



US00D723426S

(12) **United States Design Patent**
Loeb

(10) **Patent No.:** **US D723,426 S**
(45) **Date of Patent:** **** Mar. 3, 2015**

(54) **MOTOR CAR**
(71) Applicant: **GM Global Technology Operations LLC, Detroit, MI (US)**
(72) Inventor: **Niels Loeb, Wiesbaden (DE)**
(73) Assignee: **GM Global Technology Operations LLC, Detroit, MI (US)**
(**) Term: **14 Years**
(21) Appl. No.: **29/475,782**

D611,879 S 3/2010 Kim et al.
D612,297 S 3/2010 Peters et al.
D613,645 S 4/2010 Song et al.
D615,458 S 5/2010 Thompson et al.
D623,090 S 9/2010 Cox et al.
D627,262 S 11/2010 Ikeda et al.
D635,488 S 4/2011 Phipps
D644,147 S 8/2011 Suh et al.
D644,567 S 9/2011 Kozub
D646,205 S * 10/2011 Bittner et al. D12/92
D667,342 S * 9/2012 Kobayashi et al. D12/91
D668,182 S * 10/2012 Barba Franco et al. D12/92
D668,183 S 10/2012 Smart
D678,820 S 3/2013 Song et al.
D678,821 S 3/2013 Ikeda et al.

(Continued)

(22) Filed: **Dec. 6, 2013**
(30) **Foreign Application Priority Data**
Jun. 6, 2013 (EM) 002 250 803
(51) **LOC (10) Cl.** **12-08**
(52) **U.S. Cl.**
USPC **D12/92**
(58) **Field of Classification Search**
CPC B62D 35/00
USPC D12/86, 90-92; D21/421, 433, 434;
296/181.1, 181.5
See application file for complete search history.

OTHER PUBLICATIONS

Design U.S. Appl. No. 29/407,580, filed Nov. 30, 2011; First Named Inventor: Robert J. Munson; Title: Vehicle Body.

(Continued)

Primary Examiner — Melody N Brown
(74) *Attorney, Agent, or Firm* — Reising Ethington P.C.

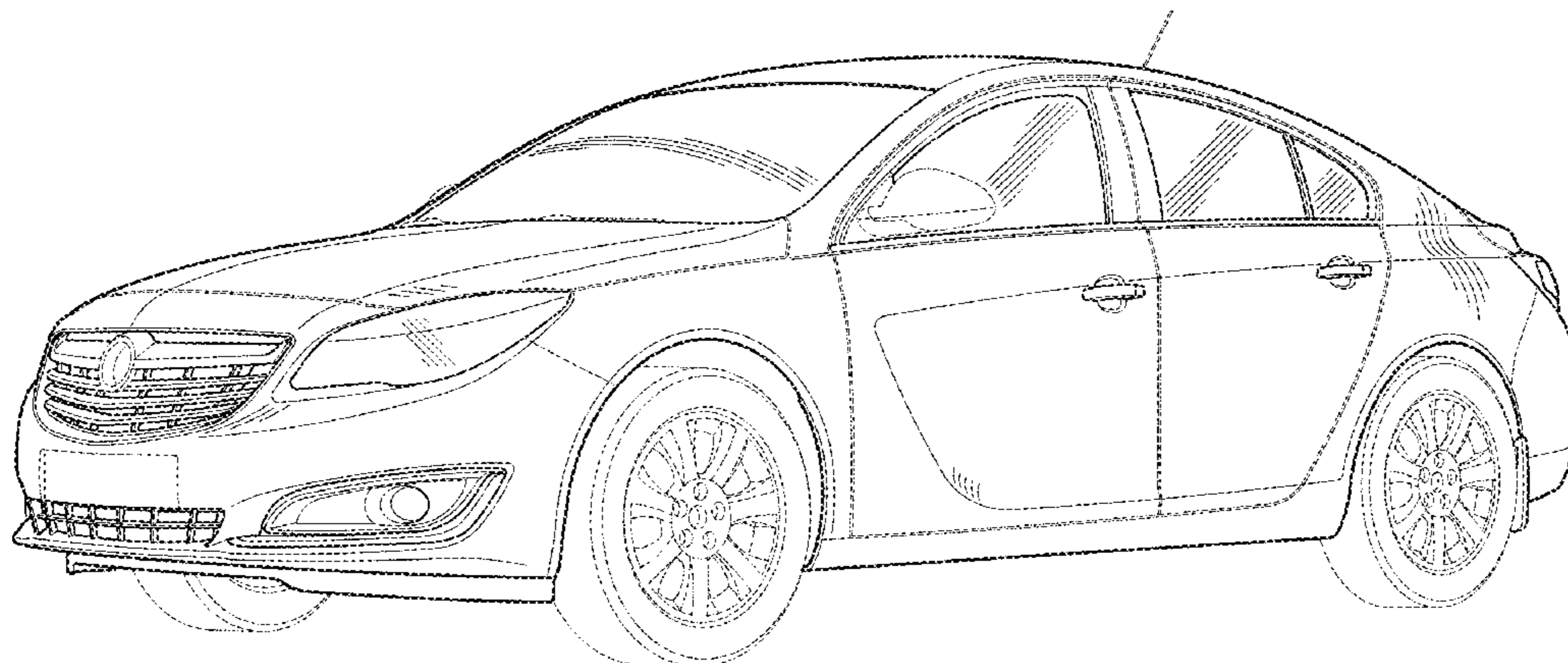
(57) **CLAIM**
The ornamental design for a motor car, as shown and described.

DESCRIPTION

FIG. 1 is a front and left side perspective view of the motor car;
FIG. 2 is a rear and right side perspective view thereof;
FIG. 3 is a front elevation view thereof;
FIG. 4 is a left side elevation view thereof;
FIG. 5 is a rear elevation view thereof;
FIG. 6 is a right side elevation view thereof; and,
FIG. 7 is a top plan view thereof.
The broken lines shown in the drawings depict portions of the motor car that form no part of the claimed design.

1 Claim, 5 Drawing Sheets

(56) **References Cited**
U.S. PATENT DOCUMENTS
D592,105 S 5/2009 Dean et al.
D597,447 S 8/2009 Folden
D603,755 S 11/2009 Peters
D605,082 S 12/2009 Munson
D605,083 S 12/2009 Manoogian, II et al.
D605,978 S 12/2009 Wolff et al.
D608,249 S 1/2010 Peters
D608,690 S 1/2010 Folden et al.
D608,691 S 1/2010 Zak, Jr. et al.
D609,608 S 2/2010 Boniface et al.
D611,387 S 3/2010 Thompson et al.



(56)

References Cited

U.S. PATENT DOCUMENTS

D683,269 S * 5/2013 Fuchigami et al. D12/92
D684,900 S * 6/2013 Doyle et al. D12/92
D686,536 S 7/2013 McCabe et al.
D699,630 S * 2/2014 Abe et al. D12/92

OTHER PUBLICATIONS

Design U.S. Appl. No. 29/409,092, filed Dec. 20, 2011; First Named Inventor: Nicholas J. David; Title: Vehicle Body.
Design U.S. Appl. No. 29/413,221, filed Feb. 13, 2012; First Named Inventor: Joseph C. Baker; Title: Vehicle Body.
Design U.S. Appl. No. 29/414,260, filed Feb. 27, 2012; First Named Inventor: Steven M. McCabe; Title: Vehicle Body.
Design U.S. Appl. No. 29/416,870, filed Mar. 28, 2012; First Named Inventor: Joshua L. Thurber; Title: Vehicle Body.

Design U.S. Appl. No. 29/417,143, filed Mar. 30, 2012; First Named Inventor: Andrew D. Smith; Title: Vehicle Body.
Design U.S. Appl. No. 29/435,107, filed Oct. 19, 2012; First Named Inventor: John H. Ware; Title: Vehicle Body Exterior.
Design U.S. Appl. No. 29/435,113, filed Oct. 19, 2012; First Named Inventor: John H. Ware; Title: Vehicle Body Exterior.
Design U.S. Appl. No. 29/437,463, filed Nov. 16, 2012; First Named Inventor: Niels Loeb; Title: Motor Car.
Design U.S. Appl.No. 29/440,876, filed Dec. 28, 2012; First Named Inventor: John P. Mack; Title: Vehicle Body Exterior.
Design U.S. Appl. No. 29/450,700, filed Mar. 21, 2013; First Named Inventor: Andrew Dyson; Title: Motor Car.
Design U.S. Appl. No. 29/451,178, filed Mar. 28, 2013; First Named Inventor: Richard Fulvio Ferlazzo; Title: Vehicle Body Exterior.
Design U.S. Appl. No. 29/471,417, filed Oct. 31, 2013; First Named Inventor: Robin Krieg; Title: Vehicle Body Exterior.

* cited by examiner

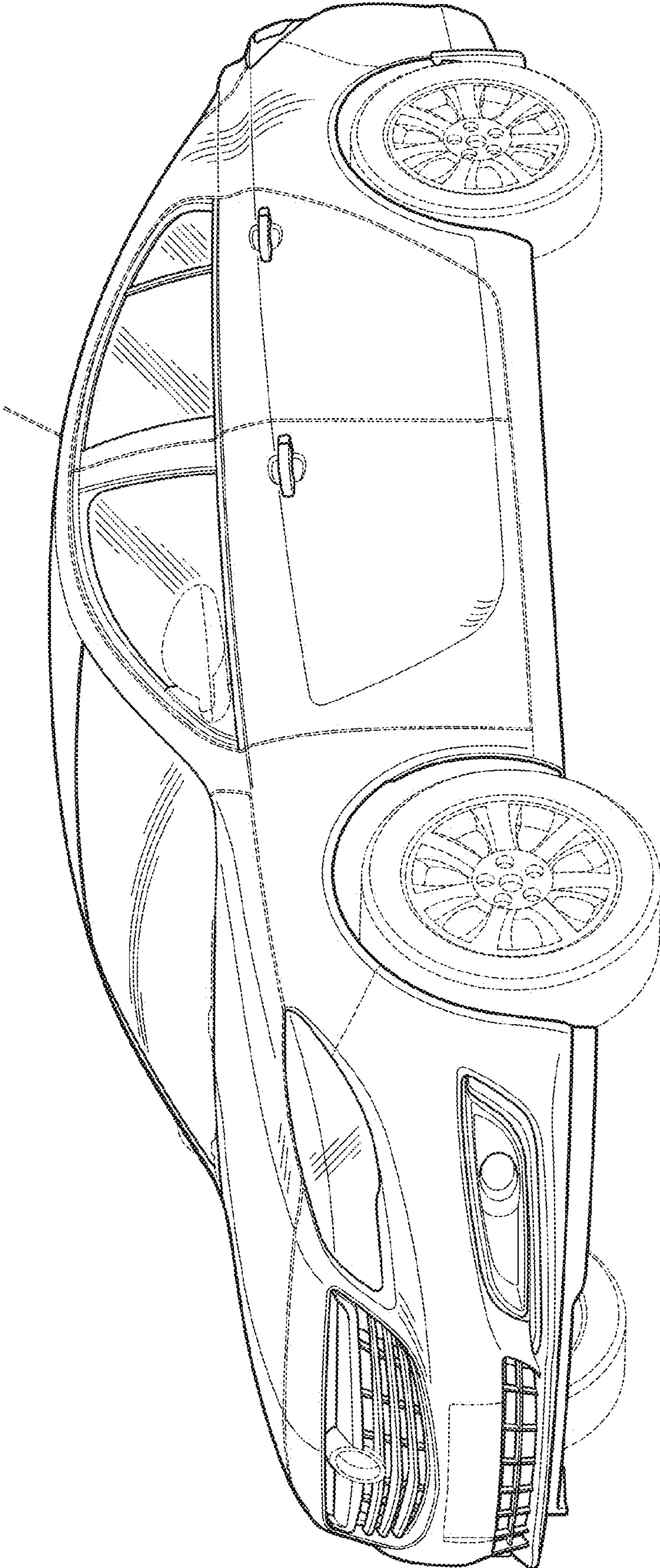


FIG. 1

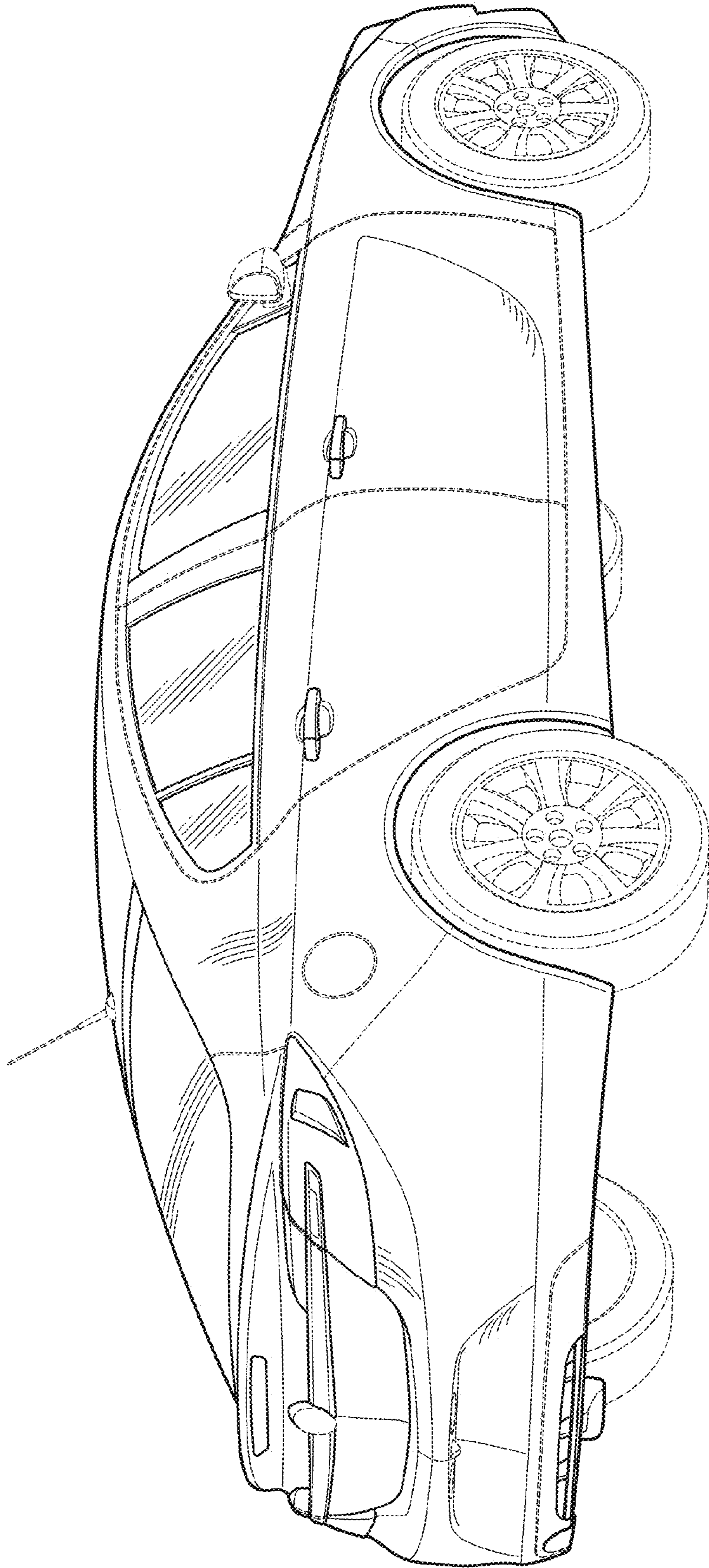


FIG. 2

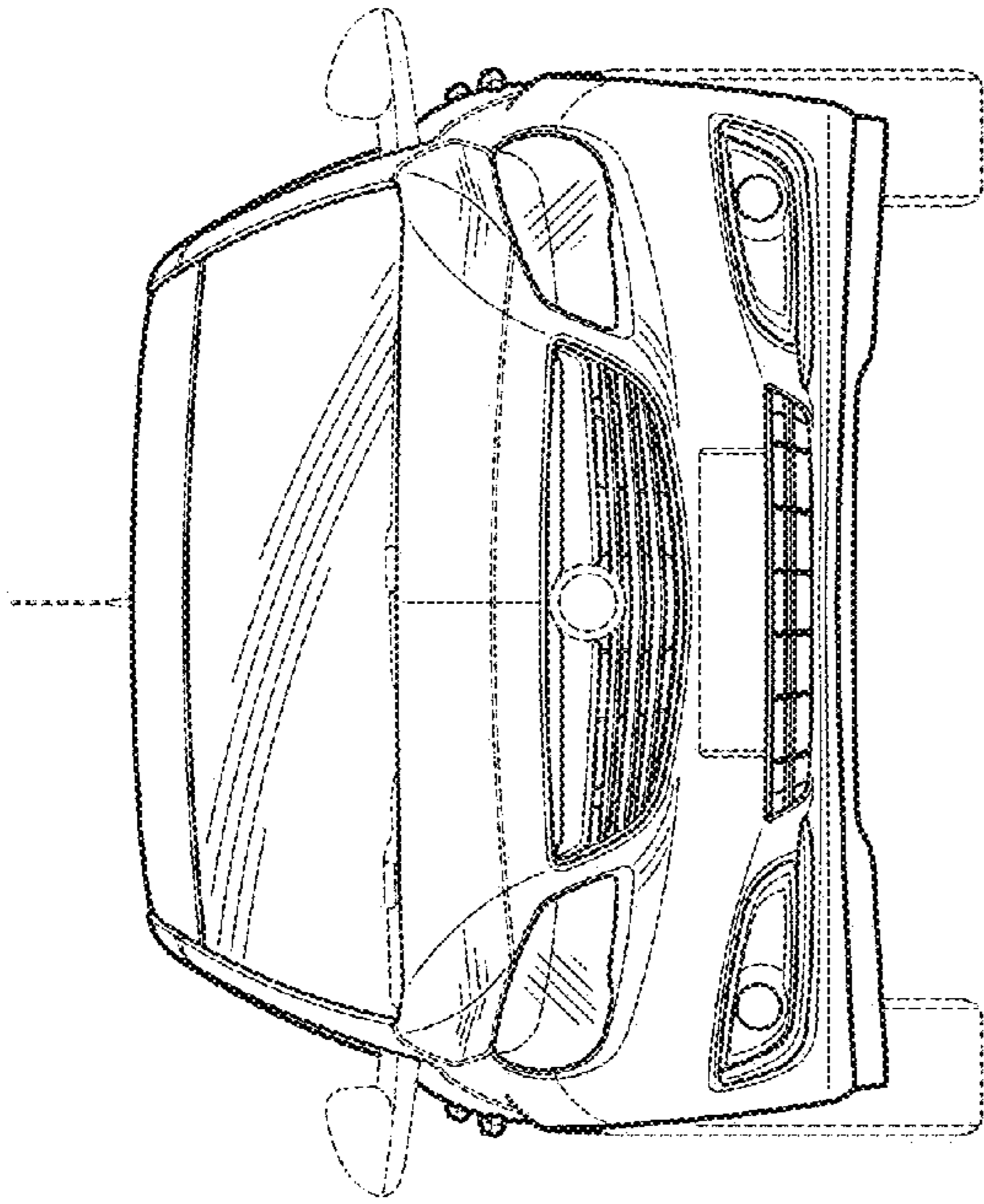


FIG. 3

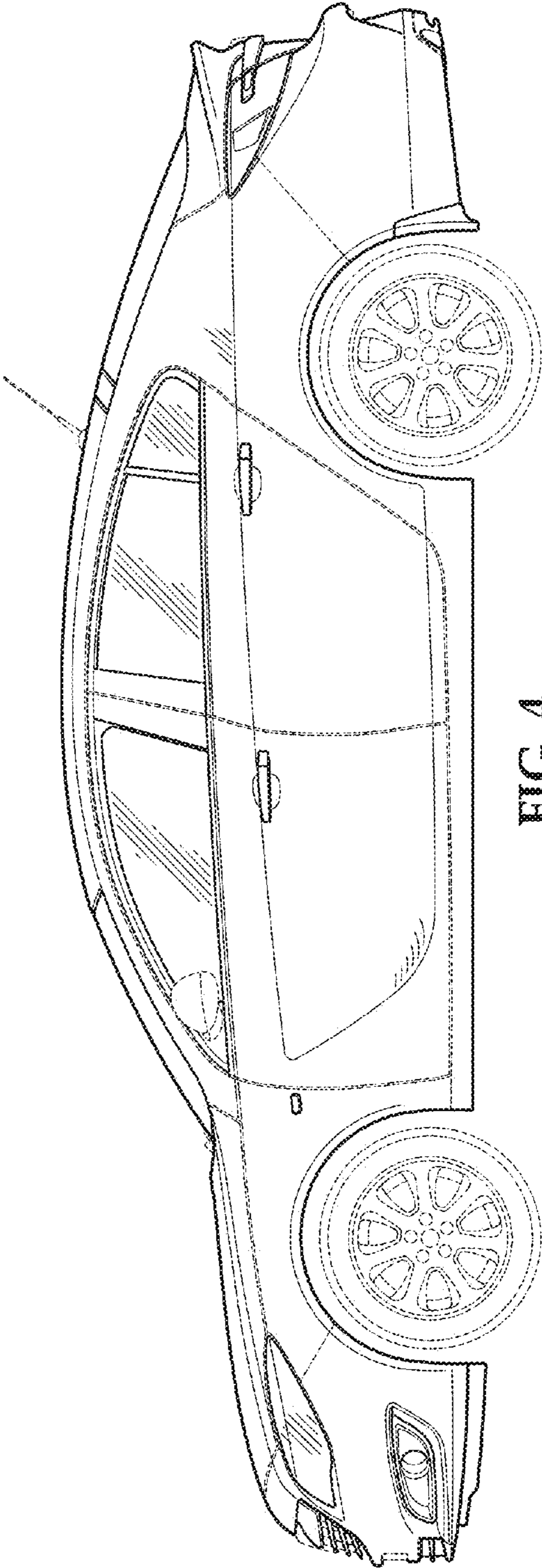


FIG. 4

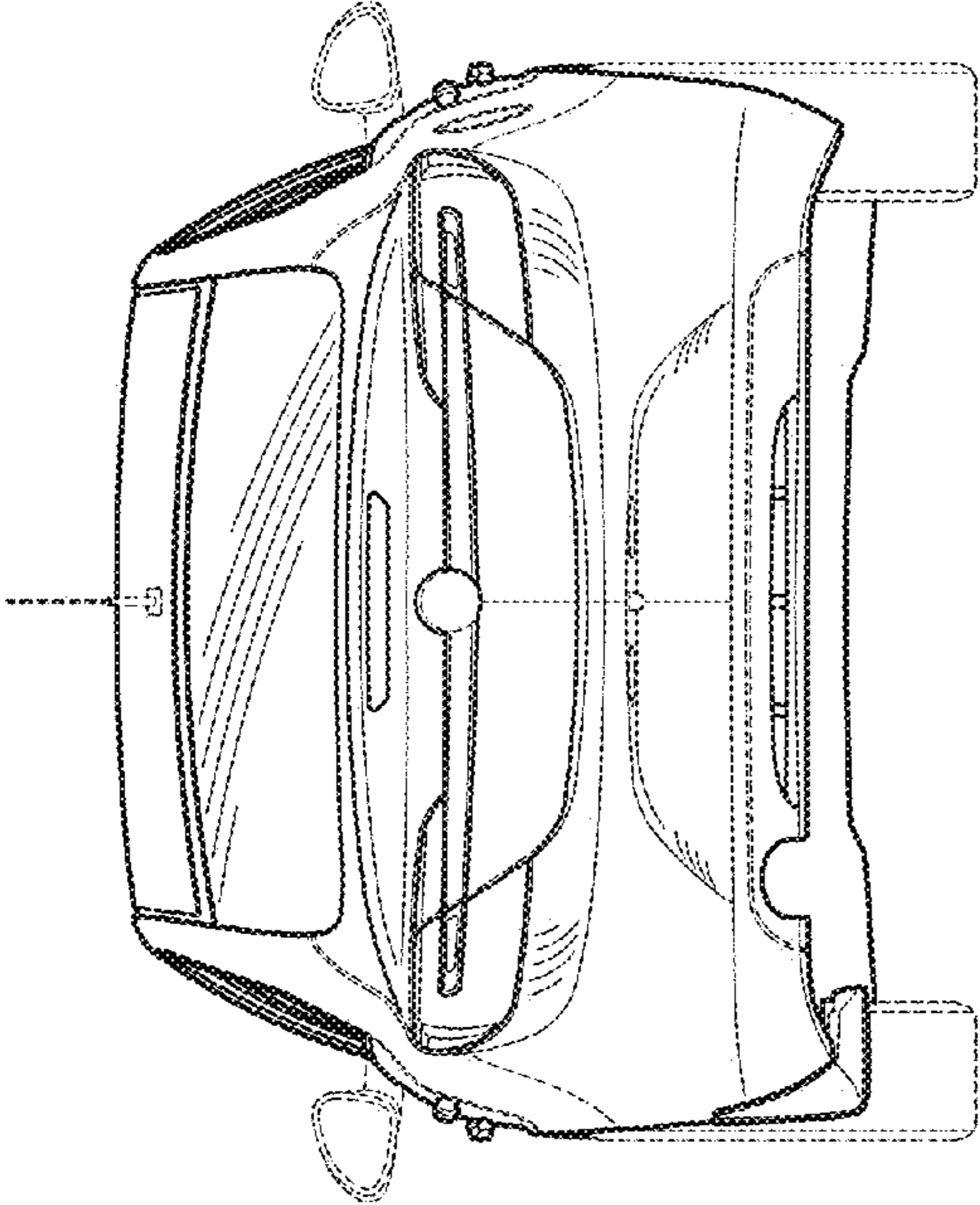


FIG. 5

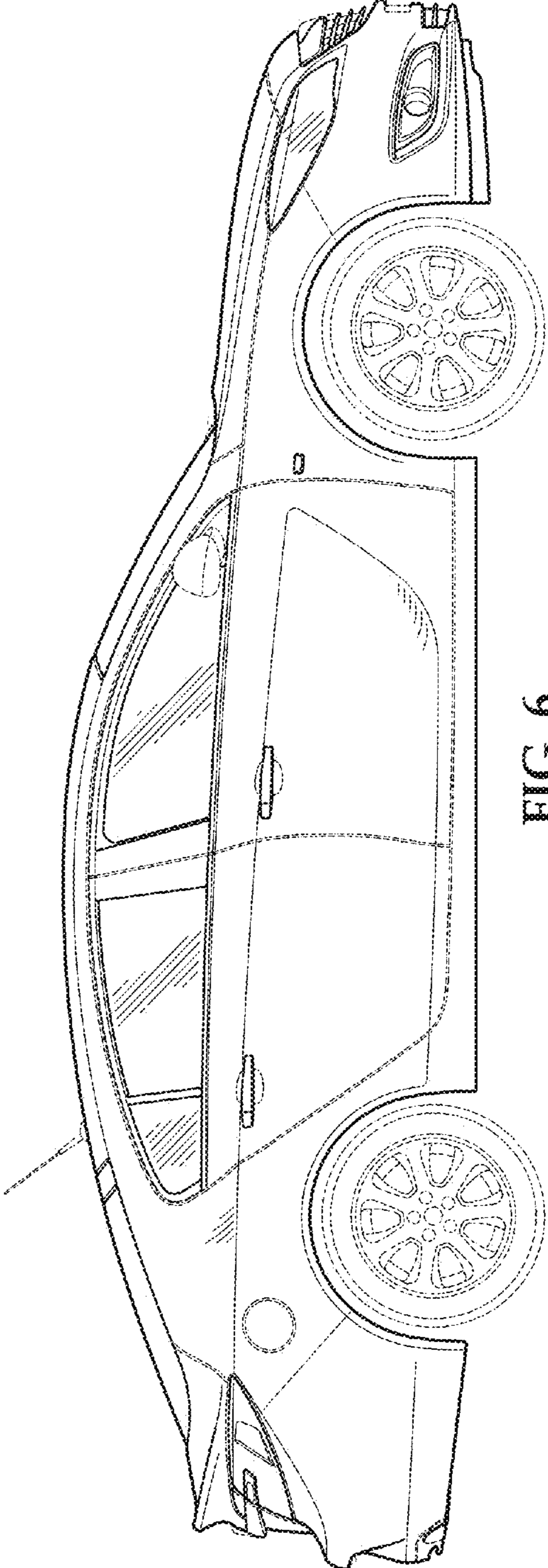


FIG. 6

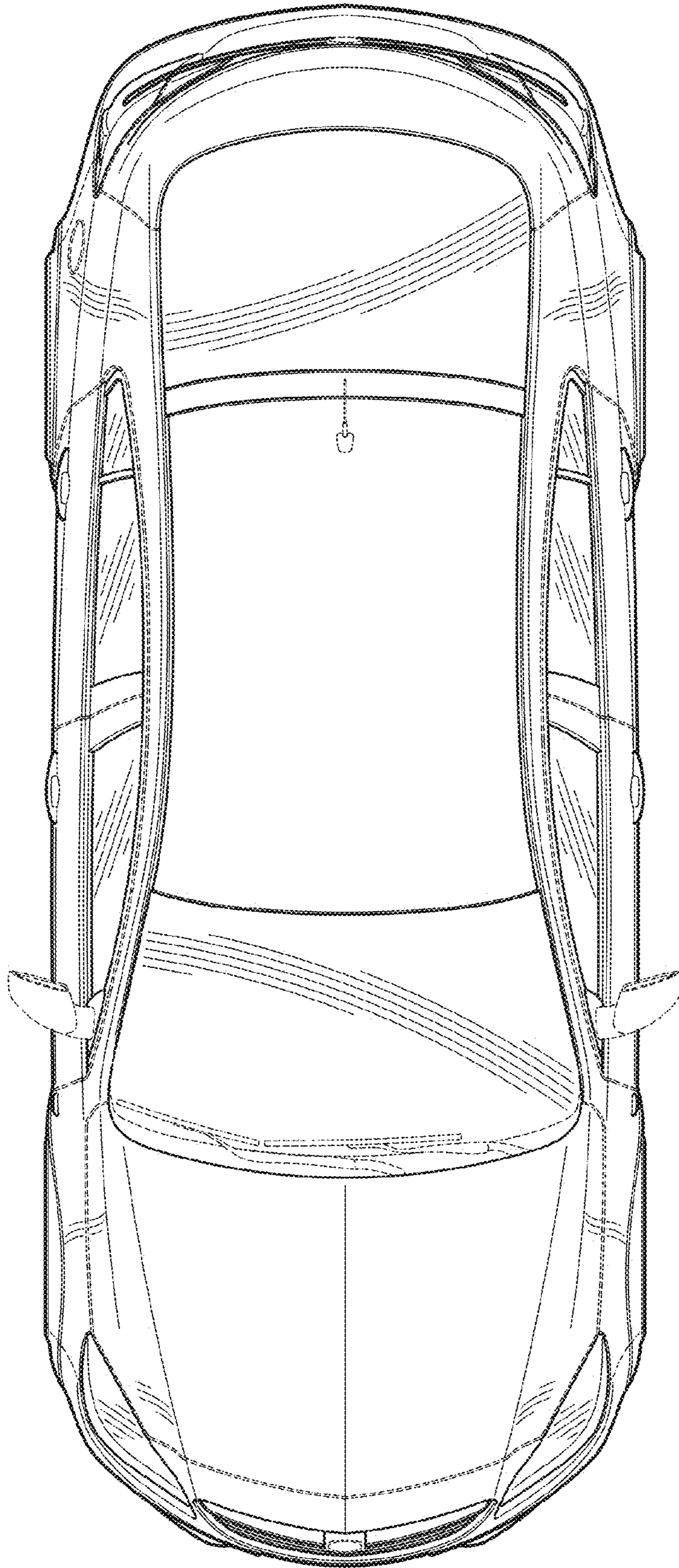


FIG. 7