



US00D723425S

(12) **United States Design Patent**
Glover et al.

(10) **Patent No.:** **US D723,425 S**
(45) **Date of Patent:** **** Mar. 3, 2015**

(54) **AUTOMOBILE EXTERIOR**

(71) Applicants: **Jeremy Glover**, Auburn Hills, MI (US);
Brian Nielander, Royal Oak, MI (US);
Mark T Allen, Oxford, MI (US)

(72) Inventors: **Jeremy Glover**, Auburn Hills, MI (US);
Brian Nielander, Royal Oak, MI (US);
Mark T Allen, Oxford, MI (US)

(73) Assignee: **Chrysler Group LLC**, Auburn Hills, MI (US)

(**) Term: **14 Years**

(21) Appl. No.: **29/482,350**

(22) Filed: **Feb. 18, 2014**

(51) **LOC (10) Cl.** **12-08**

(52) **U.S. Cl.**
USPC **D12/91**

(58) **Field of Classification Search**
CPC B62D 35/00; B62D 25/00; B62D 25/06;
B62D 33/00
USPC D12/86, 90-92; D21/421, 433, 434;
296/181.1, 181.5

See application file for complete search history.

(56) **References Cited**

U.S. PATENT DOCUMENTS

D454,813 S	3/2002	Boniface et al.	
D534,097 S	12/2006	Renkert et al.	
D534,458 S	1/2007	Renkert et al.	
D551,124 S	9/2007	Aneiros et al.	
D650,721 S	* 12/2011	Galante et al.	D12/91
D661,231 S	* 6/2012	Galante et al.	D12/163
D693,737 S	* 11/2013	Hammoud et al.	D12/91
D711,784 S	* 8/2014	Galante et al.	D12/91

* cited by examiner

Primary Examiner — Melody N Brown

(74) *Attorney, Agent, or Firm* — Ralph E. Smith

(57) **CLAIM**

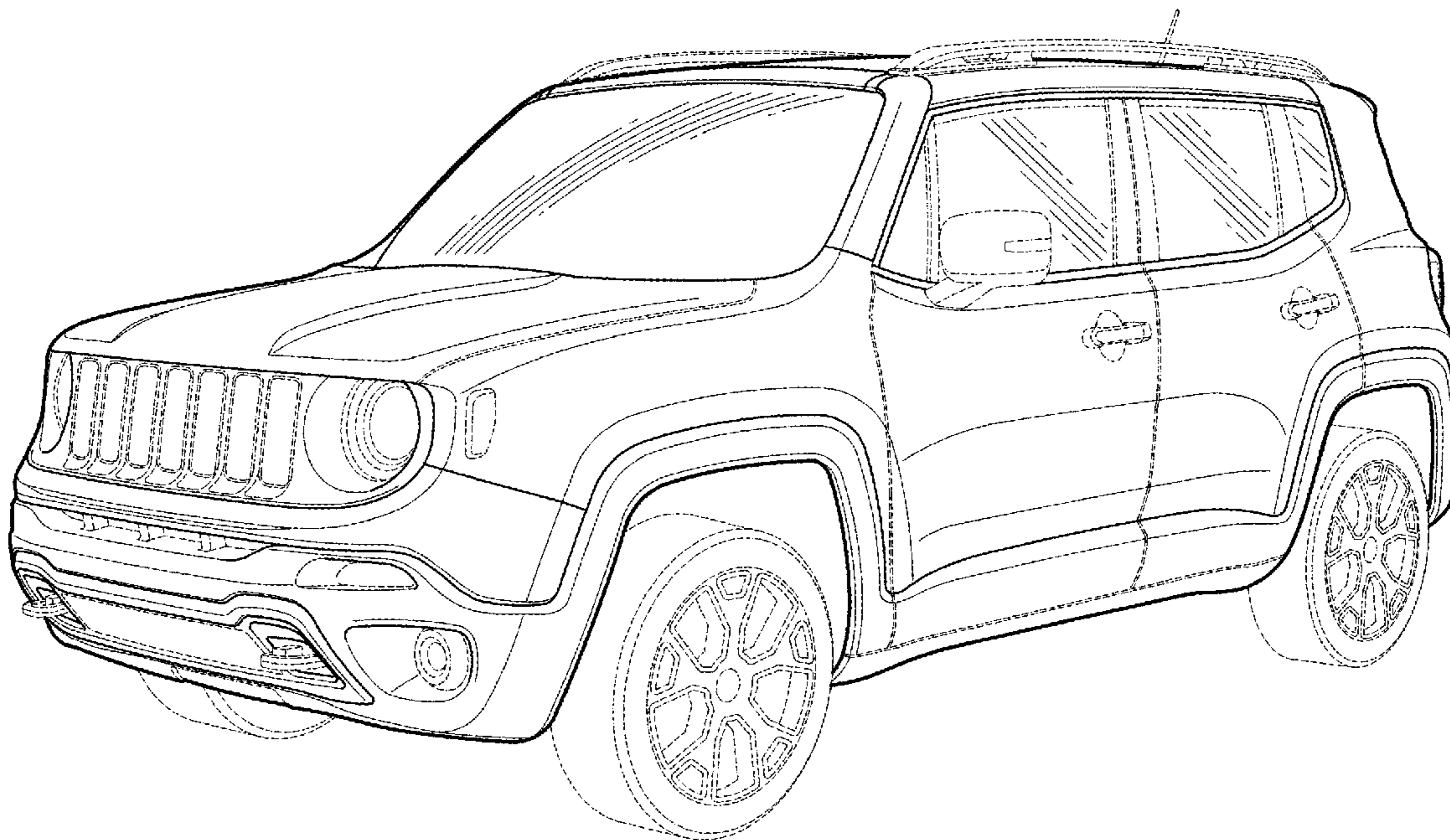
The ornamental design for an automobile exterior, as shown and described.

DESCRIPTION

FIG. 1 is a front perspective view of an automobile exterior showing our new design;
FIG. 2 is a rear perspective view thereof;
FIG. 3 is a top plan view thereof;
FIG. 4 is a left side view thereof;
FIG. 5 is a right side view thereof;
FIG. 6 is a front view thereof; and,
FIG. 7 is a rear view thereof.

It will be understood that the broken lines shown in the drawings illustrate portions of the automobile exterior that form no part of claimed design.

1 Claim, 6 Drawing Sheets



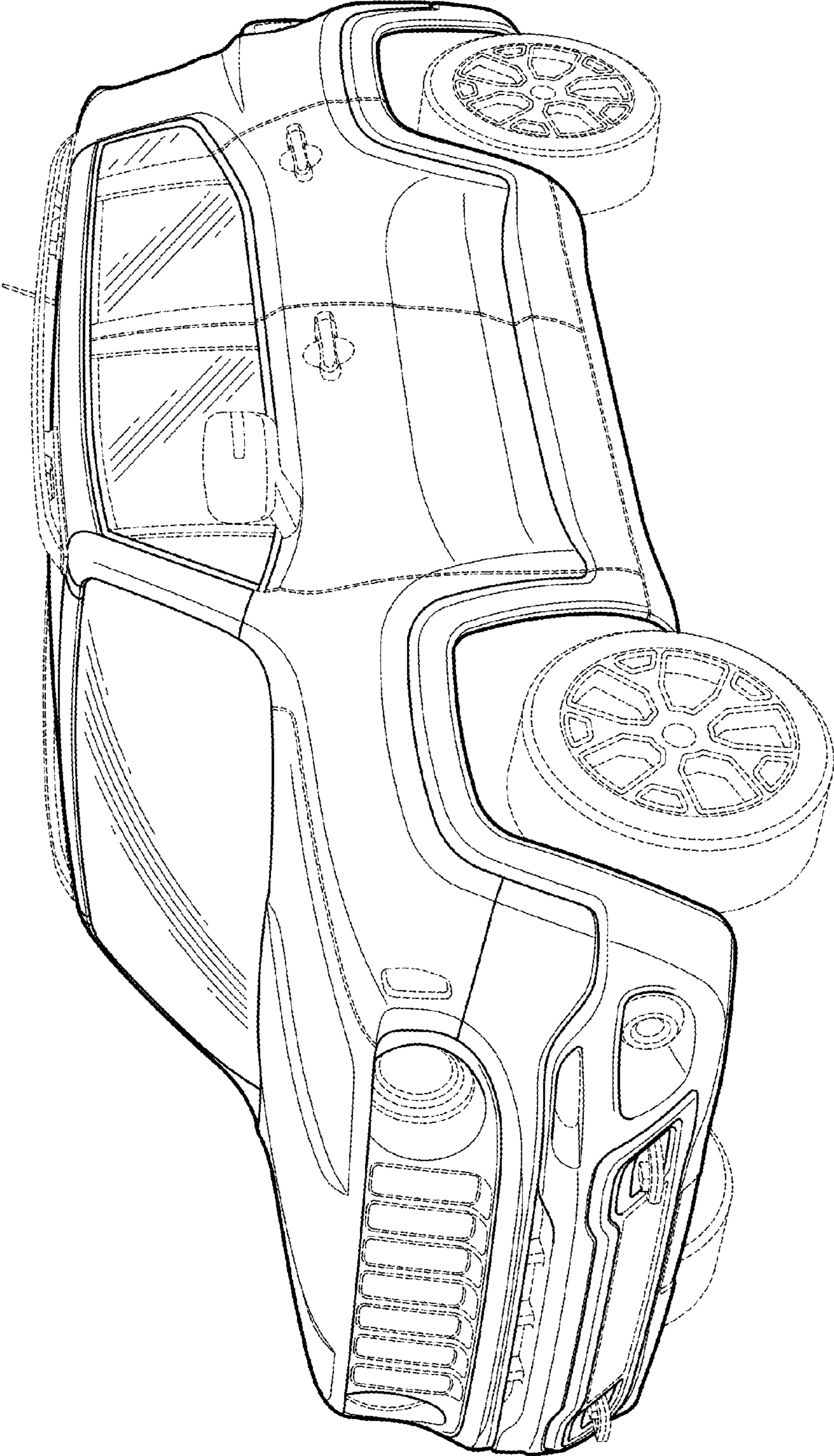


FIG. 1

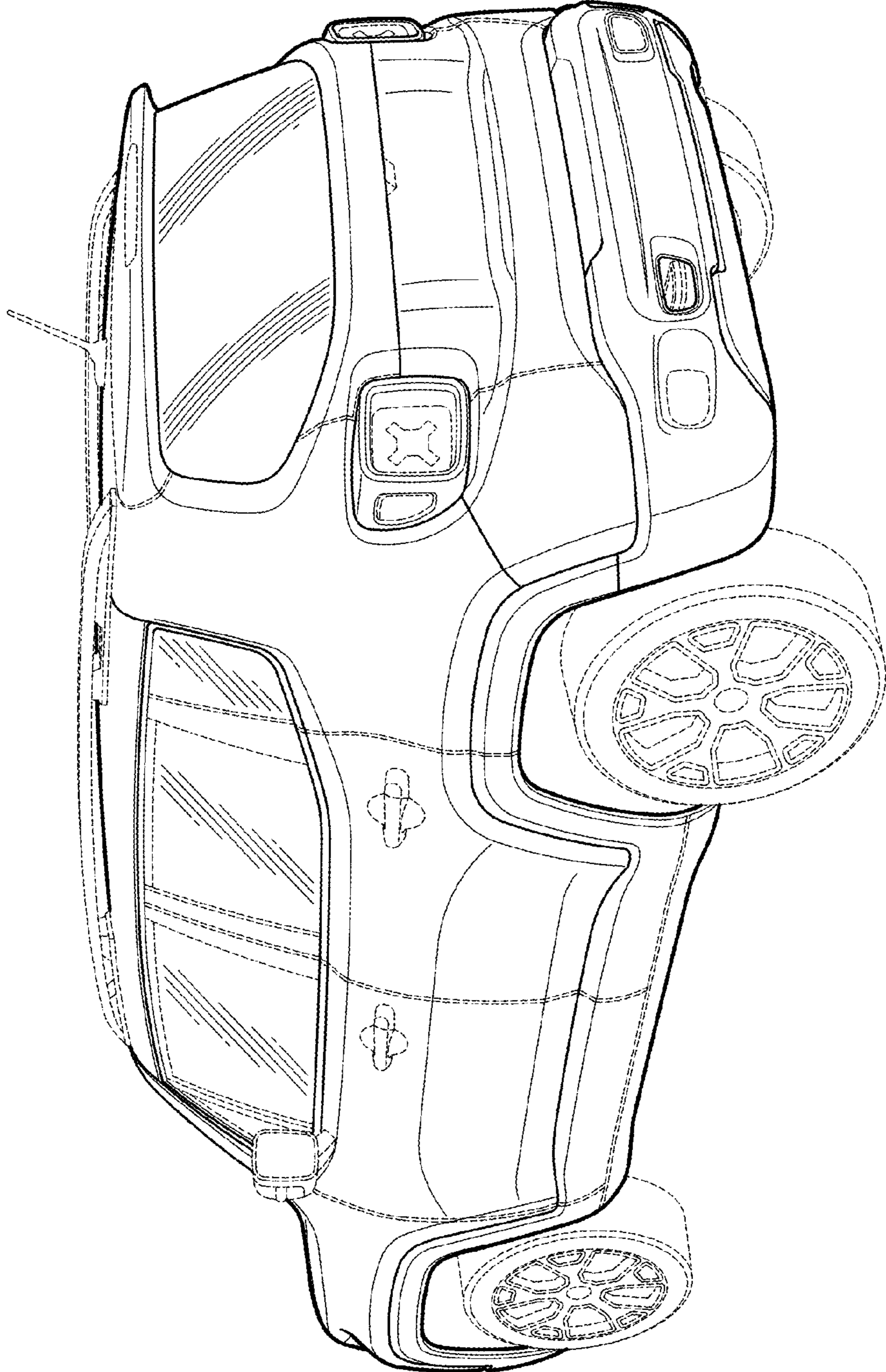


FIG. 2

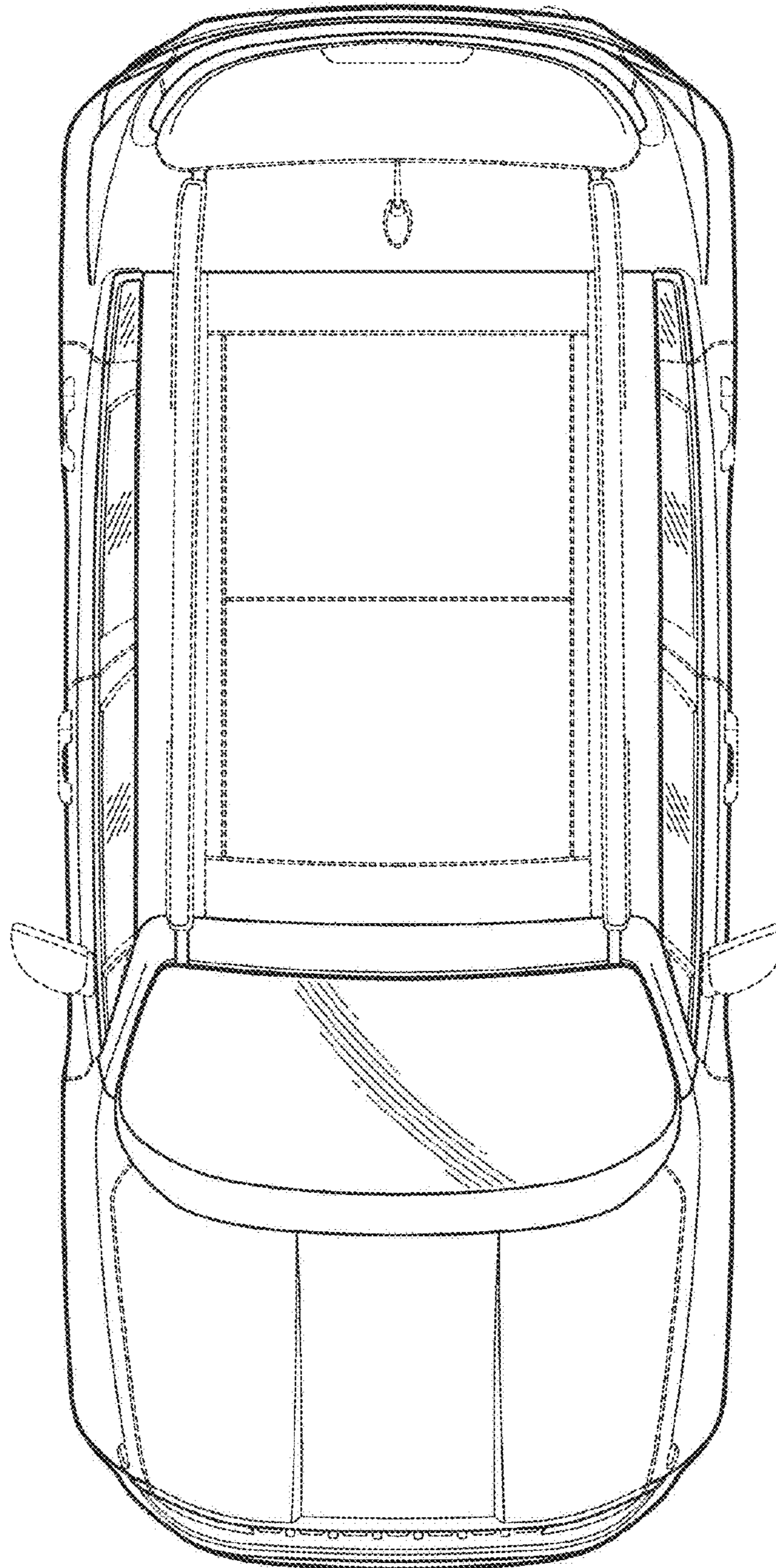


FIG. 3

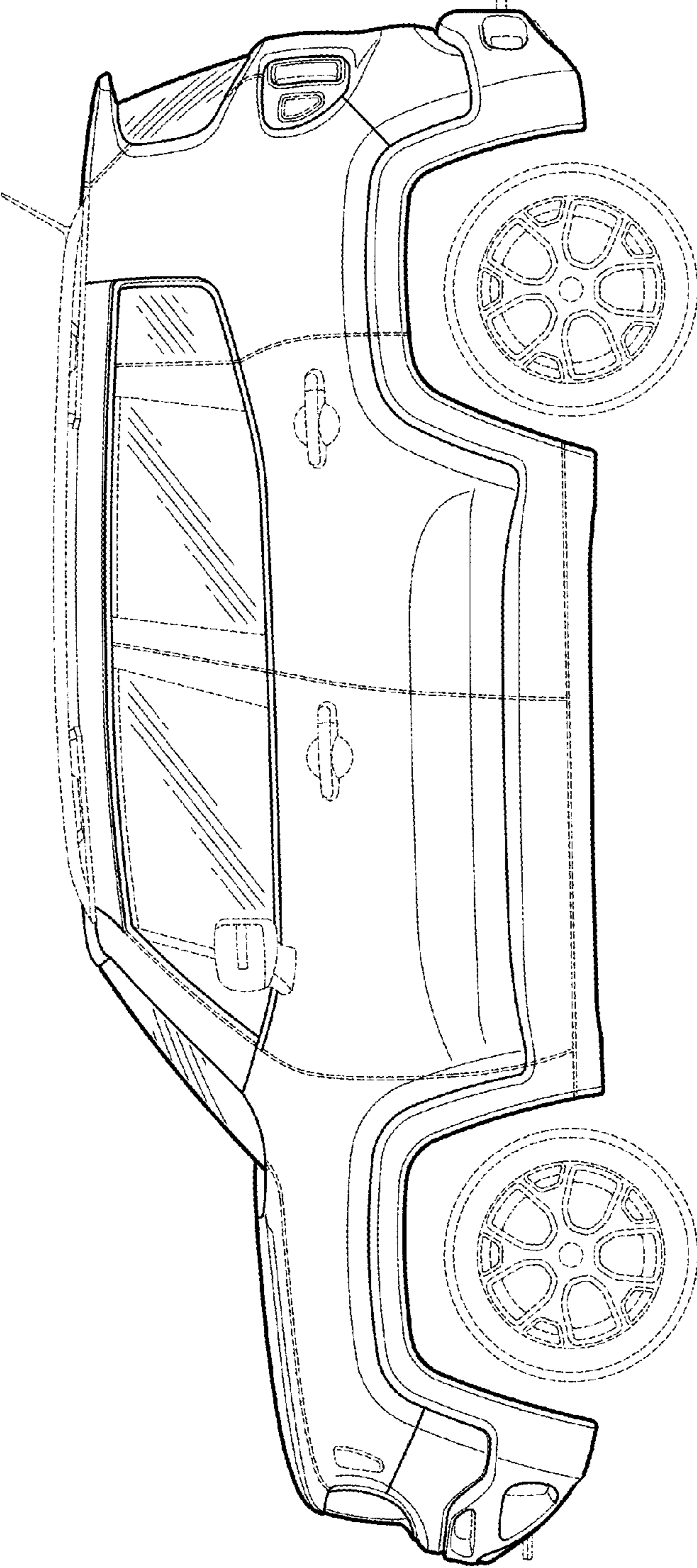


FIG. 4

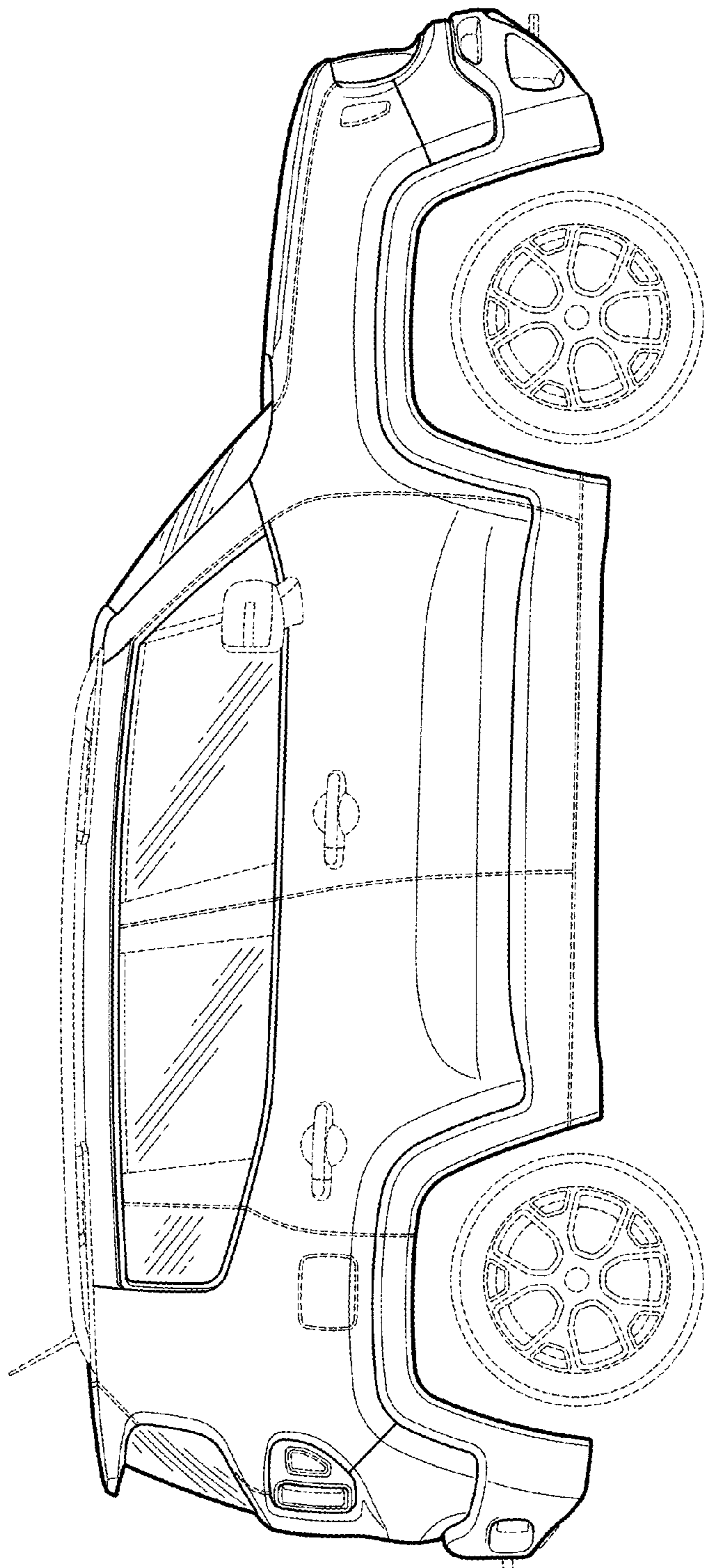


FIG. 5

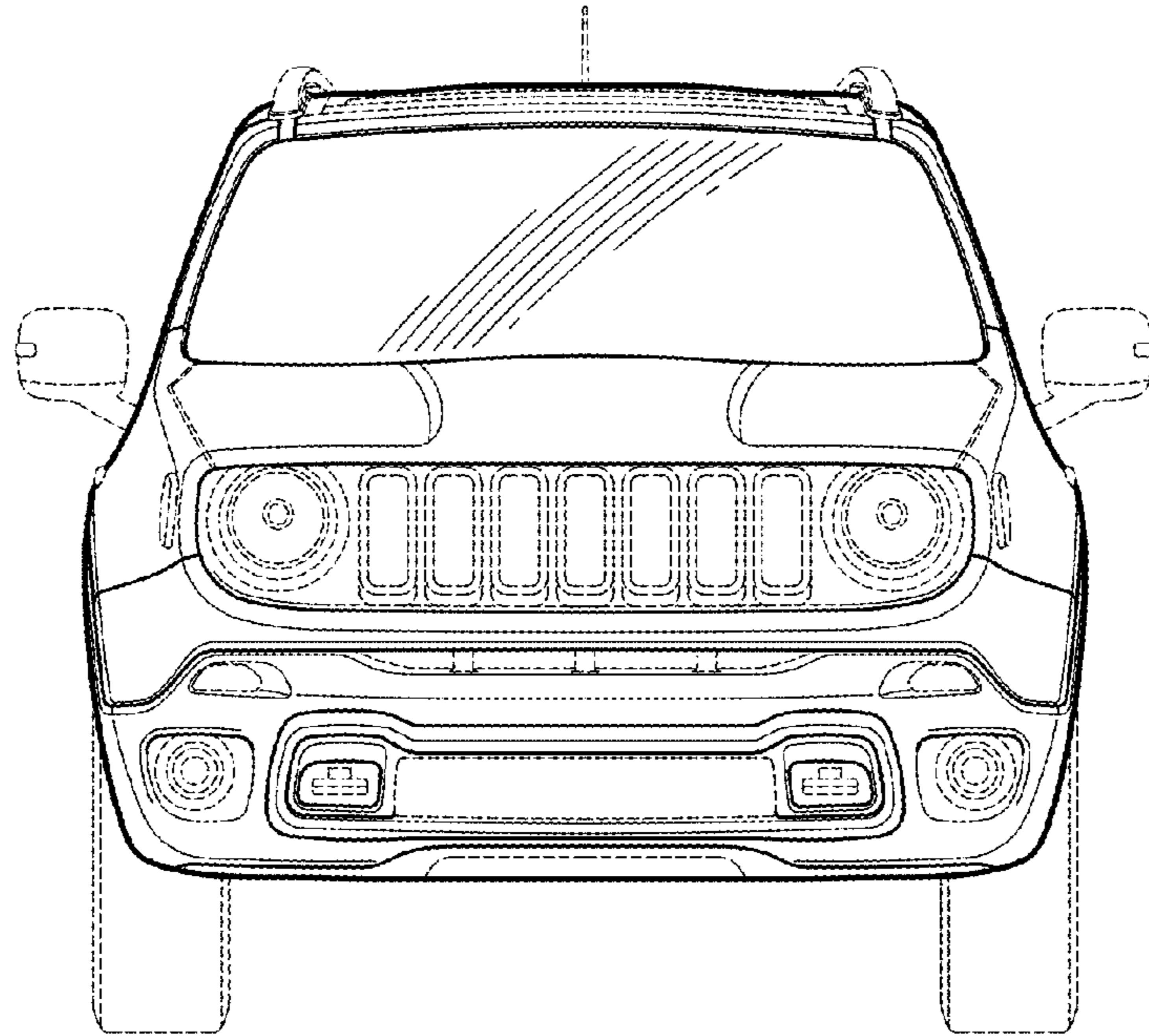


FIG. 6

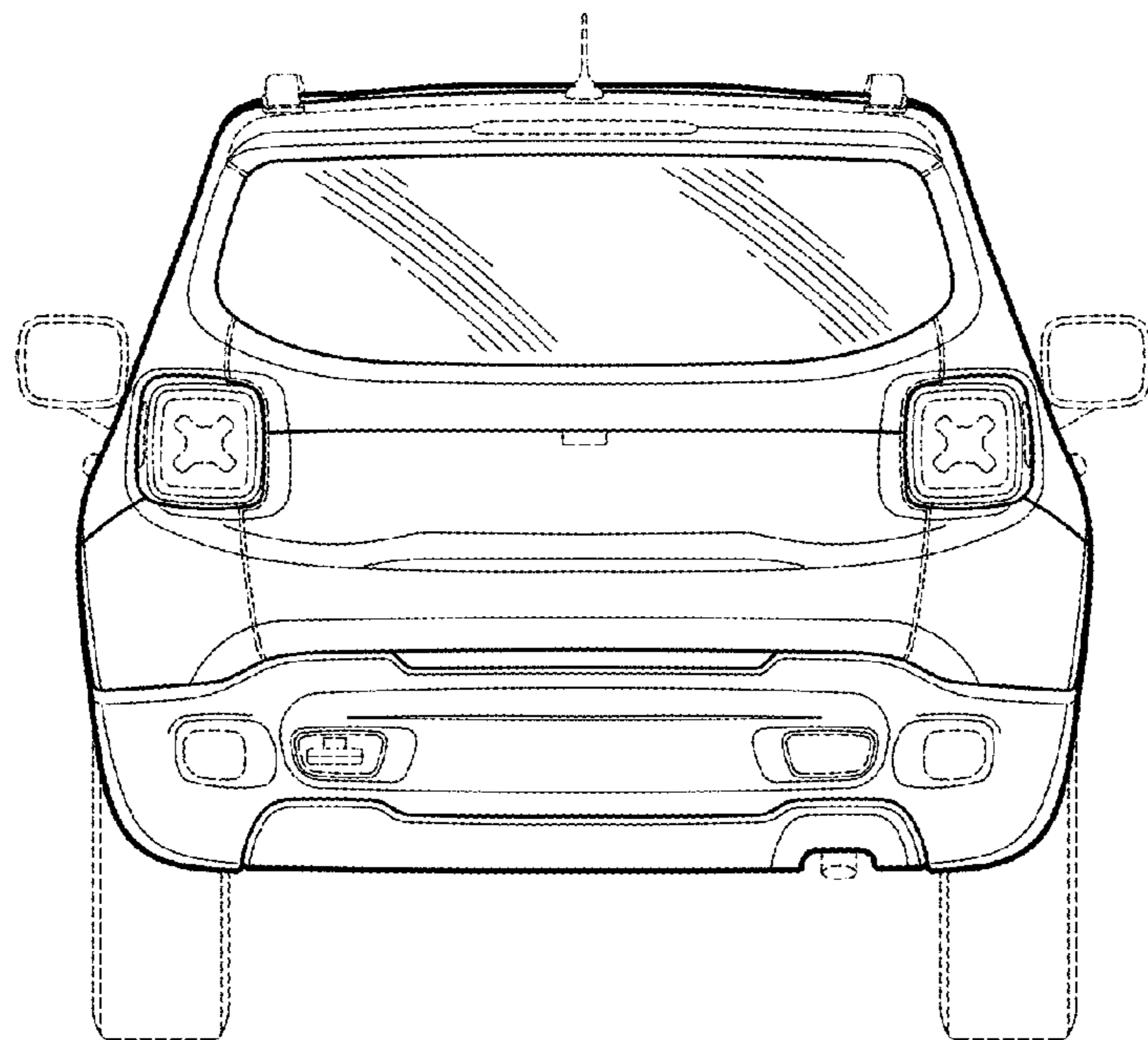


FIG. 7