



US00D723424S

(12) **United States Design Patent**
Panoz

(10) **Patent No.:** **US D723,424 S**
(45) **Date of Patent:** **** Mar. 3, 2015**

- (54) **STREET CAR**
- (71) Applicant: **Delta Wing, LLC**, Indianapolis, IN (US)
- (72) Inventor: **Donald E. Panoz**, Braselton, GA (US)
- (73) Assignee: **Delta Wing Project 56 LLC**,
Indianapolis, IN (US)
- (**) Term: **14 Years**
- (21) Appl. No.: **29/478,771**
- (22) Filed: **Jan. 8, 2014**
- (51) **LOC (10) Cl.** **12-08**
- (52) **U.S. Cl.**
USPC **D12/86**
- (58) **Field of Classification Search**
CPC B62D 35/00
USPC D12/86, 90-92, 87, 88; D21/421, 433,
D21/434; 296/181.1, 181.5
See application file for complete search history.

- D668,581 S * 10/2012 Kim et al. D12/86
- D692,799 S * 11/2013 Smith et al. D12/92
- D705,702 S * 5/2014 Auerbach et al. D12/92

* cited by examiner

Primary Examiner — Melody N Brown

(74) *Attorney, Agent, or Firm* — Bose McKinney & Evans
LLP

(57) **CLAIM**

The ornamental design for a street car, as shown and described.

DESCRIPTION

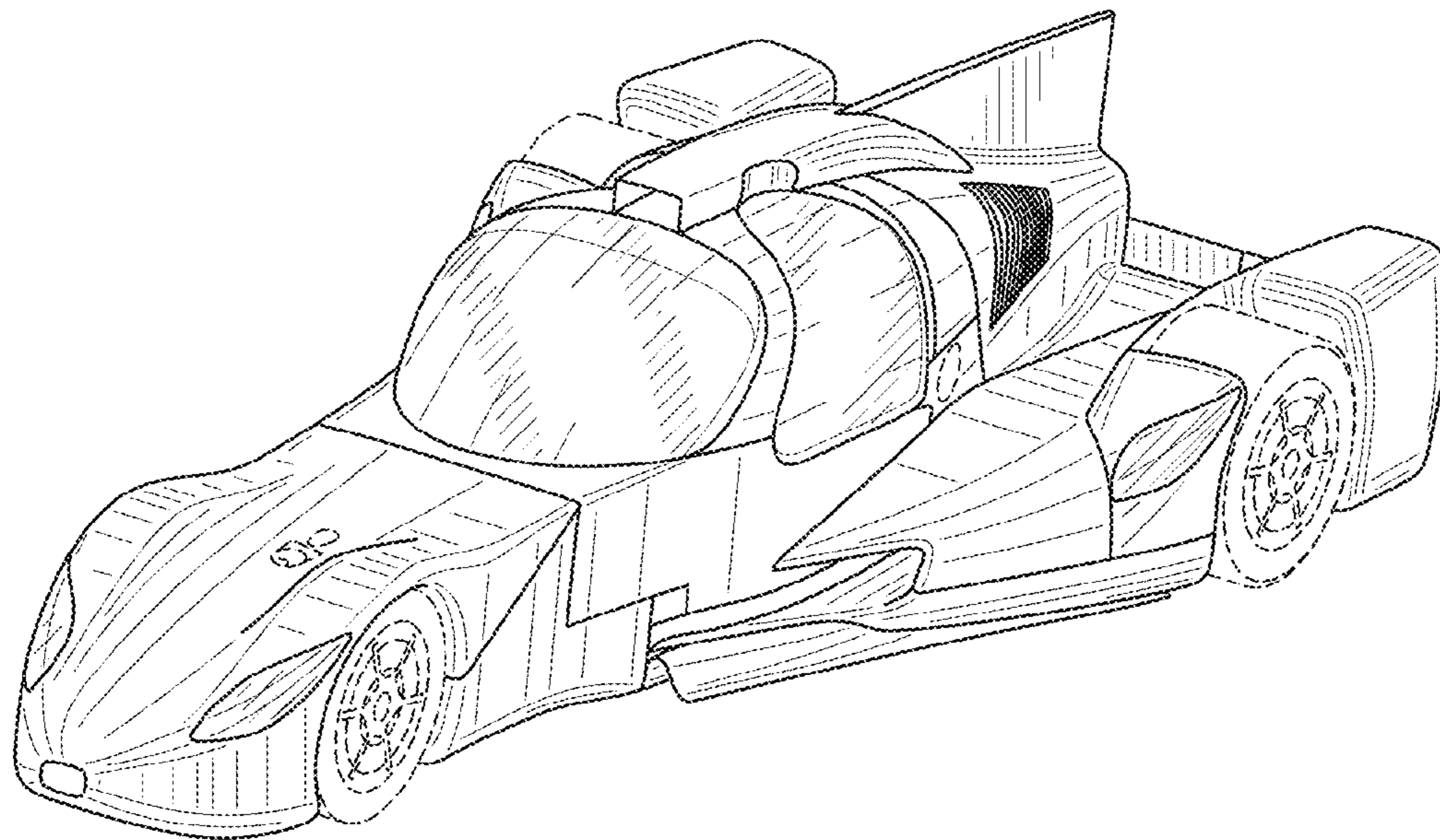
FIG. 1 is a front perspective view of a street car, illustrating the novel design;
 FIG. 2 is a left side view of the street car design of FIG. 1;
 FIG. 3 is a front elevation view of the street car design of FIG. 1;
 FIG. 4 is a rear view of the street car design of FIG. 1; and,
 FIG. 5 is a top view of the street car design of FIG. 1.
 The broken lines in the drawings are for illustrative purposes only and form no part of the claimed design.

1 Claim, 4 Drawing Sheets

(56) **References Cited**

U.S. PATENT DOCUMENTS

- D451,051 S * 11/2001 Walters D12/86
- D620,393 S * 7/2010 Arnell D12/86



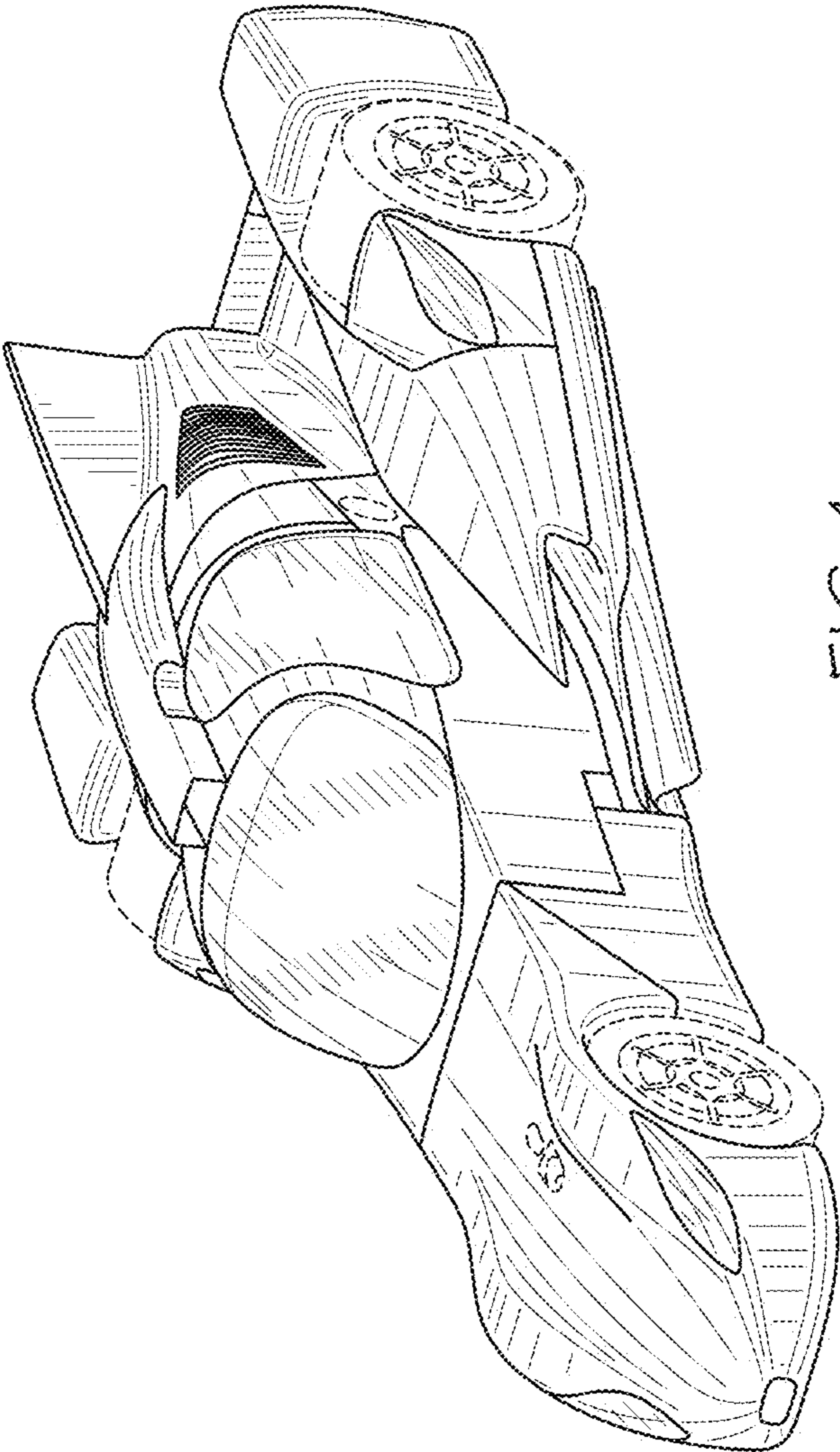


FIG. 1

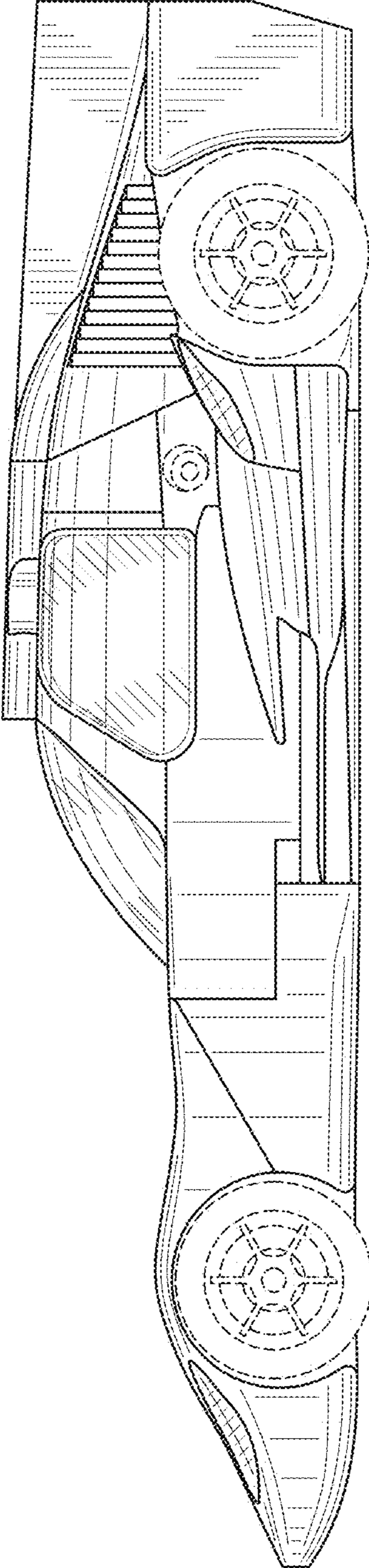


FIG. 2

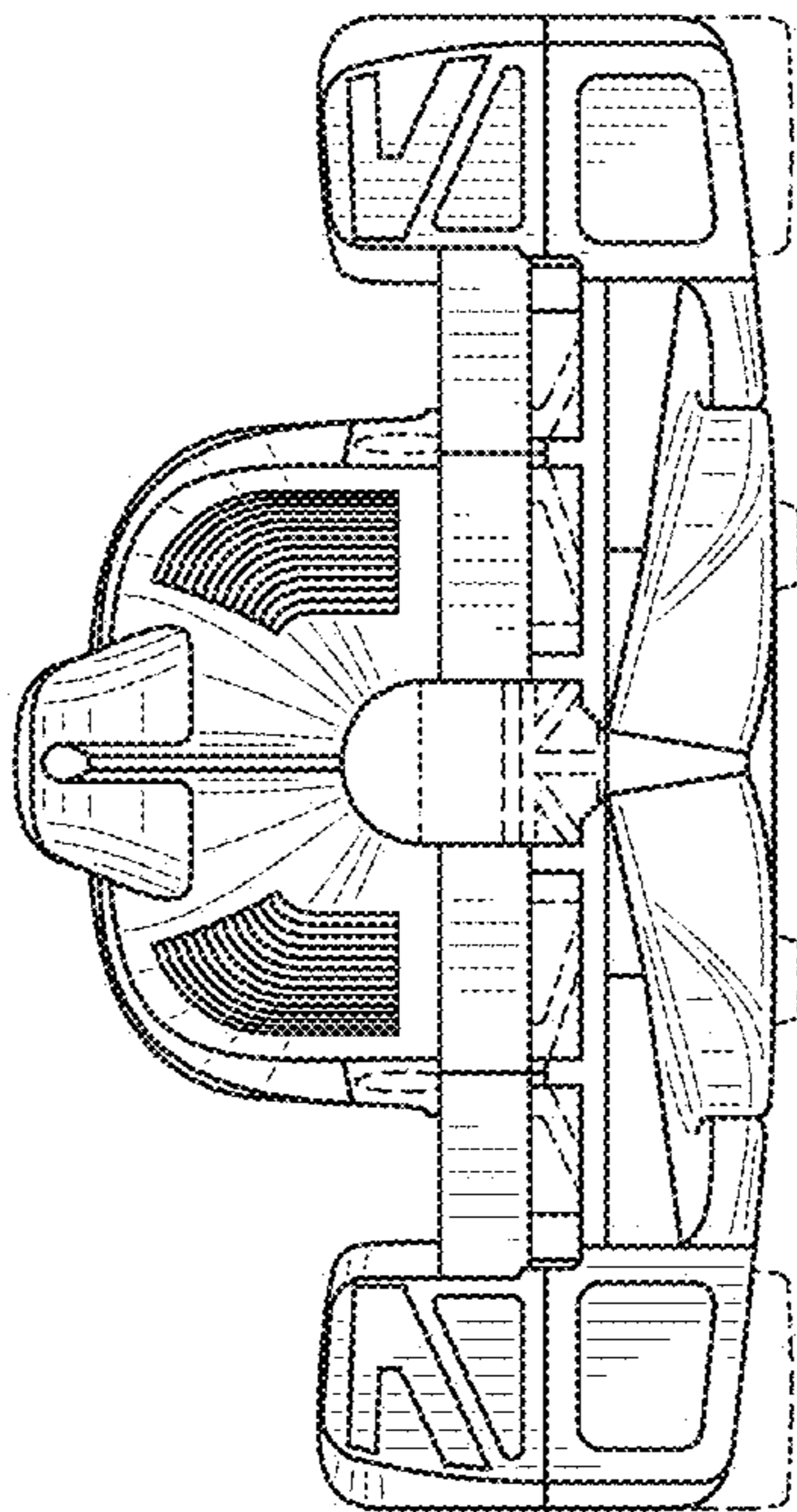


FIG. 4

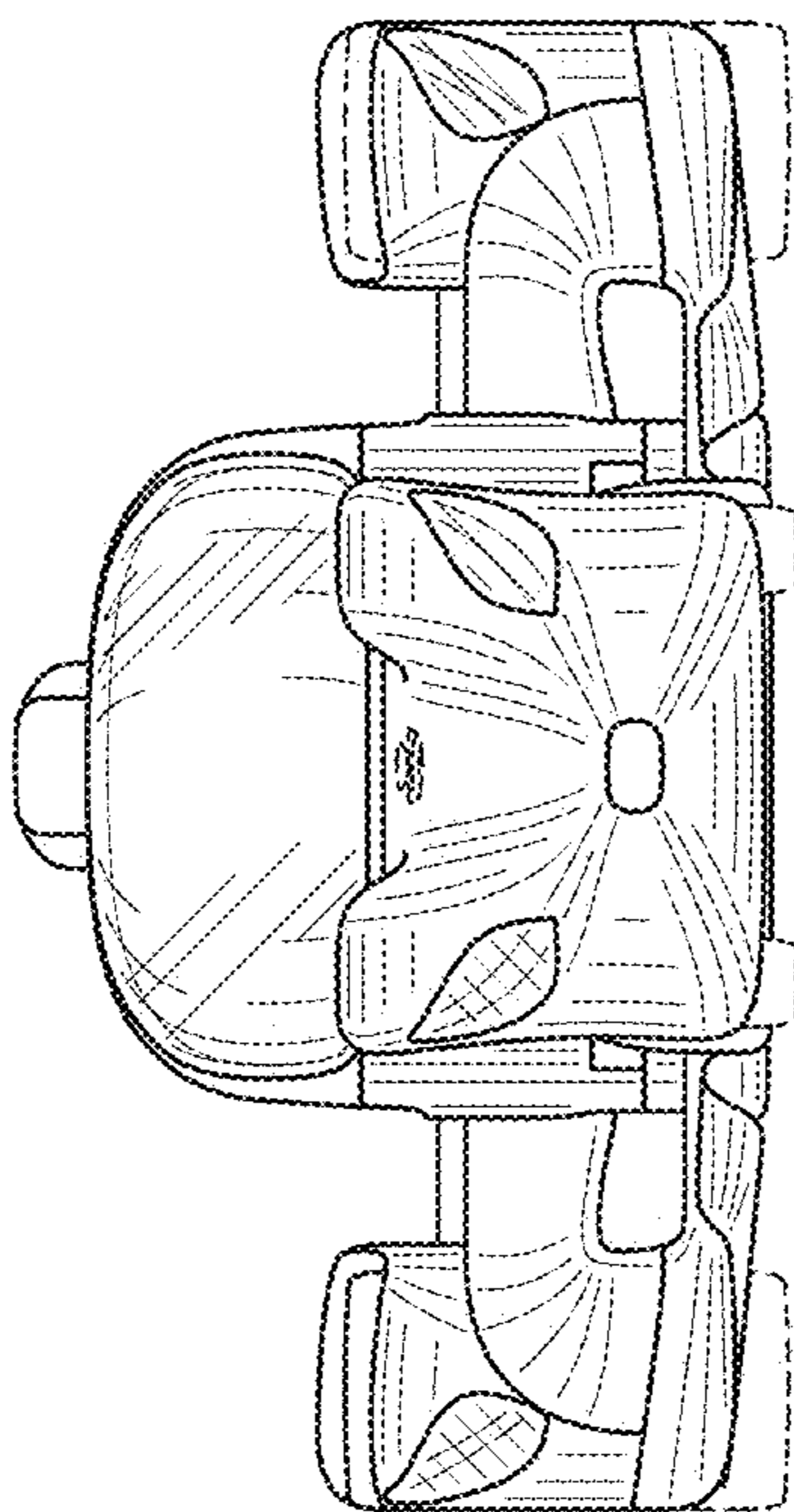


FIG. 3

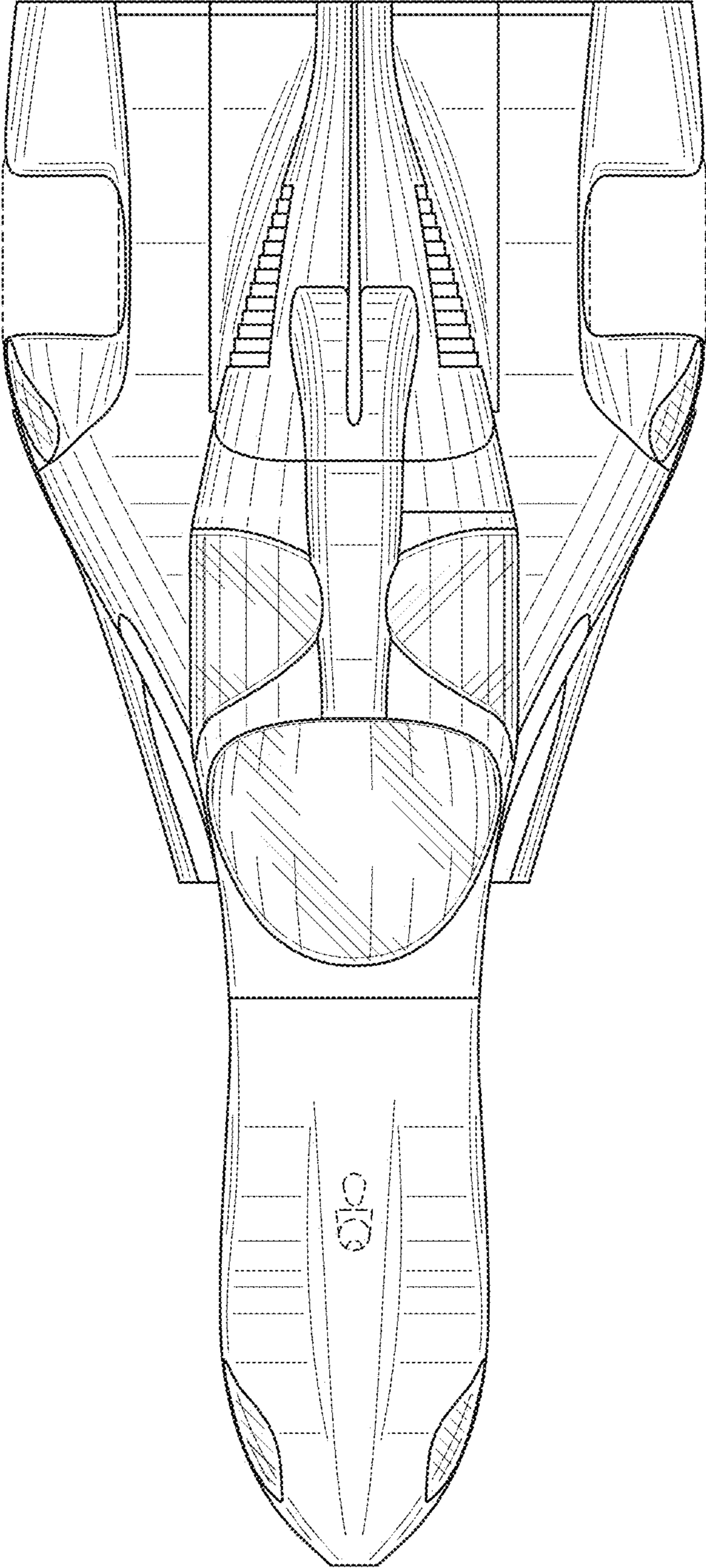


FIG. 5