



US00D723423S

(12) **United States Design Patent**
Bock

(10) **Patent No.:** **US D723,423 S**
(45) **Date of Patent:** **** Mar. 3, 2015**

(54) **SLED**

(71) Applicant: **Bock Machining GmbH**,
Niederdorfelden (DE)
(72) Inventor: **Stefan Bock**, Grossostheim (DE)
(73) Assignee: **bock machining GmbH**,
Niederdorfelden (DE)

(**) Term: **14 Years**
(21) Appl. No.: **29/495,756**

(22) Filed: **Jul. 3, 2014**

(30) **Foreign Application Priority Data**

Jan. 20, 2014 (DE) 001399760-0001
Jan. 20, 2014 (DE) 001399760-0002

(51) **LOC (10) Cl.** **12-14**
(52) **U.S. Cl.**
USPC **D12/6**

(58) **Field of Classification Search**
USPC D12/1, 5-11, 101; D21/302, 425, 483,
D21/767, 211, 828, 830, 831, 832, 814;
280/26, 8, 16, 19, 18, 20, 24
See application file for complete search history.

(56) **References Cited**

U.S. PATENT DOCUMENTS

D202,639 S * 10/1965 Holcomb D12/10
D224,688 S * 8/1972 Schneider D12/9
4,542,908 A * 9/1985 Muyskens 280/22.1
6,619,675 B1 * 9/2003 Clark 280/21.1
7,559,558 B2 * 7/2009 Luhr et al. 280/16

* cited by examiner

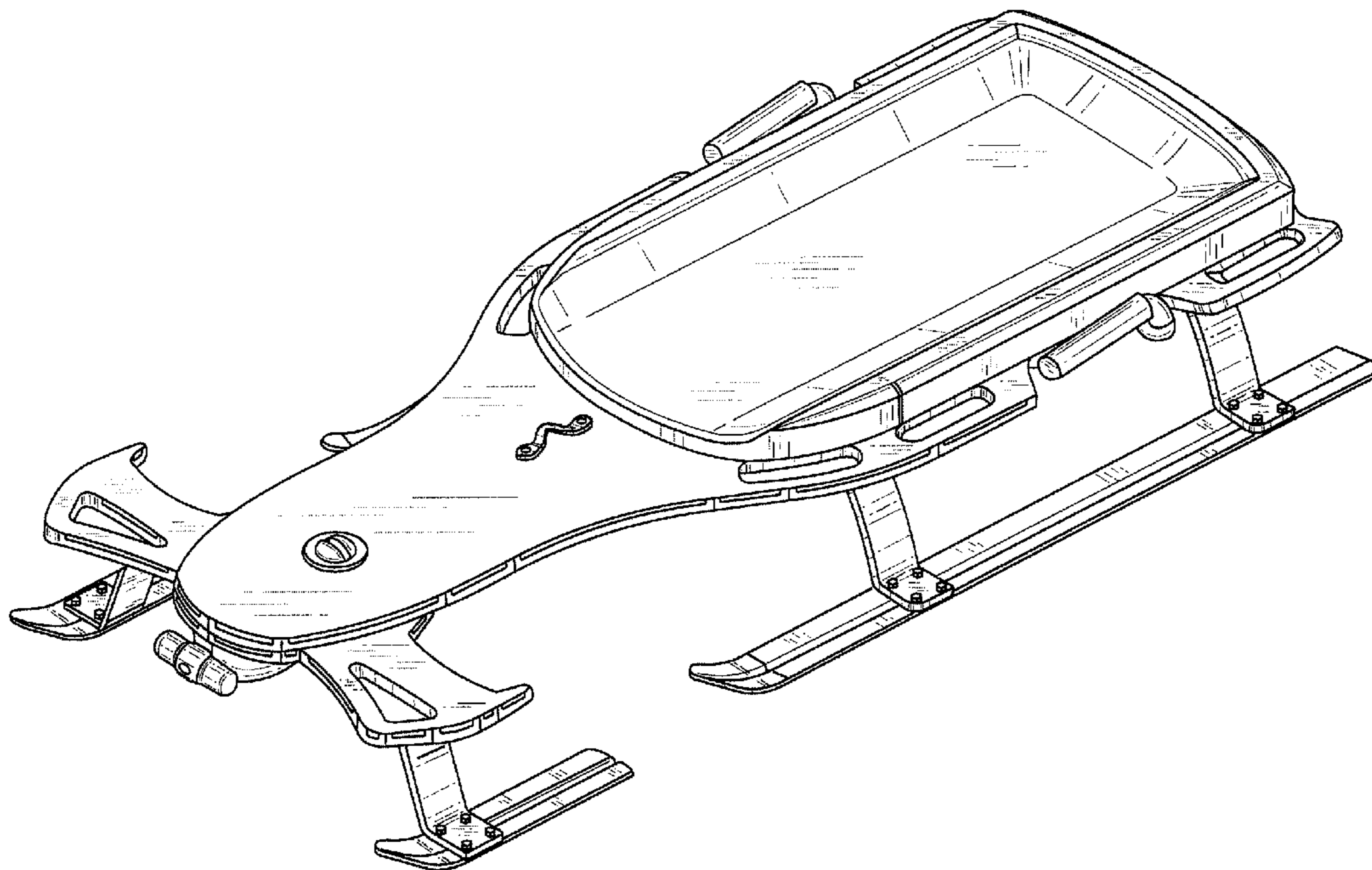
Primary Examiner — T. Chase Nelson
Assistant Examiner — Ania Aman
(74) *Attorney, Agent, or Firm* — Greenblum & Bernstein,
P.L.C.

(57) **CLAIM**
I claim the ornamental design for a sled, as shown and
described:

DESCRIPTION

FIG. 1 is a perspective top view of an embodiment of the sled;
FIG. 2 is a perspective top view of a second embodiment of
the sled with a strap;
FIG. 3 is a top view of the sled of FIG. 2;
FIG. 4 is a bottom view of the sled of FIG. 2;
FIG. 5 is a right-side view of the sled of FIG. 2;
FIG. 6 is a bottom perspective view of the sled of FIG. 2; and,
FIG. 7 is a front view of the sled of FIG. 2.

1 Claim, 7 Drawing Sheets



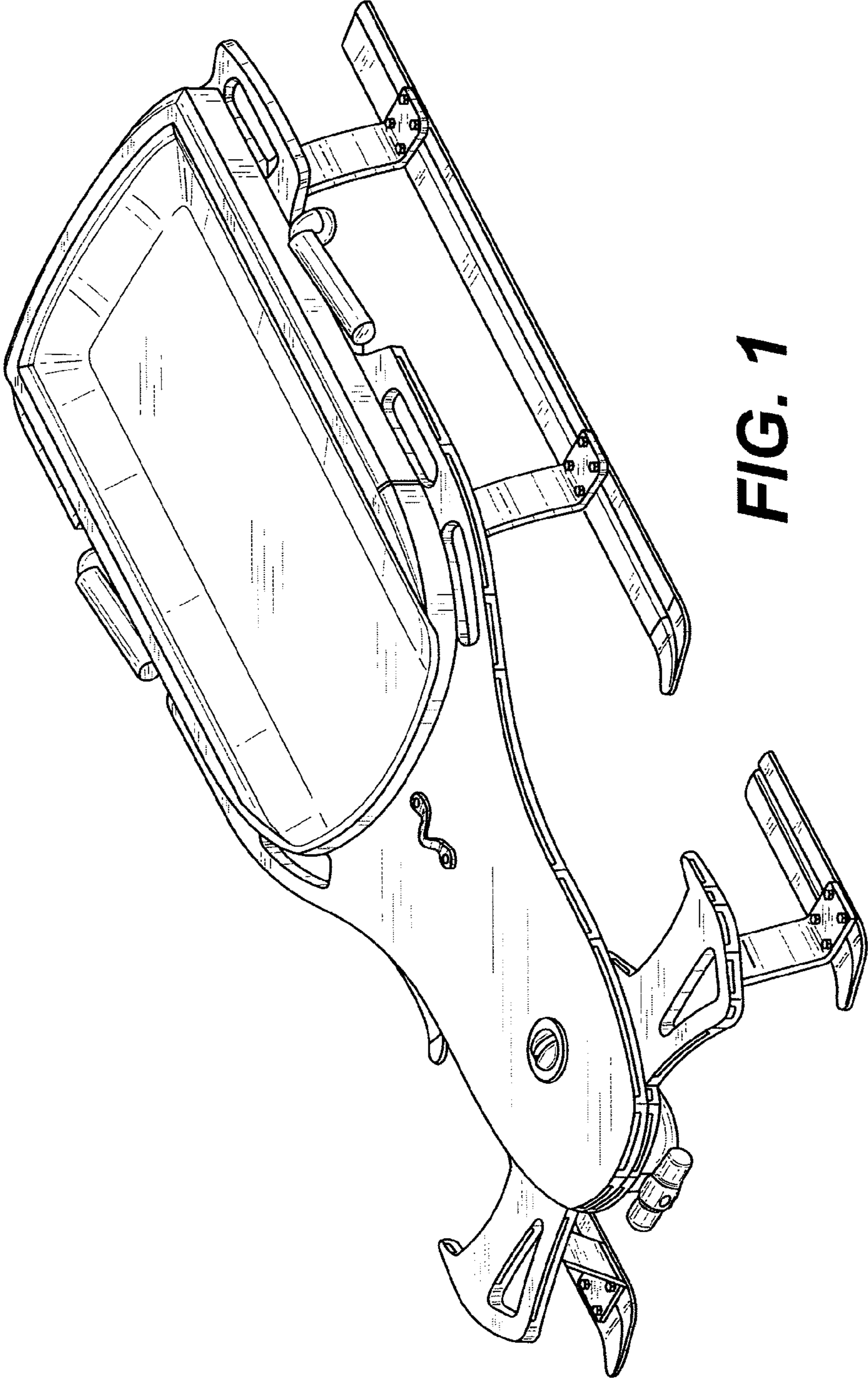


FIG. 1

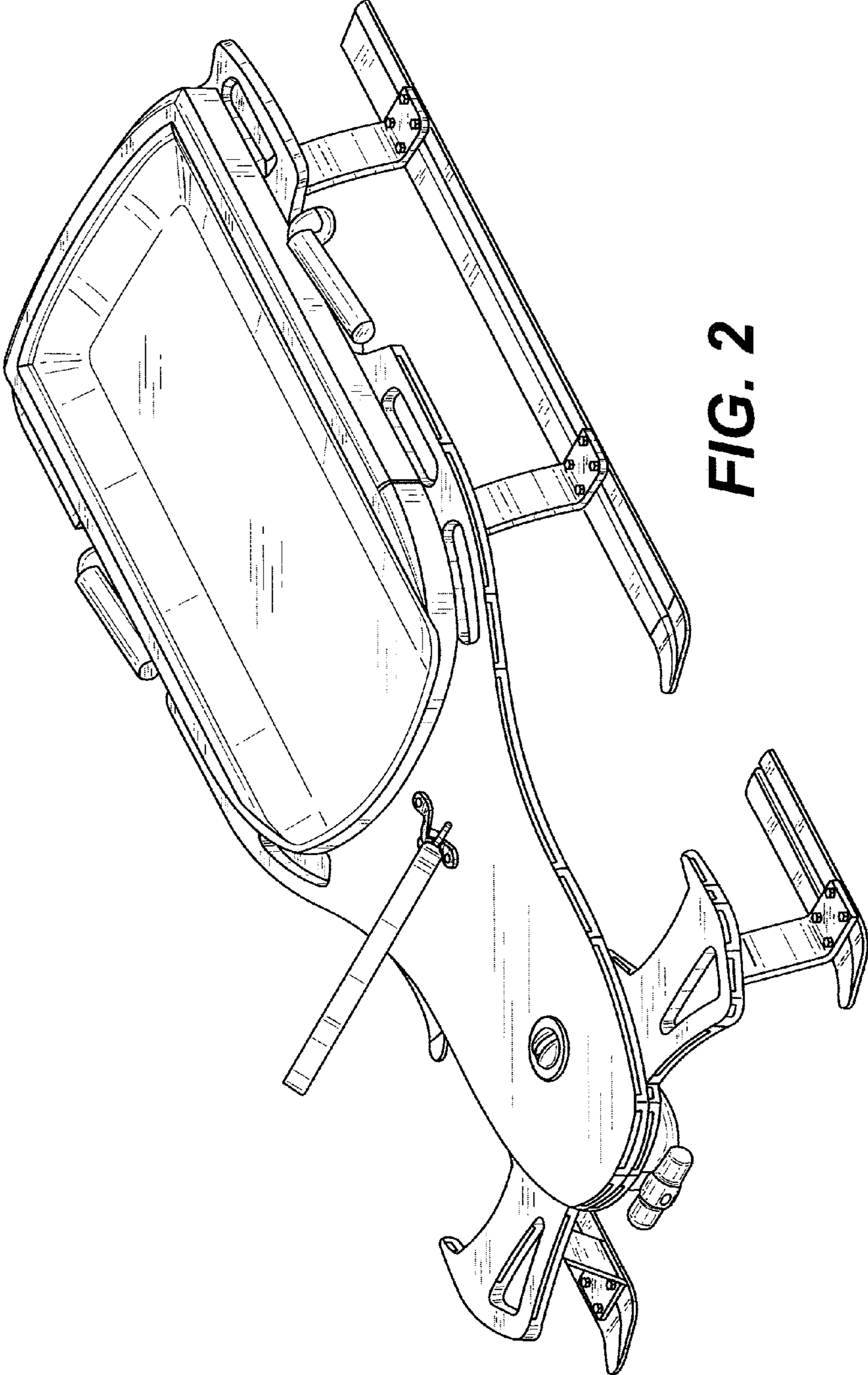


FIG. 2

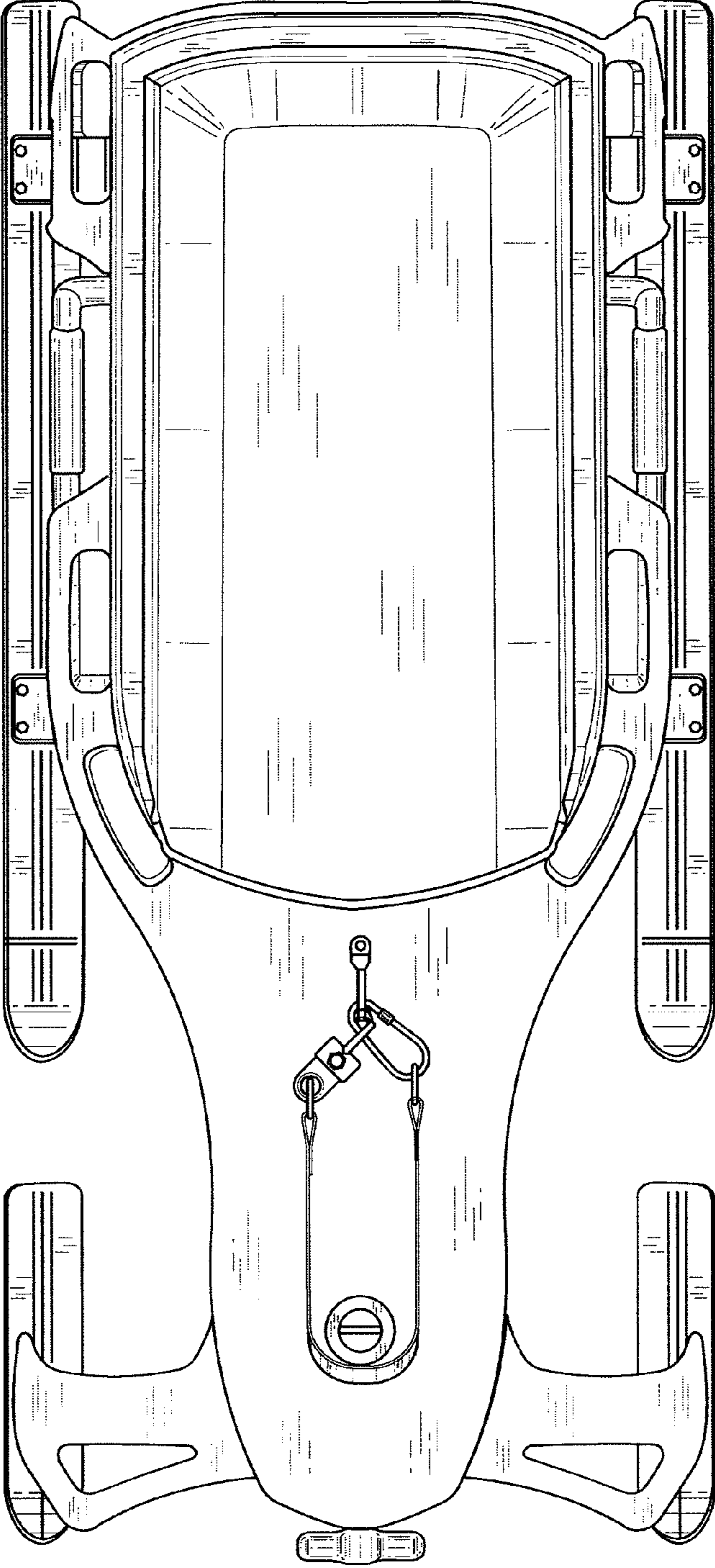


FIG. 3

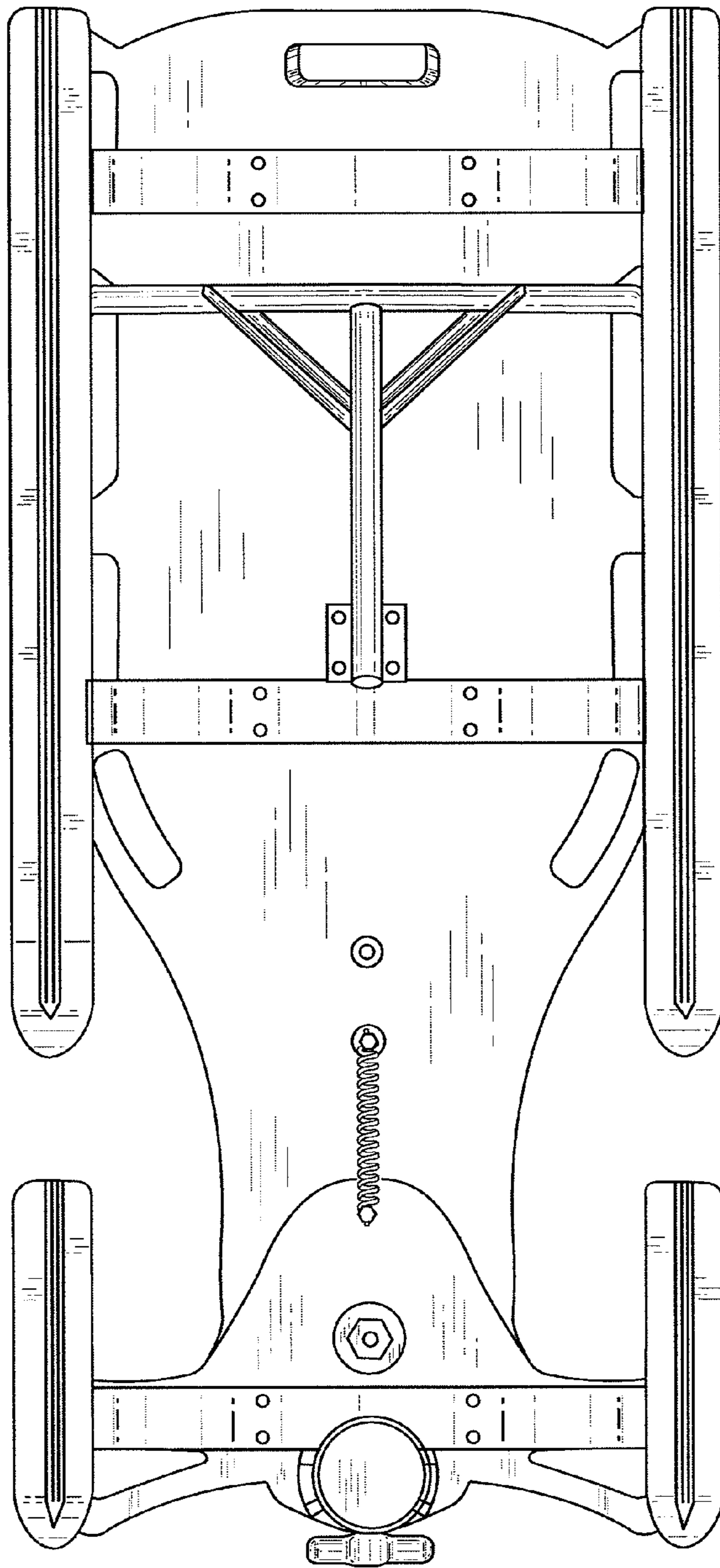


FIG. 4

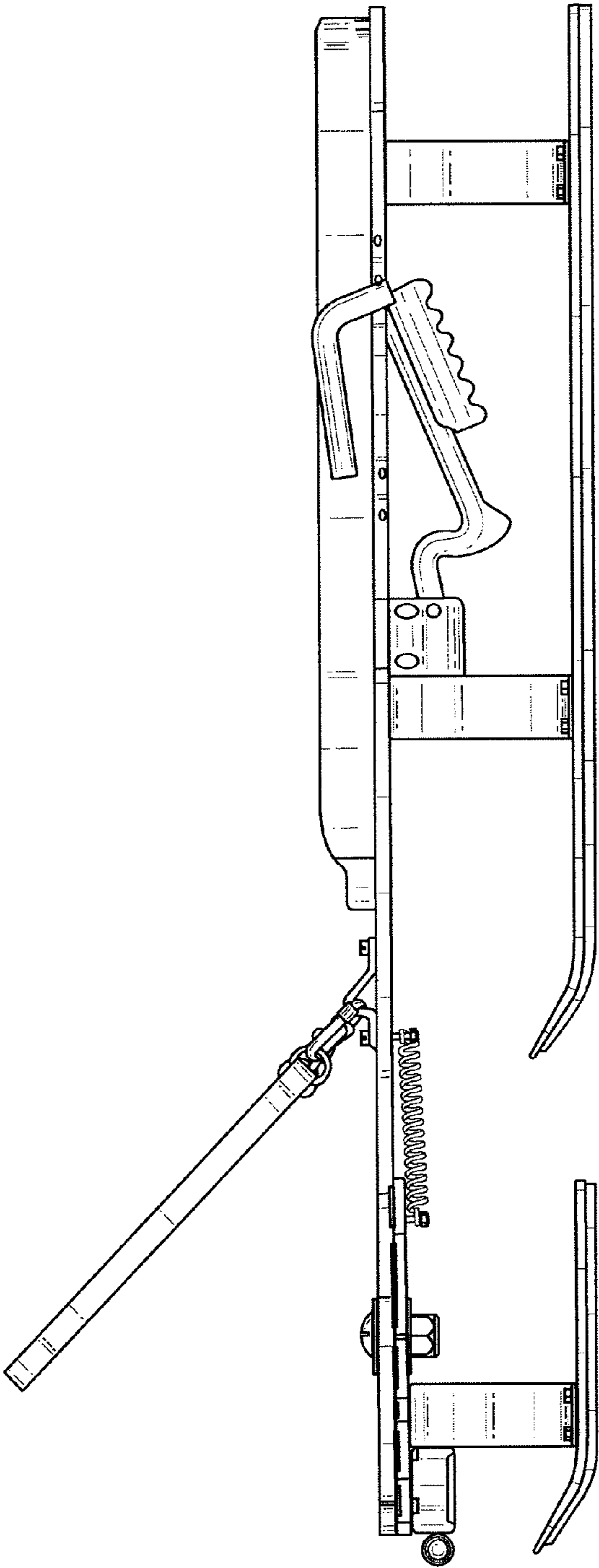


FIG. 5

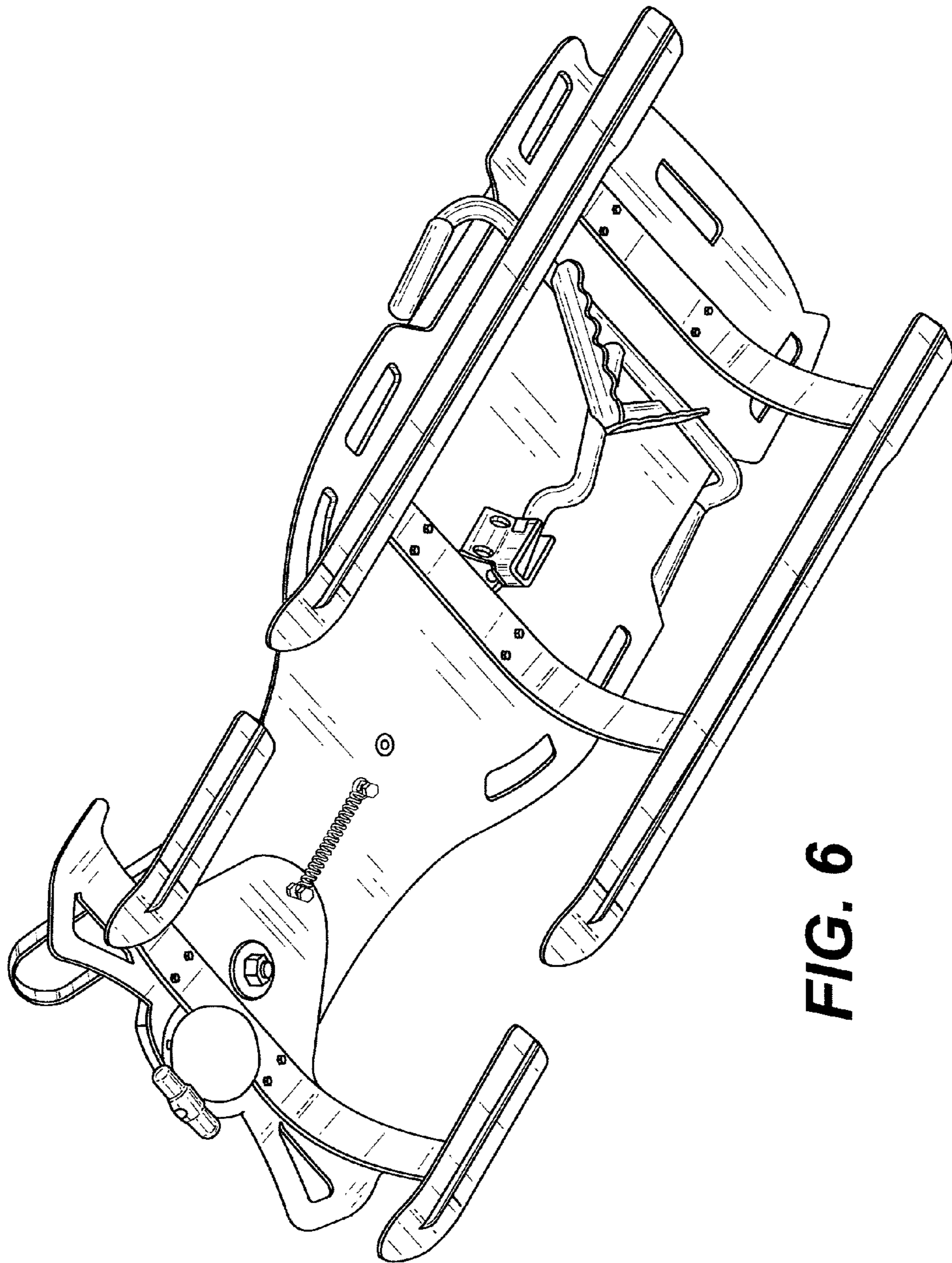


FIG. 6

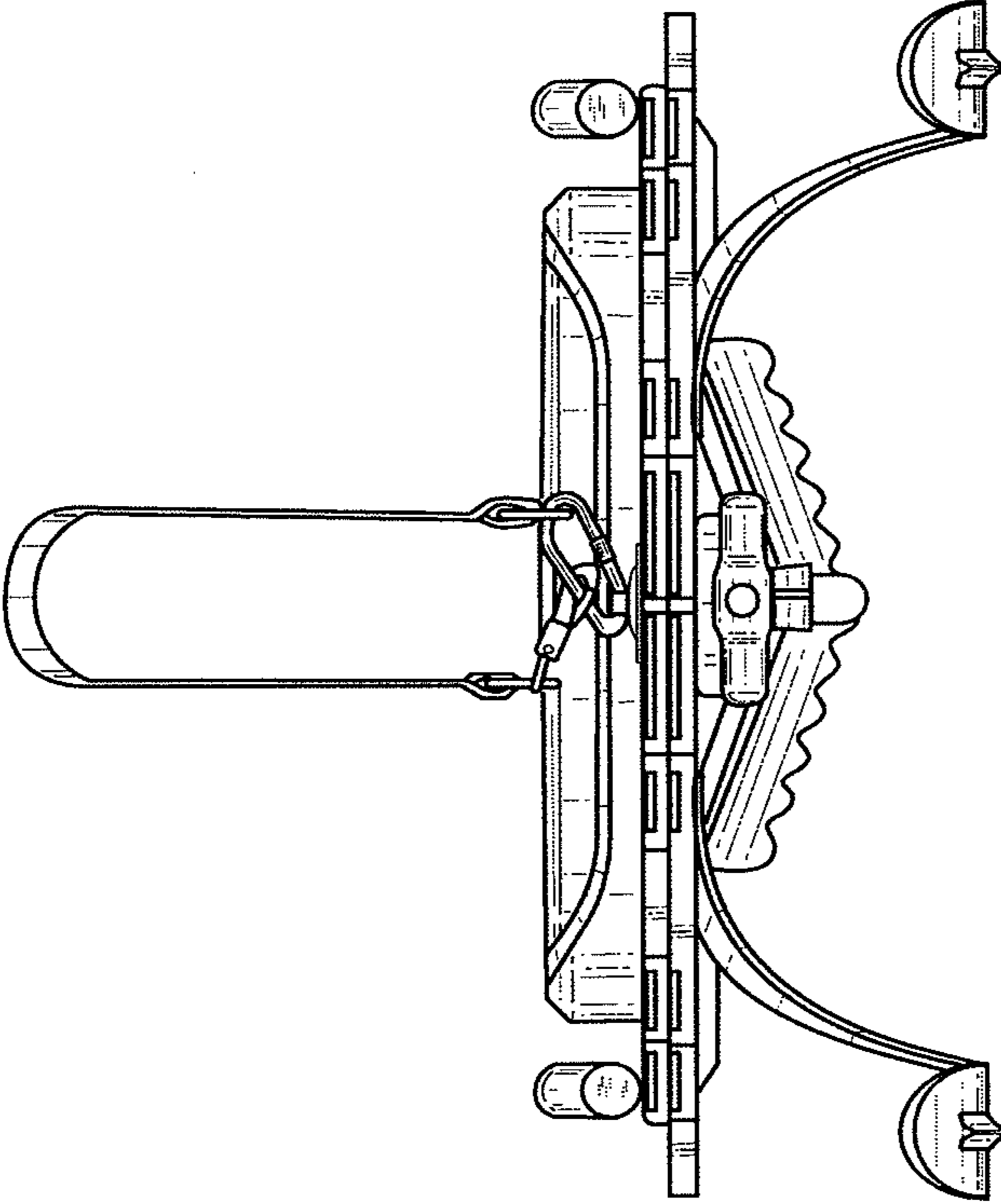


FIG. 7