



US00D723422S

(12) **United States Design Patent**
Gueit

(10) **Patent No.:** **US D723,422 S**
(45) **Date of Patent:** **** Mar. 3, 2015**

- (54) **PIN BUCKLE FOR WATCH**
- (71) Applicant: **Rolex Watch U.S.A., Inc.**, New York, NY (US)
- (72) Inventor: **Emmanuel Gueit**, Geneva (CH)
- (73) Assignee: **Rolex Watch U.S.A., Inc.**, New York, NY (US)
- (**) Term: **14 Years**
- (21) Appl. No.: **29/486,105**
- (22) Filed: **Mar. 26, 2014**
- (30) **Foreign Application Priority Data**
Dec. 20, 2013 (CH) 140343
- (51) **LOC (10) Cl.** **02-07**
- (52) **U.S. Cl.**
USPC **D11/234**
- (58) **Field of Classification Search**
USPC D11/200–241, 87, 3, 25, 1, 94;
D2/625–629, 976, 946; 24/614, 625,
24/650, 199–200, 170–171, 30.5 R, 318;
224/163, 163 R; D30/152
See application file for complete search history.

- (56) **References Cited**
U.S. PATENT DOCUMENTS
4,406,043 A * 9/1983 Friedman 24/171
D289,623 S * 5/1987 Inoue et al. D11/237
D290,589 S * 6/1987 Watanabe D11/234
D342,920 S * 1/1994 Kirk D11/231
D342,922 S * 1/1994 Kirk D11/231
D342,923 S * 1/1994 Kirk D11/231
D353,347 S * 12/1994 St. Dizier D11/94

- D416,828 S * 11/1999 Hwang D11/237
- 6,253,974 B1 * 7/2001 Park 224/163
- D471,328 S * 3/2003 Hanna D30/152
- D479,489 S * 9/2003 Calvani D11/234
- D479,812 S * 9/2003 Calvani D11/234
- D523,377 S * 6/2006 Mouquet D11/234
- D525,907 S * 8/2006 Mouquet D11/234
- D536,281 S * 2/2007 Mouquet D11/234
- D543,488 S * 5/2007 Tobergte D11/234
- D571,097 S * 6/2008 Della Valle D2/976
- D571,550 S * 6/2008 Valle D2/976
- 7,480,967 B2 * 1/2009 Kojoori et al. 24/163 R
- D604,654 S * 11/2009 Calvani D11/1
- D637,519 S * 5/2011 Coffman D11/234
- D647,000 S * 10/2011 Kerker D11/234
- D682,736 S * 5/2013 Ng D11/234
- D708,549 S * 7/2014 Kao D11/234
- D710,251 S * 8/2014 Mariner et al. D11/234
- D711,777 S * 8/2014 Monachon D11/234

* cited by examiner

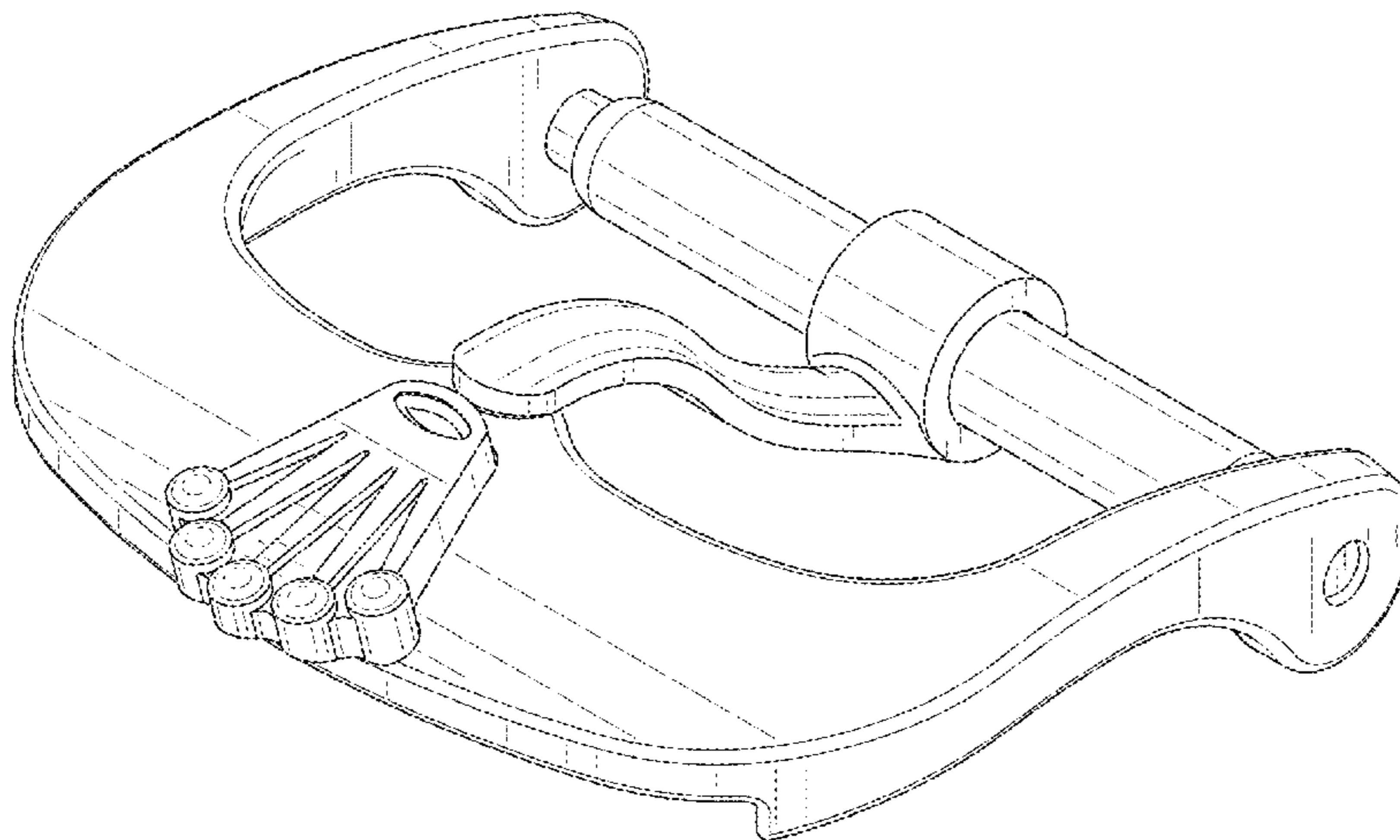
Primary Examiner — T. Chase Nelson
Assistant Examiner — Mark Cavanna
(74) *Attorney, Agent, or Firm* — Sughrue Mion, PLLC

(57) **CLAIM**
The ornamental design for a pin buckle for watch, as shown and described.

DESCRIPTION

FIG. 1 is a perspective view of a pin buckle for watch according to my new design;
FIG. 2 is front view thereof;
FIG. 3 is a rear view thereof;
FIG. 4 is first end view thereof;
FIG. 5 is a second end view thereof;
FIG. 6 is a first side view thereof; and,
FIG. 7 is a second side view thereof.

1 Claim, 5 Drawing Sheets



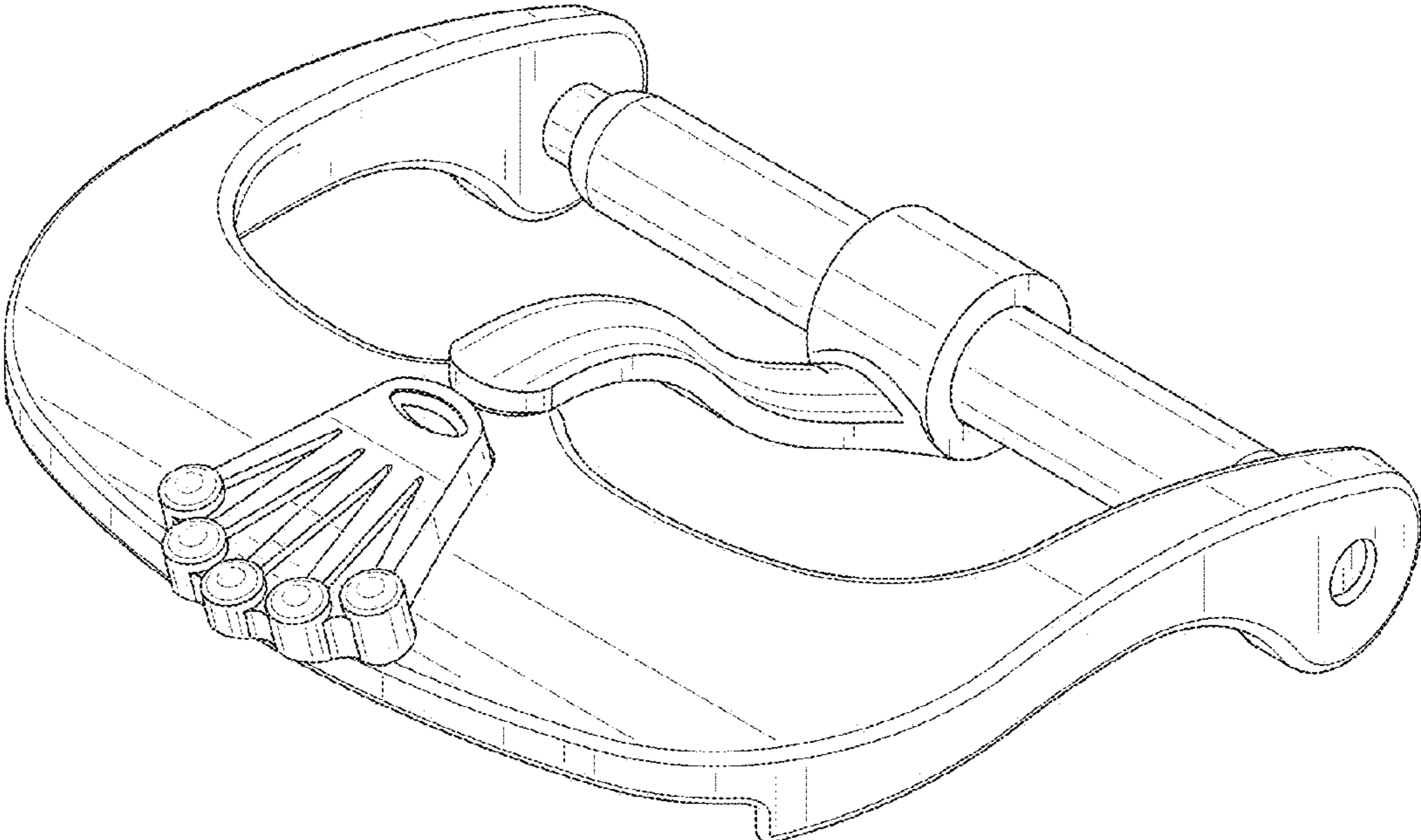


FIG. 1

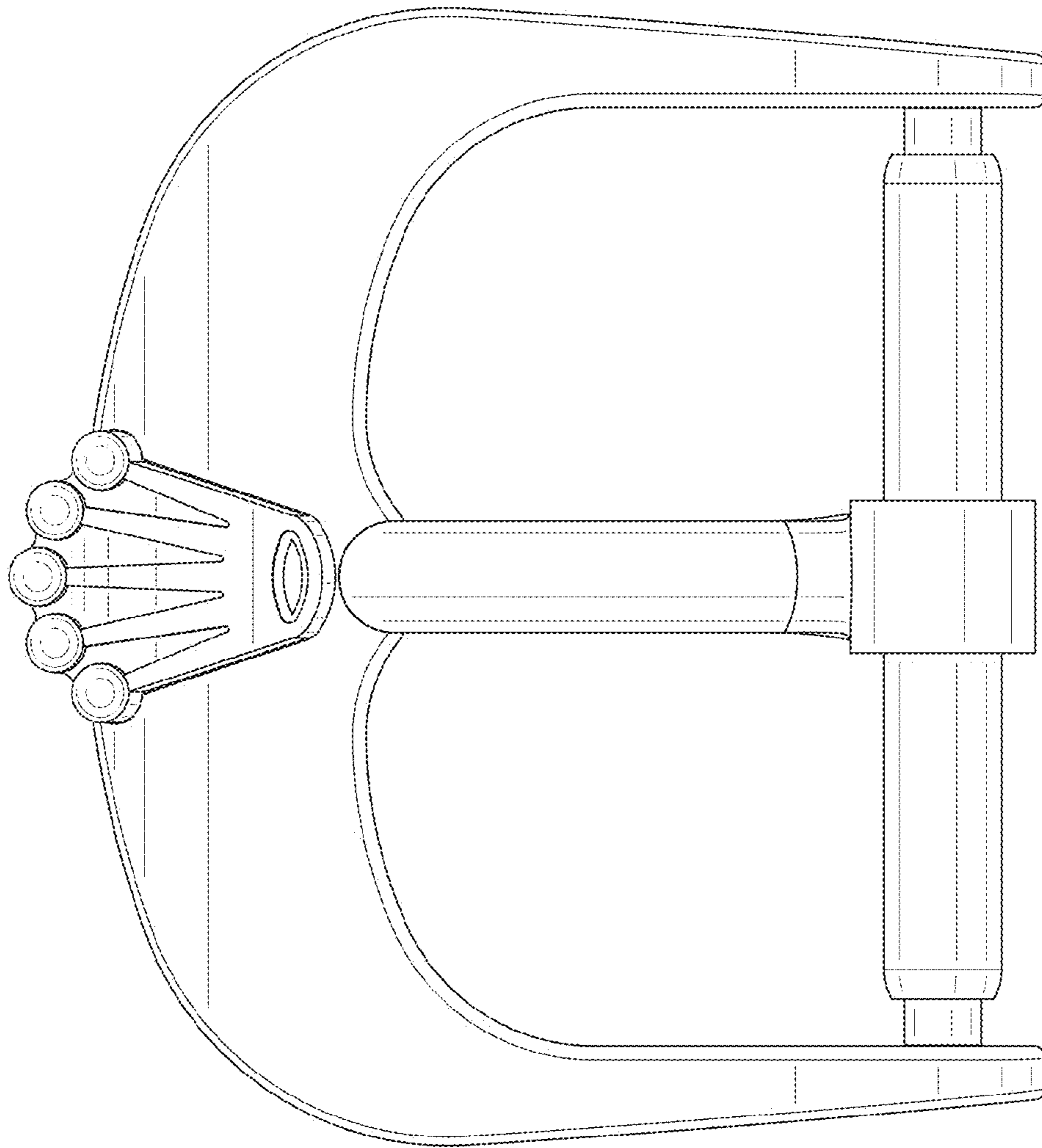


FIG. 2

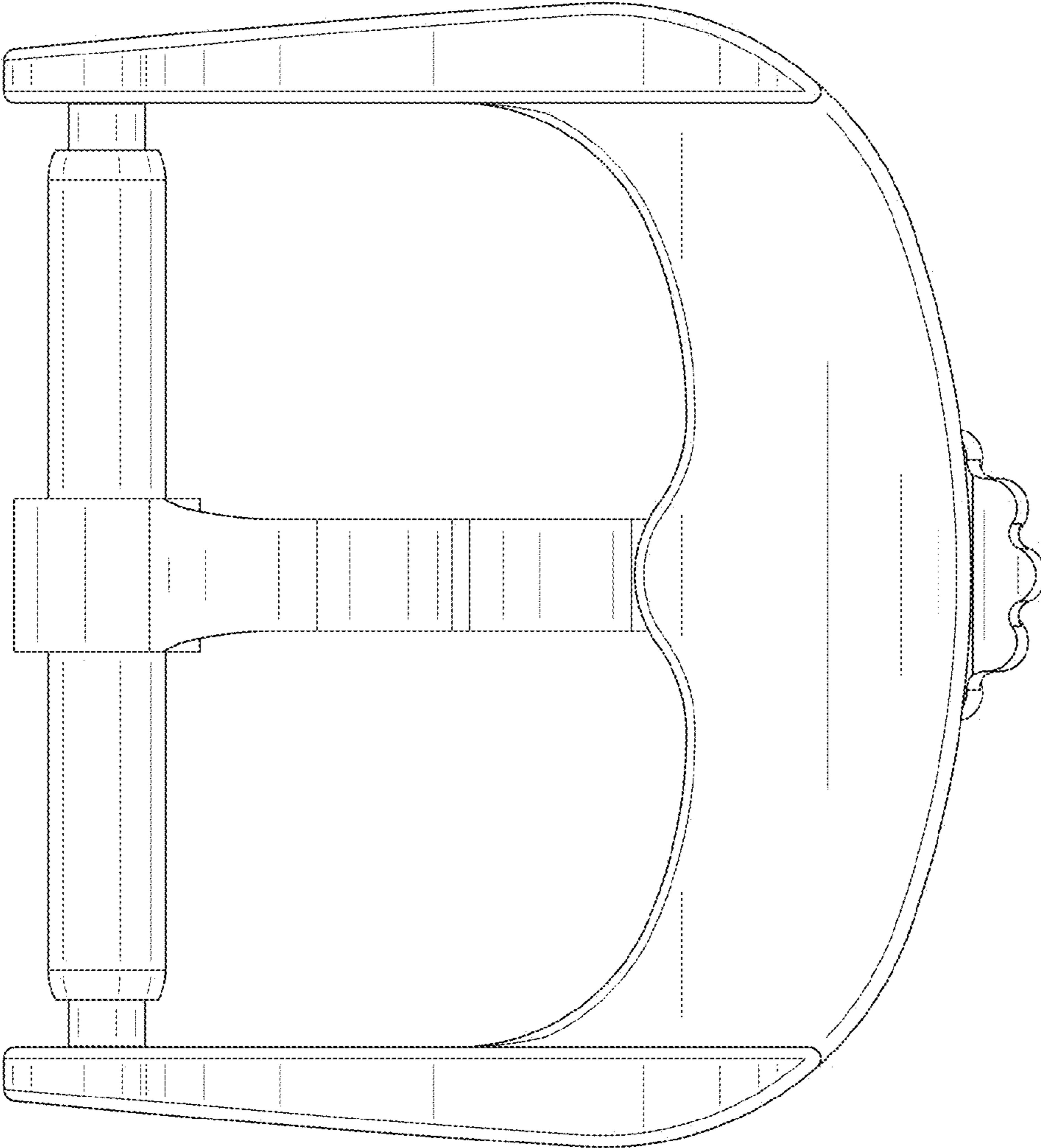


FIG. 3

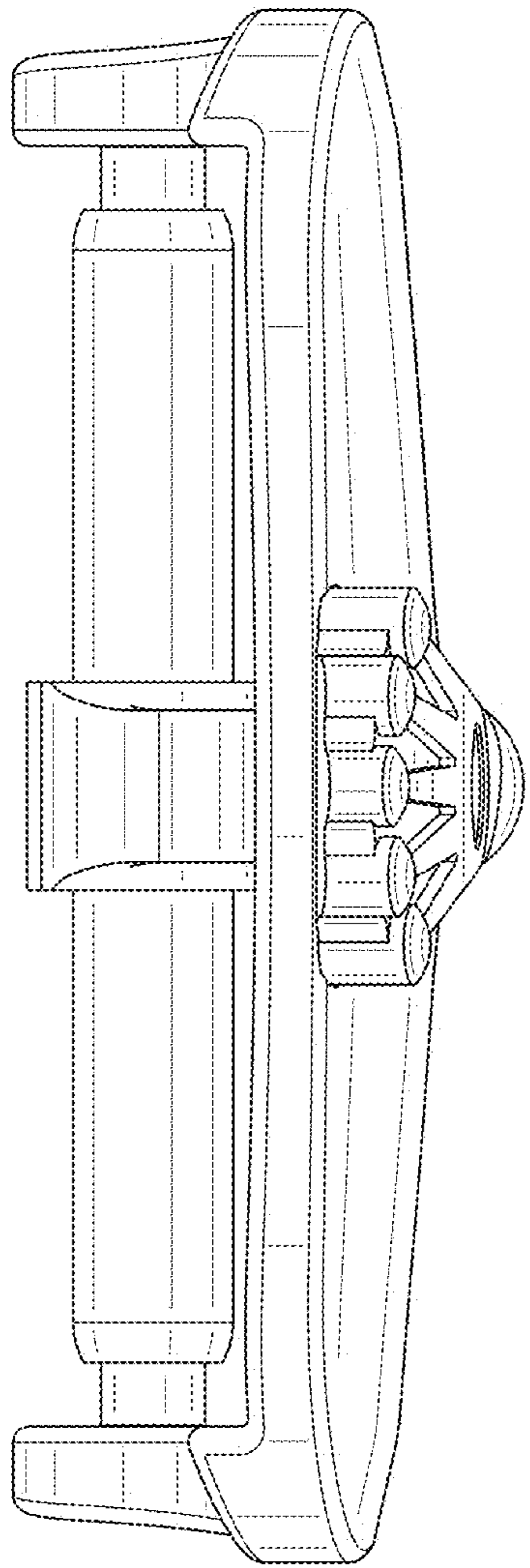


FIG. 4

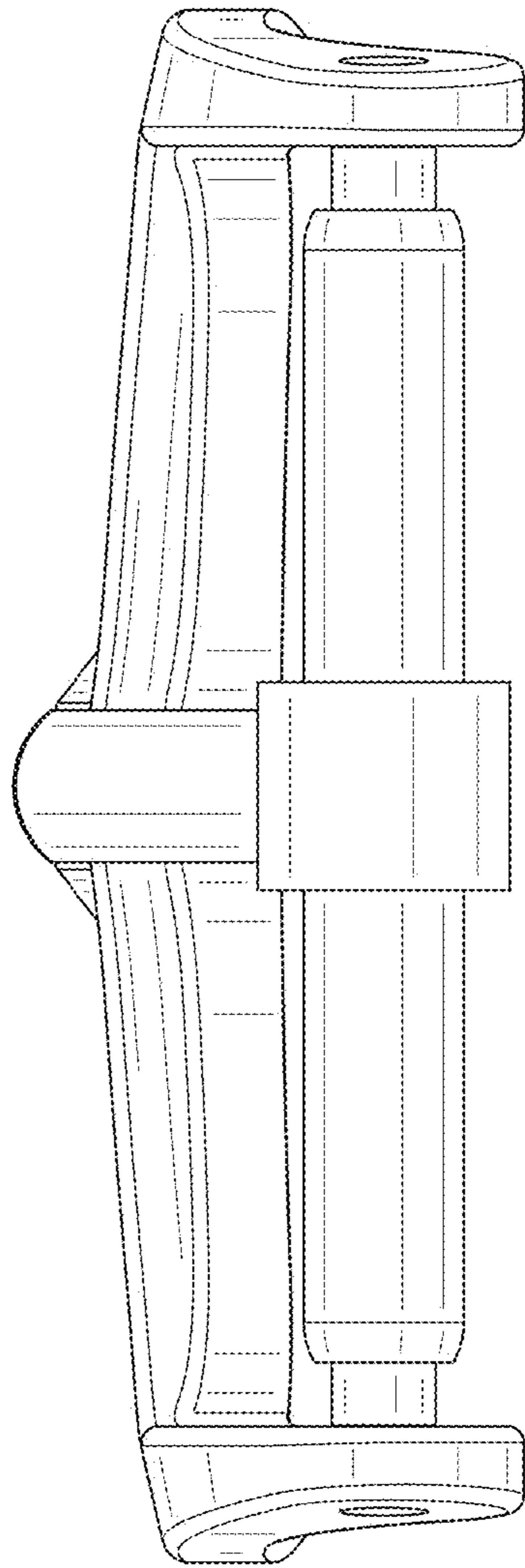


FIG. 5

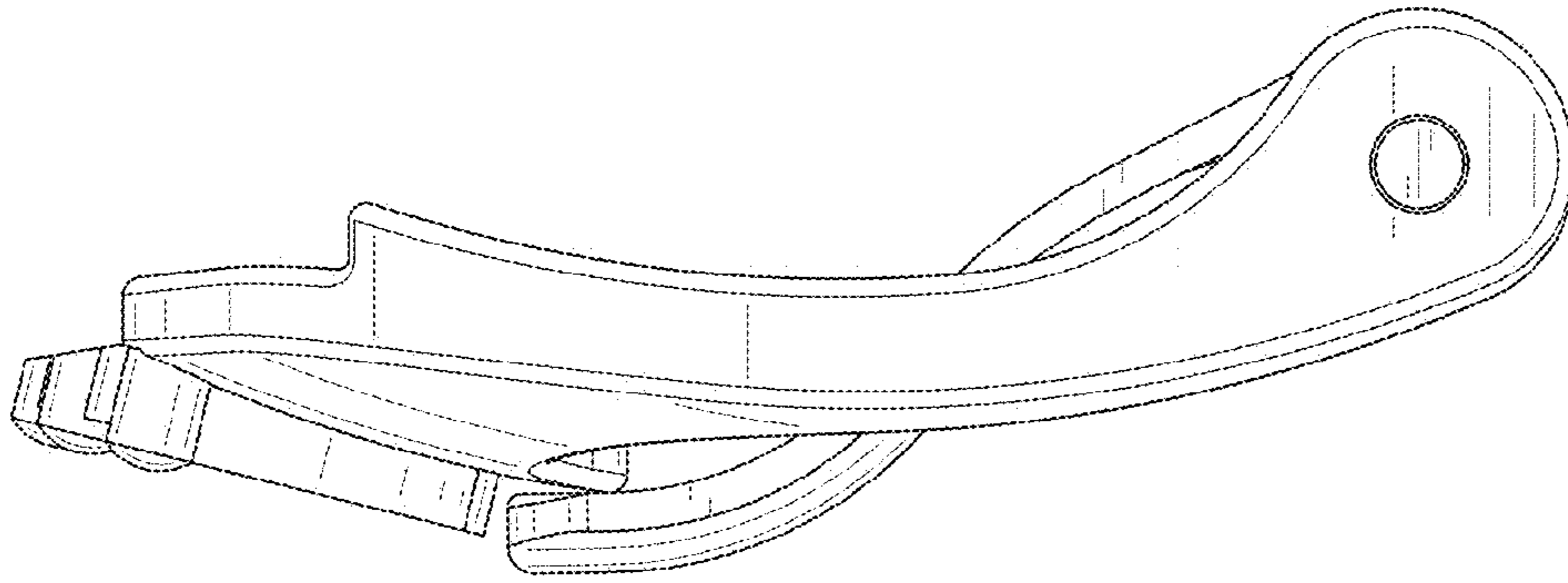


FIG. 6

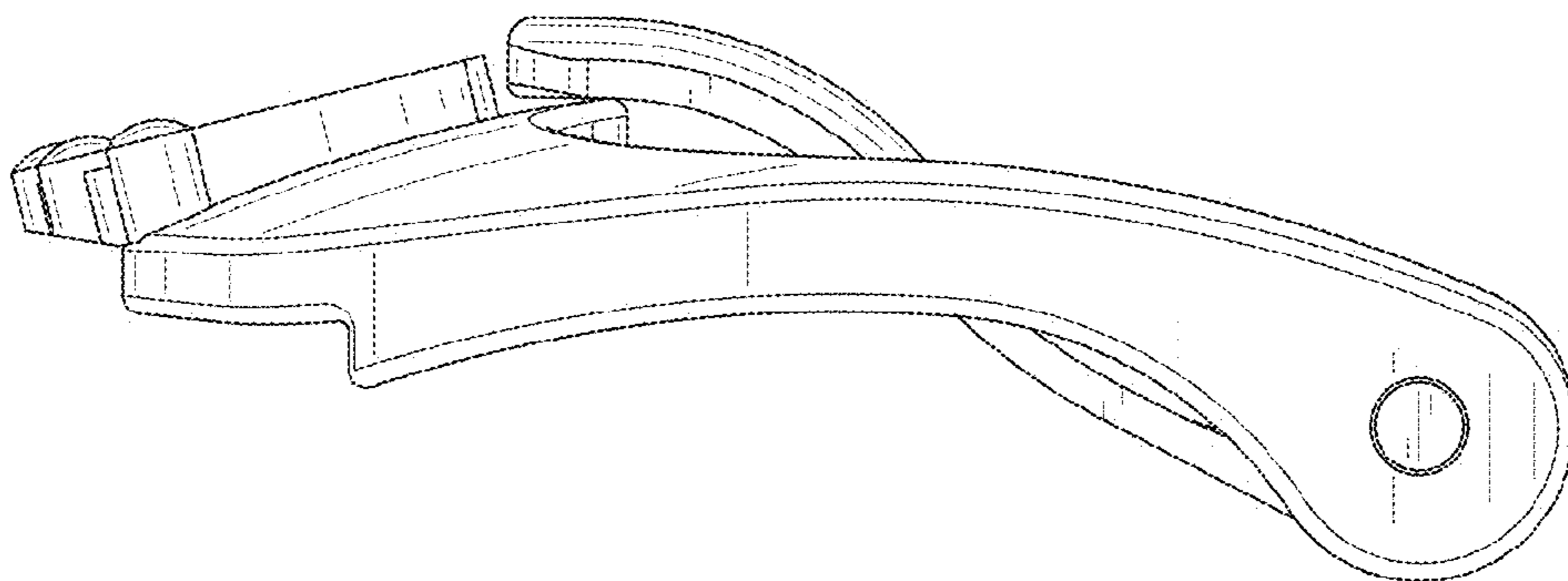


FIG. 7