



US00D723420S

(12) **United States Design Patent**
Carpenter

(10) **Patent No.:** **US D723,420 S**

(45) **Date of Patent:** **** Mar. 3, 2015**

(54) **MAGNETIC COLLAR WEIGHT**

(74) *Attorney, Agent, or Firm* — Memminger E. Wiggins

(71) Applicant: **Jeffery A. Carpenter**, Charlotte, NC
(US)

(57) **CLAIM**
The ornamental design for a magnetic collar weight, as shown and described.

(72) Inventor: **Jeffery A. Carpenter**, Charlotte, NC
(US)

DESCRIPTION

(**) Term: **14 Years**

FIG. 1 is a frontal perspective view of a magnetic collar weight showing my new design;

(21) Appl. No.: **29/488,836**

FIG. 2 is a top plan view of the magnetic collar weight as shown in FIG. 1;

(22) Filed: **Apr. 23, 2014**

FIG. 3 is a bottom plan view of the magnetic collar weight as shown in FIG. 1;

(51) **LOC (10) Cl.** **02-07**

FIG. 4 is a front elevation view of the magnetic collar weight as shown in FIG. 1;

(52) **U.S. Cl.**
USPC **D11/213**

FIG. 5 is a rear elevation view of the magnetic collar weight as shown in FIG. 1;

(58) **Field of Classification Search**

CPC **A41D 25/04**

FIG. 6 is a left elevation view of the magnetic collar weight as shown in FIG. 1;

USPC **D11/1-2, 200-201, 206-210, 214-218,**

FIG. 7 is a right elevation view of the magnetic collar weight as shown in FIG. 1;

D11/213; 24/163 R, 169-171, 173, 177-179,

FIG. 8 is a frontal perspective view of the magnetic collar weight shown in FIG. 1 attached to a shirt collar;

24/191, 194-195, 197, 200, 614-616, 625,

FIG. 9 is a top perspective view of the magnetic collar weight of FIG. 1 magnetically attached to a shirt collar;

24/66.1, 303; 2/132

FIG. 10 is a top plan view of the magnetic collar weight shown in FIG. 1 attached to the top side of a shirt collar;

See application file for complete search history.

FIG. 11 is a top plan view of the magnetic collar weight shown in FIG. 1 attached to the bottom side of a shirt collar;

(56) **References Cited**

U.S. PATENT DOCUMENTS

D76,412 S *	9/1928	Ormsbee	D11/203
2,599,421 A	6/1952	Wilm		
3,026,528 A	3/1962	Dzus		
3,626,516 A	12/1971	Ruane		
D291,788 S *	9/1987	Caulkins	D11/213
D312,985 S	12/1990	Sprick		
5,369,899 A *	12/1994	Reeves	40/1.5
5,626,267 A	5/1997	Peruski		
5,769,288 A	6/1998	Berglund		
6,089,422 A	7/2000	Gibson		
D449,250 S	10/2001	Everett		
6,446,372 B1 *	9/2002	Reeves	40/621
6,675,448 B2 *	1/2004	Revel	24/303
D507,205 S	7/2005	Bier et al.		

(Continued)

FIG. 12 is a front elevation view of the magnetic collar weight shown in FIG. 1 attached to a shirt collar;

FIG. 13 is a rear elevation view of the magnetic collar weight shown in FIG. 1 attached to a shirt collar;

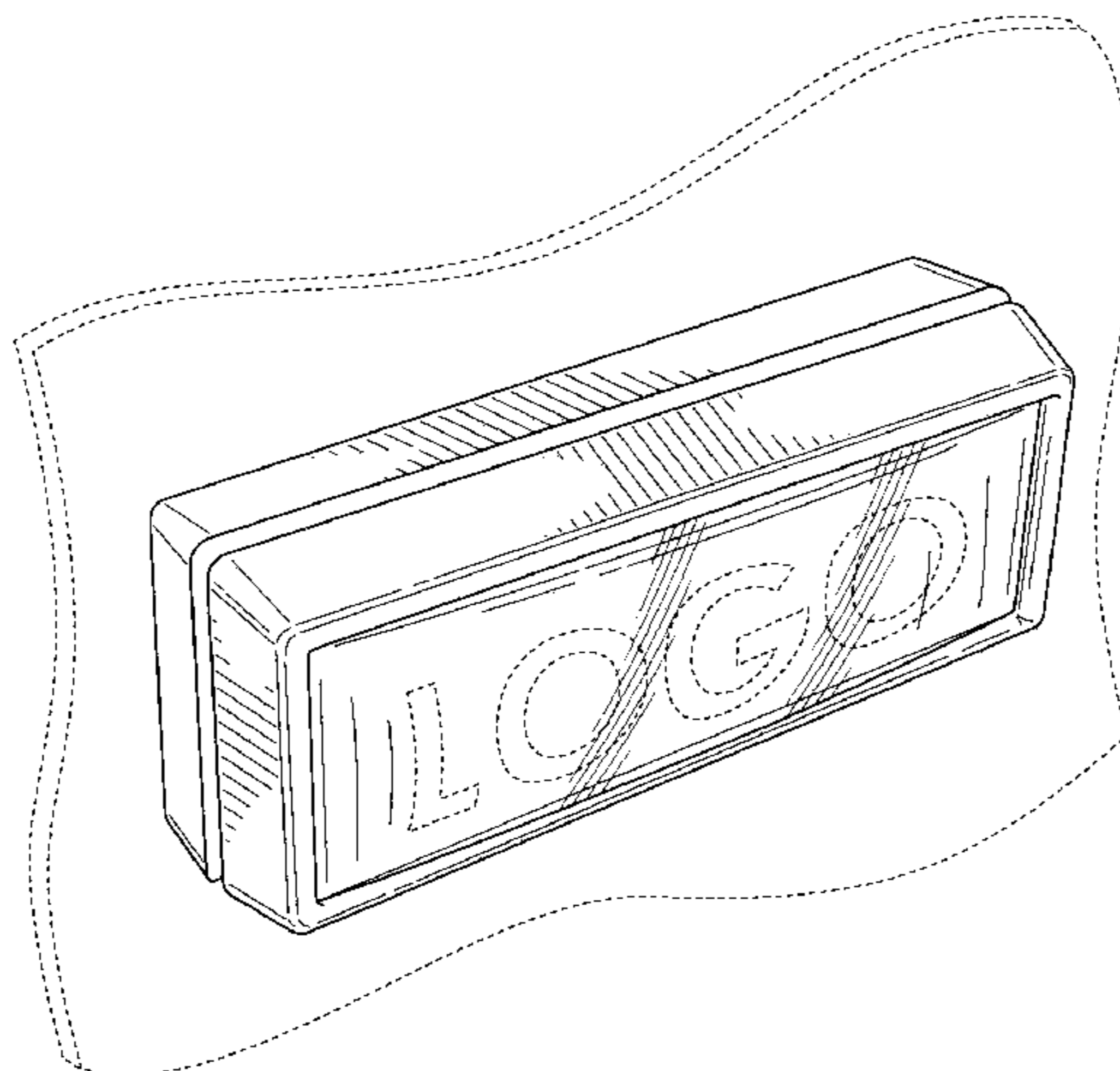
FIG. 14 is a left elevation view of the magnetic collar weight shown in FIG. 1 attached to a shirt collar; and,

FIG. 15 is a right elevation view of the magnetic collar weight shown in FIG. 1 attached to a shirt collar.

The broken lines showing the drawing disclosure are for illustrative purposes only and form no part of the claimed design.

Primary Examiner — Ralf Seifert

1 Claim, 9 Drawing Sheets



(56)

References Cited

U.S. PATENT DOCUMENTS

D563,267 S * 3/2008 Toupet D11/213
7,373,696 B2 * 5/2008 Schoening et al. 24/66.1
7,409,730 B2 8/2008 Boos

D619,927 S * 7/2010 Guyton et al. D11/212
D640,448 S * 6/2011 Aurum D2/639
2004/0113418 A1 6/2004 Bullen
2010/0088801 A1 4/2010 Spiros

* cited by examiner

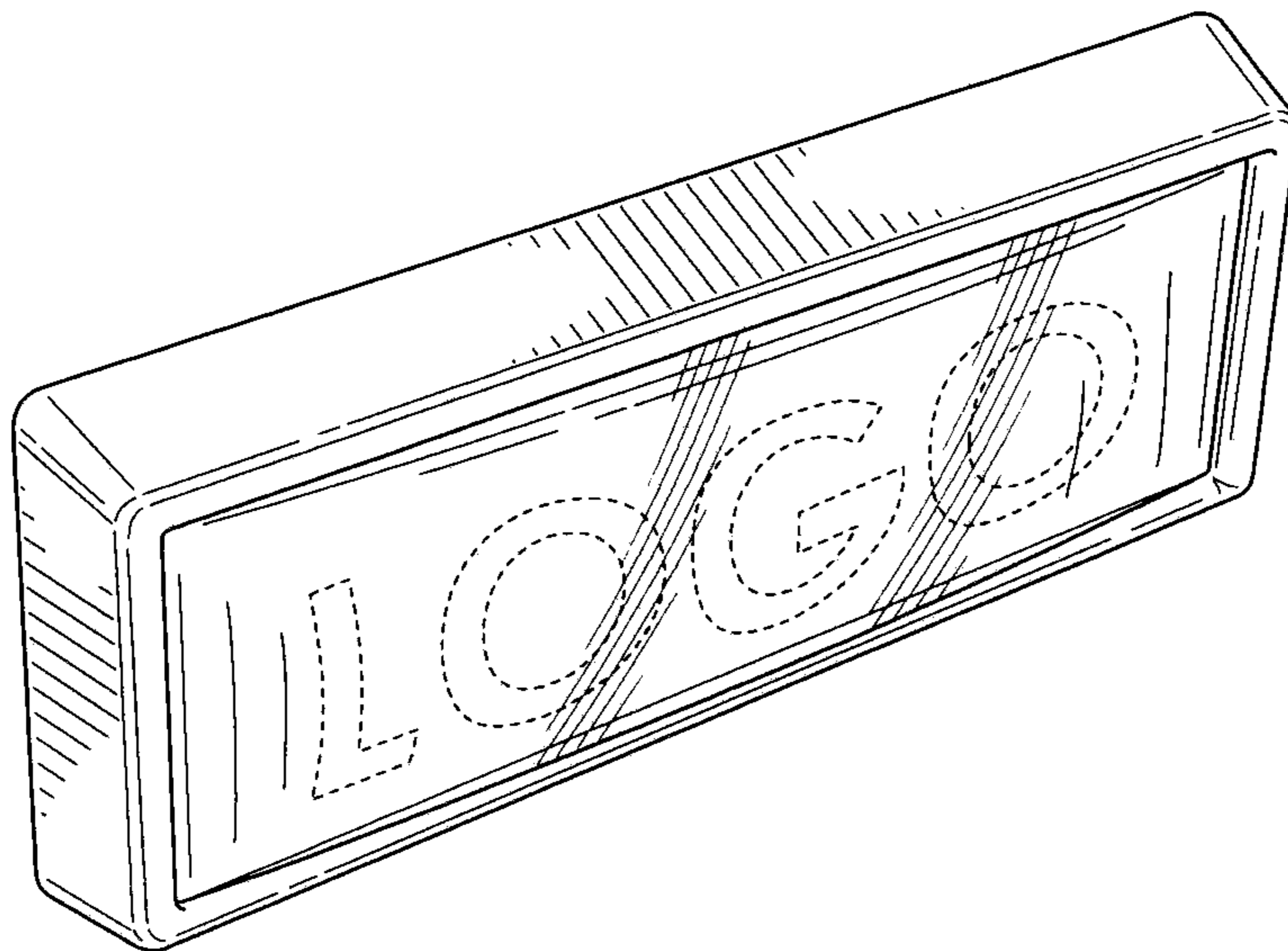


FIG. 1

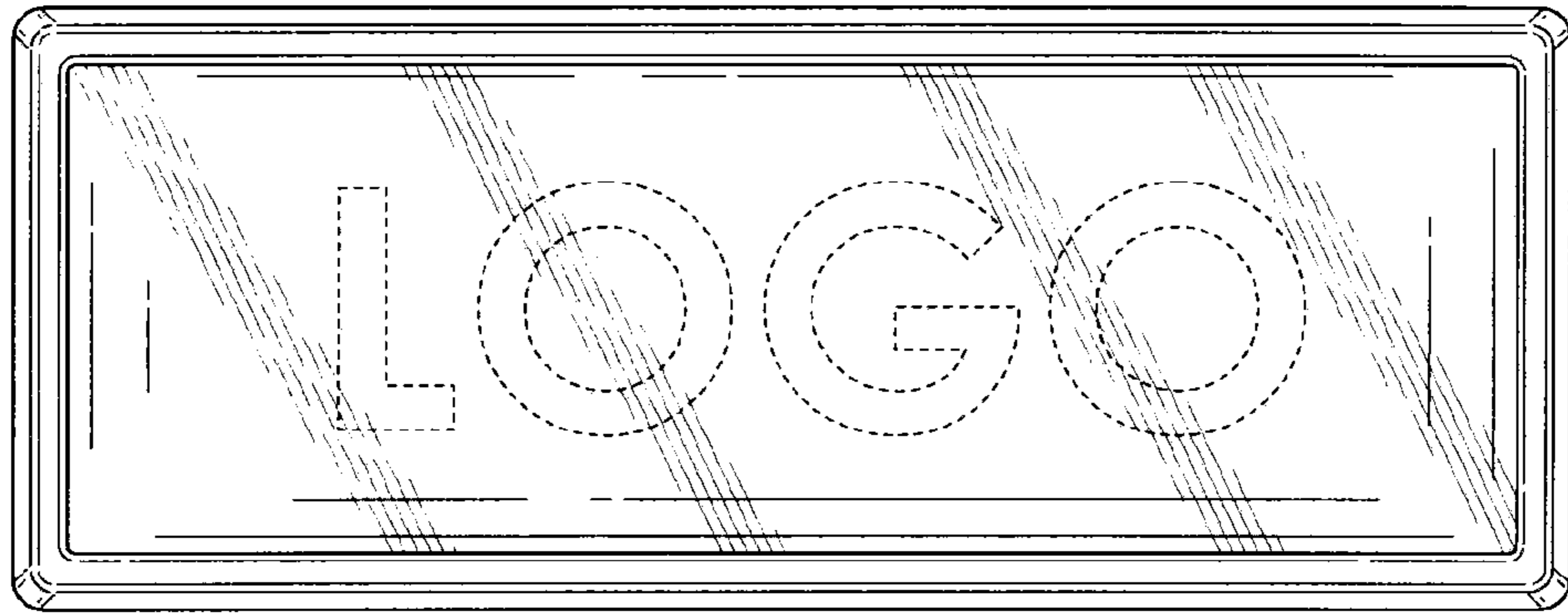


FIG. 2

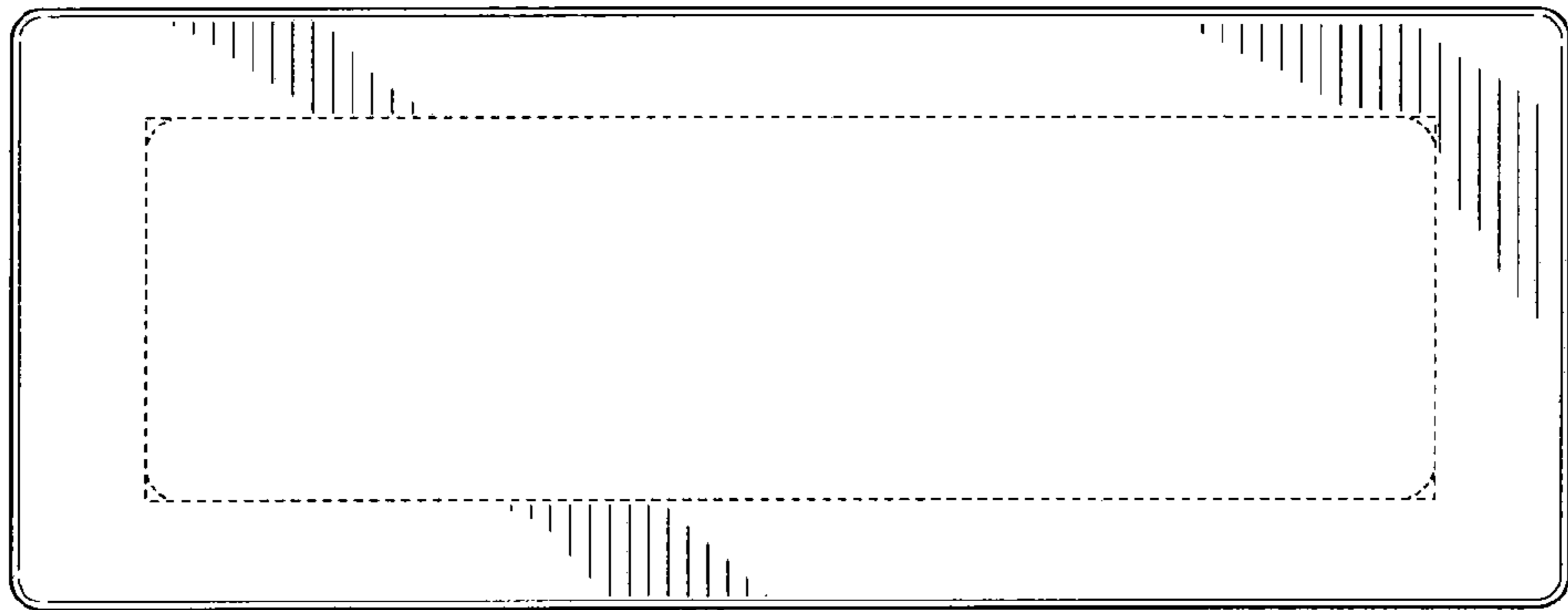


FIG. 3

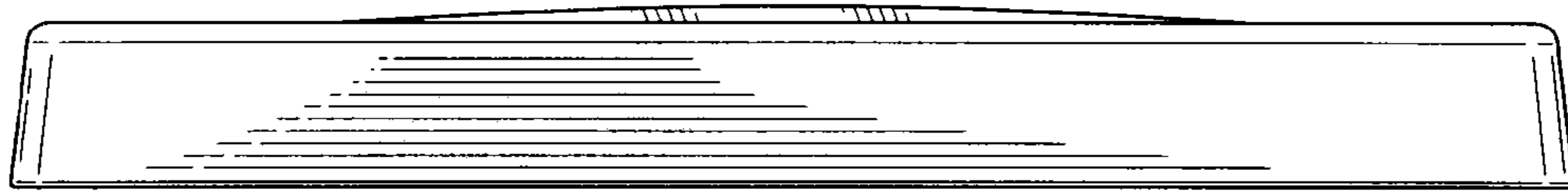


FIG. 4

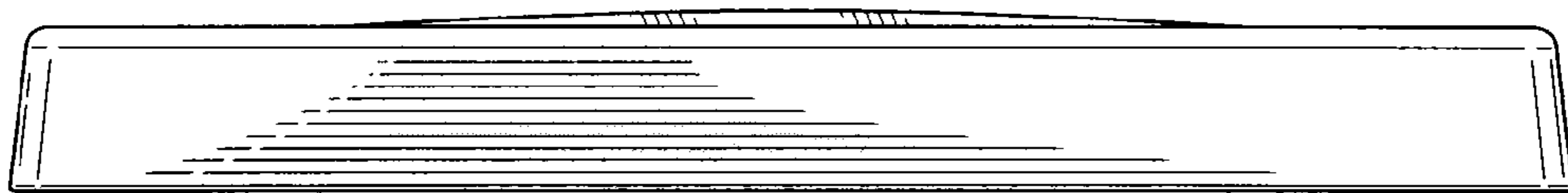


FIG. 5

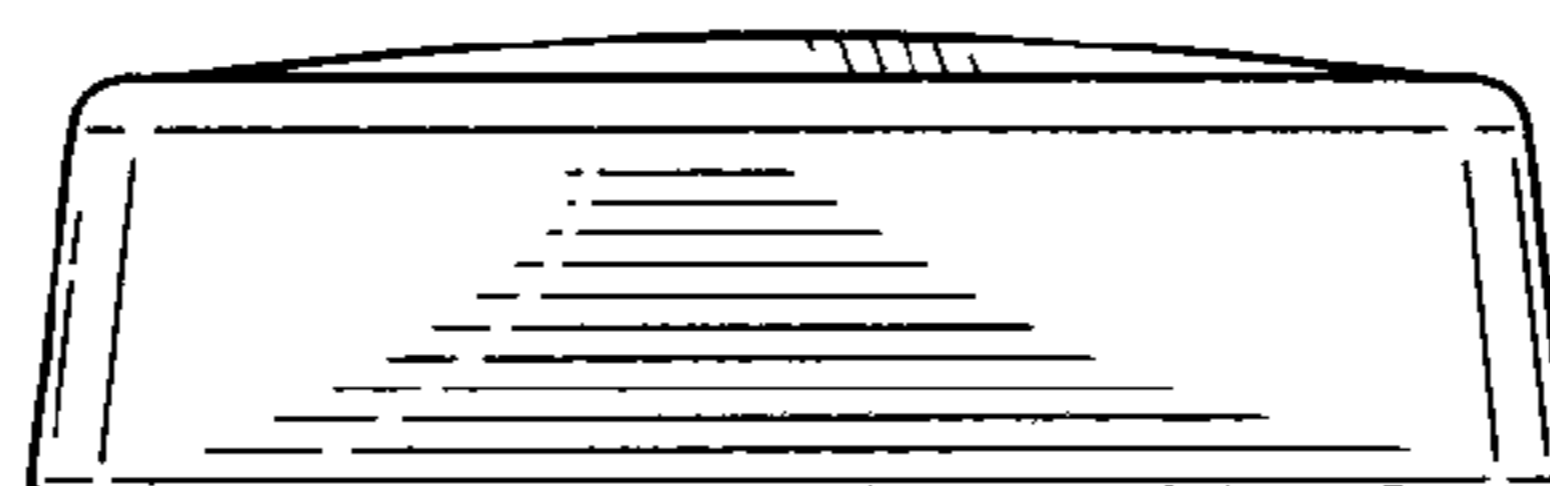


FIG. 6

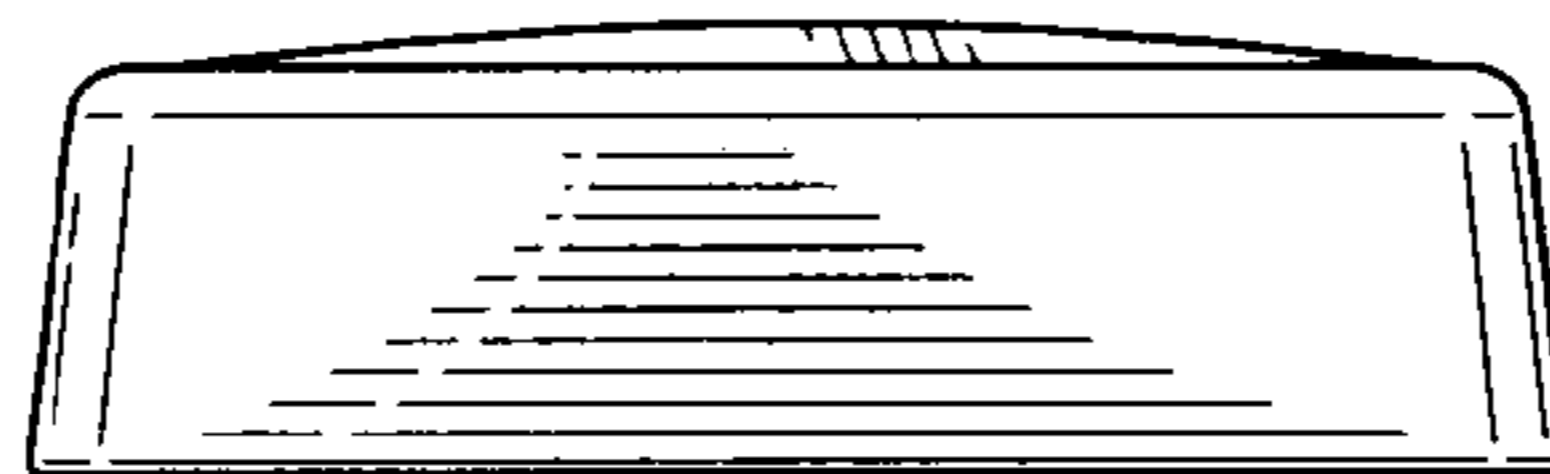


FIG. 7

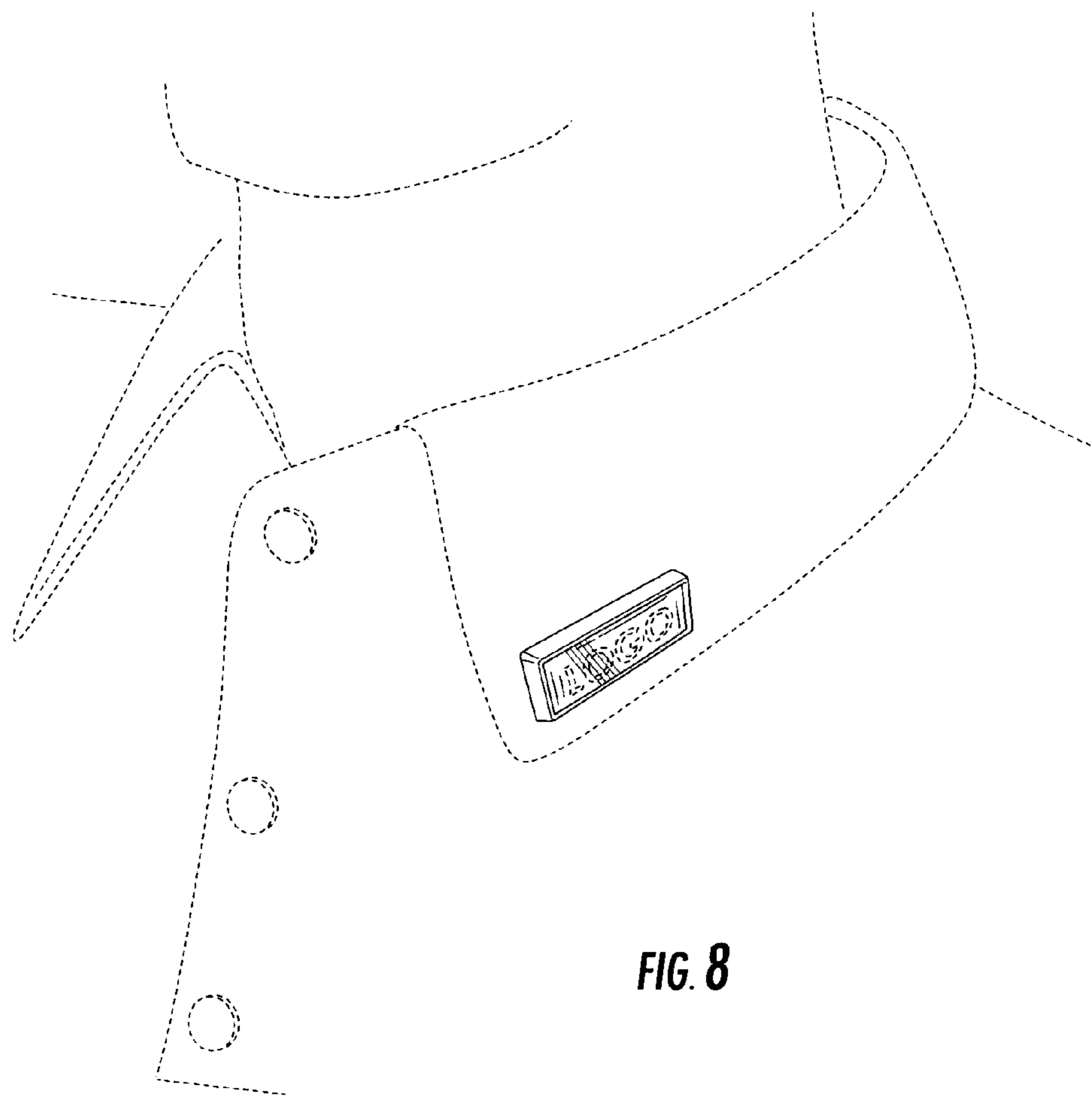


FIG. 8

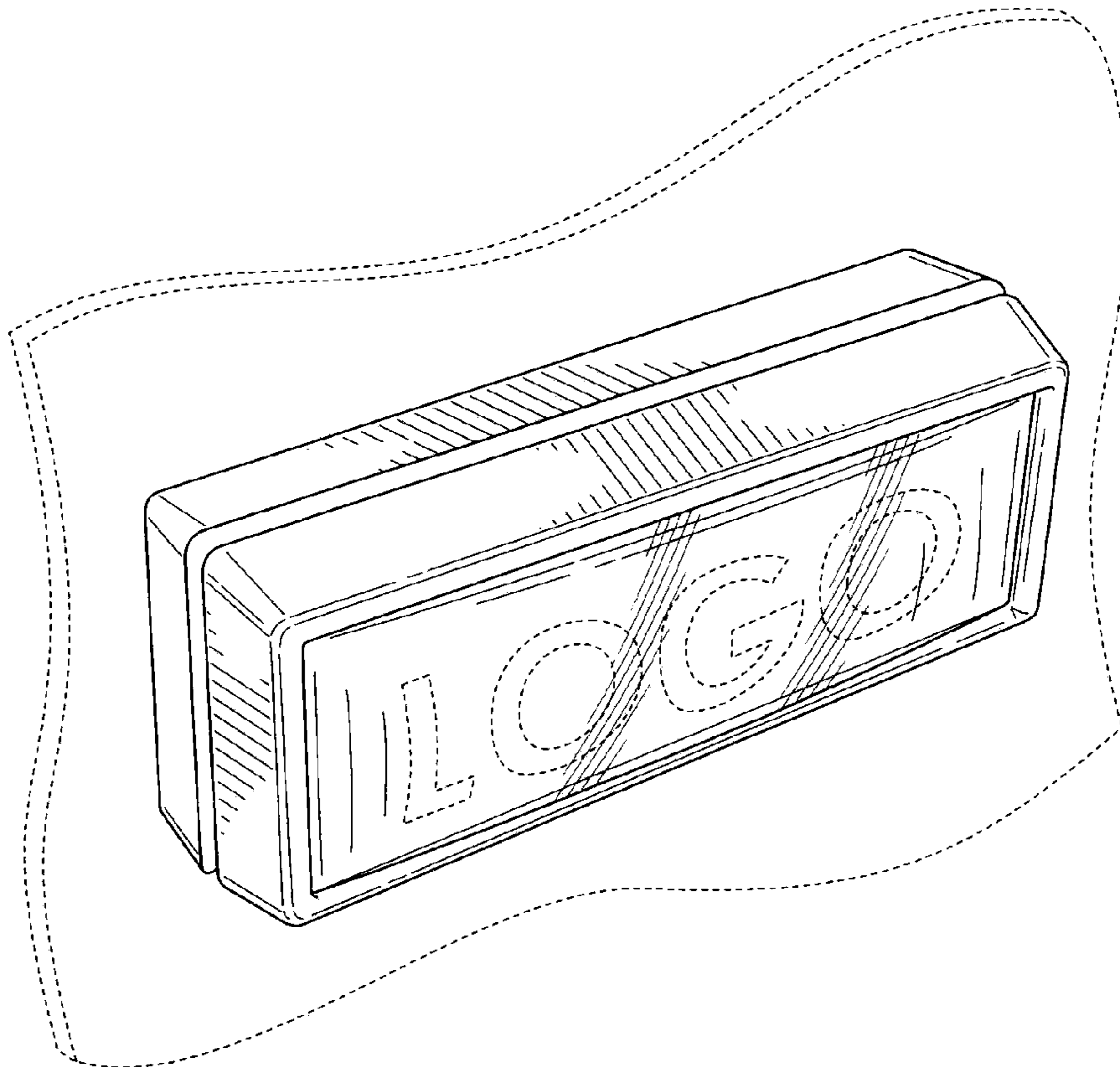


FIG. 9

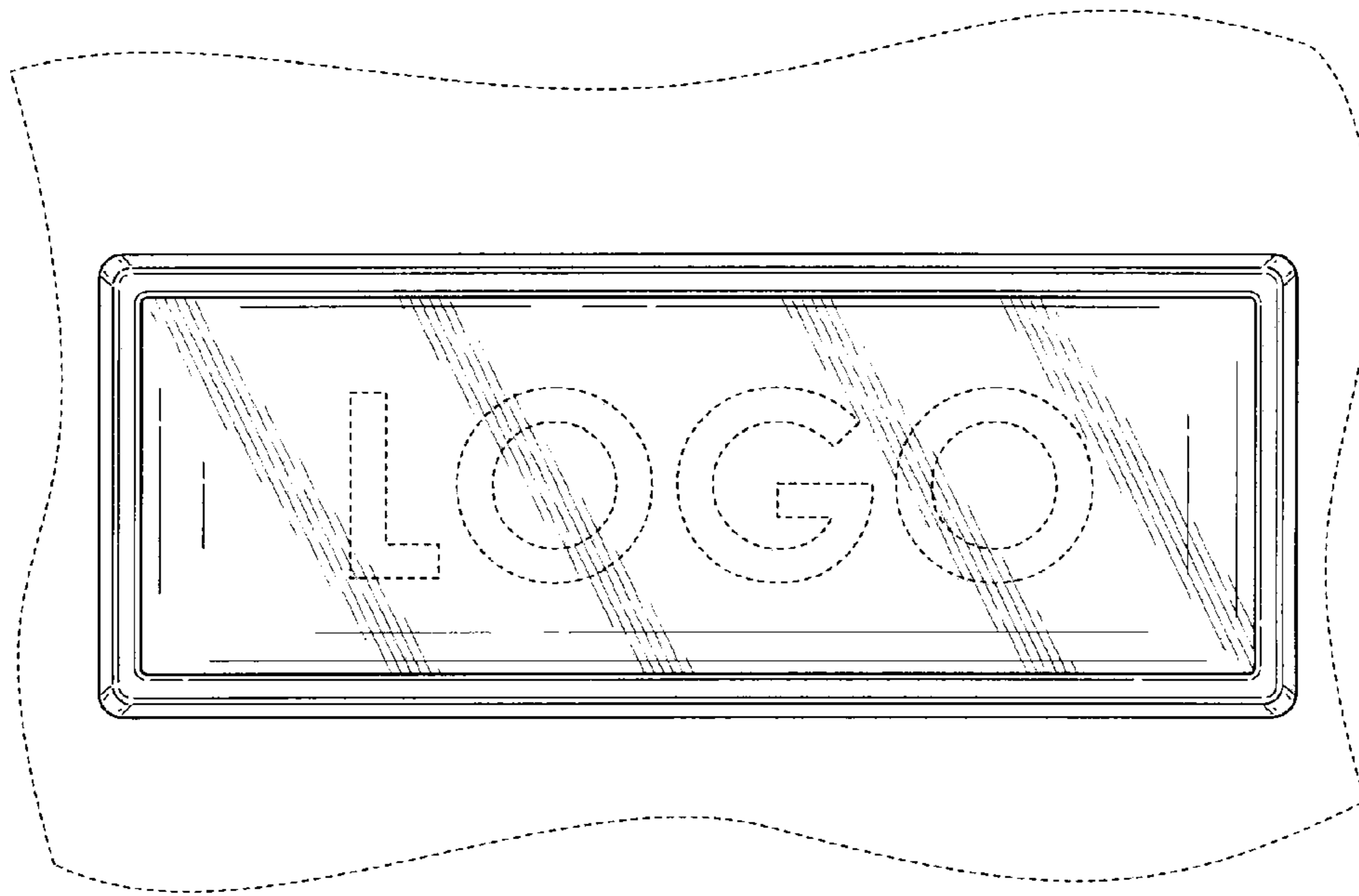


FIG. 10

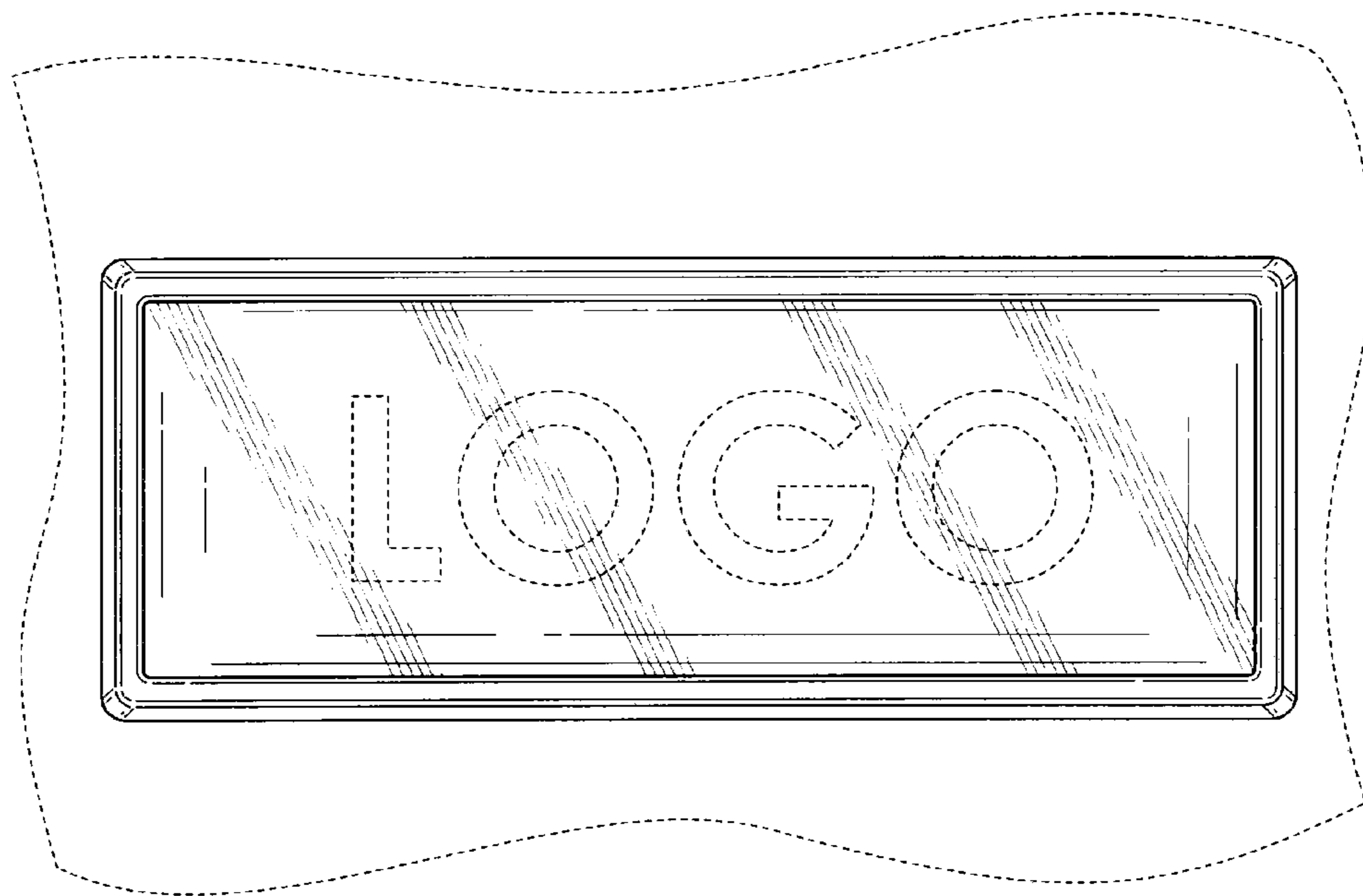


FIG. 11

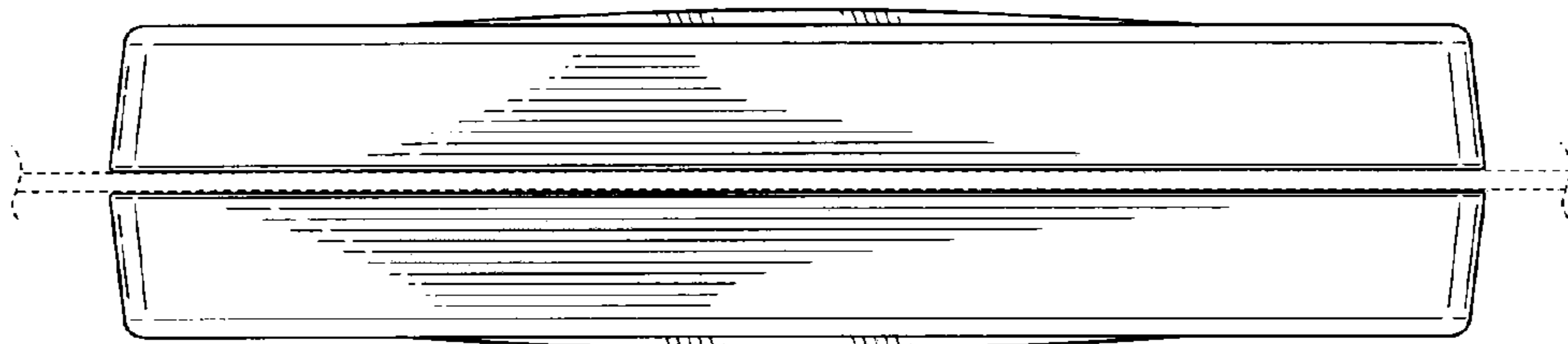


FIG. 12

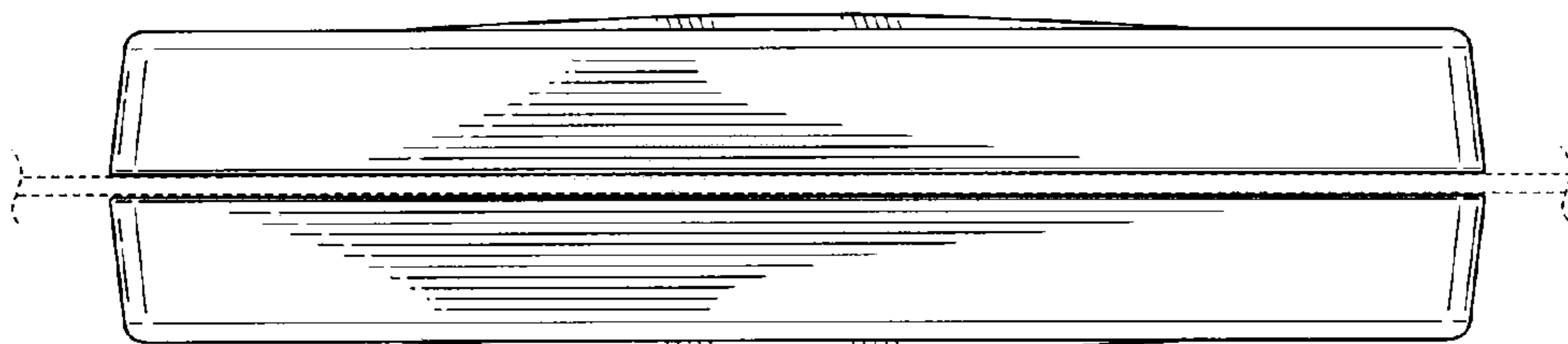


FIG. 13

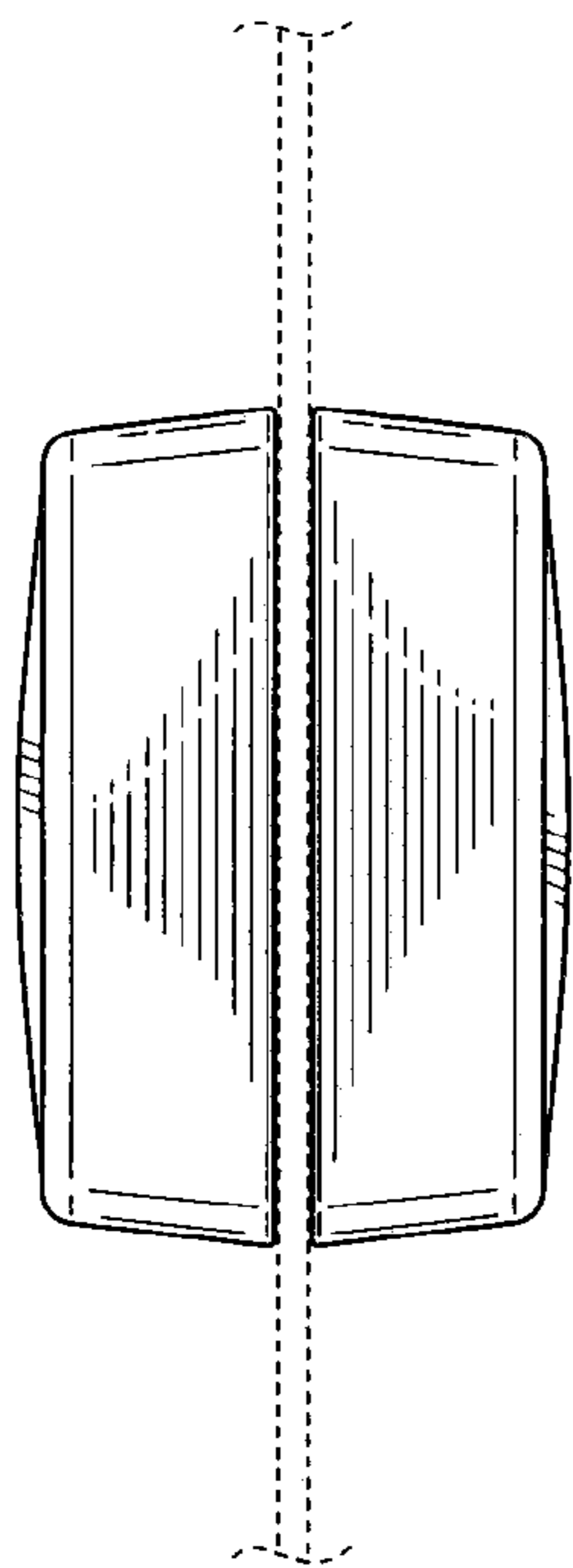


FIG. 14

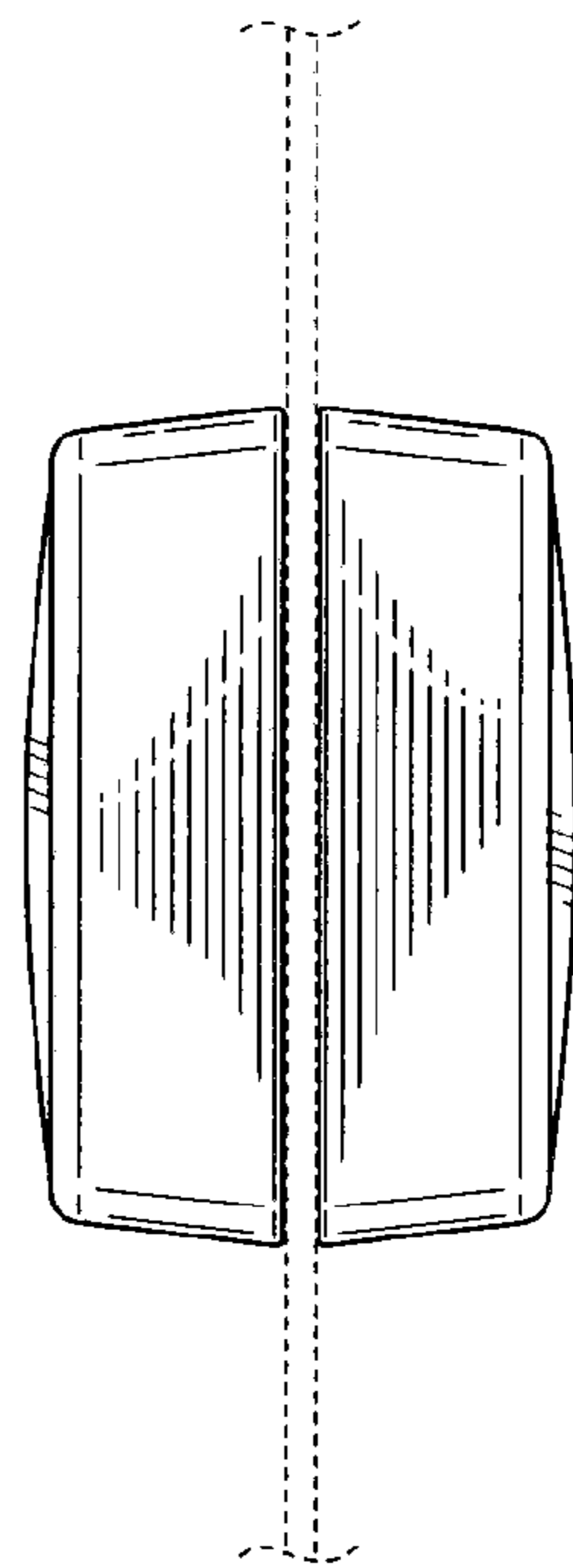


FIG. 15