



US00D723414S

(12) **United States Design Patent**  
**McBride**

(10) **Patent No.:** **US D723,414 S**  
(45) **Date of Patent:** **\*\* Mar. 3, 2015**

(54) **WATCHBAND INSERT**  
(71) Applicant: **Legacy Watch Company, LLC**, Ogden,  
UT (US)

D613,938 S \* 4/2010 Alexander ..... D2/976  
D627,146 S \* 11/2010 Kantor et al. .... D2/976  
D630,425 S \* 1/2011 Olaverri et al. .... D2/976  
D706,158 S \* 6/2014 Rabassa ..... D11/3

(72) Inventor: **Jon McBride**, Kaysville, UT (US)  
(73) Assignee: **Legacy Watch Company, LLC**, Ogden,  
UT (US)

**OTHER PUBLICATIONS**

Photograph A of metal watchband insert, Hong Da Watch Industry Co., Ltd., Shenzhen, China, available approximately Nov. 2013.  
Photograph B of metal watchband insert, Hong Da Watch Industry Co., Ltd., Shenzhen, China, available approximately Nov. 2013.  
Photograph C of metal watchband insert, Hong Da Watch Industry Co., Ltd., Shenzhen, China, available approximately Nov. 2013.

(\*\*) Term: **14 Years**

(21) Appl. No.: **29/488,953**

\* cited by examiner

(22) Filed: **Apr. 24, 2014**

*Primary Examiner* — Zenia Bennett

(51) **LOC (10) Cl.** ..... **11-01**

(74) *Attorney, Agent, or Firm* — Holland & Hart

(52) **U.S. Cl.**  
USPC ..... **D11/86**

(57) **CLAIM**

(58) **Field of Classification Search**  
CPC ..... A44C 5/02  
USPC ..... D11/1-2, 7, 40-44, 46-49, 53, 56, 57,  
D11/59-61, 63, 65, 79-83, 86-87, 89-90,  
D11/91-92, 99, 101, 106, 114-116,  
D11/200-201; 63/18-20

The ornamental design for a watchband insert, as shown and described.

**DESCRIPTION**

See application file for complete search history.

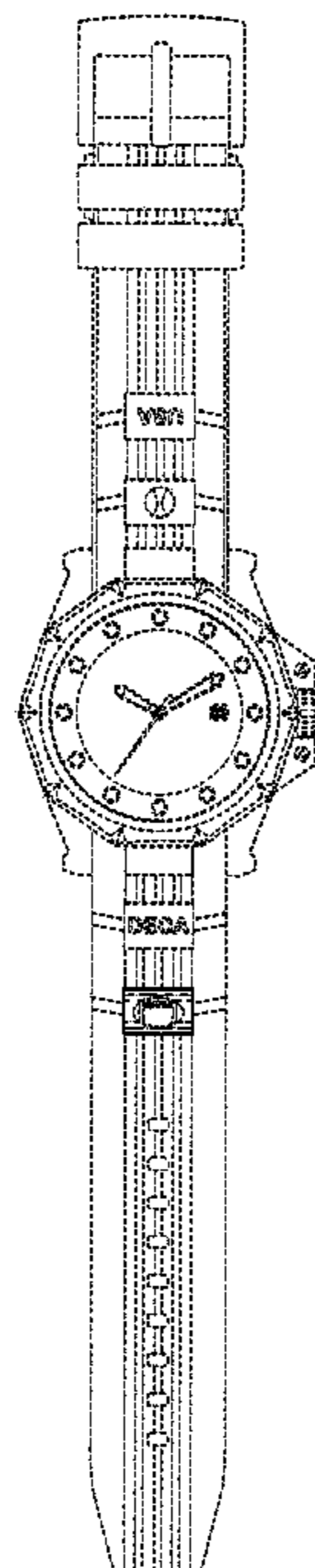
FIG. 1 is a top view of a watchband insert (with the watchband shown in phantom for context, but forming no part of the claimed invention);  
FIG. 2 is a an enlarged top view thereof;  
FIG. 3 is a top perspective view thereof;  
FIG. 4 is a top view thereof;  
FIG. 5 is a right side elevation view thereof;  
FIG. 6 is a front view thereof; and,  
FIG. 7 is a bottom view thereof.  
The broken lines in the drawing are for illustrative purposes only and form no part of the claimed design.

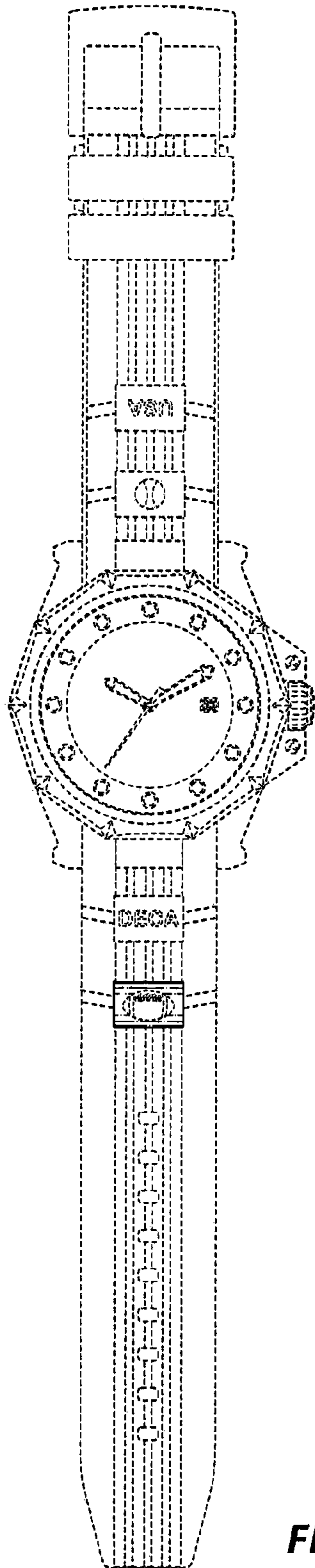
(56) **References Cited**

**U.S. PATENT DOCUMENTS**

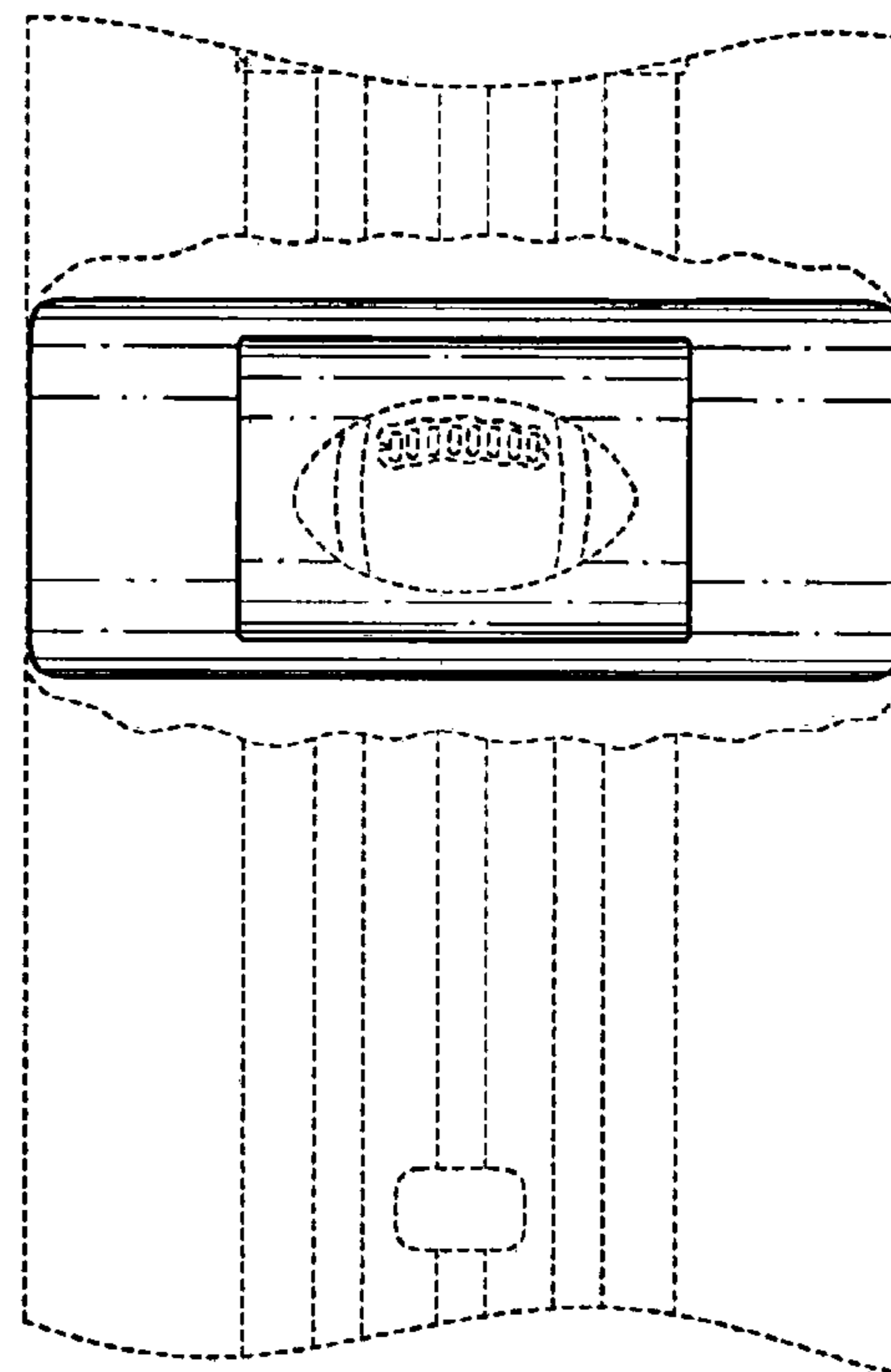
D336,059 S \* 6/1993 Chia et al. .... D11/93  
D340,005 S \* 10/1993 Butler, Jr. .... D11/80  
D379,558 S \* 6/1997 Mischenko et al. .... D3/215  
D432,939 S \* 10/2000 Hooglander ..... D11/80  
D548,432 S \* 8/2007 Martin ..... D2/946  
D562,723 S \* 2/2008 Lalo ..... D11/94  
D593,901 S \* 6/2009 Gurule ..... D11/200

**1 Claim, 2 Drawing Sheets**

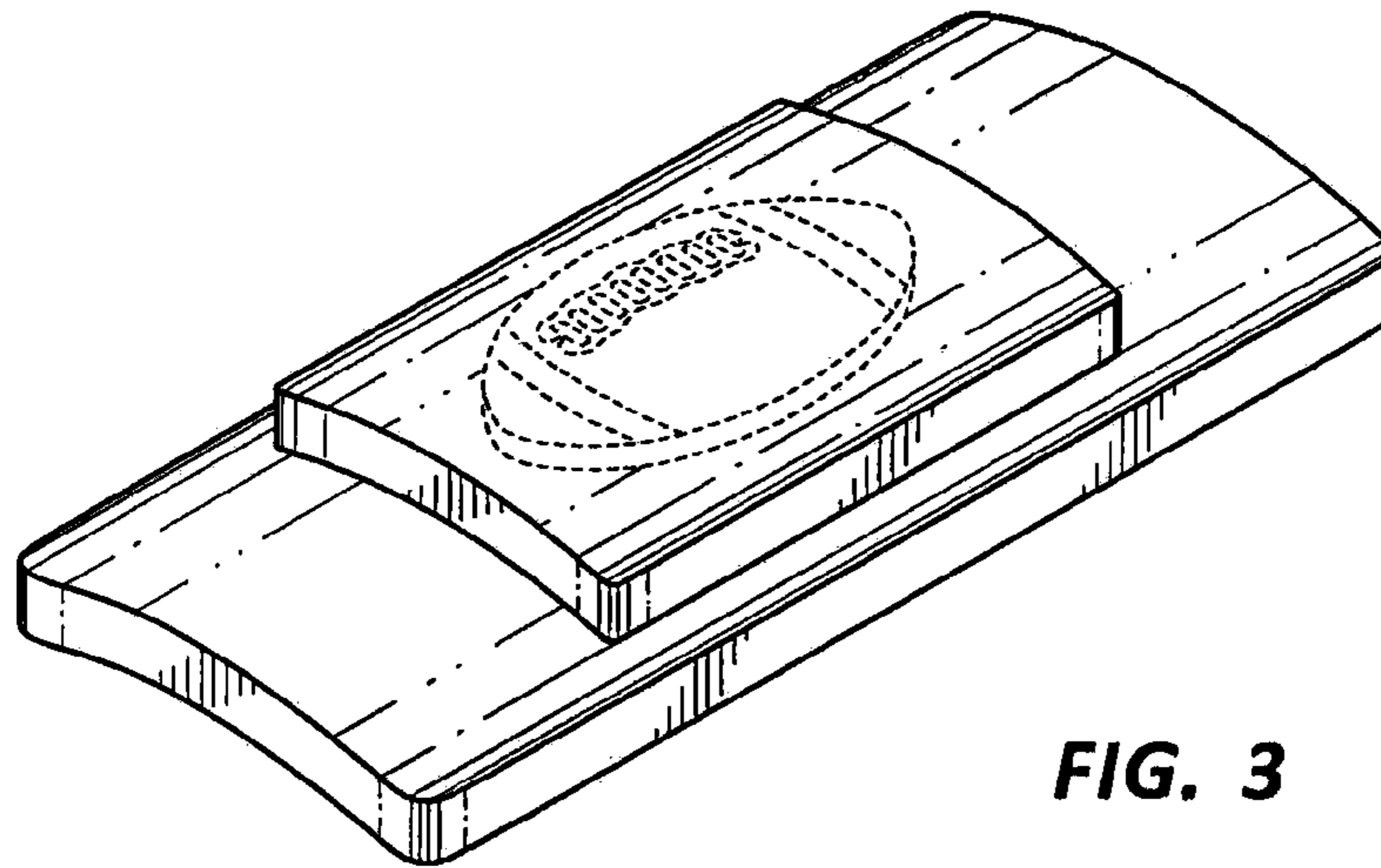




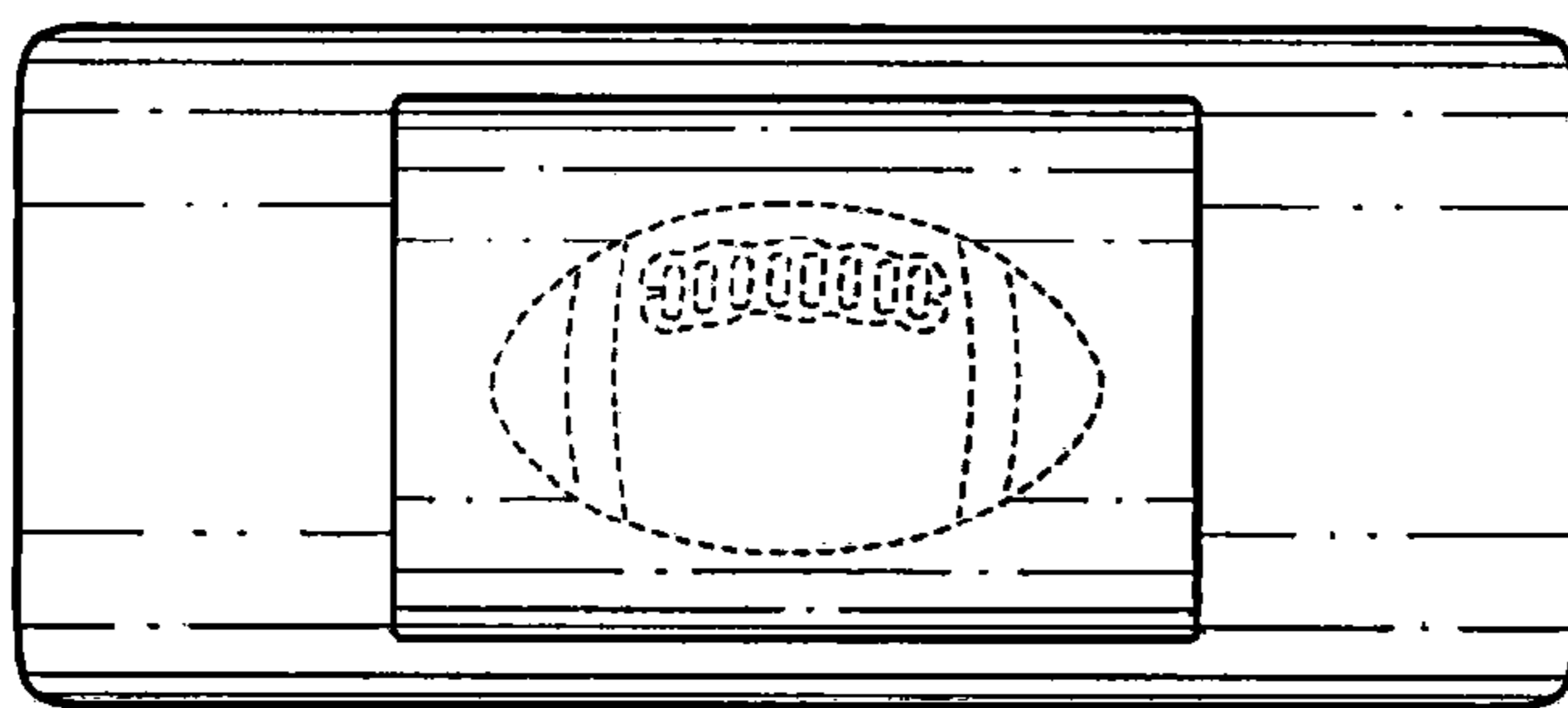
**FIG. 1**



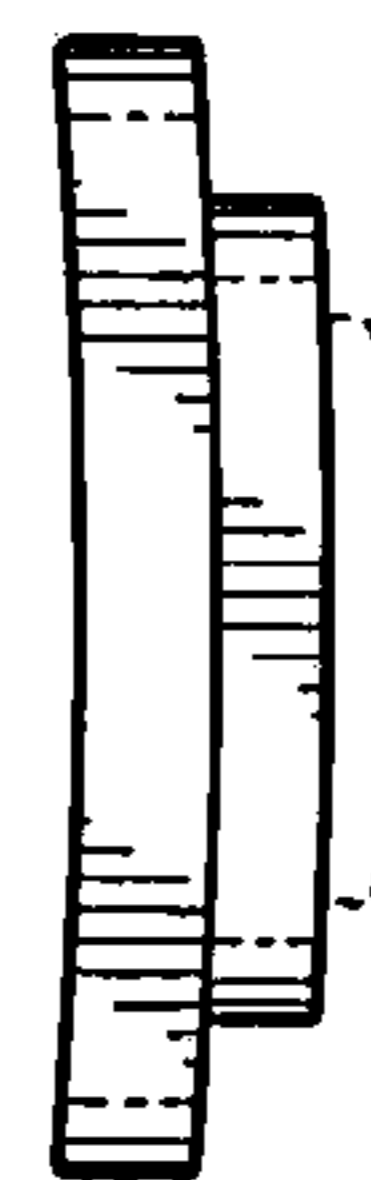
**FIG. 2**



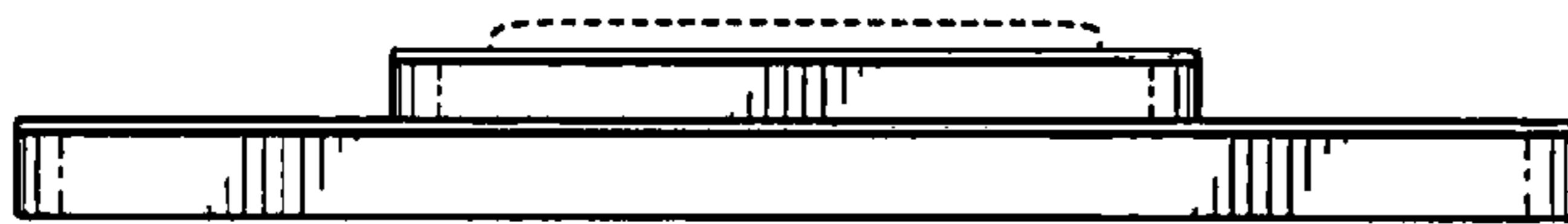
**FIG. 3**



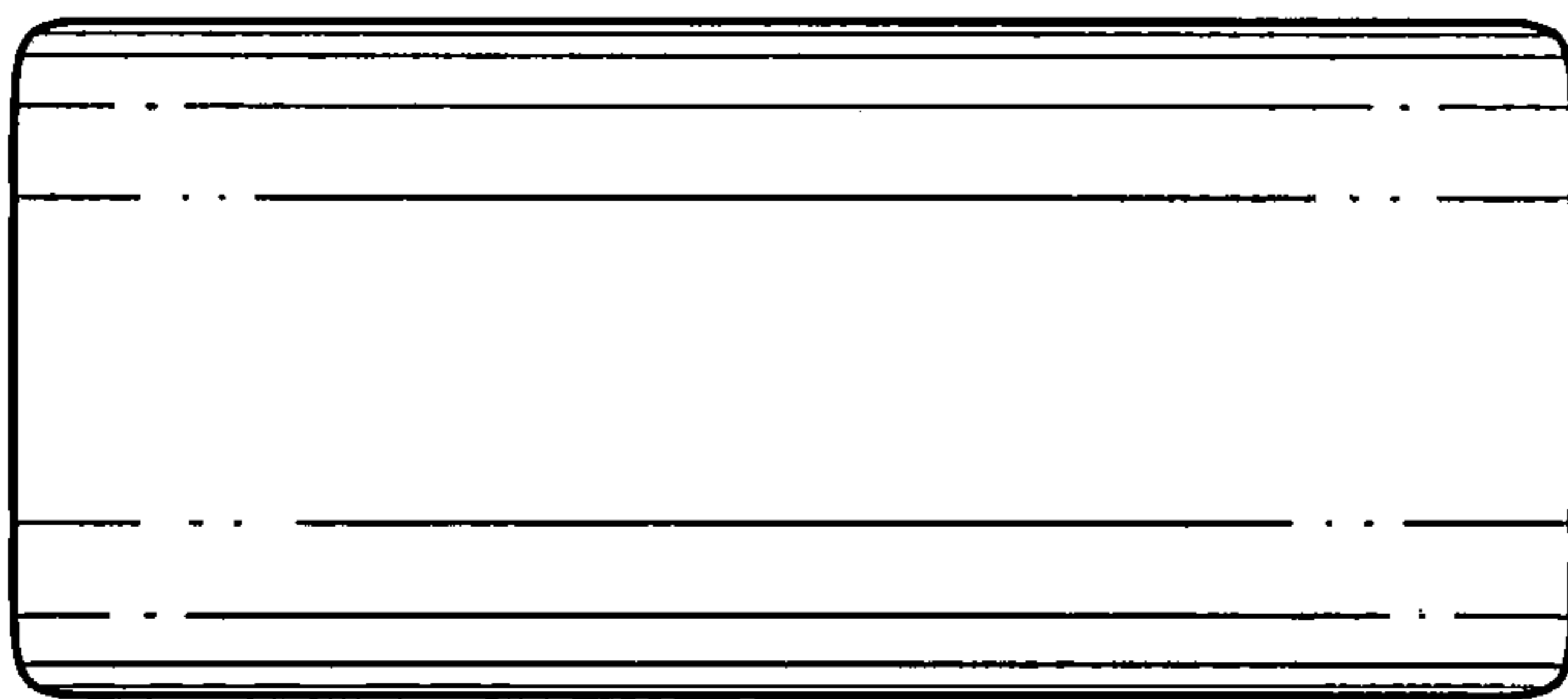
**FIG. 4**



**FIG. 5**



**FIG. 6**



**FIG. 7**