



US00D723407S

(12) **United States Design Patent**  
**Loeser**

(10) **Patent No.:** **US D723,407 S**  
(45) **Date of Patent:** **\*\* Mar. 3, 2015**

(54) **PROTECTIVE SHIELD FOR SMART ELECTRICAL METER**

(71) Applicant: **Organic Cautery, LLC**, Sandy, UT (US)

(72) Inventor: **Edward A. Loeser**, Sandy, UT (US)

(73) Assignee: **Organic Cautery, LLC**, Sandy, UT (US)

(\*\*) Term: **14 Years**

(21) Appl. No.: **29/466,954**

(22) Filed: **Sep. 13, 2013**

(51) **LOC (10) Cl.** ..... **10-04**

(52) **U.S. Cl.**  
USPC ..... **D10/103**

(58) **Field of Classification Search**

USPC ..... D10/99, 100, 102, 103; D8/349, 354, D8/380, 381, 366; D13/173, 177, 199; D14/199; 52/202, 203, 741.3, DIG. 14, 52/86, 188, 182, 191, 702, 712, 745.06, 52/189, 506.5, 586.1; 220/3.9, 484, 668, 220/DIG. 21, 9.4; 235/94 R; 257/659, 660, 257/731-733, 678; 343/872, 702, 856, 873; 361/664-667, 800, 807, 816, 1, 659; 200/304, 305; 324/156; 174/50.5-50.64, 535; 312/100, 101; 248/27.1, 200, 247, 248, 300, 237, 248/309.1, 904; 340/870.02; 29/464, 428, 29/525.01; 249/14, 208, 205; 403/169, 403/167

See application file for complete search history.

(56) **References Cited**

U.S. PATENT DOCUMENTS

D280,800 S *	10/1985	Chalberg	.....	D8/380
D422,886 S *	4/2000	Shea	.....	D8/354
D503,231 S *	3/2005	Daugherty	.....	D8/354
D621,692 S *	8/2010	Clarke	.....	D8/354
D684,033 S *	6/2013	Preda	.....	D8/354
8,733,723 B2 *	5/2014	Smith et al.	.....	248/300

\* cited by examiner

*Primary Examiner* — Antoine D Davis

(74) *Attorney, Agent, or Firm* — TraskBritt, P.C.

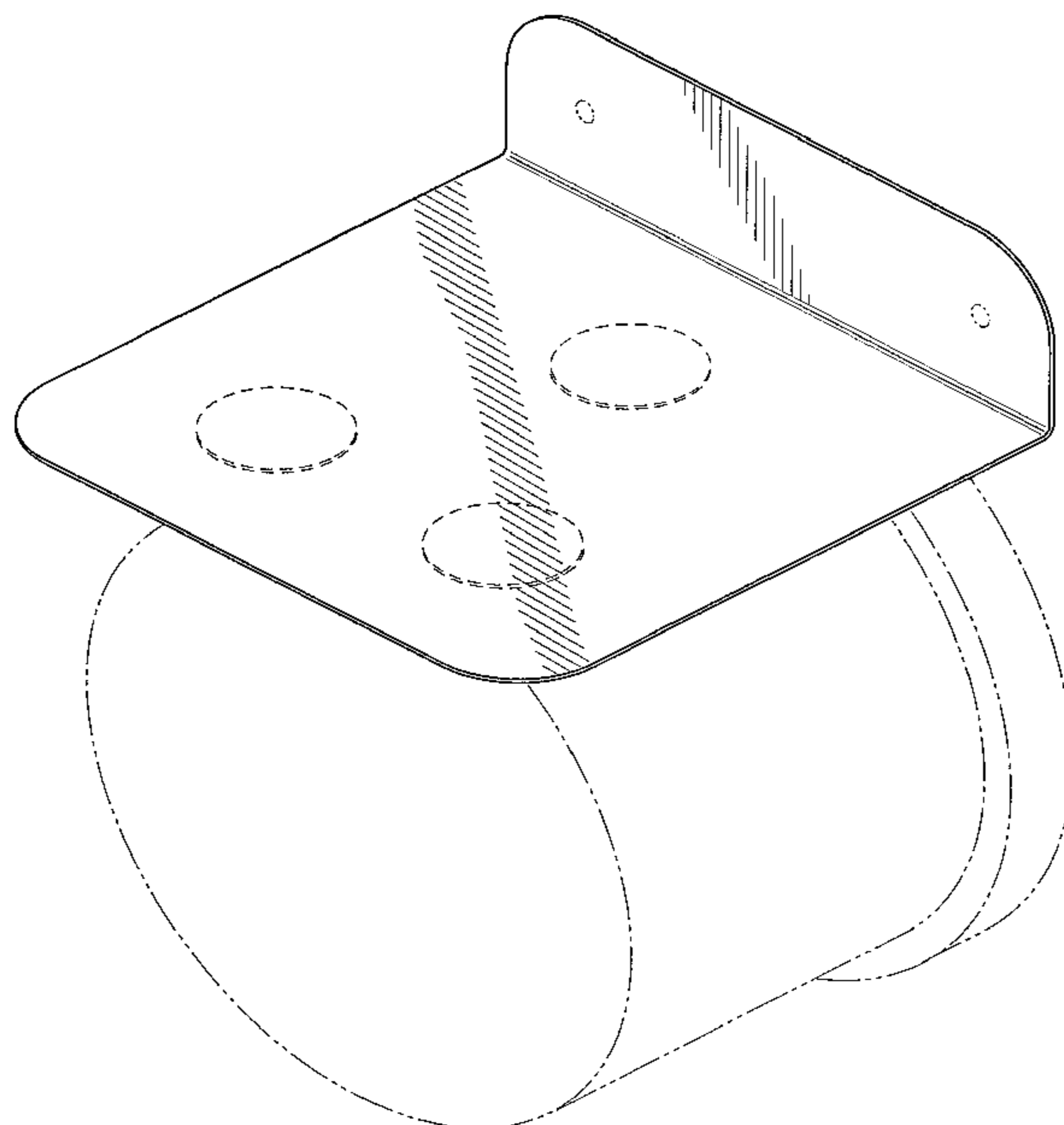
(57) **CLAIM**

The ornamental design for a protective shield for smart electrical meter, as shown and described.

**DESCRIPTION**

FIG. 1 is an isometric view showing a design; FIG. 2 is a top view of the design; FIG. 3 is a bottom view of the design; FIG. 4 is a front view of the design; FIG. 5 is a rear view of the design; FIG. 6 is a right side view of the design; and, FIG. 7 is a left side view of the design. The broken line portions of FIGS. 1 through 7 are for the purpose of illustrating environmental structure and form no part of the claimed design.

**1 Claim, 3 Drawing Sheets**



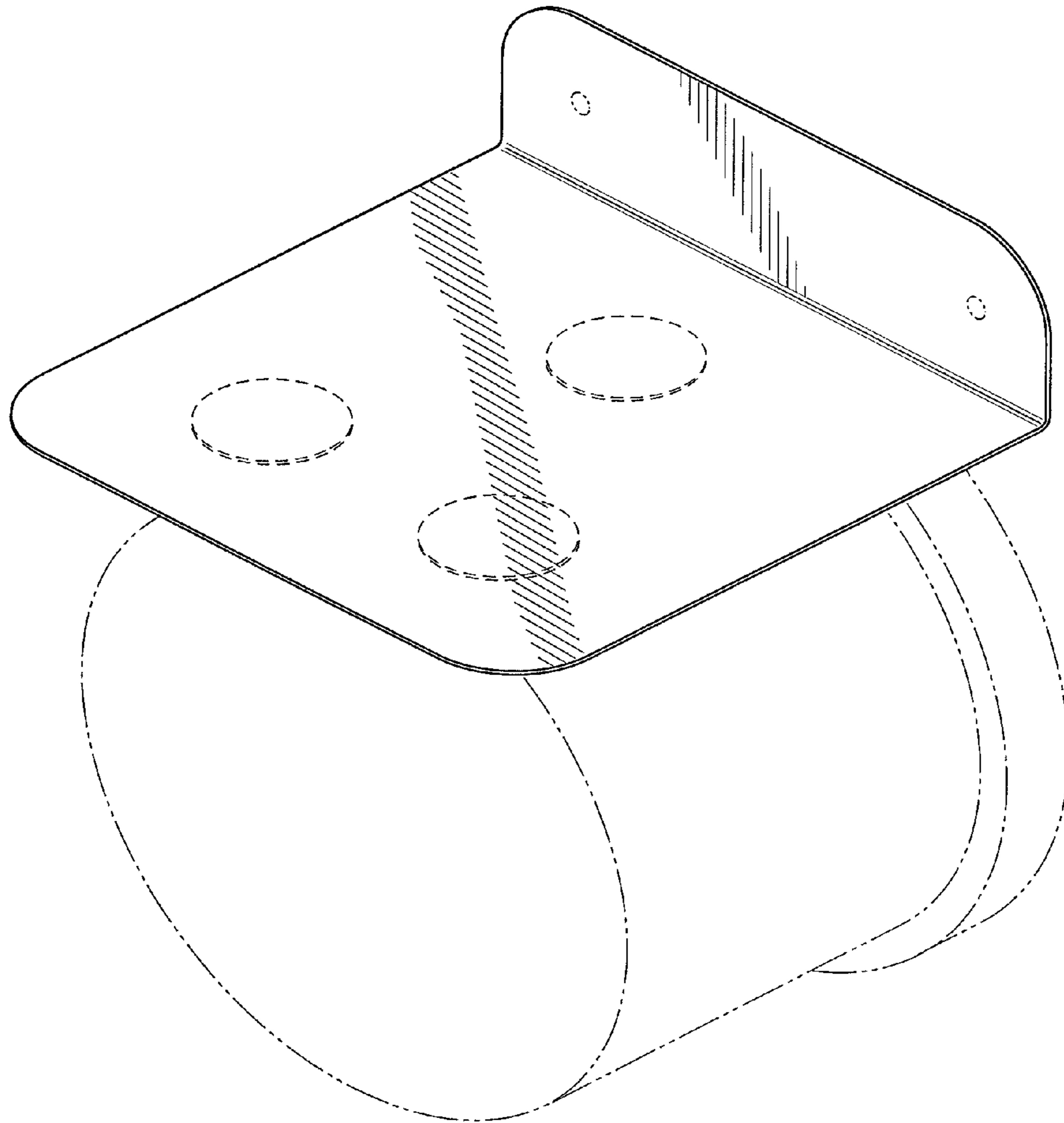
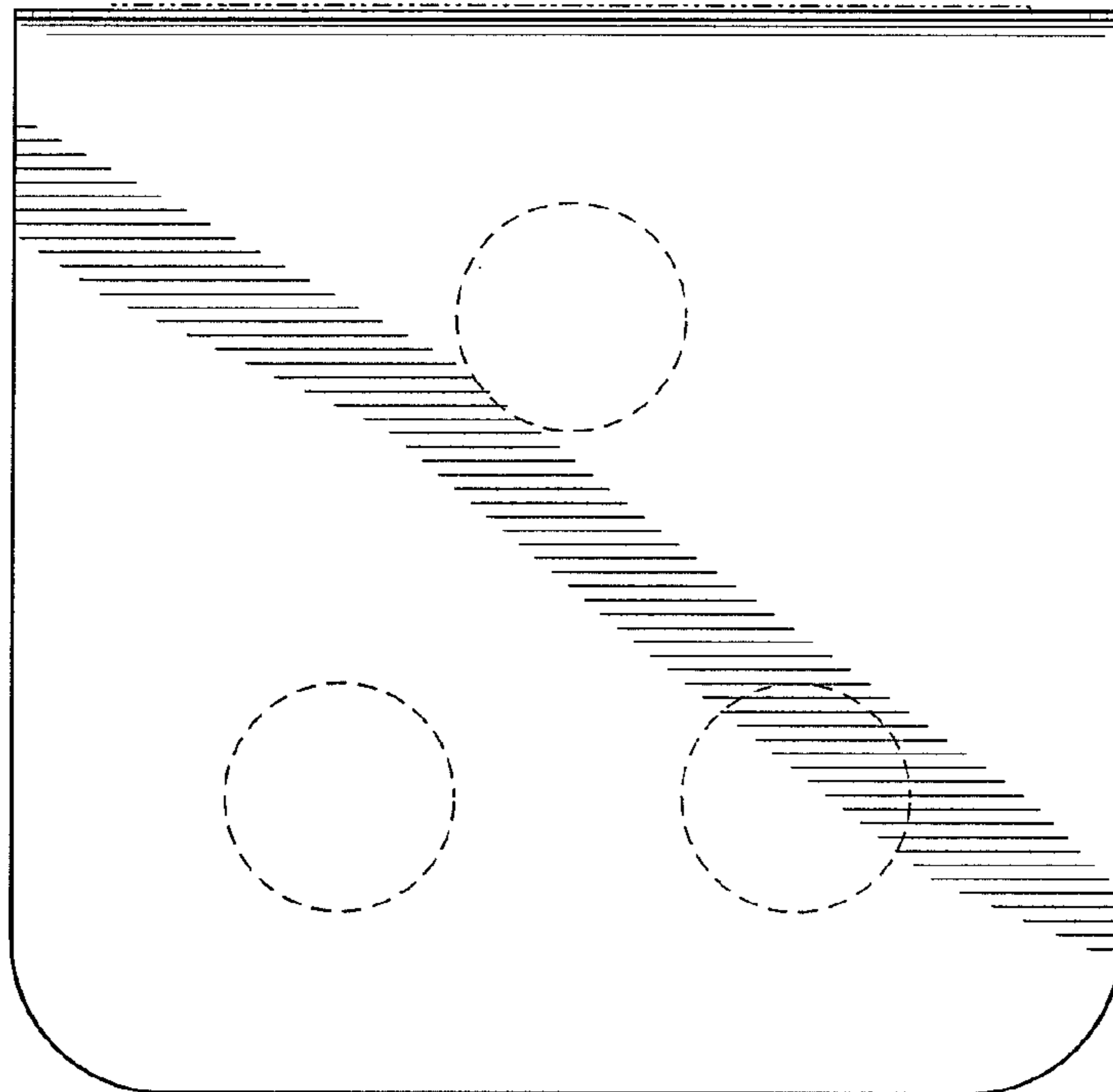
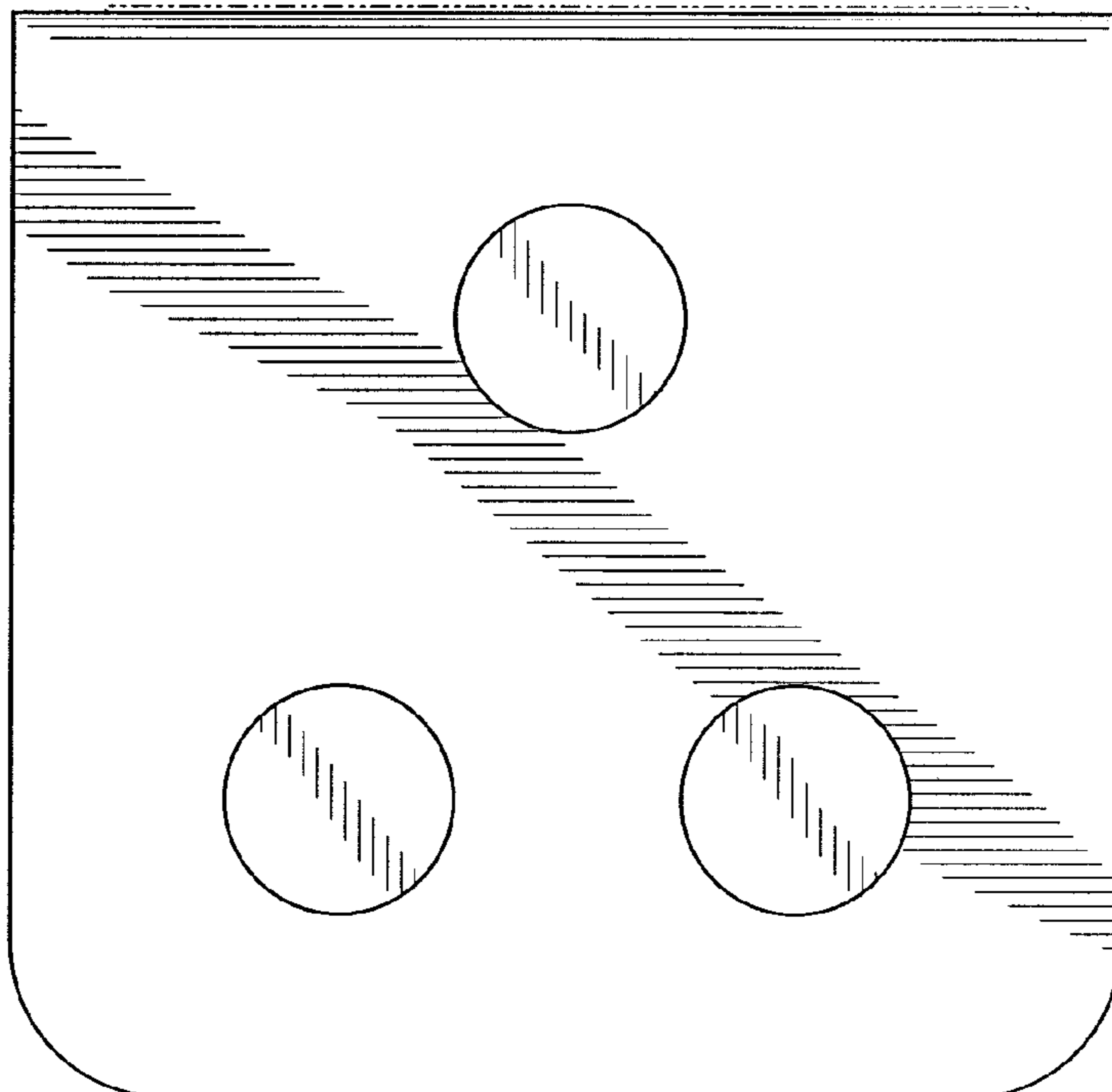


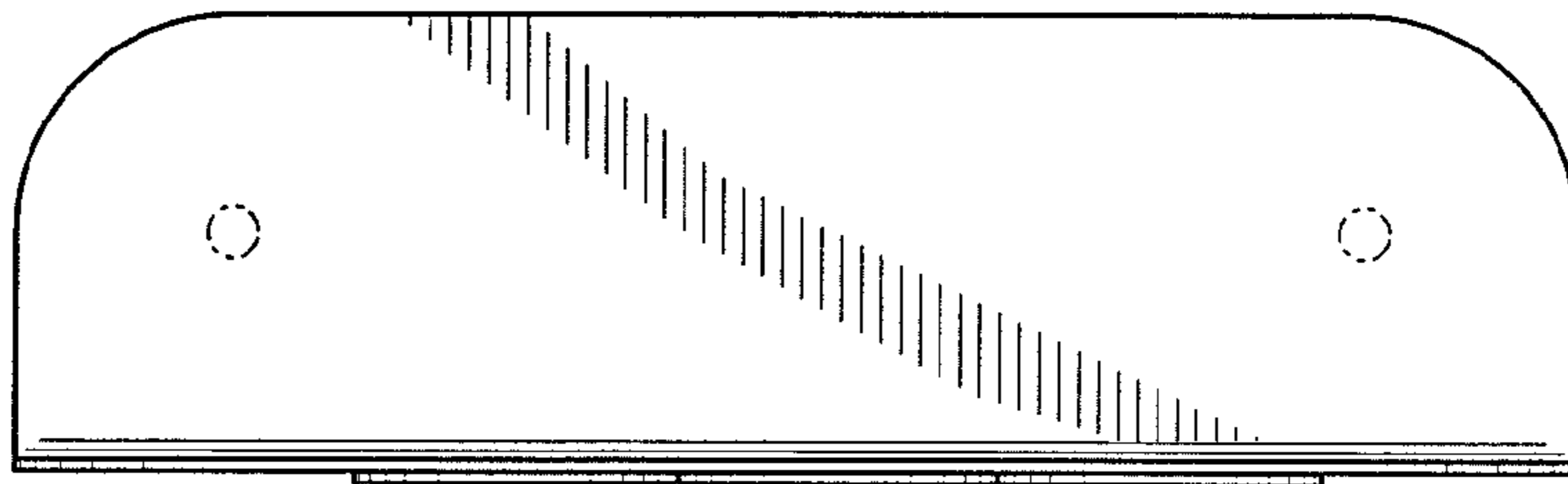
FIG. 1



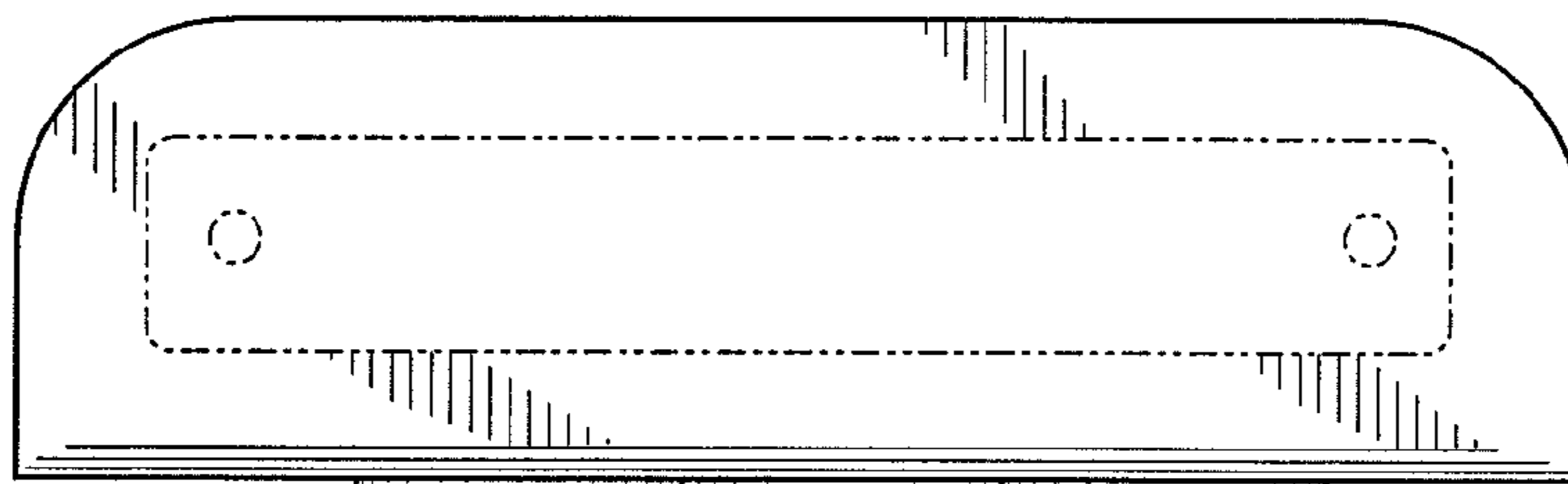
**FIG. 2**



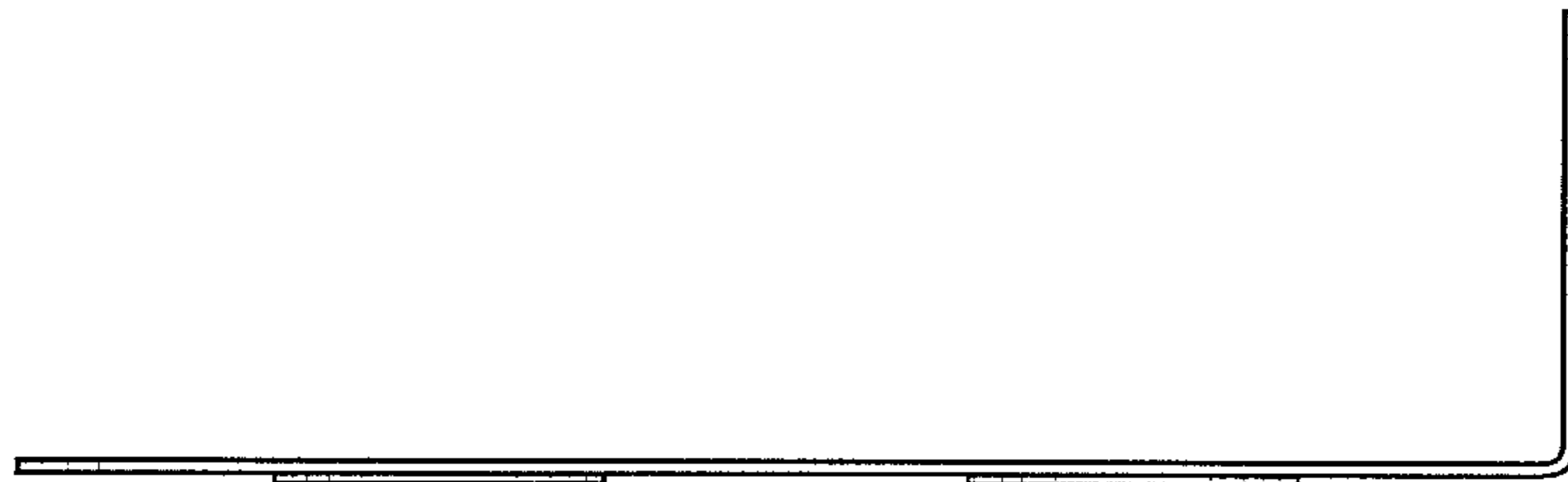
**FIG. 3**



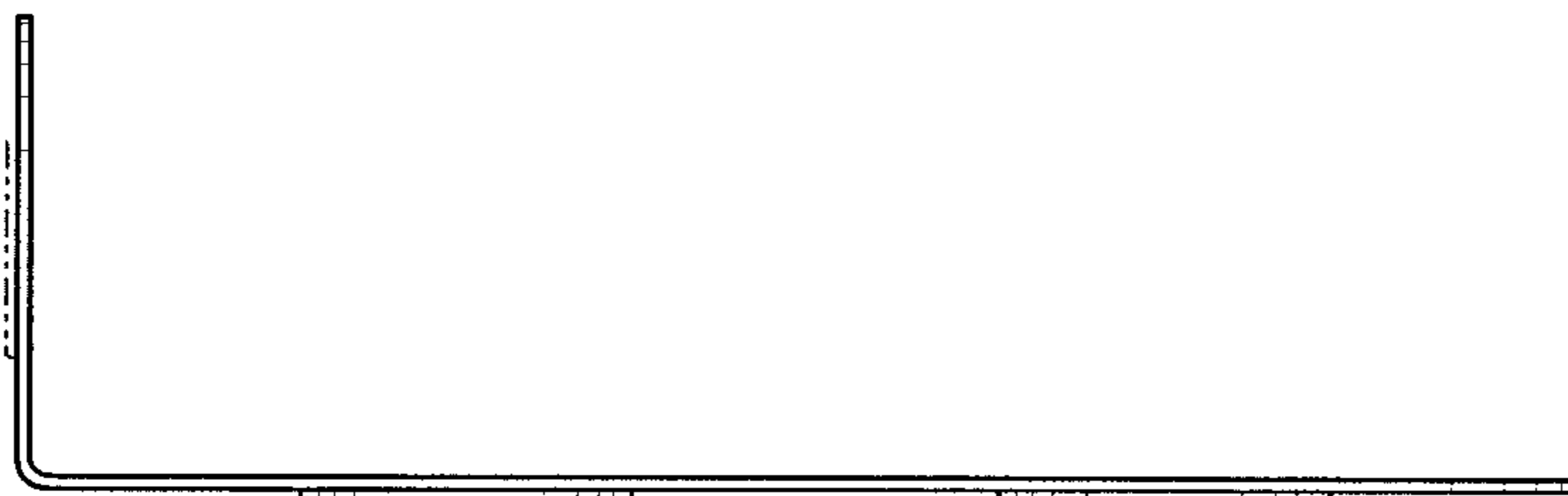
**FIG. 4**



**FIG. 5**



**FIG. 6**



**FIG. 7**