



US00D723402S

(12) **United States Design Patent**
Kobayashi

(10) **Patent No.:** **US D723,402 S**
(45) **Date of Patent:** **** Mar. 3, 2015**

(54) **IN-VEHICLE RADAR WITH CAMERA**

(71) Applicant: **Honda elesys Co., Ltd.**, Yokohama-shi,
Kanagawa-ken (JP)

(72) Inventor: **Takayuki Kobayashi**, Yokohama (JP)

(73) Assignee: **Honda Elesys Co., Ltd.**, Yokohama-shi
(JP)

(**) Term: **14 Years**

(21) Appl. No.: **29/477,051**

(22) Filed: **Dec. 19, 2013**

(51) **LOC (10) Cl.** **10-04**

(52) **U.S. Cl.**
USPC **D10/80**

(58) **Field of Classification Search**

USPC D10/65, 70; D14/138 R, 138 AA,
D14/138 AB, 138 AC, 138 AD, 341-347,
D14/507-510, 136, 167, 168, 496, 498, 499,
D14/500, 125-134, 239, 371, 374-377, 440,
D14/450, 448, 336, 342; 343/702; 345/87,
345/104, 133, 156, 168, 173, 901-905,
345/165; 348/180, 184, 315, 739, 836, 838,
348/325; 364/444, 499; 701/408-418, 431,
701/432, 537, 1, 454, 428, 440, 400, 491,
701/526, 455, 444, 36, 541, 487; 312/7.2;
341/12; 720/605, 669, 600, 655;
369/99, 197; 455/344, 347, 575.1;
250/221, 338.3, 340, 239, 342, 341,
250/DIG. 1, 353, 338.1; 307/116, 117, 9.1,
307/10.1; 340/521, 527, 541, 567, 540,
340/568.2, 539.23, 635, 687, 425.5, 815.4,
340/901, 988, 989, 990, 992, 995.1, 562,
340/815.45; 315/159; 324/72.5, 556, 133,
324/149, 503, 543, 555, 66, 72, 754, 115,
324/141, 522

See application file for complete search history.

(56) **References Cited**

U.S. PATENT DOCUMENTS

D609,589 S * 2/2010 Nakata et al. D10/65
8,405,726 B2 3/2013 Schofield et al.
D700,081 S * 2/2014 Balschweit et al. D10/65

FOREIGN PATENT DOCUMENTS

JP D1426200 9/2011

* cited by examiner

Primary Examiner — Antoine D Davis

(74) *Attorney, Agent, or Firm* — Rankin, Hill & Clark LLP

(57) **CLAIM**

We claim the ornamental design for an in-vehicle radar with camera, as shown.

DESCRIPTION

FIG. 1 is a top-left perspective view of an in-vehicle radar with camera.

FIG. 2 is a bottom-left perspective view of the in-vehicle radar with camera.

FIG. 3 is a front elevation view thereof.

FIG. 4 is a rear elevation view thereof.

FIG. 5 is a left-side view thereof.

FIG. 6 is a right-side view thereof.

FIG. 7 is a top plan view thereof; and,

FIG. 8 is a bottom plan view thereof.

The in-vehicle radar with camera is used by being mounted, for example, on a windshield of an automobile. The in-vehicle radar with camera irradiates an object outside the automobile with a radar beam, receives a radar reflection beam from the object, and takes a picture of the object by the camera.

1 Claim, 6 Drawing Sheets

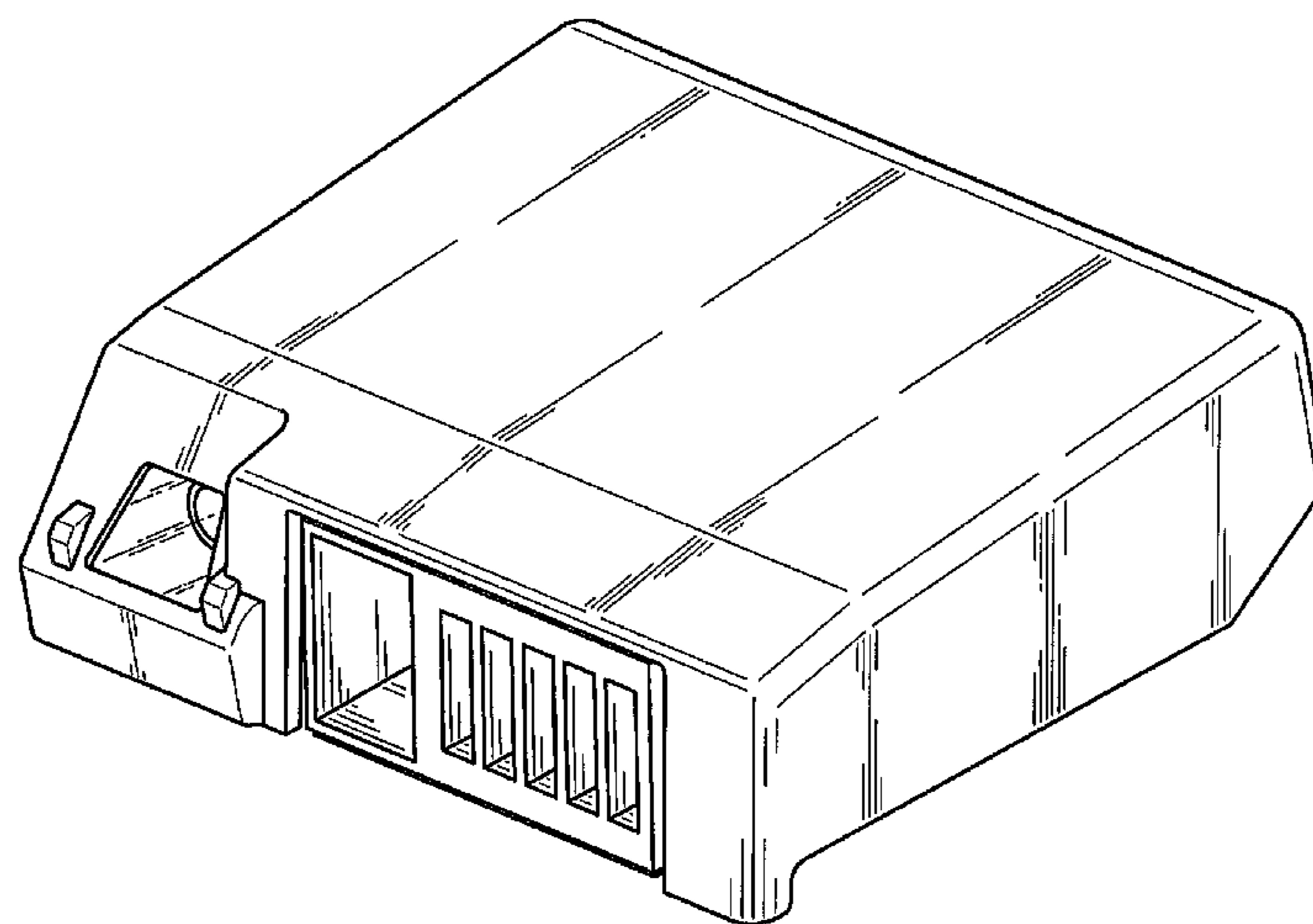


FIG. 1

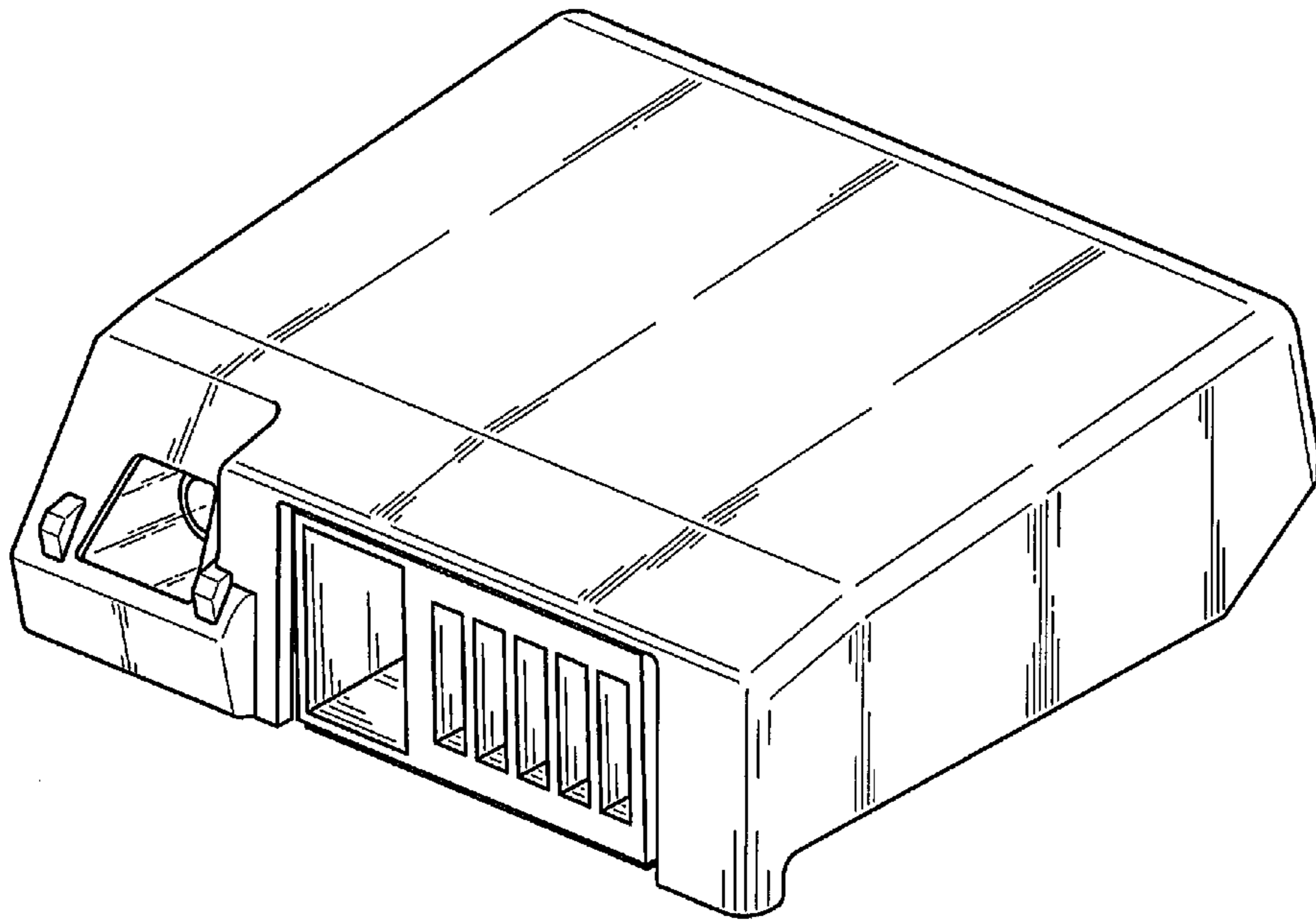


FIG.2

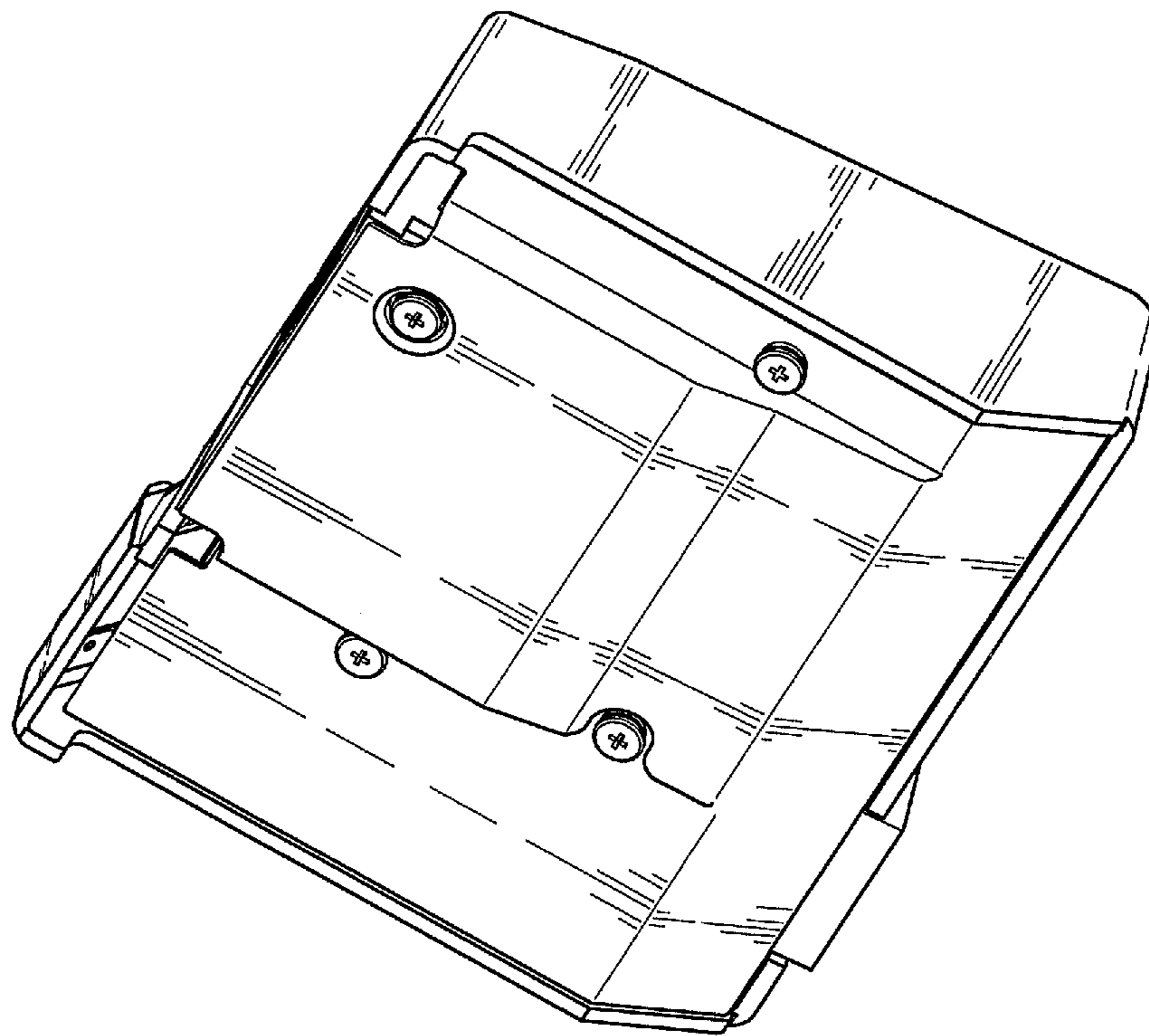


FIG.3

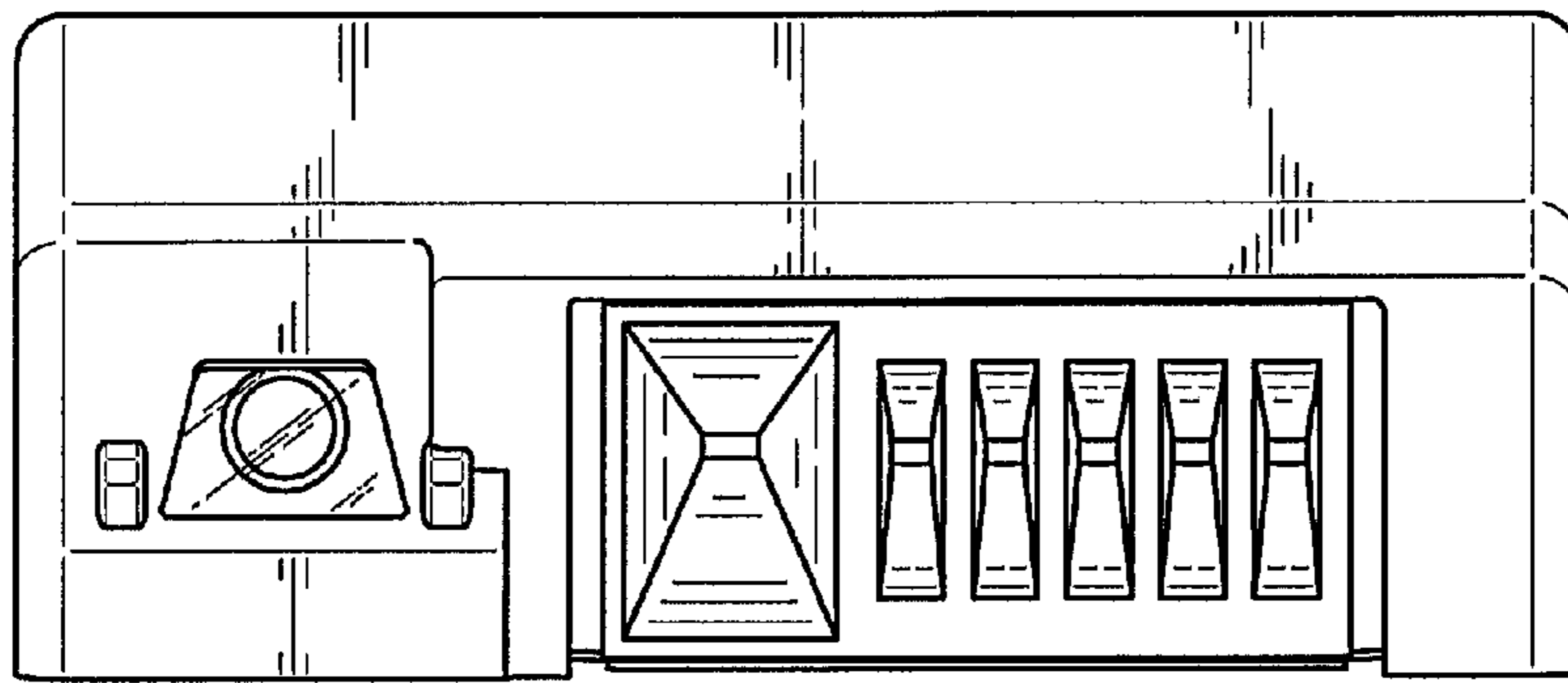


FIG.4

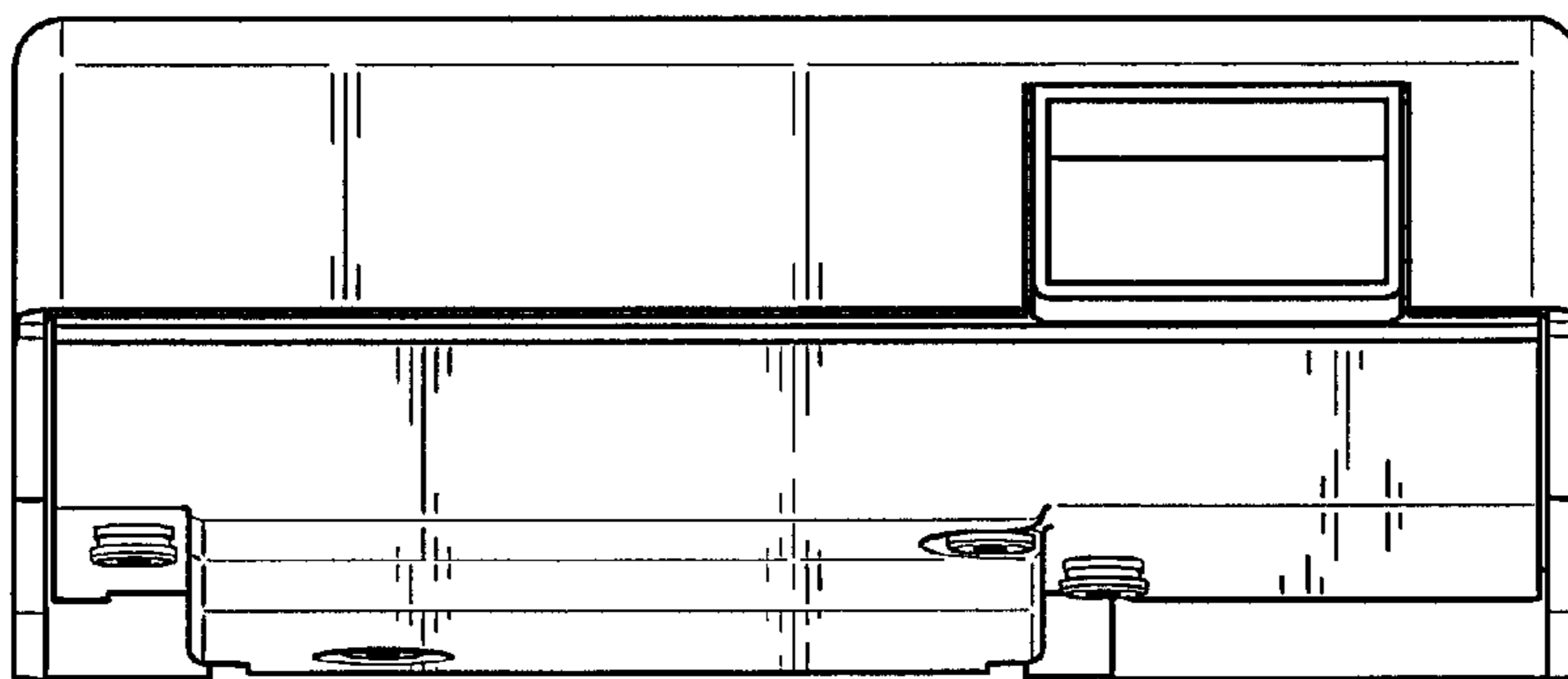


FIG.5

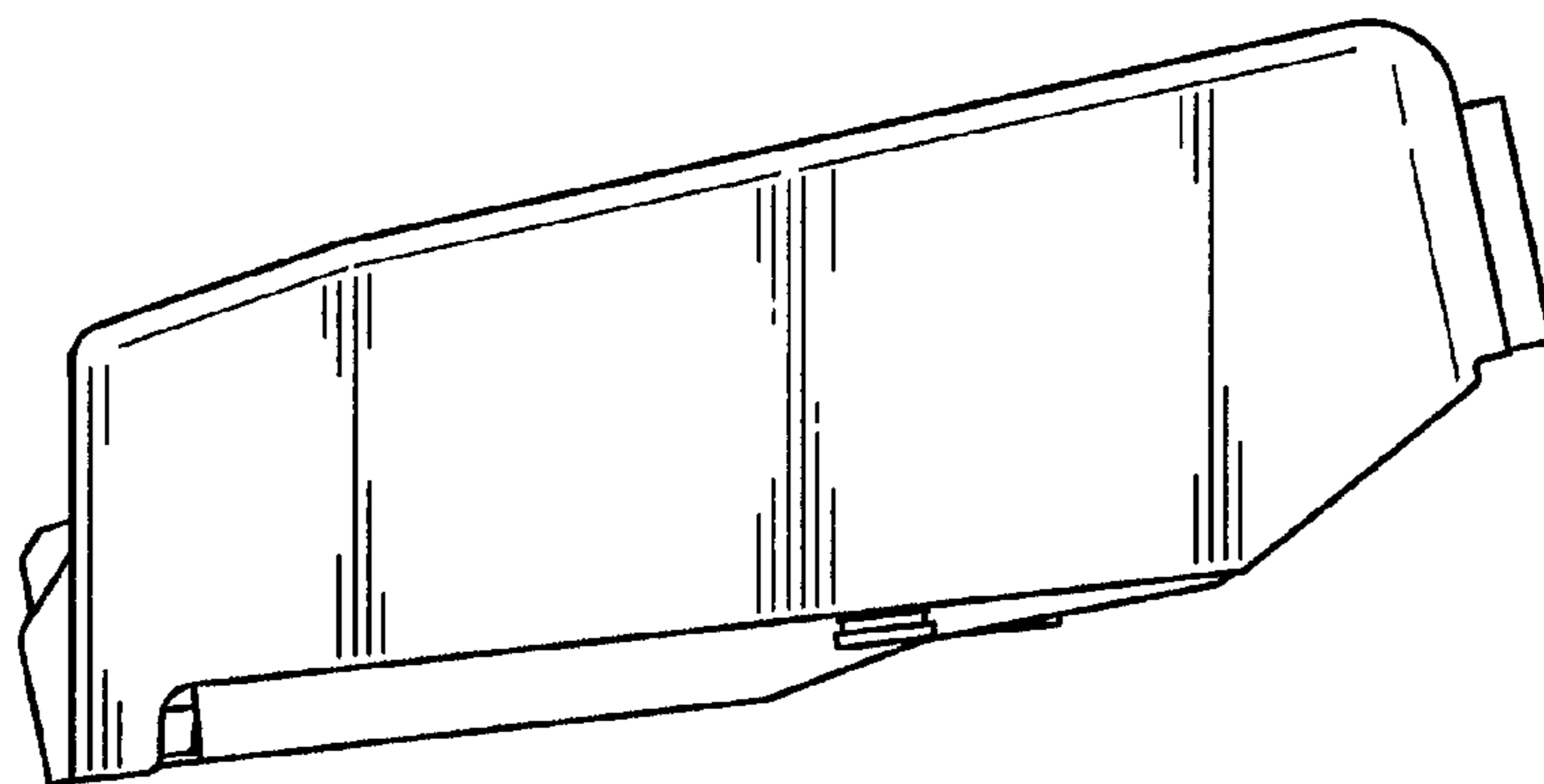


FIG.6

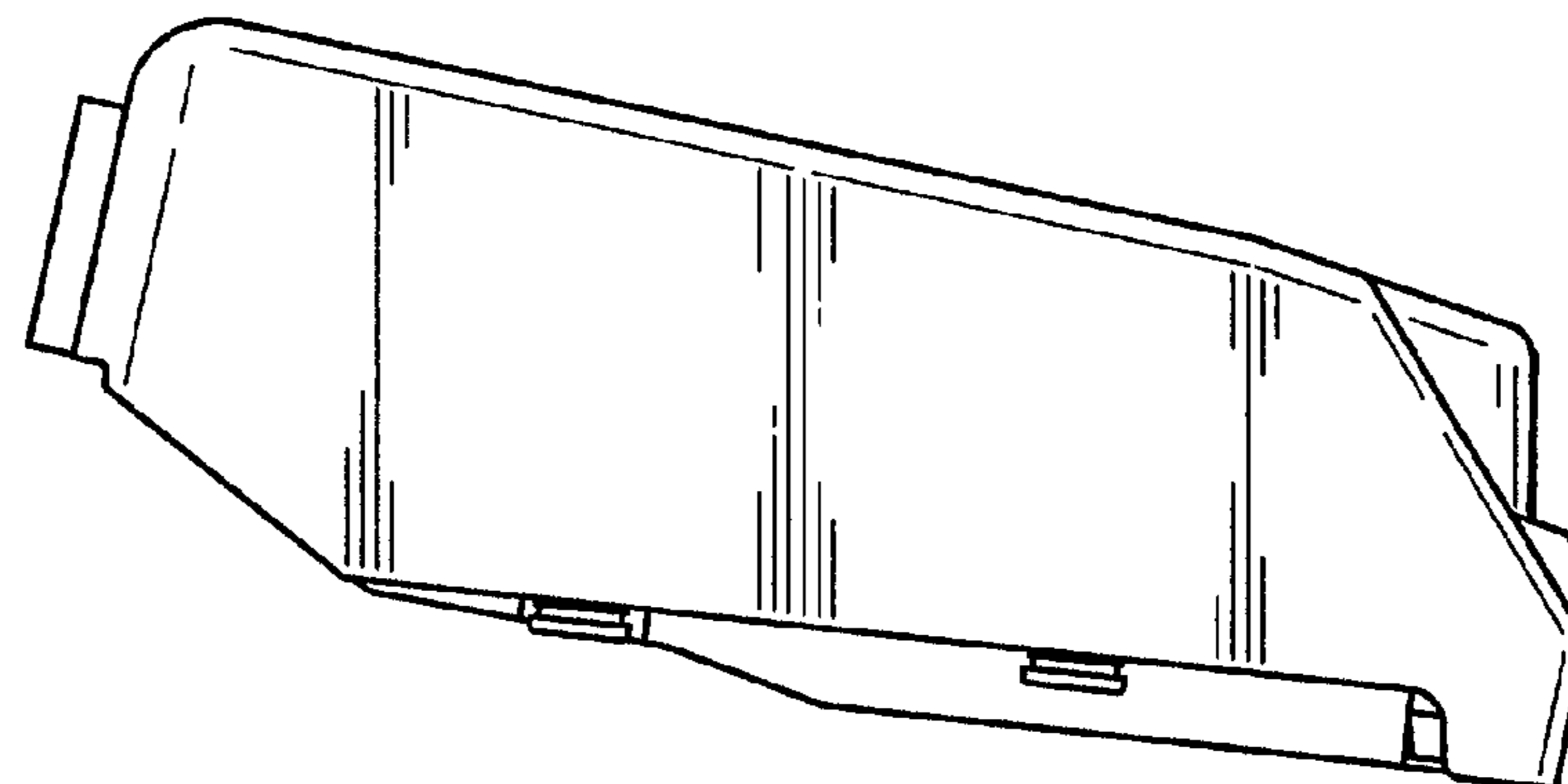


FIG.7

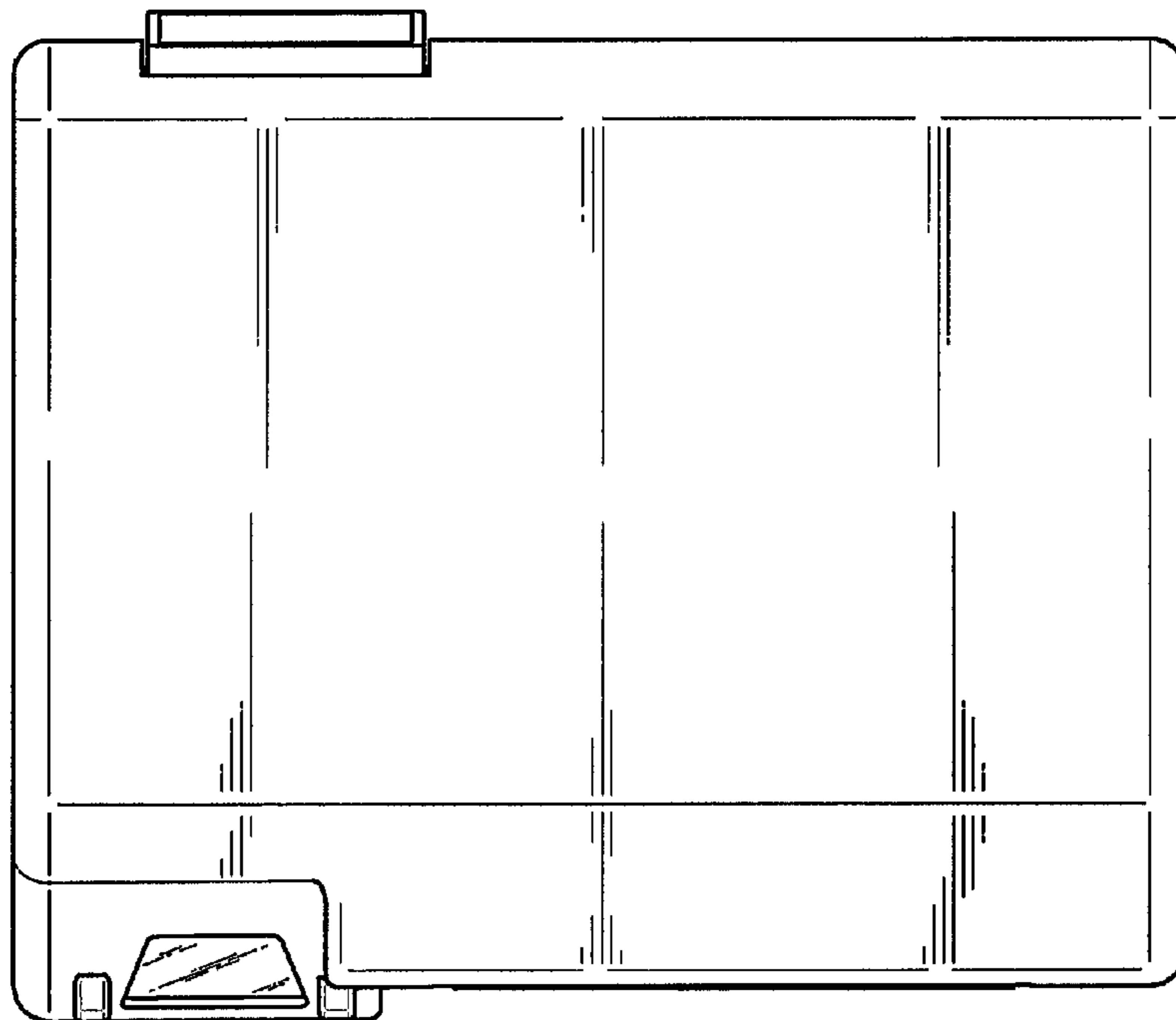


FIG.8

