



US00D723399S

(12) **United States Design Patent**
Sullivan

(10) **Patent No.:** **US D723,399 S**
(45) **Date of Patent:** **** Mar. 3, 2015**

(54) **BUBBLE-LEVEL CLIP**

2013/0283625 A1* 10/2013 Sullivan 33/371

(71) Applicant: **Scott Sullivan**, San Francisco, CA (US)

* cited by examiner

(72) Inventor: **Scott Sullivan**, San Francisco, CA (US)

Primary Examiner — Antoine D Davis

(**) Term: **14 Years**

(57) **CLAIM**

(21) Appl. No.: **29/471,849**

The ornamental design for a bubble-level clip, as shown and described.

(22) Filed: **Nov. 6, 2013**

(51) **LOC (10) Cl.** **10-04**

(52) **U.S. Cl.**
USPC **D10/69**

(58) **Field of Classification Search**
CPC G01C 9/18; G01C 9/24; G01C 9/26;
G01C 9/28; G01C 9/32; G01C 9/34
USPC D10/69; 33/365, 366.11–366.27,
33/367–391
See application file for complete search history.

DESCRIPTION

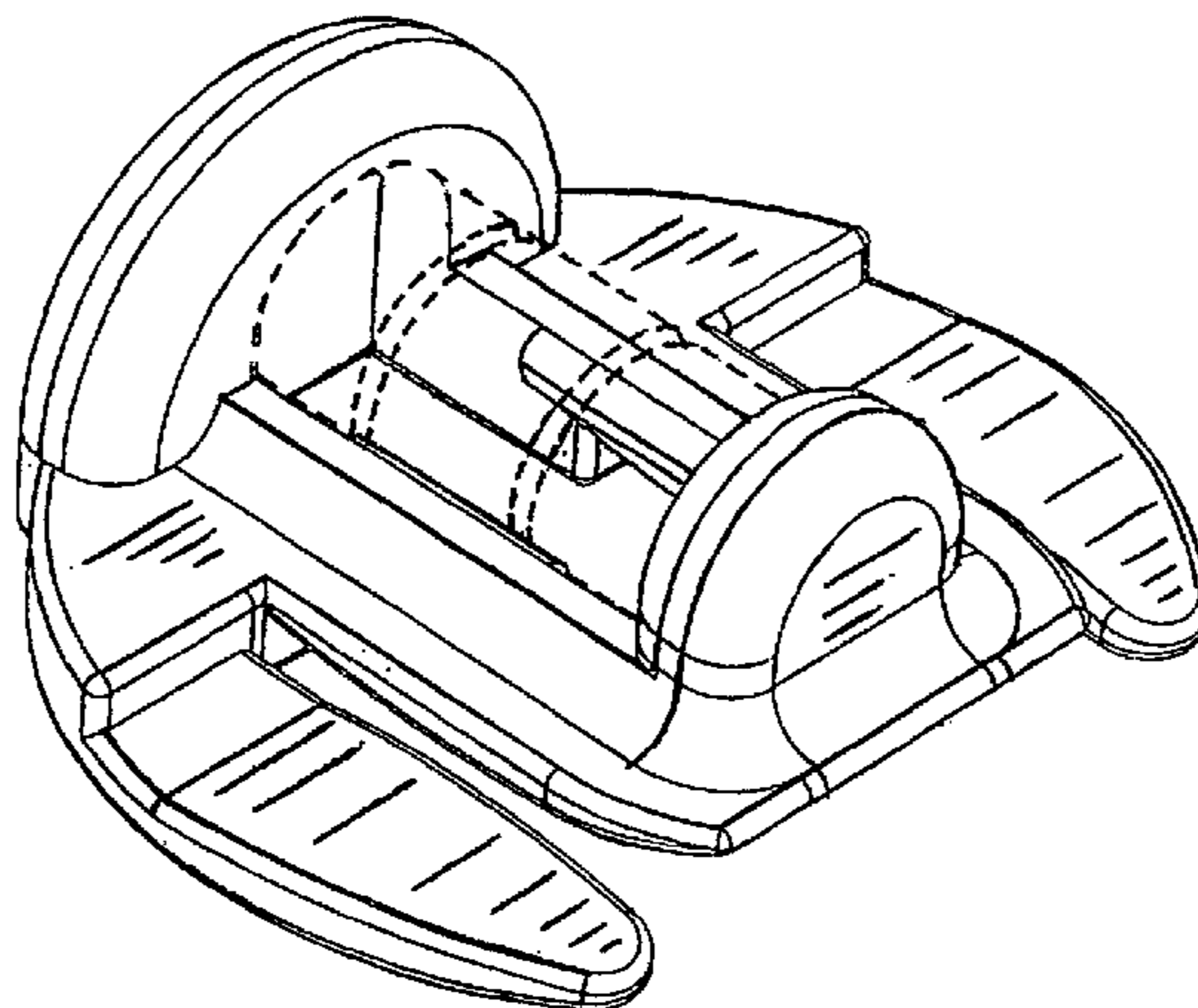
FIG. 1 is a front perspective view of a bubble-level clip showing my new design including a bubble-level vial shown in broken lines;
FIG. 2 is a front elevation view thereof;
FIG. 3 is a rear elevation view thereof;
FIG. 4 is a right elevation view thereof;
FIG. 5 is a left elevation view thereof;
FIG. 6 is a top plan view thereof; and,
FIG. 7 is a bottom plan view thereof.
The broken lines representing a bubble-level vial shown in some of the views are for illustrative purposes only and form no part of the claimed design.

(56) **References Cited**

U.S. PATENT DOCUMENTS

D579,803 S * 11/2008 Crain et al. D10/69
D610,925 S * 3/2010 Pater D10/62

1 Claim, 4 Drawing Sheets



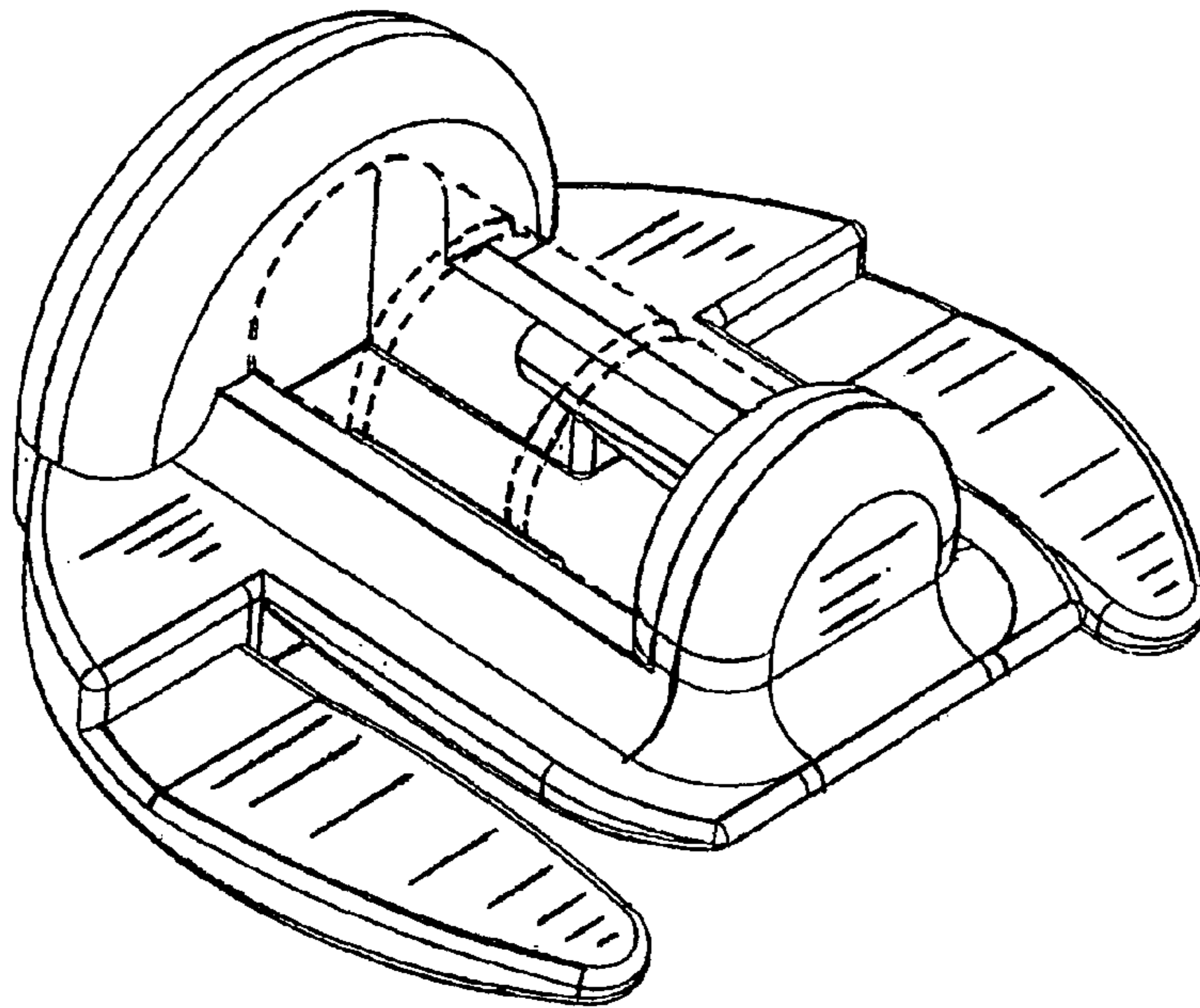


Figure 1

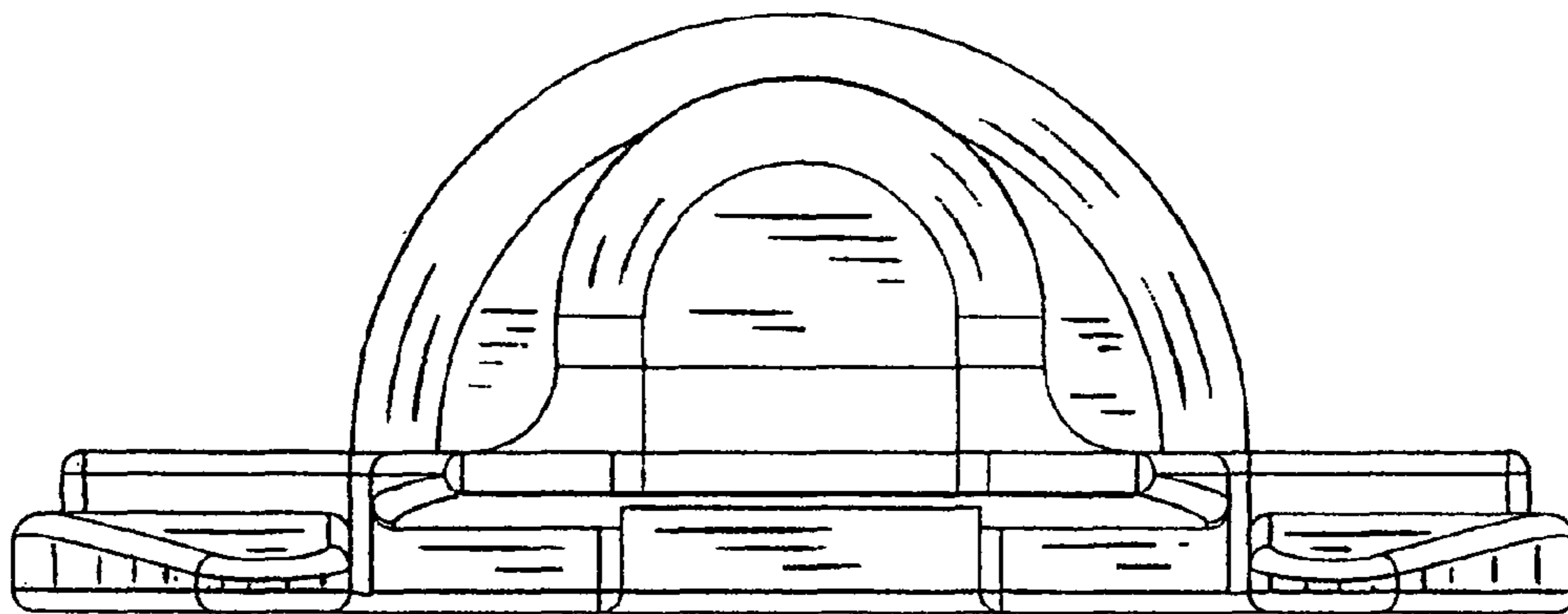


Figure 2

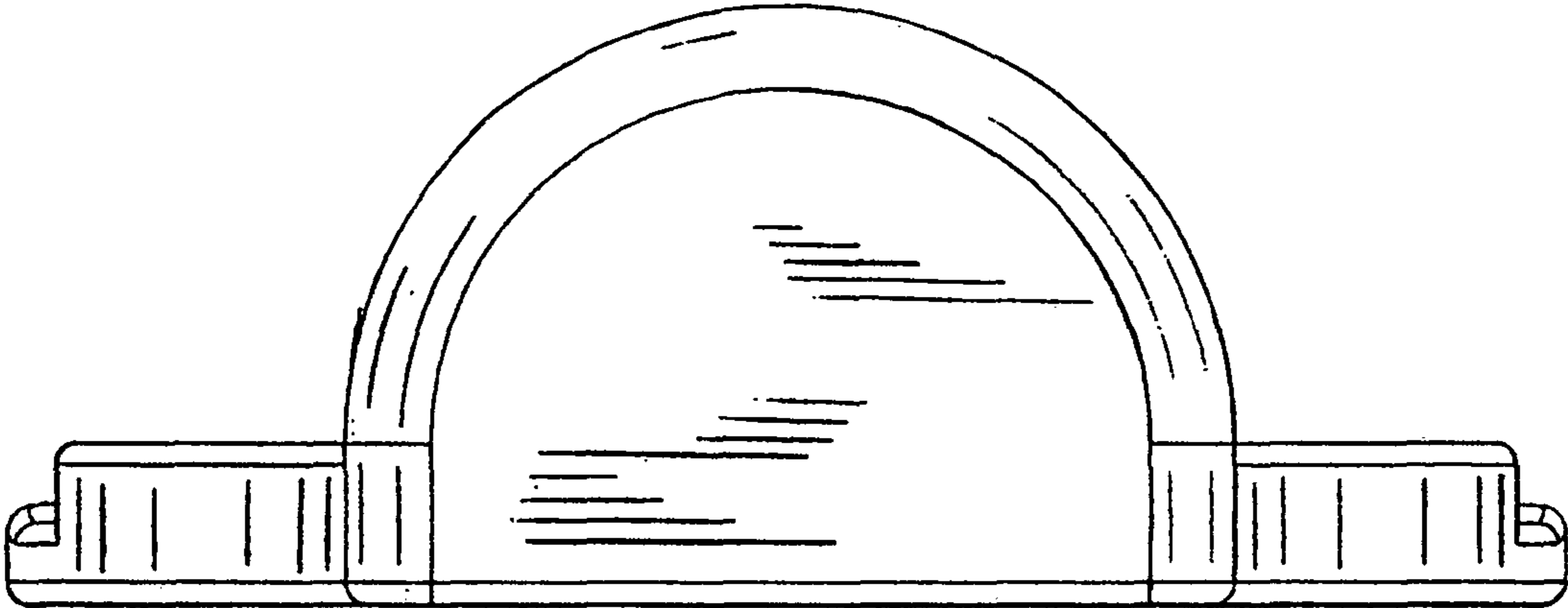


Figure 3

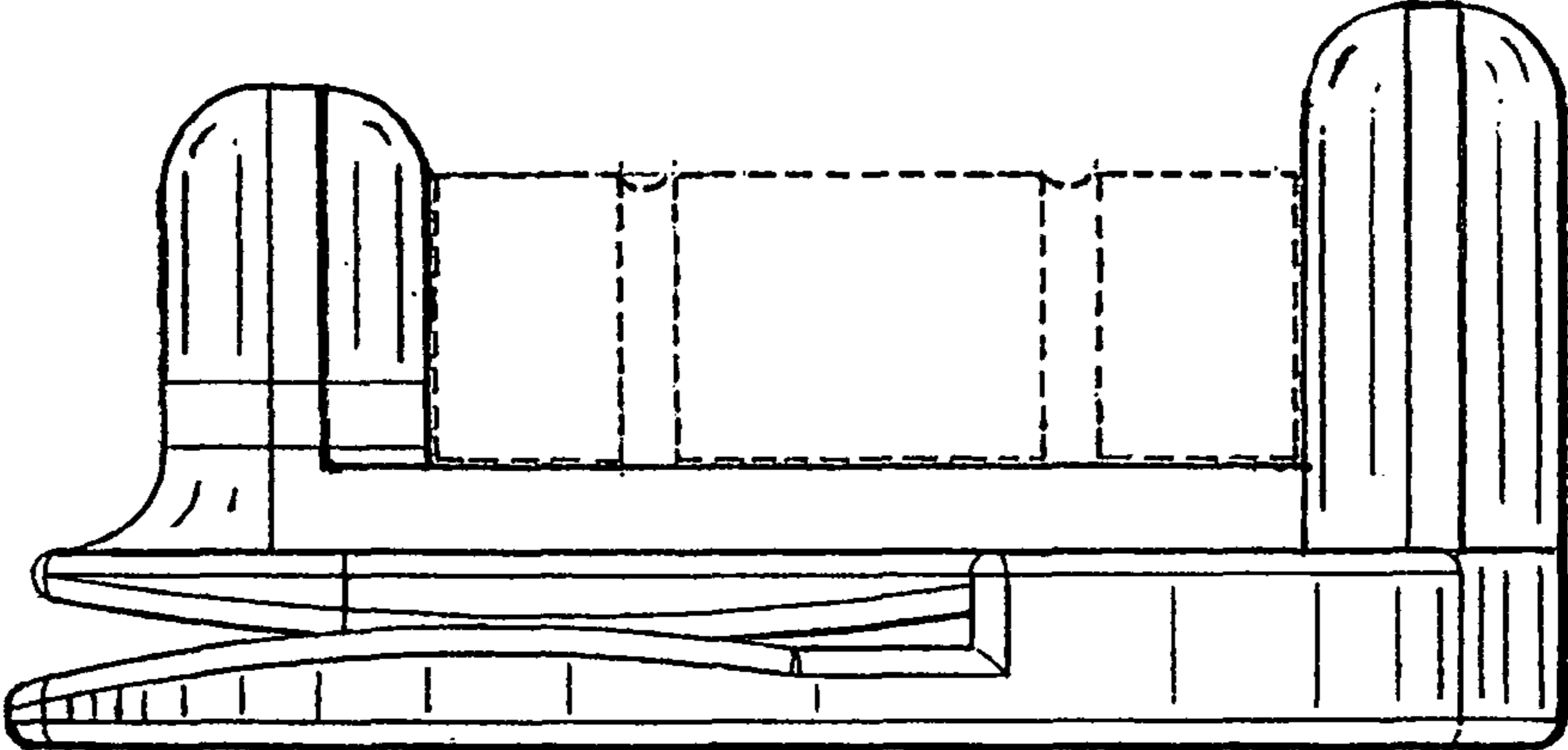


Figure 4

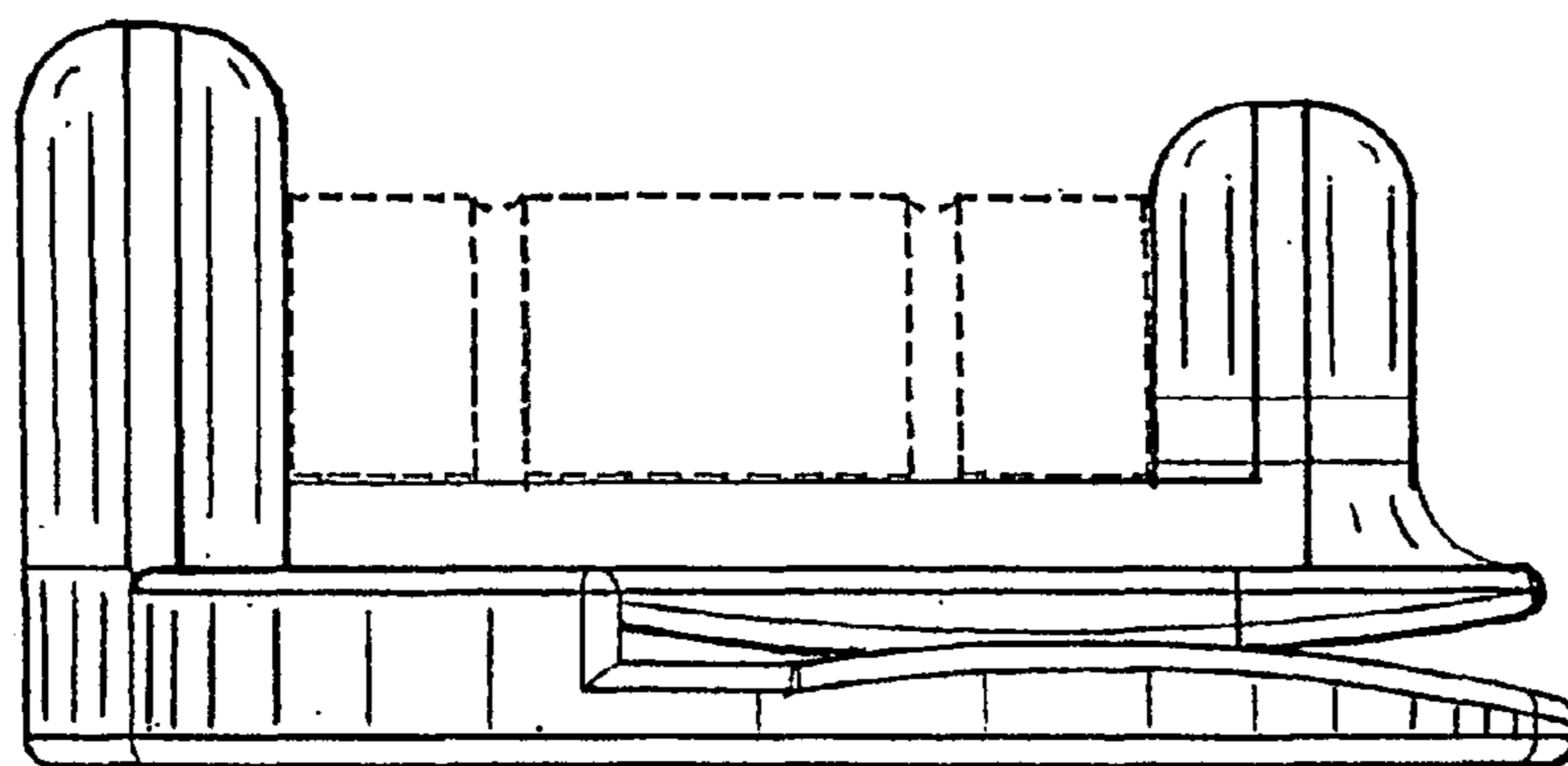


Figure 5

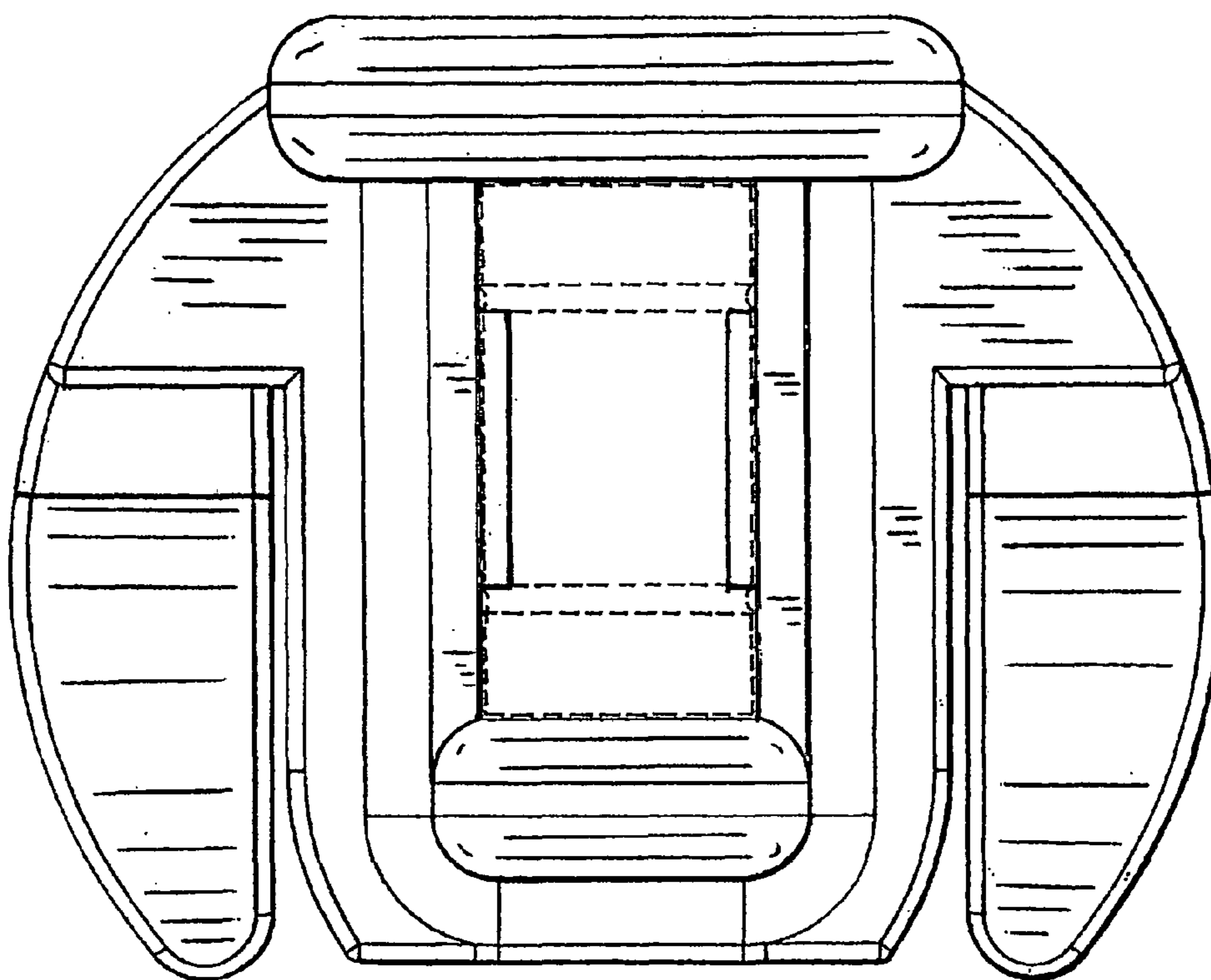


Figure 6

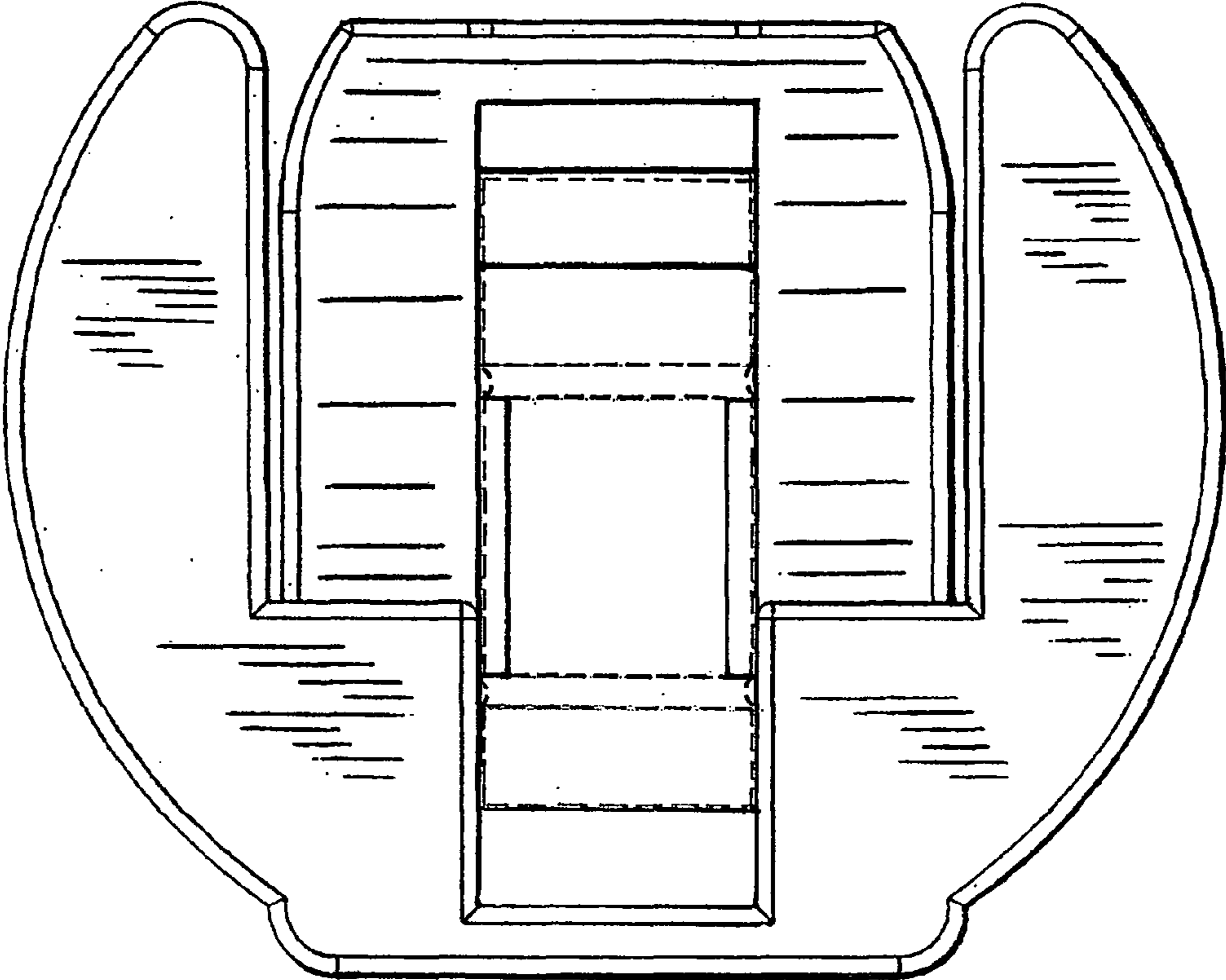


Figure 7