



US00D723397S

(12) **United States Design Patent**
Quint, Jr.

(10) **Patent No.:** **US D723,397 S**
(45) **Date of Patent:** **** Mar. 3, 2015**

(54) **ANGLE MARKING AND CUTTING GUIDE TOOL**

2006/0032066 A1* 2/2006 Nicholson 33/471
2012/0311880 A1 12/2012 Doggett

* cited by examiner

(71) Applicant: **Richard L. Quint, Jr.**, Walnut Creek, CA (US)

Primary Examiner — Antoine D Davis

(72) Inventor: **Richard L. Quint, Jr.**, Walnut Creek, CA (US)

(74) *Attorney, Agent, or Firm* — Beeson Skinner Beverly, LLP

(**) Term: **14 Years**

(57) **CLAIM**

The ornamental design for an angle marking and cutting guide tool, as shown and described.

(21) Appl. No.: **29/467,766**

DESCRIPTION

(22) Filed: **Sep. 23, 2013**

(51) **LOC (10) Cl.** **10-04**

(52) **U.S. Cl.**
USPC **D10/65**

(58) **Field of Classification Search**

CPC B43L 7/02; B43L 7/10; B43L 7/12;
G01B 3/503; G01B 3/566; G01B 3/04;
G01B 3/563; G01B 3/56; G01B 3/3004;
G01B 3/1084; G01B 3/1082; G01B 3/006;
G01B 2003/1092; G01C 1/10
USPC D10/65, 70; 33/1 N, 452-474, 495, 534,
33/538

See application file for complete search history.

FIG. 1 is a top perspective view of an angle marking and cutting tool showing my new design and showing the adjustable legs of the angle marking and cutting tool adjusted to a maximum spread position for marking and/or cutting a large angle;

FIG. 2 is a top plan view thereof shown in a reduced scale; FIG. 3 is a top plan view thereof shown in a reduced scale and showing the adjustable legs of the angle marking and cutting tool adjusted to an intermediate spread position for marking and/or cutting a smaller angle;

FIG. 4 is a bottom plan view thereof shown in a reduced scale and showing the adjustable legs of the angle marking and cutting tool adjusted to the maximum spread position shown in FIGS. 1 and 2;

FIG. 5 is a top perspective view of an angle marking and cutting tool showing an alternative embodiment of my new design and showing the adjustable legs of the angle marking and cutting tool adjusted to a maximum spread position for marking or cutting a large angle;

FIG. 6 is a top plan view thereof shown in a reduced scale; FIG. 7 is a top plan view thereof shown in a reduced scale and showing the adjustable legs of the angle marking and cutting tool adjusted to an intermediate spread position for marking and/or cutting a smaller angle; and,

FIG. 8 is a bottom plan view thereof shown in a reduced scale and showing the adjustable legs of the angle marking and cutting tool adjusted to the maximum spread position shown in FIGS. 5 and 6.

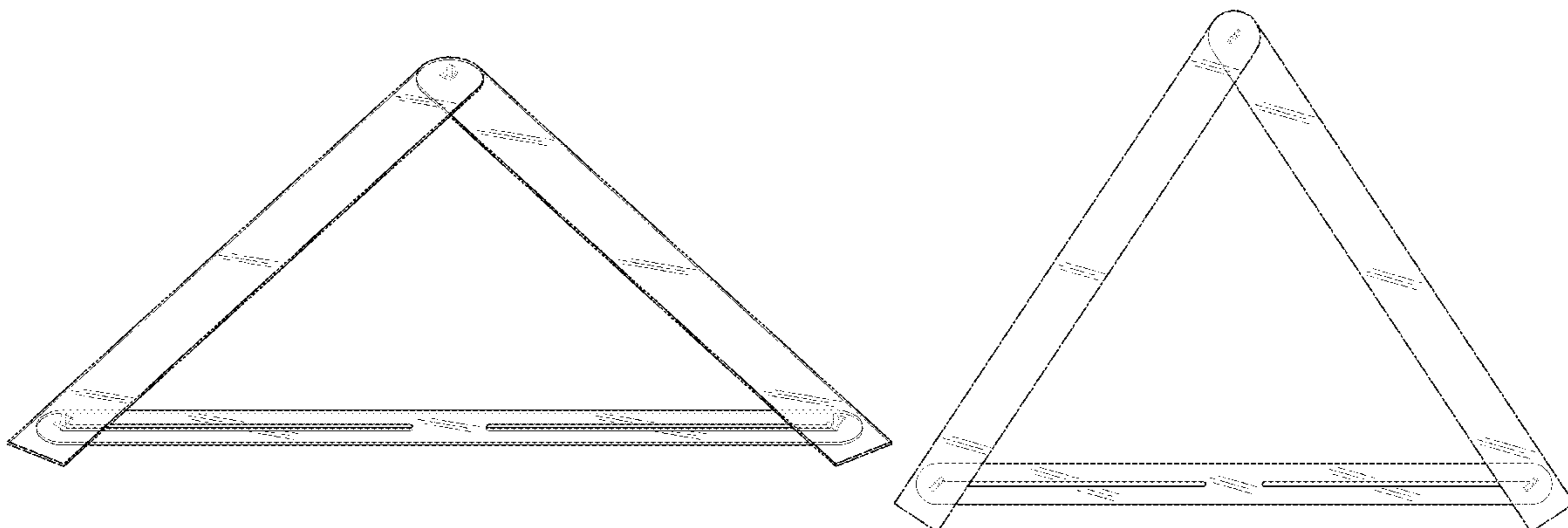
The broken lines shown in FIGS. 1-8 represent wing nut corner fasteners that form no part of the claimed design.

(56) **References Cited**

U.S. PATENT DOCUMENTS

672,213	A	4/1901	Holcomb	
978,525	A	12/1910	Werts	
1,157,514	A *	10/1915	Earl	33/460
2,495,558	A	1/1950	Walton	
4,916,822	A *	4/1990	Johnson	33/458
5,414,938	A *	5/1995	Meek	33/456
6,209,213	B1 *	4/2001	Moe	33/471
6,237,238	B1	5/2001	Shapiro	
D444,718	S *	7/2001	Ross et al.	D10/65
D657,271	S	4/2012	Quint, Jr.	
D657,272	S	4/2012	Quint, Jr.	
8,341,850	B2	1/2013	Merchant	
2006/0005408	A1	1/2006	Fernand	

1 Claim, 8 Drawing Sheets



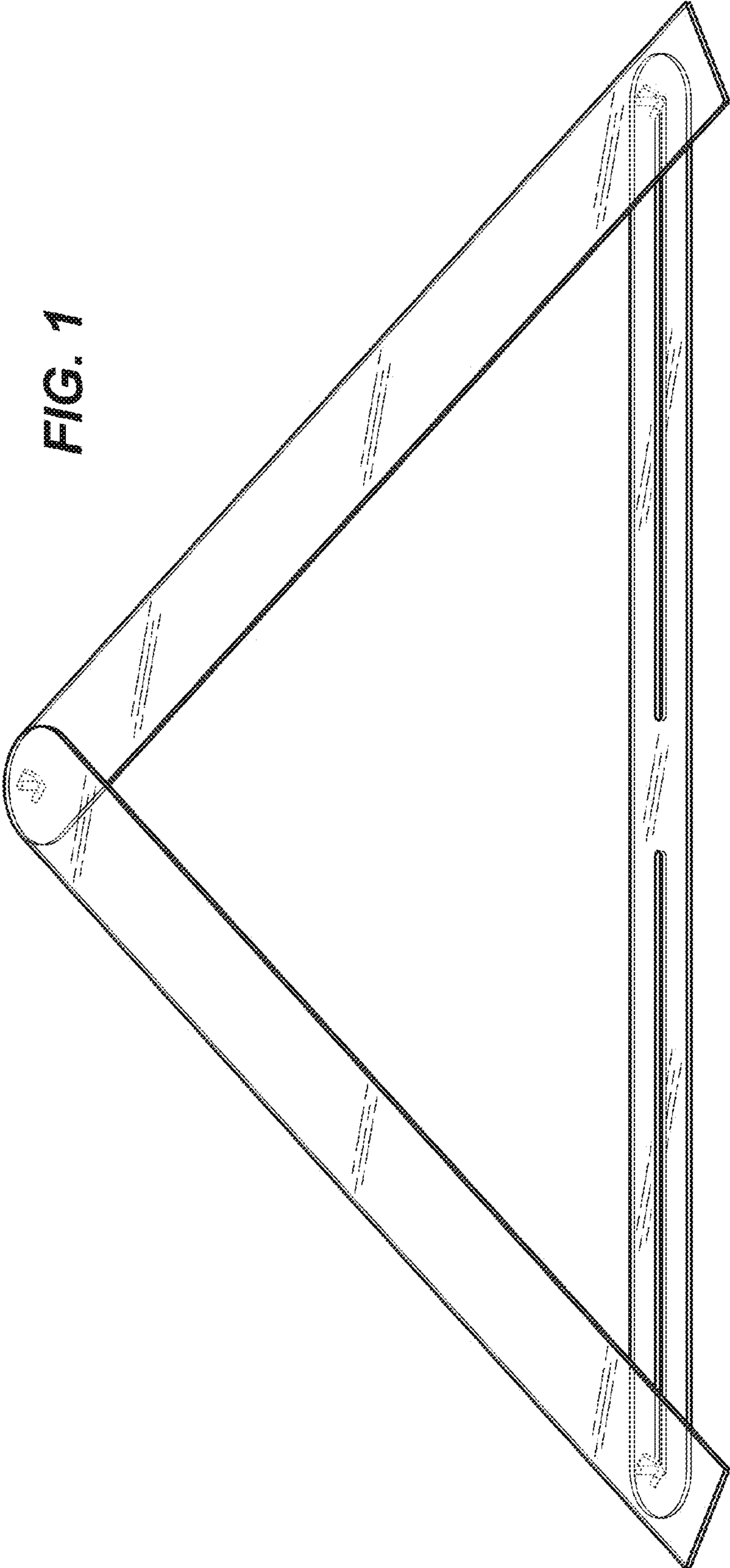


FIG. 1

FIG. 2

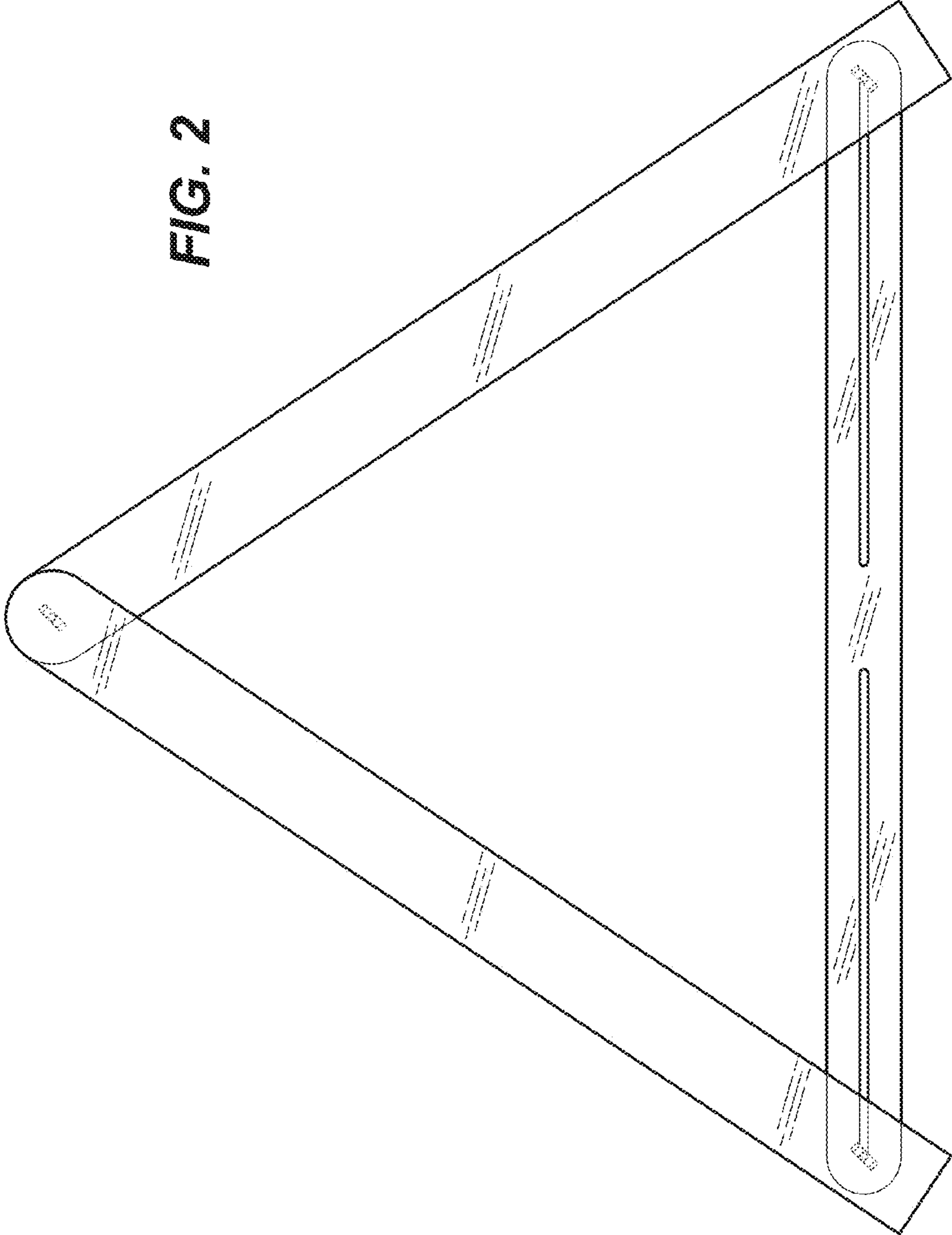
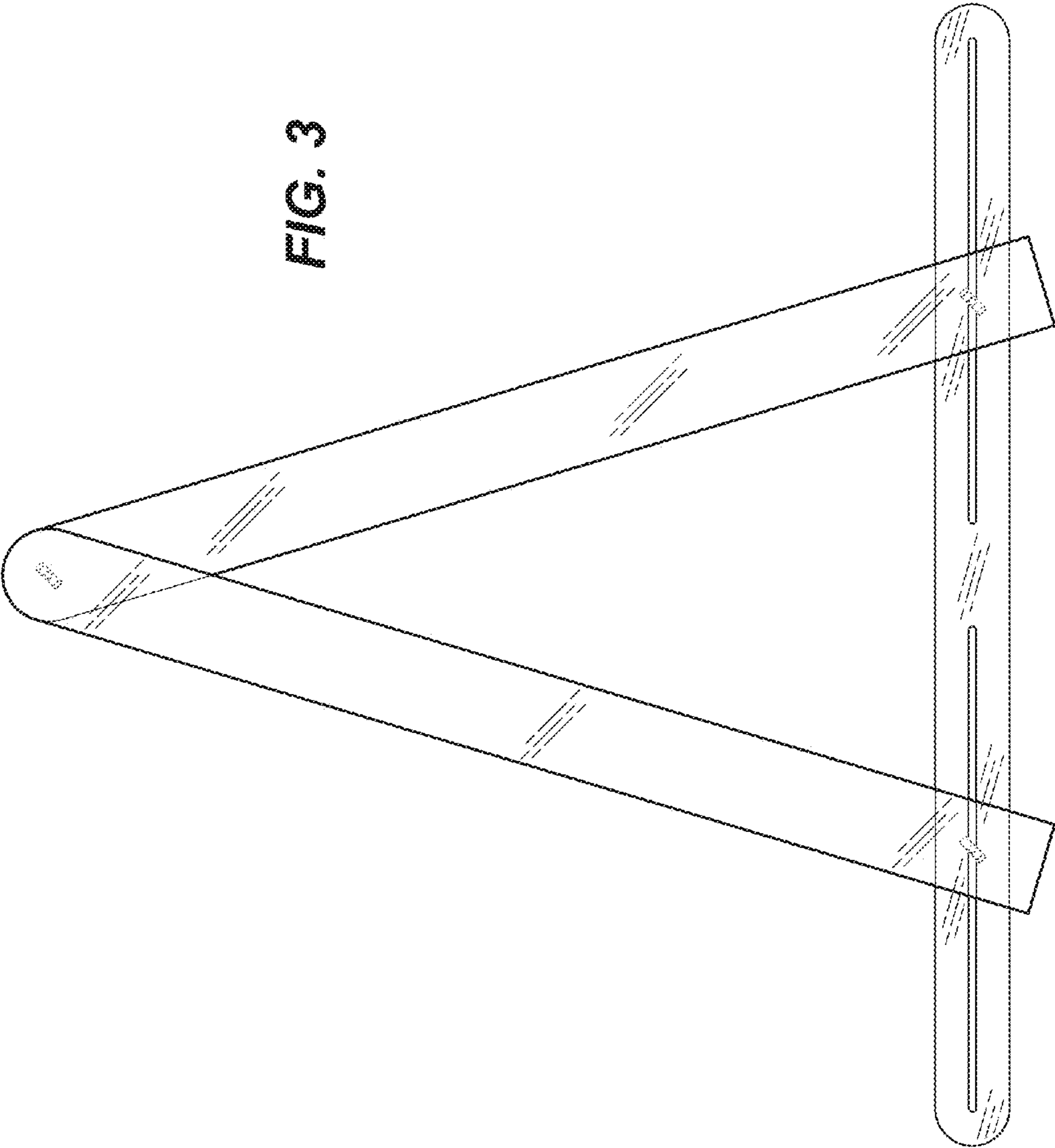


FIG. 3



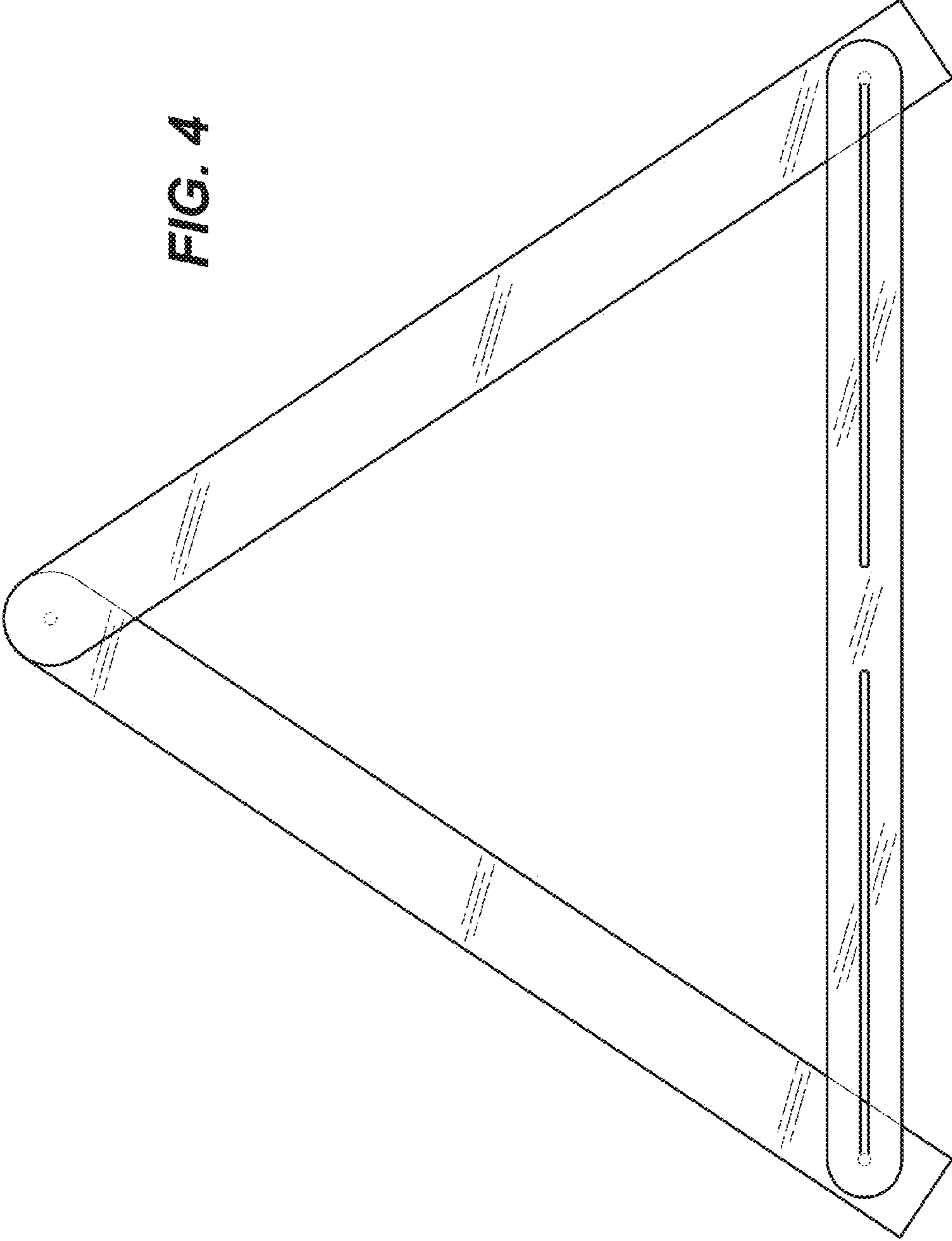
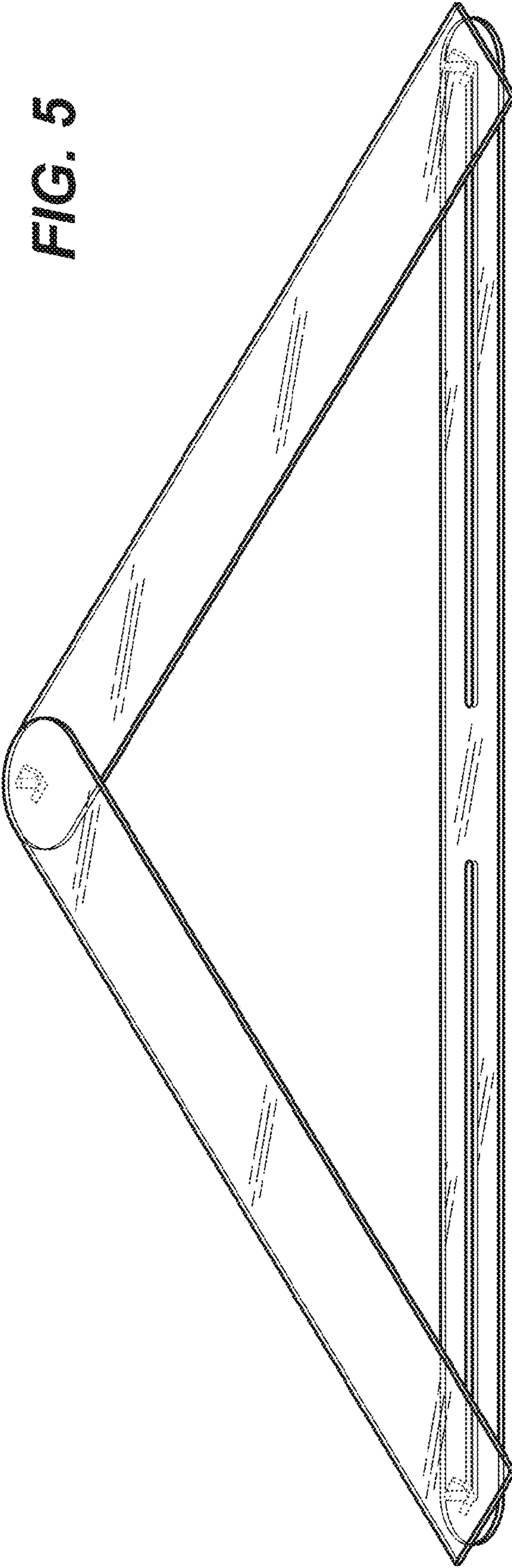


FIG. 4

FIG. 5



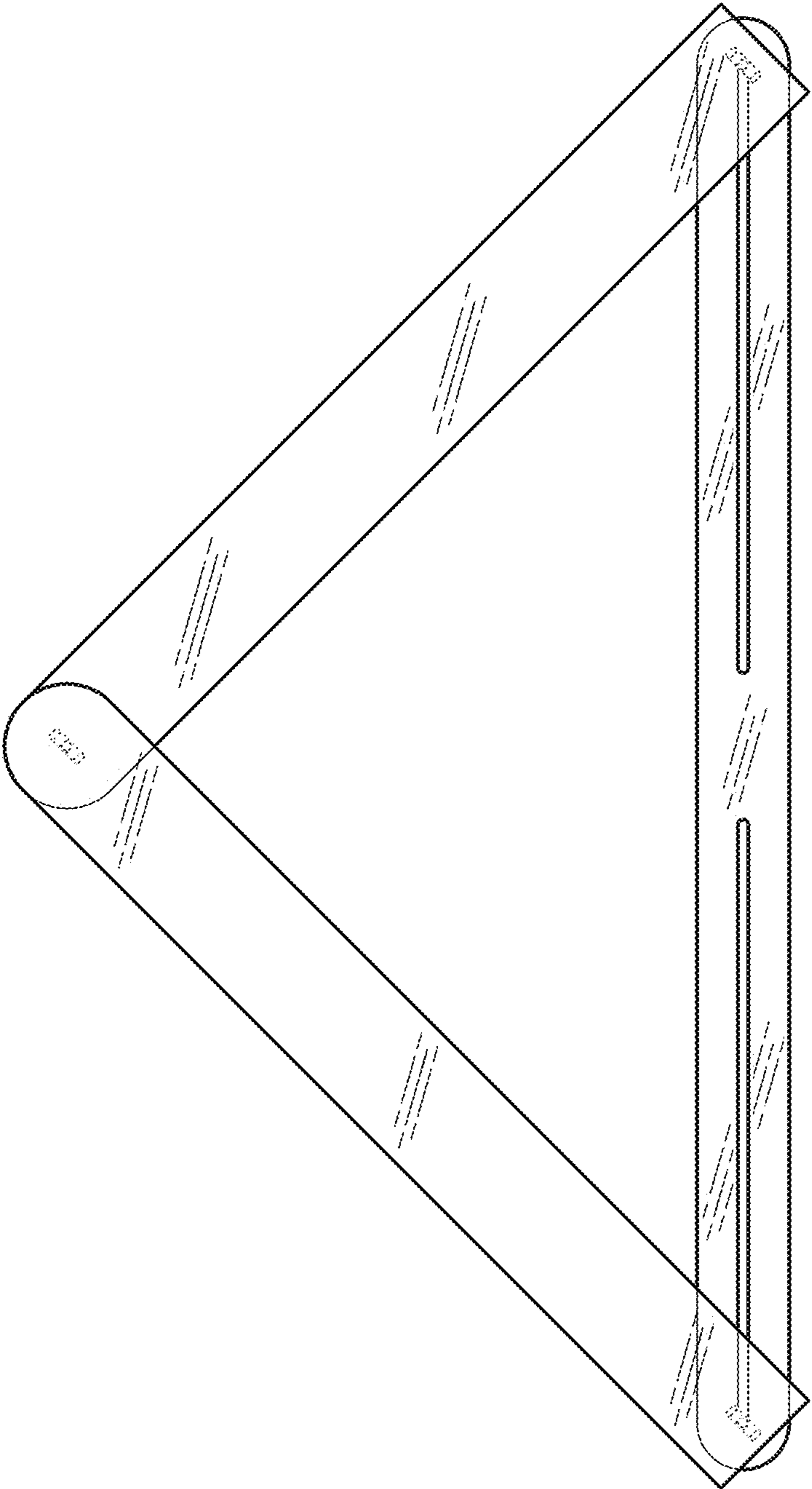


FIG. 6

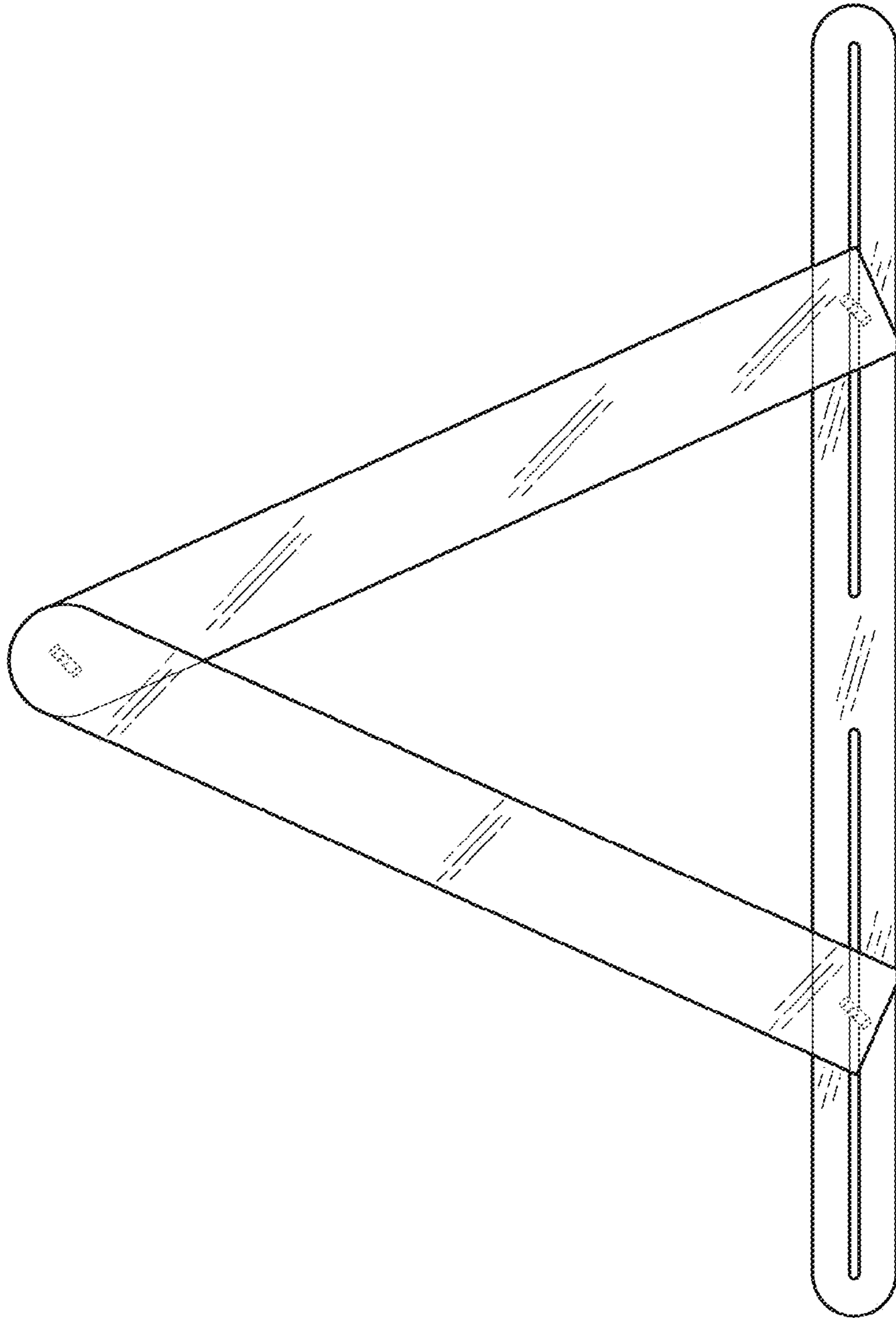


FIG. 7

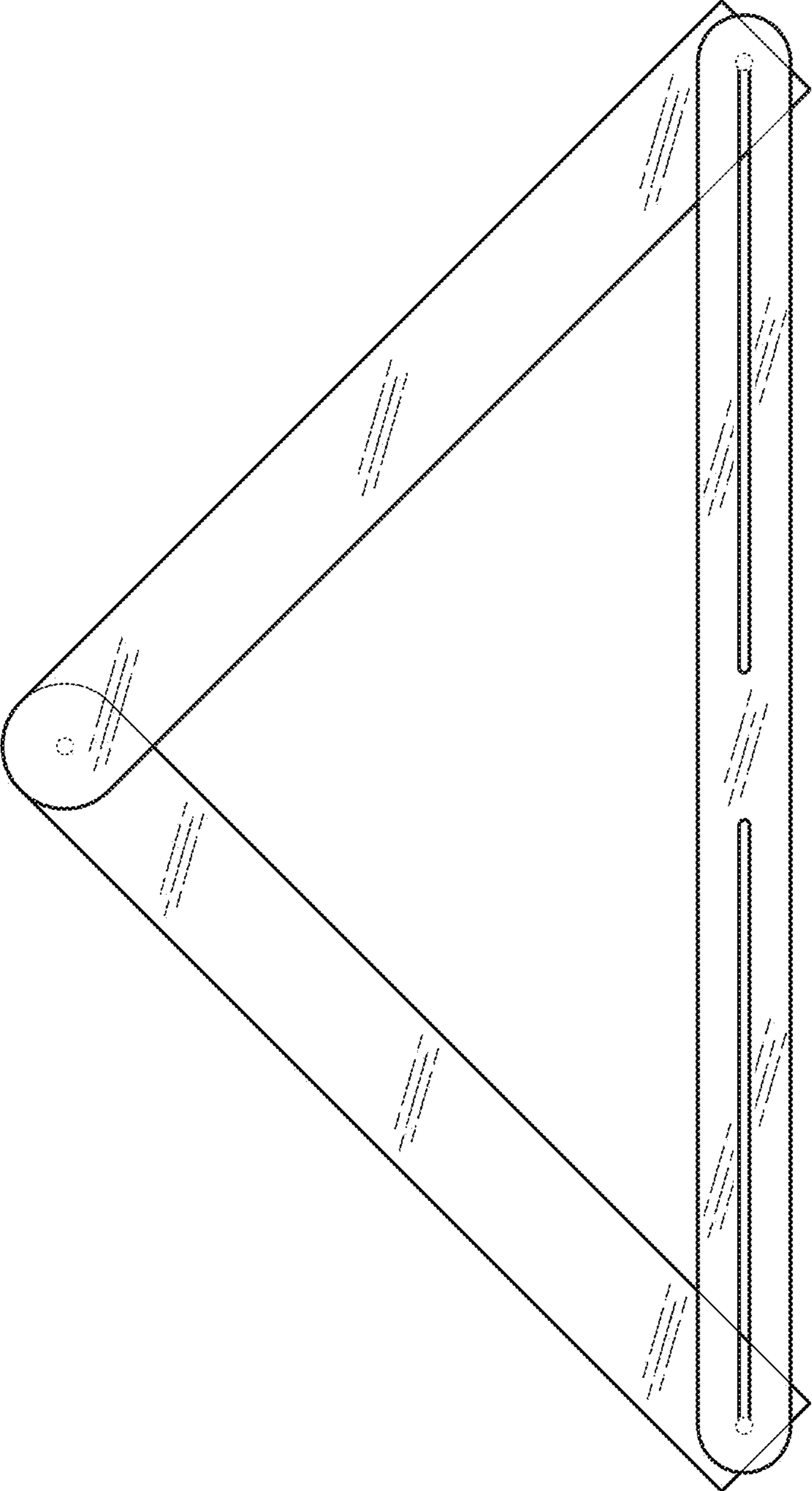


FIG. 8