



US00D723396S

(12) **United States Design Patent**
Chen

(10) **Patent No.:** **US D723,396 S**
(45) **Date of Patent:** **** Mar. 3, 2015**

(54) **EAR THERMOMETER**

(71) Applicant: **Actherm Inc**, Hsinchu (TW)
(72) Inventor: **Min-Ying Chen**, Hukou Township,
Hsinchu County (TW)
(73) Assignee: **Actherm Inc**, Hsinchu (TW)

(**) Term: **14 Years**

(21) Appl. No.: **29/477,521**

(22) Filed: **Dec. 23, 2013**

(30) **Foreign Application Priority Data**

Nov. 14, 2013 (TW) 102307329

(51) **LOC (10) Cl.** **10-04**

(52) **U.S. Cl.**
USPC **D10/57**

(58) **Field of Classification Search**

CPC G01J 5/061; G01J 5/0843; G01J 5/0846;
G01J 5/0859; G01J 5/089; G01J 5/0896;
G01J 5/048; G01J 5/16; G01J 5/522; G01J
5/0205; G01J 5/0887; G01J 5/0003; G01J
5/0275; G01J 5/084; G01J 5/0834; G01J 5/12;
G01J 5/14
USPC D10/57; 374/1-209, E1.011-E1.017;
600/474, 549

See application file for complete search history.

(56) **References Cited**

U.S. PATENT DOCUMENTS

D408,747 S * 4/1999 Lin D10/57
D535,203 S * 1/2007 Chen D10/57
D676,770 S * 2/2013 Lacotta et al. D10/57

* cited by examiner

Primary Examiner — Antoine D Davis

(74) *Attorney, Agent, or Firm* — Muncy, Geissler, Olds &
Lowe, P.C.

(57) **CLAIM**

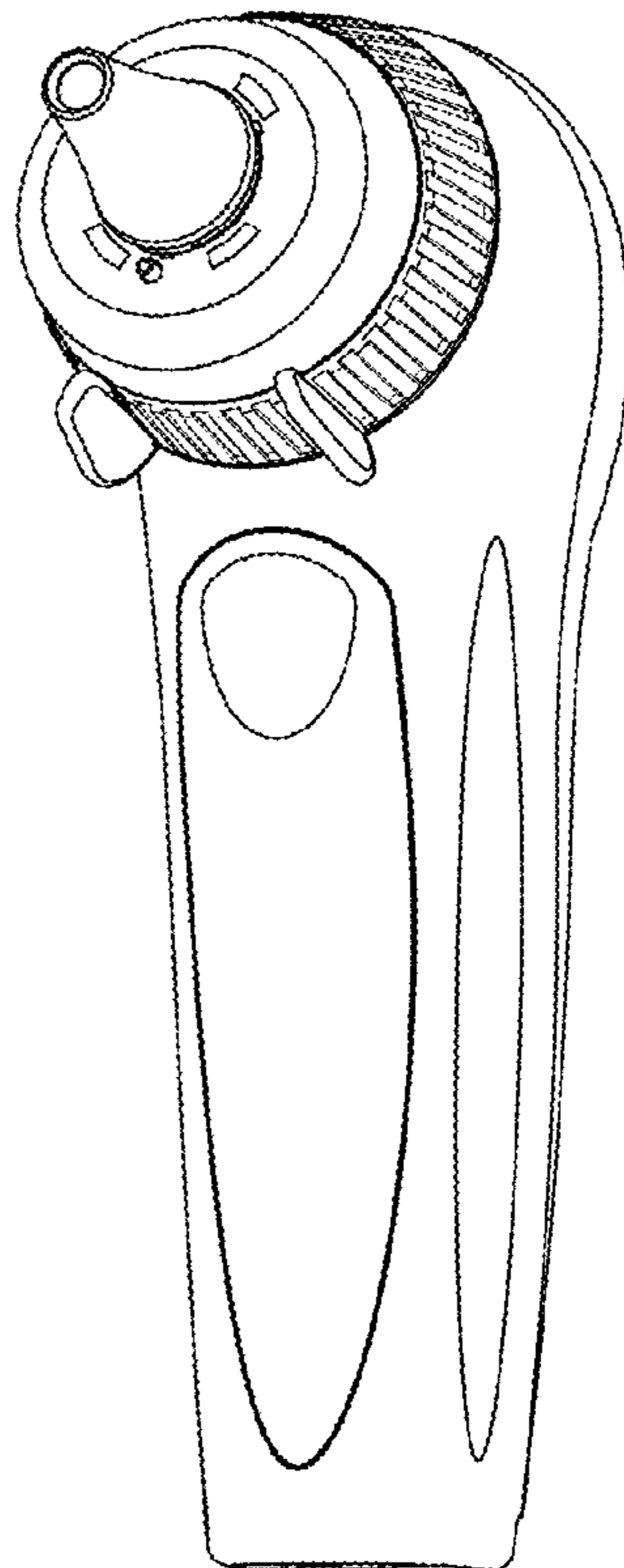
The ornamental design for an ear thermometer, as shown and
described.

DESCRIPTION

FIG. 1 is a perspective view of an ear thermometer showing
our new design;
FIG. 2 is a front plan view thereof;
FIG. 3 is a rear plan view thereof;
FIG. 4 is a first side view thereof;
FIG. 5 is a second side view thereof;
FIG. 6 is a top view thereof; and,
FIG. 7 is a bottom view thereof.

The broken-line portions form no part of the claimed design.

1 Claim, 7 Drawing Sheets



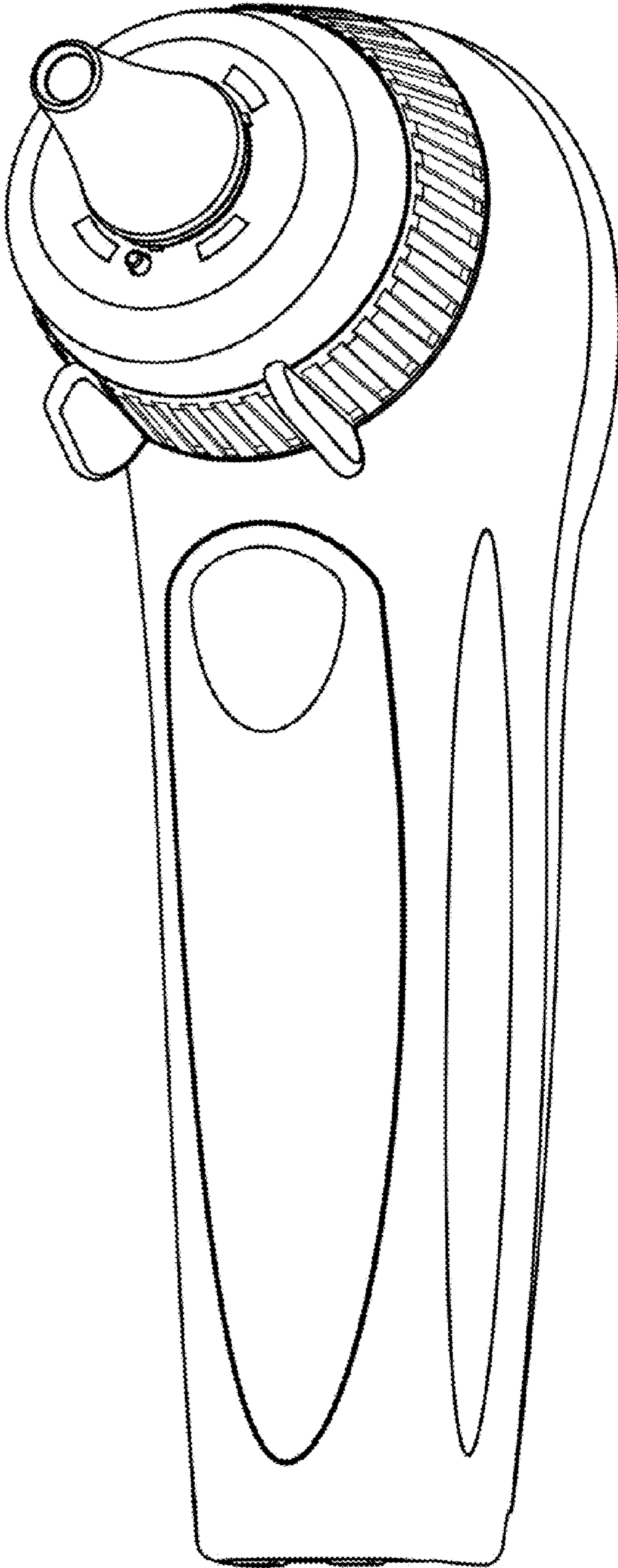


FIG. 1

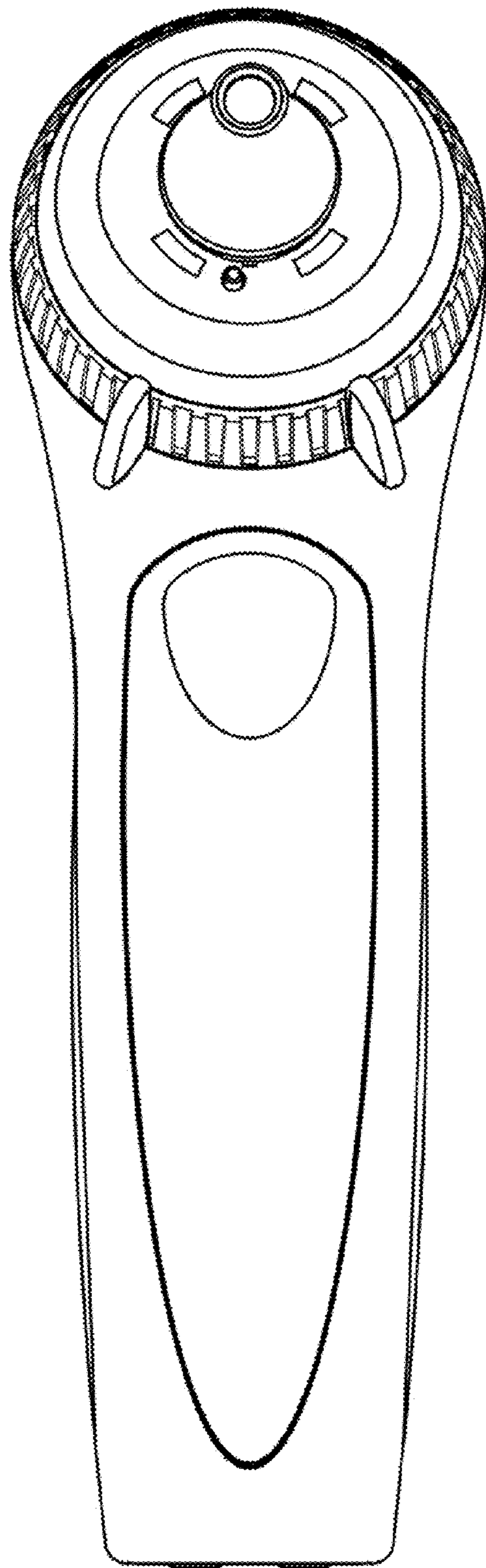


FIG. 2

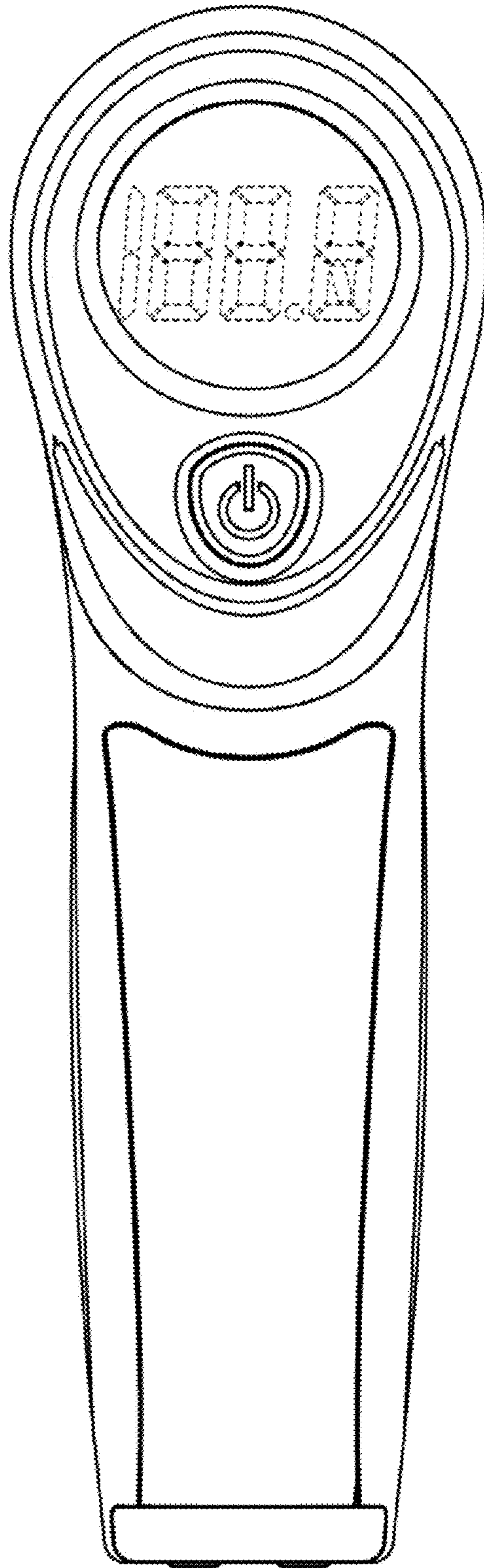


FIG. 3

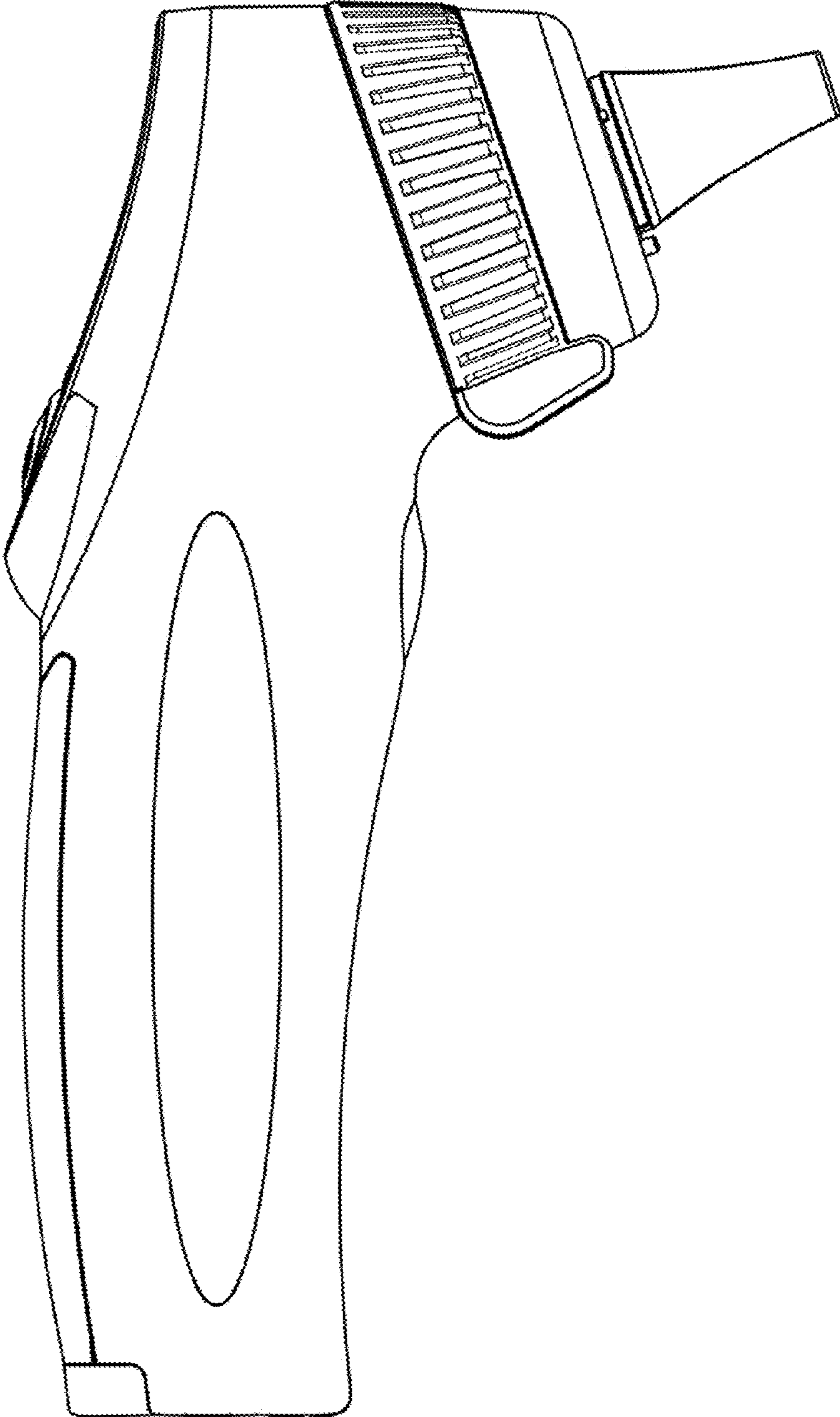


FIG. 4

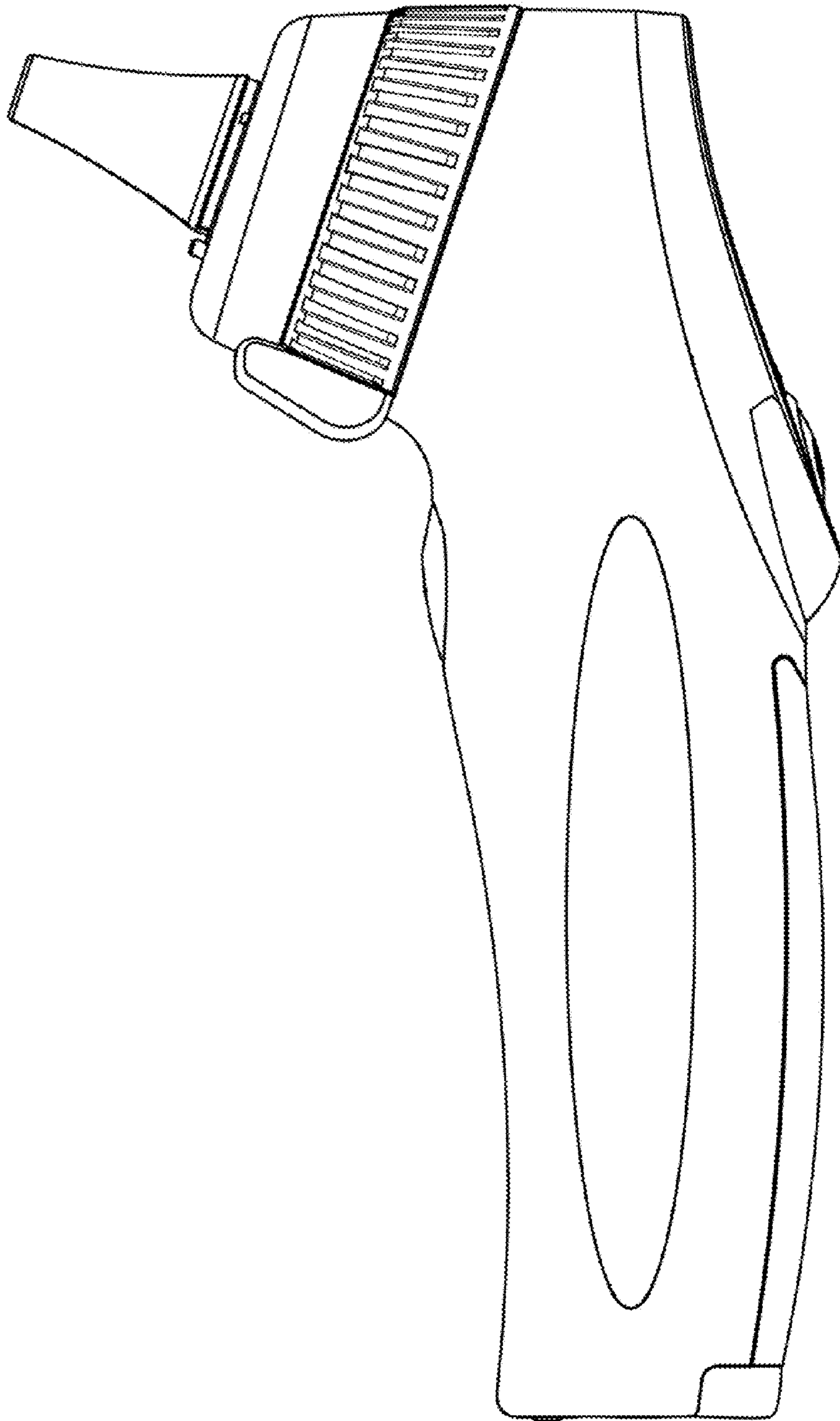


FIG. 5

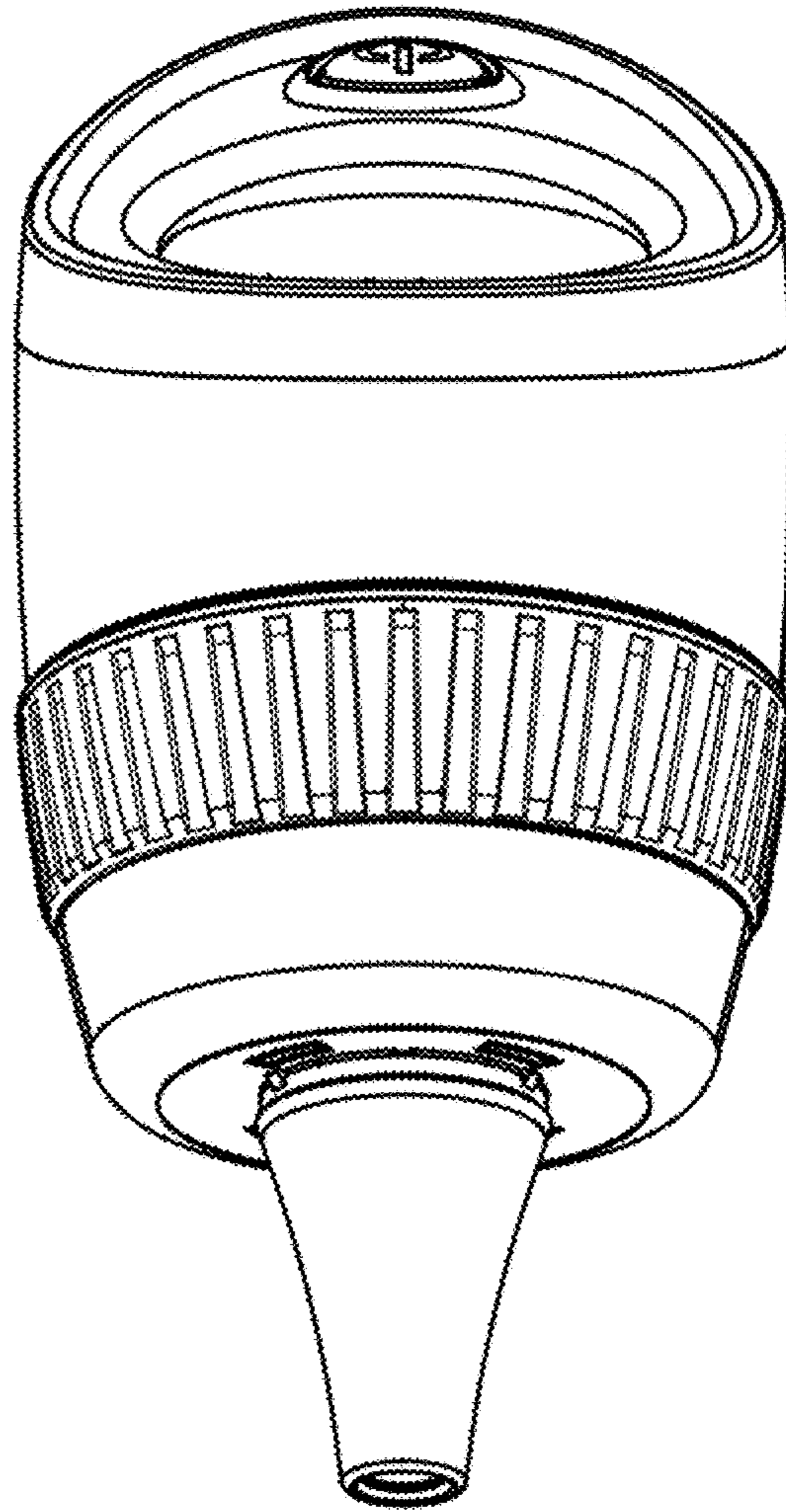


FIG. 6

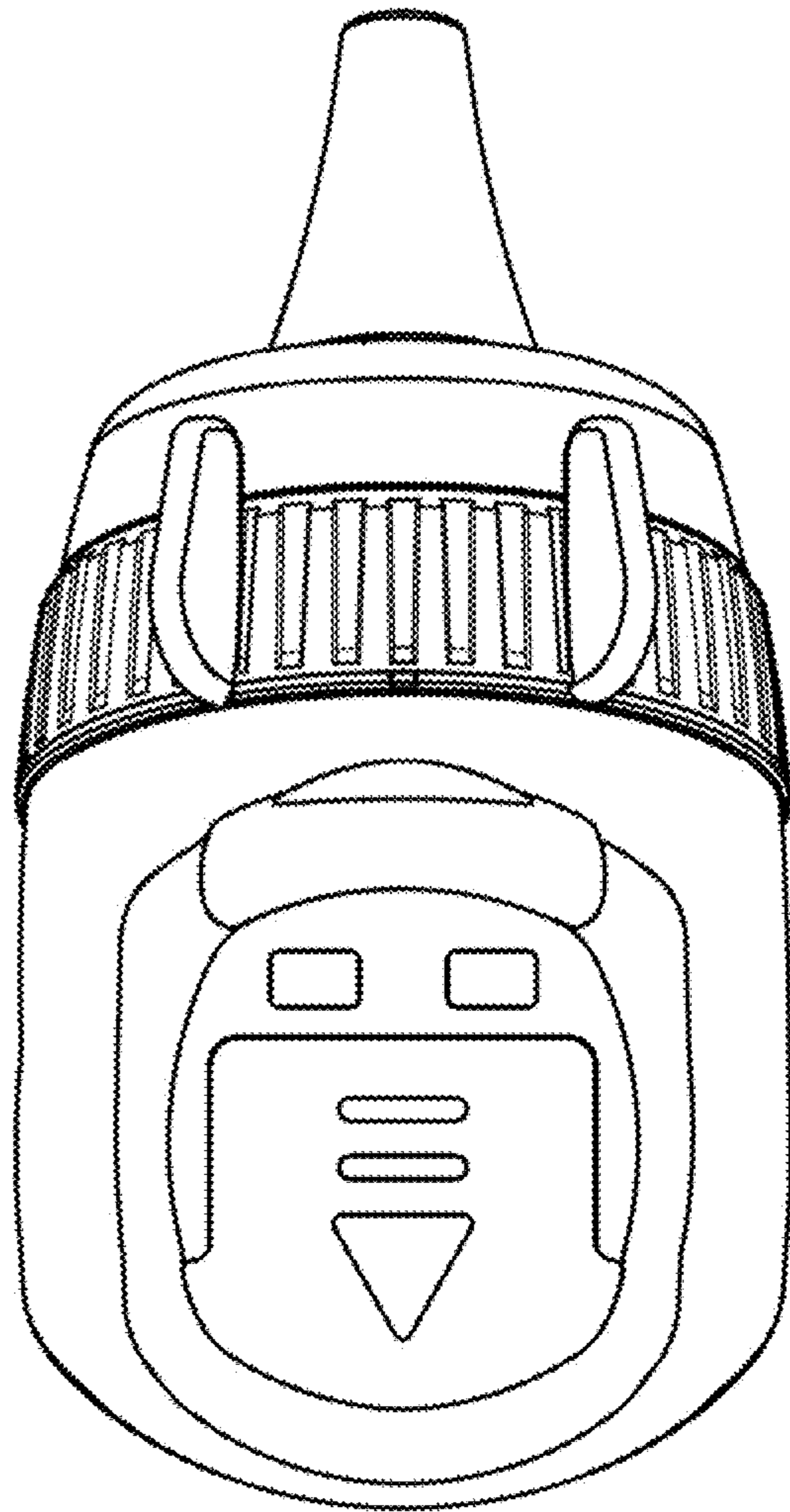


FIG. 7