



US00D723390S

(12) **United States Design Patent**  
**Eriksson et al.**

(10) **Patent No.:** **US D723,390 S**  
(45) **Date of Patent:** **\*\* Mar. 3, 2015**

(54) **PACKAGE**

(75) Inventors: **Ove Eriksson**, Karlstad (SE); **Anna Kjellberg**, Karlstad (SE)

(73) Assignee: **Stora Enso Oyj**, Helsinki (FI)

(\*\*) Term: **14 Years**

(21) Appl. No.: **29/422,583**

(22) Filed: **May 22, 2012**

(30) **Foreign Application Priority Data**

Nov. 23, 2011 (EM) ..... 001951393-0001

(51) **LOC (10) Cl.** ..... **09-01**

(52) **U.S. Cl.**  
USPC ..... **D9/732**

(58) **Field of Classification Search**  
USPC ..... D9/730, 732, 736, 737, 743, 756, 759;  
206/472, 531, 538, 539; 220/324, 500;  
221/2; D27/173

See application file for complete search history.

(56) **References Cited**

**U.S. PATENT DOCUMENTS**

1,900,606	A *	3/1933	Kipper	.....	206/539
D217,900	S *	6/1970	Gray	.....	D9/732
4,817,819	A *	4/1989	Kelly	.....	221/2
D359,900	S *	7/1995	Hawthorne	.....	D9/732
6,230,893	B1	5/2001	Karow		
6,412,636	B1	7/2002	Brand		
D478,810	S *	8/2003	Wilson	.....	D9/732
6,752,272	B2	6/2004	Jones		
6,874,636	B2 *	4/2005	Paliotta et al.	.....	206/531
D539,166	S *	3/2007	Spencer et al.	.....	D9/732
D546,198	S *	7/2007	Currie et al.	.....	D9/732
D558,603	S *	1/2008	Priebe et al.	.....	D9/732
D562,153	S *	2/2008	Ruble et al.	.....	D9/732
7,389,875	B2 *	6/2008	Sandberg et al.	.....	206/531

D591,593	S *	5/2009	Stannard et al.	.....	D9/756
7,658,287	B2	2/2010	Hession		
7,798,328	B2	9/2010	Hession		
7,845,496	B2	12/2010	Hession		

(Continued)

**OTHER PUBLICATIONS**

Dosepak Unit-Dose Medication Packaging. MeadWestvaco Corporation. <http://www.meadwestvaco.com/HealthcarePackagingSolutions/AdherencePackaging/MWV021898>. May 31, 2012.

(Continued)

*Primary Examiner* — Karen S Acker

*Assistant Examiner* — Bao-Yen Nguyen

(74) *Attorney, Agent, or Firm* — Greer, Burns & Crain, Ltd.

(57) **CLAIM**

The ornamental design for a package, as shown and described.

**DESCRIPTION**

FIG. 1 is a perspective view of the package with an insert fully extended;

FIG. 2 is a left side elevational view of the package of FIG. 1; FIG. 3 is a right side elevational view of the package of FIG. 1;

FIG. 4 is a front end elevational view of the package of FIG. 1;

FIG. 5 is a back end elevational view of the package of FIG. 1;

FIG. 6 is a top plan view of the package of FIG. 1;

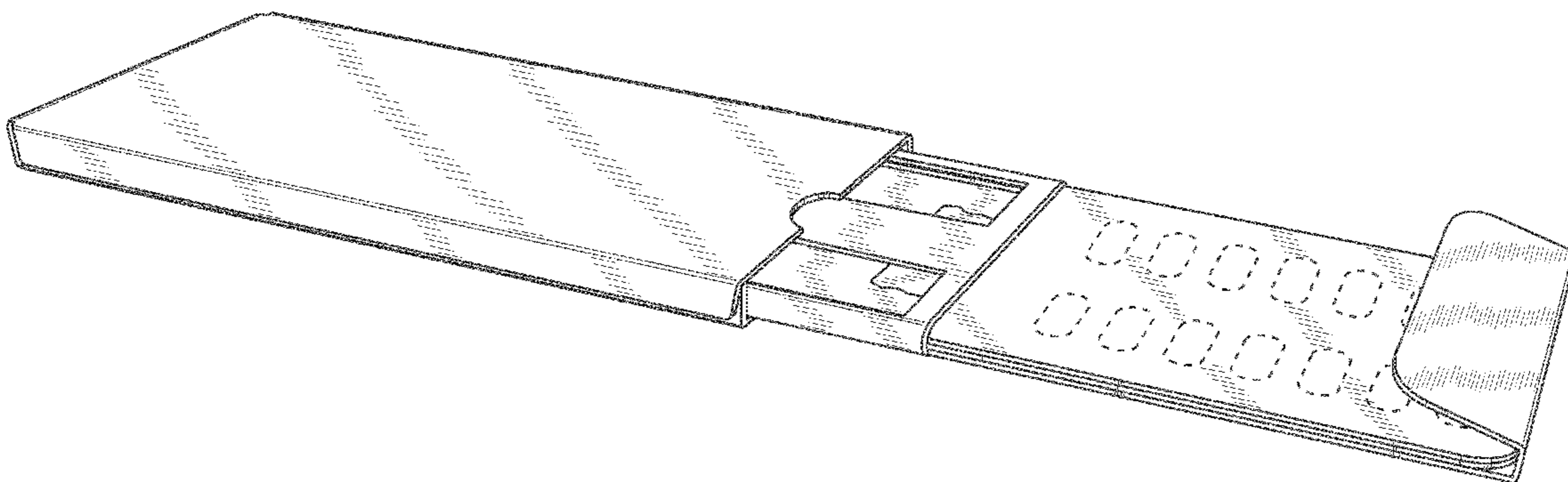
FIG. 7 is a bottom plan view of the package of FIG. 1;

FIG. 8 is a perspective view of the package of FIG. 1 showing the insert a partially extended position; and,

FIG. 9 is a perspective view of the package of FIG. 1 showing the insert in a closed position.

The broken lines within the drawings depict portions of the package that are not included in the claimed design.

**1 Claim, 5 Drawing Sheets**



(56)

**References Cited**

**OTHER PUBLICATIONS**

U.S. PATENT DOCUMENTS

8,066,121	B2 *	11/2011	Sack et al. ....	206/531
8,100,262	B2 *	1/2012	Jones .....	206/472
2004/0026293	A1 *	2/2004	Hughes .....	206/538
2004/0188312	A1 *	9/2004	Stepowany .....	206/531
2009/0065506	A1 *	3/2009	Currie et al. ....	220/324
2009/0242451	A1 *	10/2009	Kessler .....	206/531
2010/0243507	A1 *	9/2010	Gelardi et al. ....	206/531
2012/0061396	A1 *	3/2012	Ortenzi et al. ....	220/500

Dosepak Description. Environmental Protection Agency. Retrieved

May 31, 2012. <http://www.epa.gov/opprd001/crp/>

meadwestvacodosepak.pdf.

\* cited by examiner

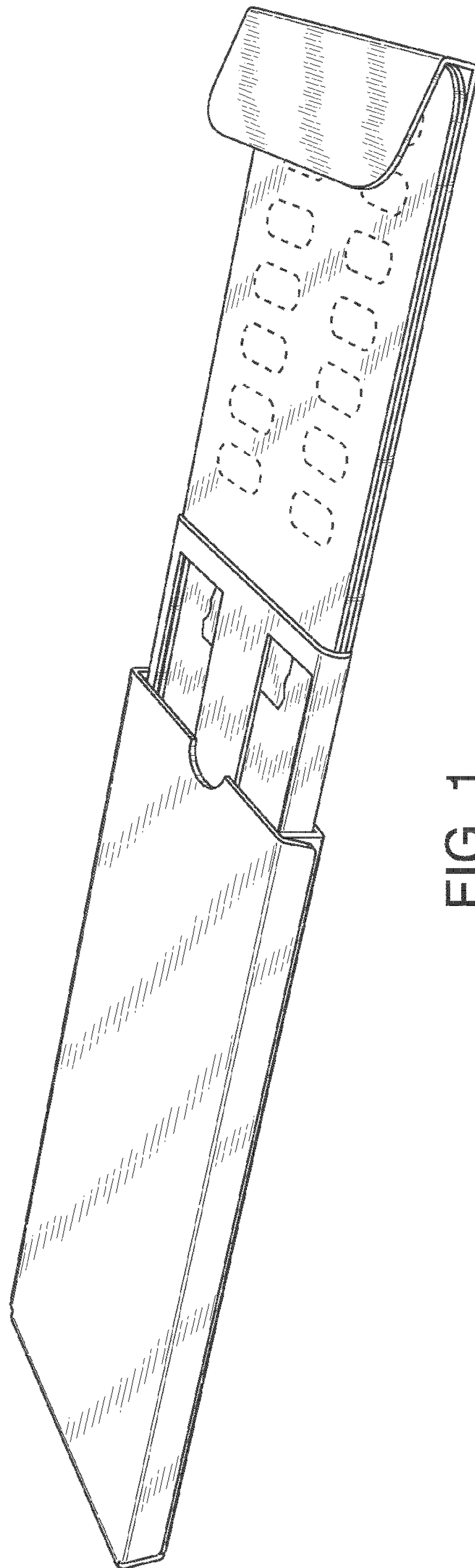


FIG. 1

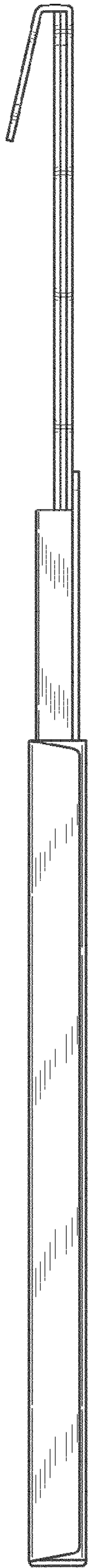


FIG. 2



FIG. 3

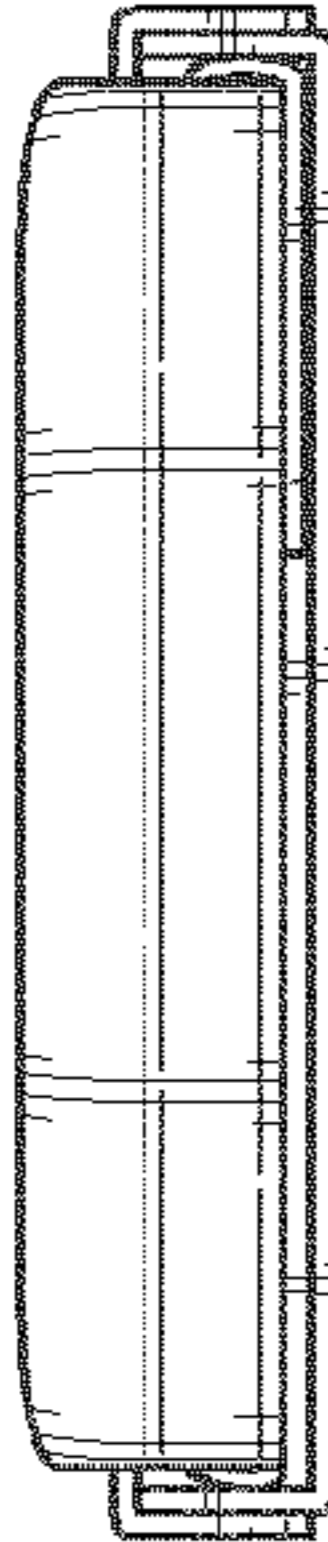


FIG. 4



FIG. 5

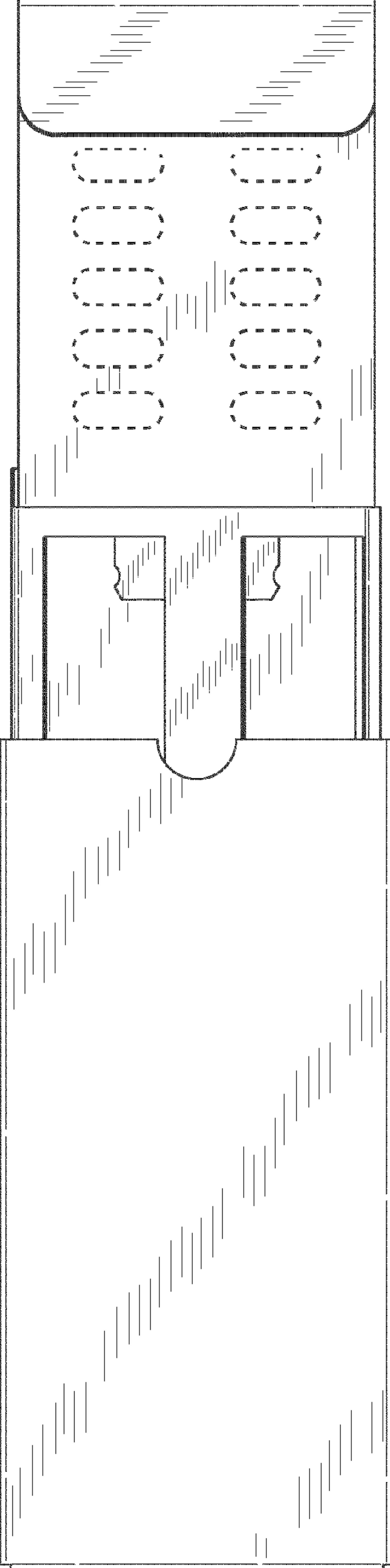


FIG. 6

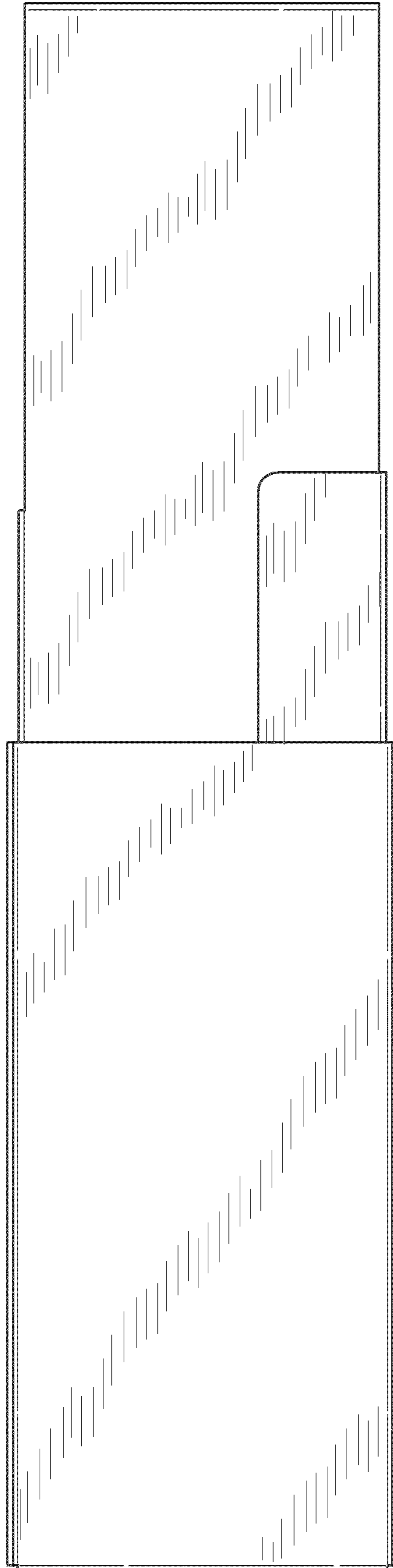


FIG. 7

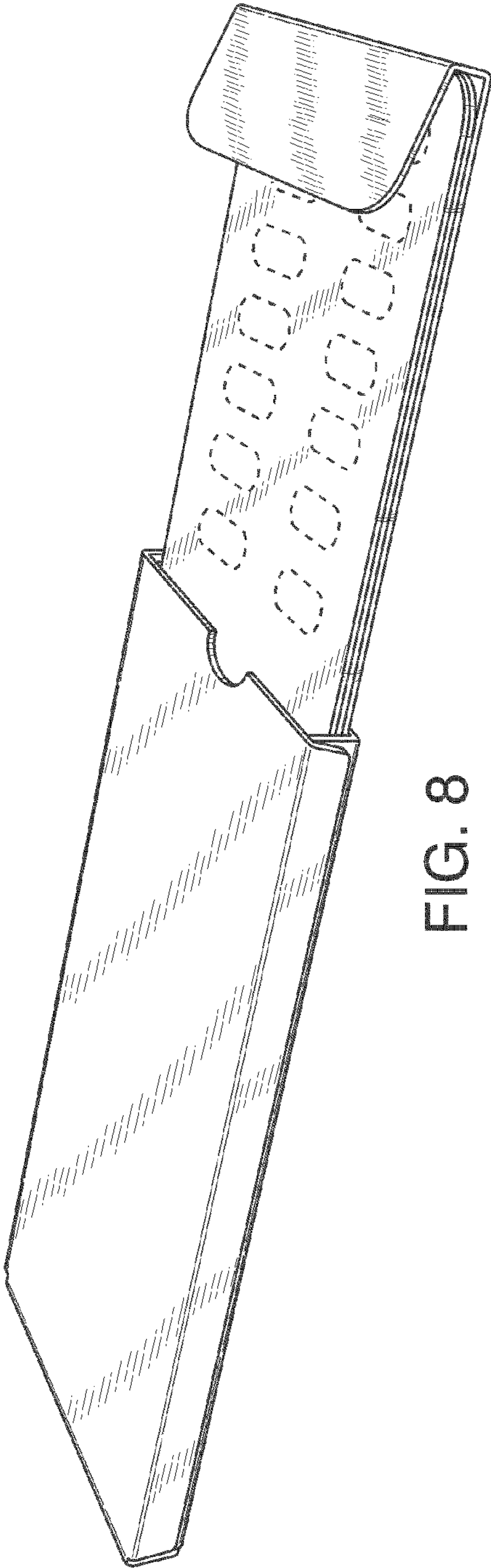


FIG. 8

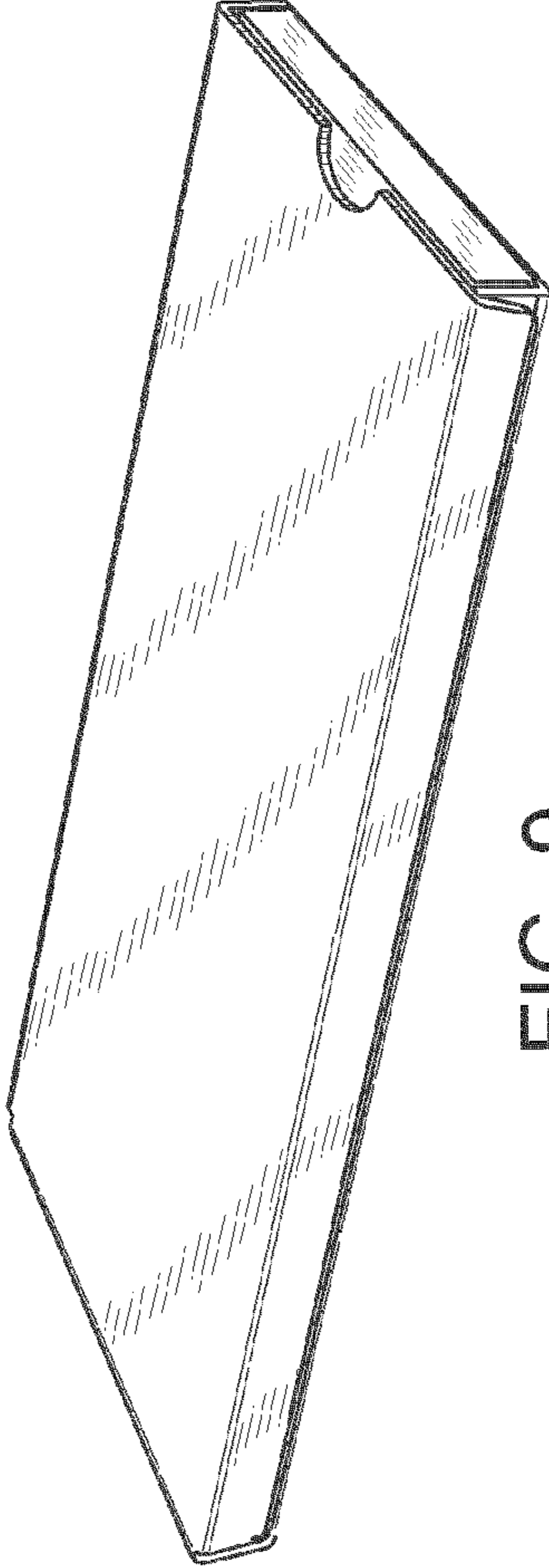


FIG. 9