



US00D723387S

(12) **United States Design Patent**
Fath et al.

(10) **Patent No.:** **US D723,387 S**
(45) **Date of Patent:** **** Mar. 3, 2015**

- (54) **PACKAGING SLEEVE**
- (71) Applicant: **Altria Client Services, Inc.**, Richmond, VA (US)
- (72) Inventors: **Scott A Fath**, Richmond, VA (US);
Ryan J Sousa, Mechanicsville, VA (US);
Steven R Rinehart, Chesterfield, VA (US)
- (73) Assignee: **Altria Client Services, Inc.**, Richmond, VA (US)
- (**) Term: **14 Years**
- (21) Appl. No.: **29/481,522**
- (22) Filed: **Feb. 6, 2014**

D159,872 S	8/1950	Skold	
2,610,781 A *	9/1952	Metzger	229/107
3,334,732 A	8/1967	Haffey et al.	
3,469,680 A	9/1969	Walz	
3,765,529 A	10/1973	Mueller	
D295,958 S *	5/1988	Pugh	D9/711
4,844,373 A	7/1989	Fike, Sr.	
D302,948 S	8/1989	Blum et al.	
5,022,577 A *	6/1991	Fike	225/47
D319,179 S	8/1991	Holder	
D336,071 S *	6/1993	Ottosen	D13/139.7
5,344,008 A	9/1994	DeBlasio et al.	
D360,528 S *	7/1995	Caligiuri	D3/303
5,860,587 A *	1/1999	Young	229/107
D455,958 S	4/2002	Burrus	
D509,147 S	9/2005	Selby	
D591,902 S	5/2009	Bray et al.	
D603,090 S	10/2009	Bray et al.	
D607,319 S	1/2010	Collins	

(Continued)

Related U.S. Application Data

- (62) Division of application No. 29/450,161, filed on Mar. 15, 2013, now Pat. No. Des. 706,642.
- (51) **LOC (10) Cl.** **09-05**
- (52) **U.S. Cl.**
USPC **D9/711**
- (58) **Field of Classification Search**
USPC D9/414, 418, 424, 432, 430, 433, 435,
D9/436, 456, 702, 711, 713, 715;
D27/186, 189; 206/216, 256, 389, 395,
206/396, 398, 461-471, 581, 736, 738, 756,
206/769, 779; 229/87.01, 87.05, 100, 101,
229/103.2, 106, 107, 108, 108.1, 125.01,
229/182.1
See application file for complete search history.

Primary Examiner — Derrick Holland

Assistant Examiner — Lauren Calve

(74) *Attorney, Agent, or Firm* — Buchanan Ingersoll & Rooney PC

(57) **CLAIM**

The ornamental design for a packaging sleeve, as shown and described.

DESCRIPTION

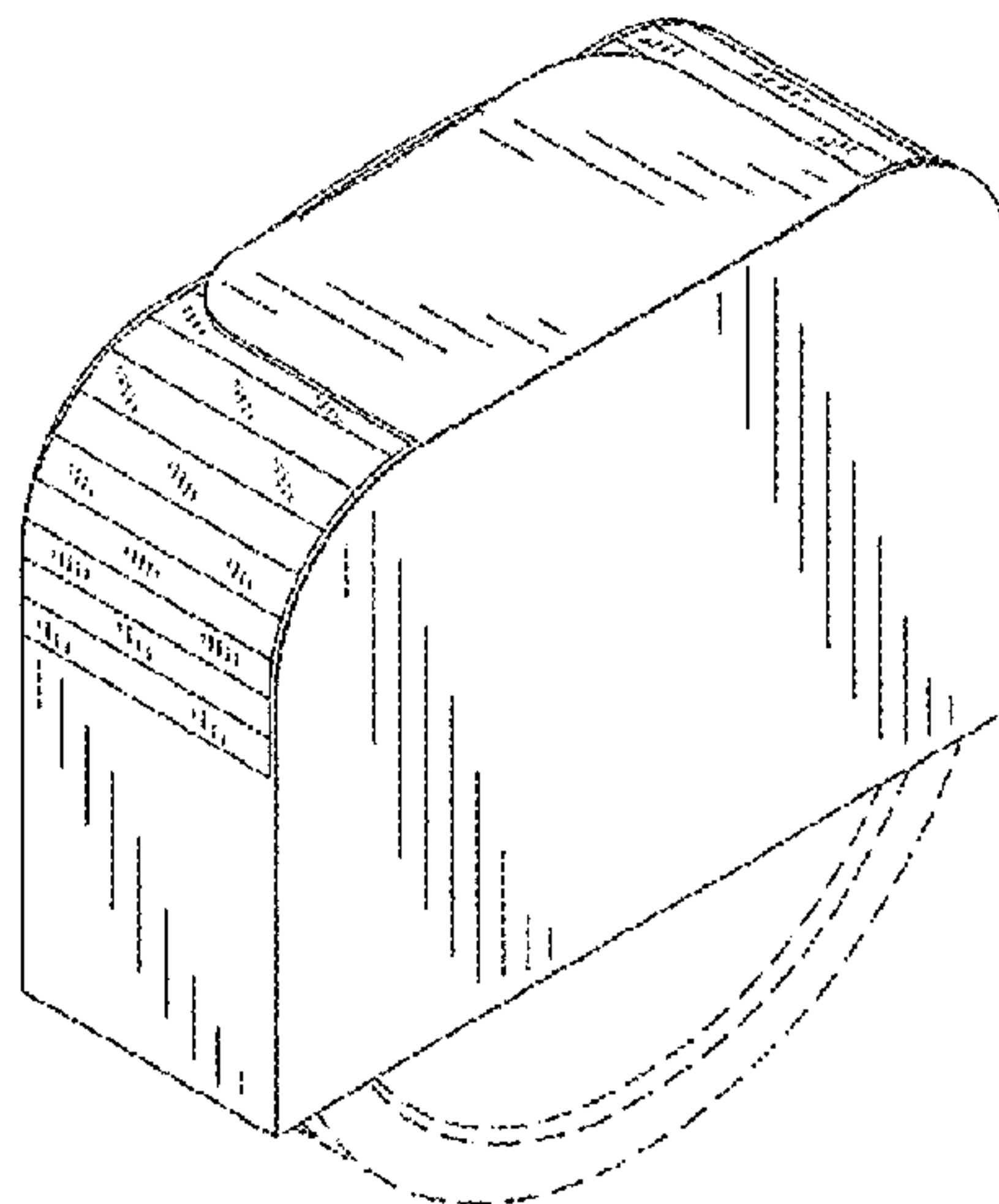
FIG. 1 is a front, top perspective view of a packaging sleeve according to our new design.
 FIG. 2 is a front, bottom perspective view thereof.
 FIG. 3 is a front elevational view thereof.
 FIG. 4 is a rear elevational view thereof.
 FIG. 5 is a left side elevational view thereof.
 FIG. 6 is a right side elevational view thereof.
 FIG. 7 is a top plan view thereof; and,
 FIG. 8 is a bottom plan view thereof.
 The broken lines shown represent unclaimed subject matter and form no part of the claimed design.

(56) **References Cited**

U.S. PATENT DOCUMENTS

1,844,066 A *	2/1932	Hughes	426/112
2,064,590 A *	12/1936	Cunningham	229/108
2,129,447 A	9/1938	Schuler	
2,217,397 A	10/1940	Williams	

1 Claim, 4 Drawing Sheets



(56)

References Cited

U.S. PATENT DOCUMENTS

D621,282 S 8/2010 Yagi
D664,043 S 7/2012 Hofmann et al.

8,225,985 B2 * 7/2012 Oliveira 229/107
D694,623 S 12/2013 Bellamah
D706,642 S * 6/2014 Fath et al. D9/715

* cited by examiner

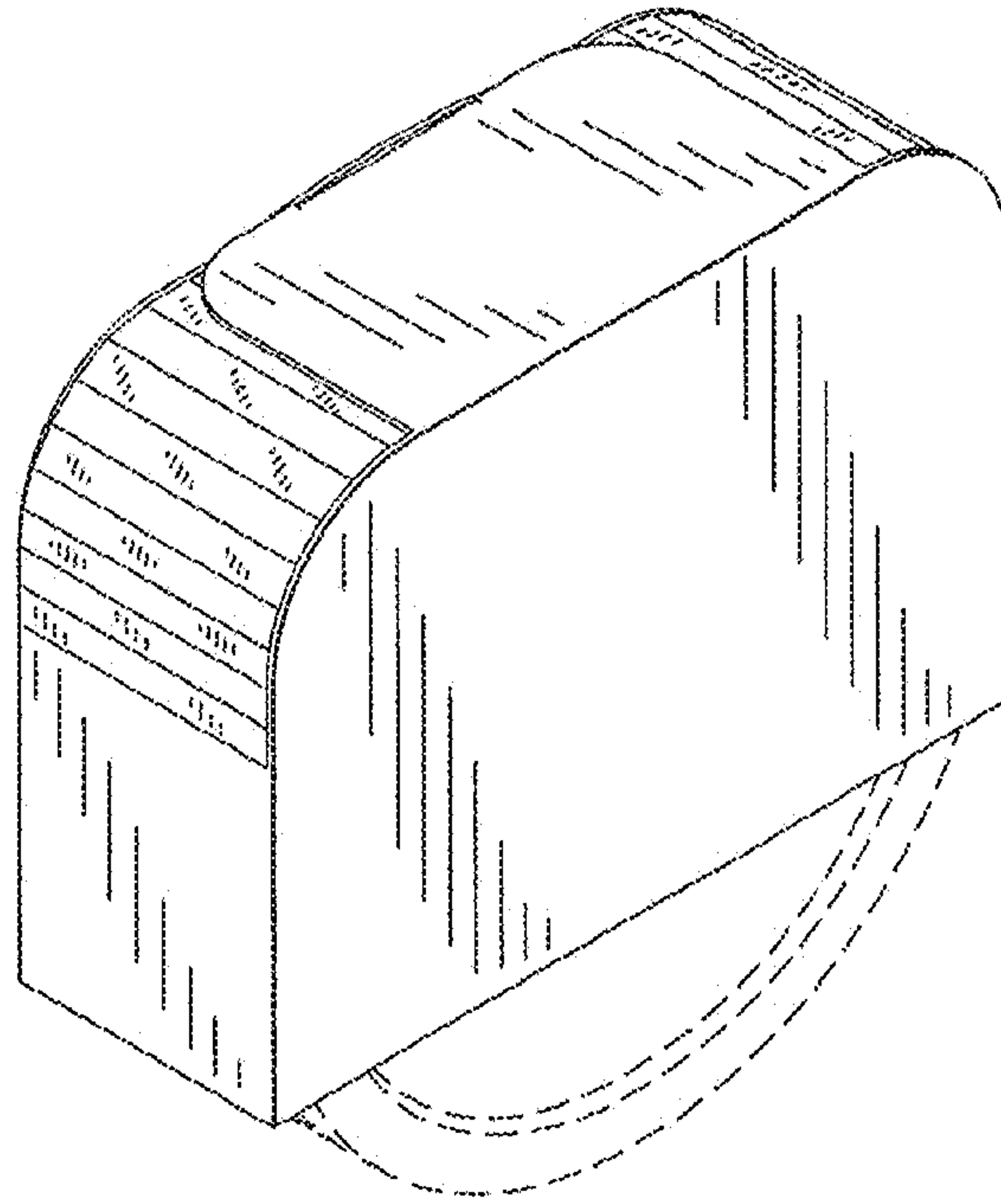


FIG. 1

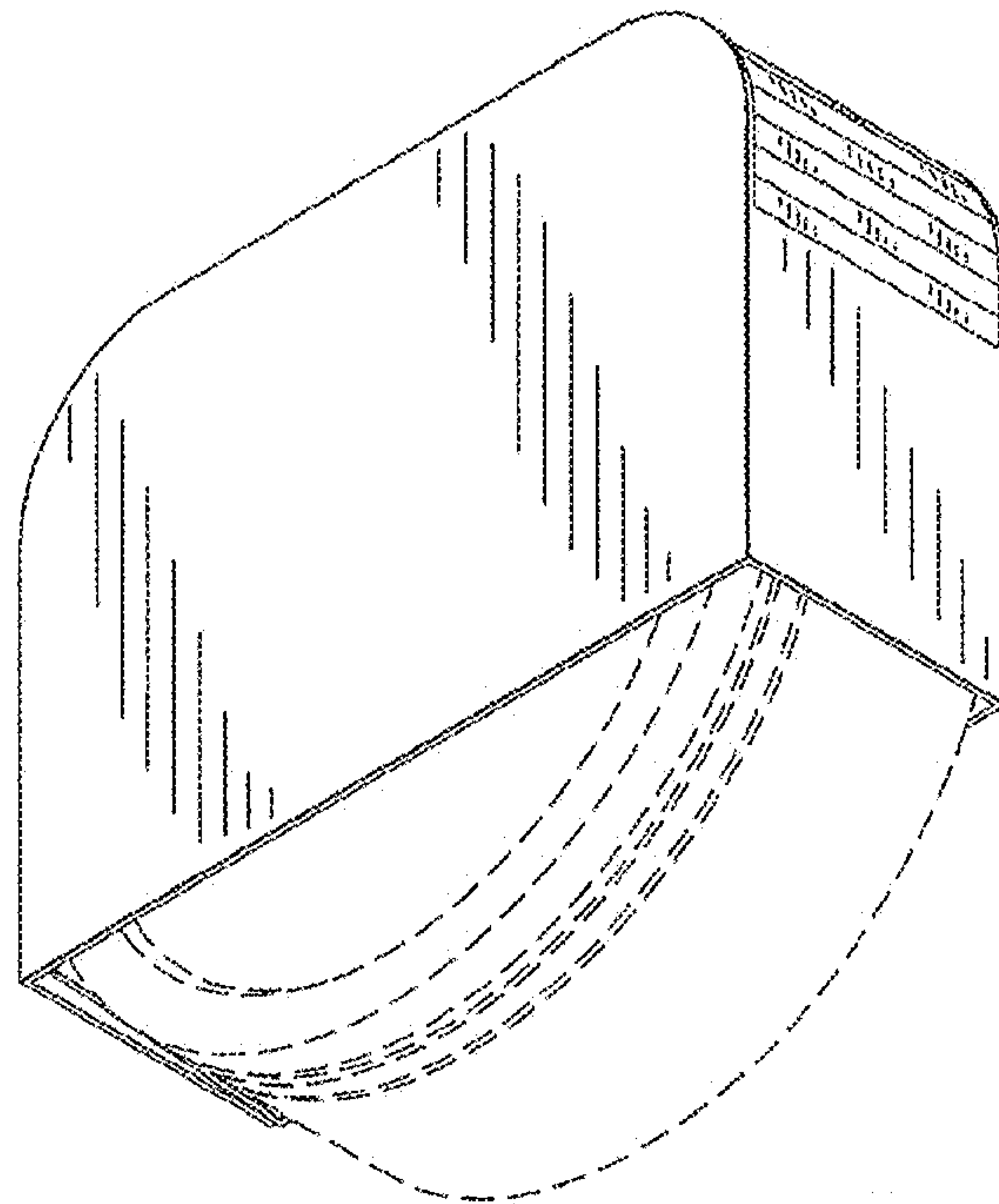


FIG. 2

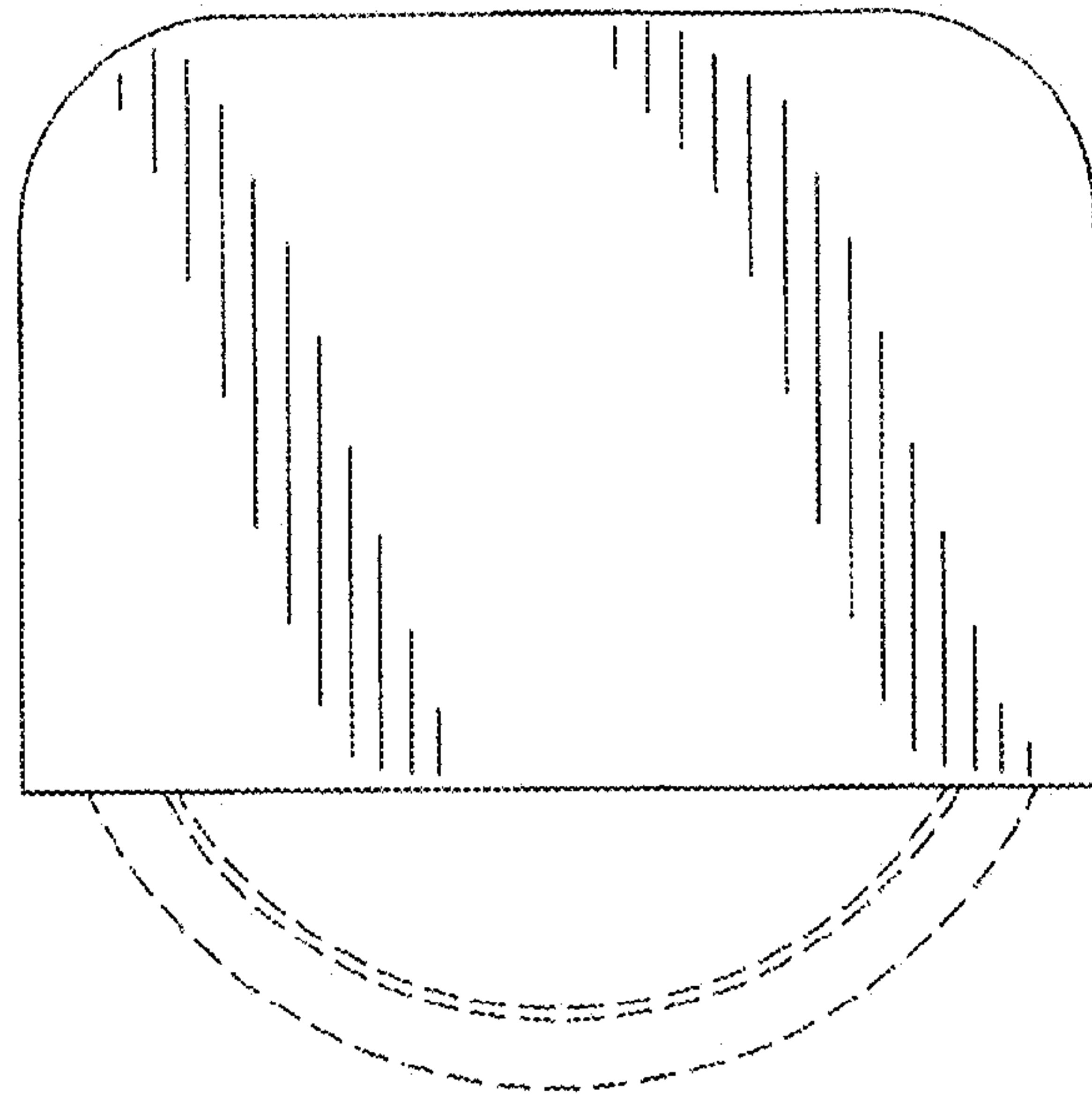


FIG. 3

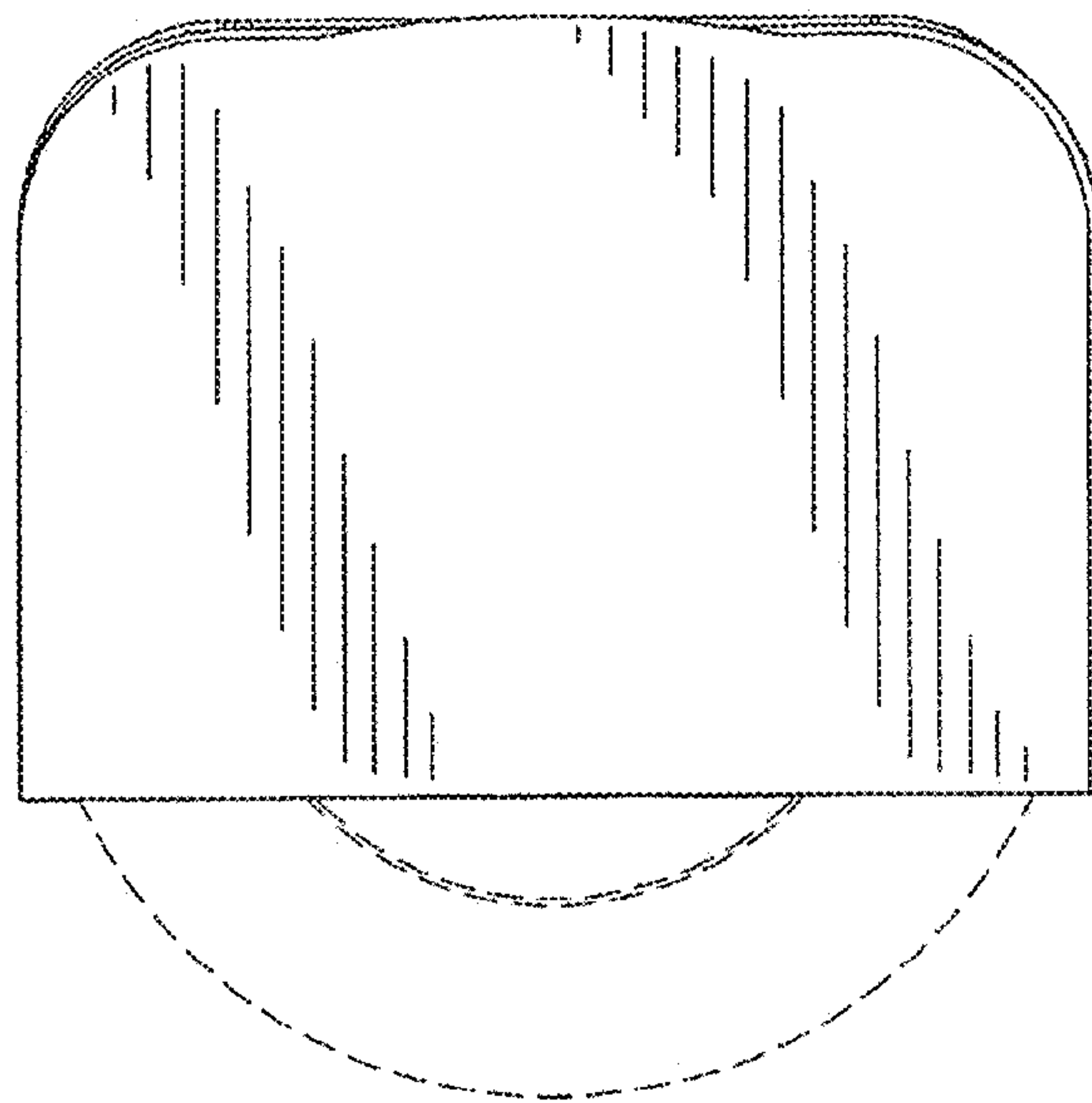


FIG. 4

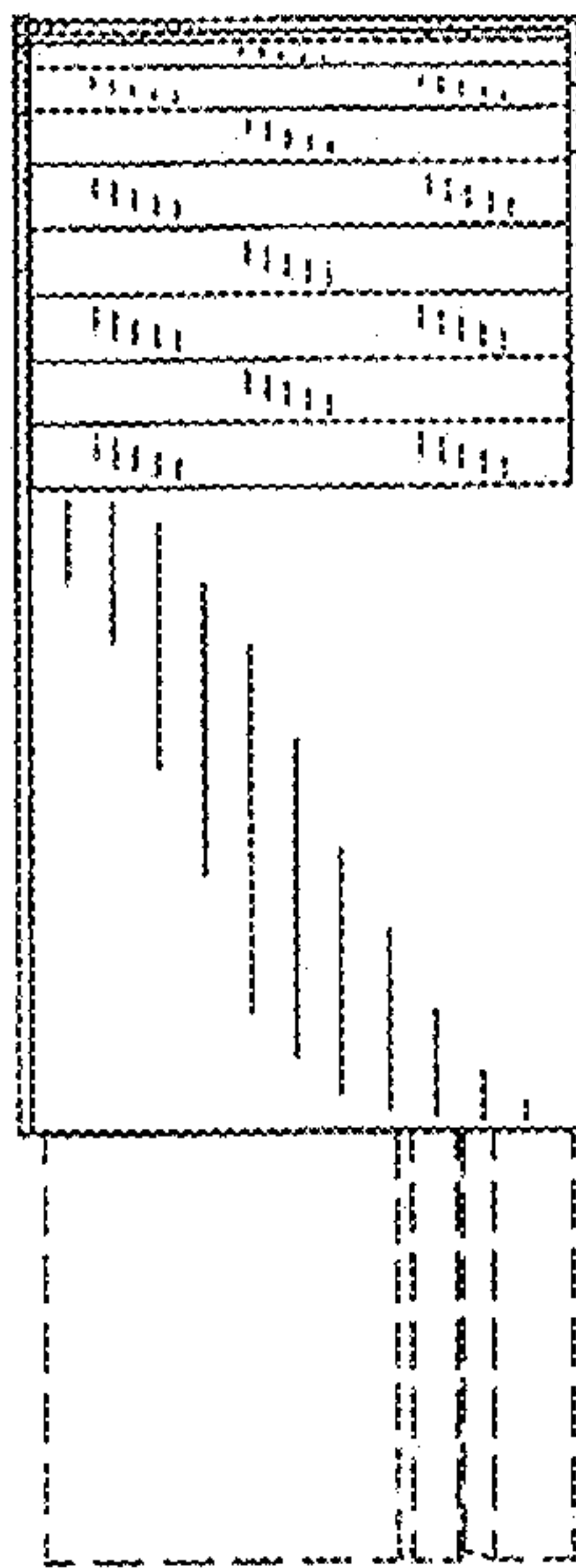


FIG. 5



FIG. 6

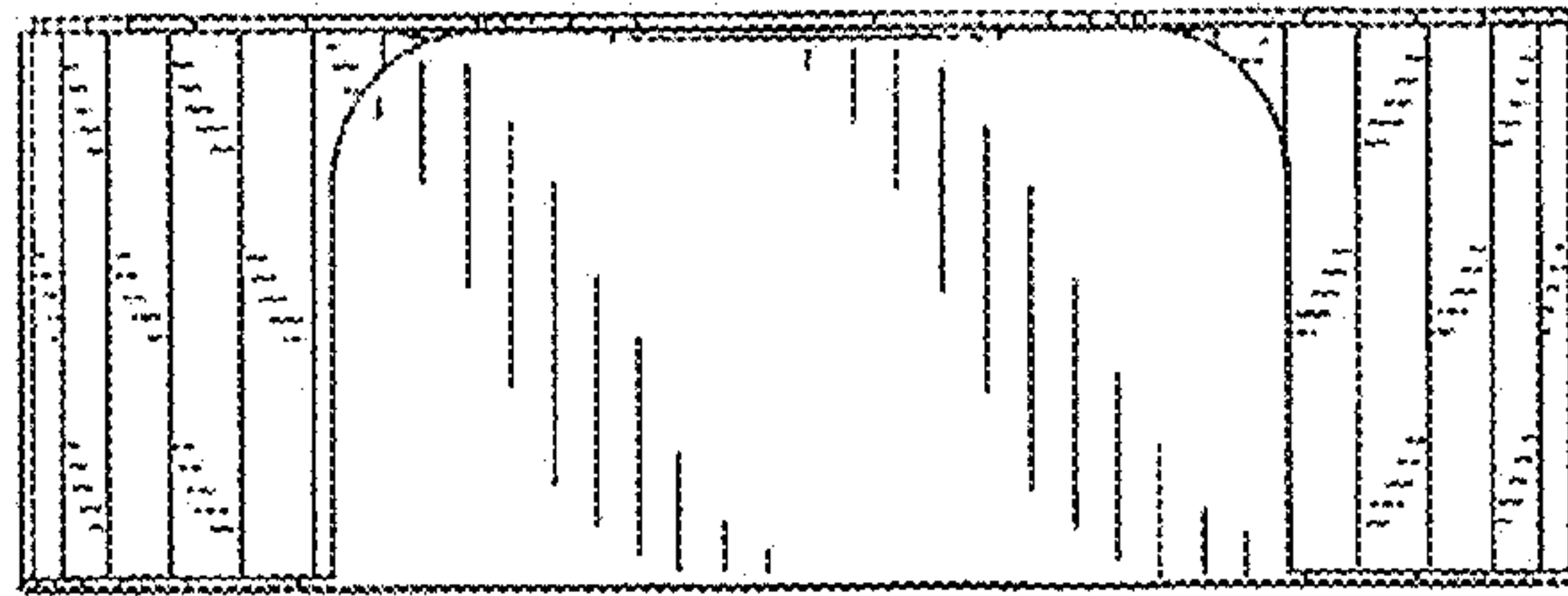


FIG. 7

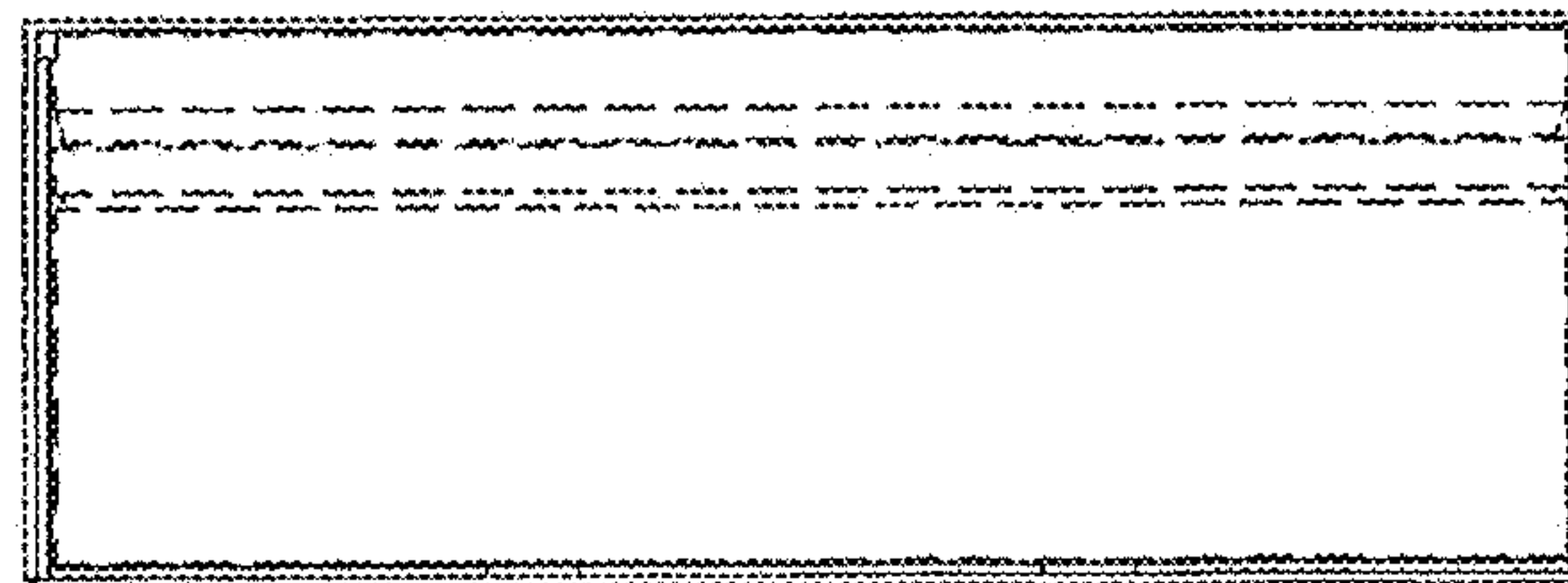


FIG. 8