



US00D723380S

(12) **United States Design Patent**
Miles

(10) **Patent No.:** **US D723,380 S**
(45) **Date of Patent:** **** Mar. 3, 2015**

- (54) **BOTTLE**
- (71) Applicant: **Christine R. Miles**, Houston, TX (US)
- (72) Inventor: **Christine R. Miles**, Houston, TX (US)
- (**) Term: **14 Years**
- (21) Appl. No.: **29/481,544**
- (22) Filed: **Feb. 6, 2014**
- (51) **LOC (10) Cl.** **09-01**
- (52) **U.S. Cl.**
USPC **D9/632; D9/503**
- (58) **Field of Classification Search**
USPC D9/600, 632, 667, 500-503, 516,
D9/537-545; 206/457, 527; 215/381-384,
215/400; 220/890; D7/514-517, 520
See application file for complete search history.

- D550,081 S * 9/2007 Christian et al. D9/500
- D611,822 S * 3/2010 Rajani et al. D9/520
- D671,008 S 11/2012 Monteparo et al.
- D671,417 S 11/2012 Kornestedt et al.
- D671,835 S 12/2012 Penal Saez
- D673,856 S 1/2013 Snyder
- D673,859 S 1/2013 Austin et al.
- D691,475 S * 10/2013 Potts D9/500

* cited by examiner

Primary Examiner — Sandra Morris
(74) *Attorney, Agent, or Firm* — Andrew W. Chu; Craft Chu PLLC

(57) **CLAIM**
The ornamental design for the bottle, as shown and described.

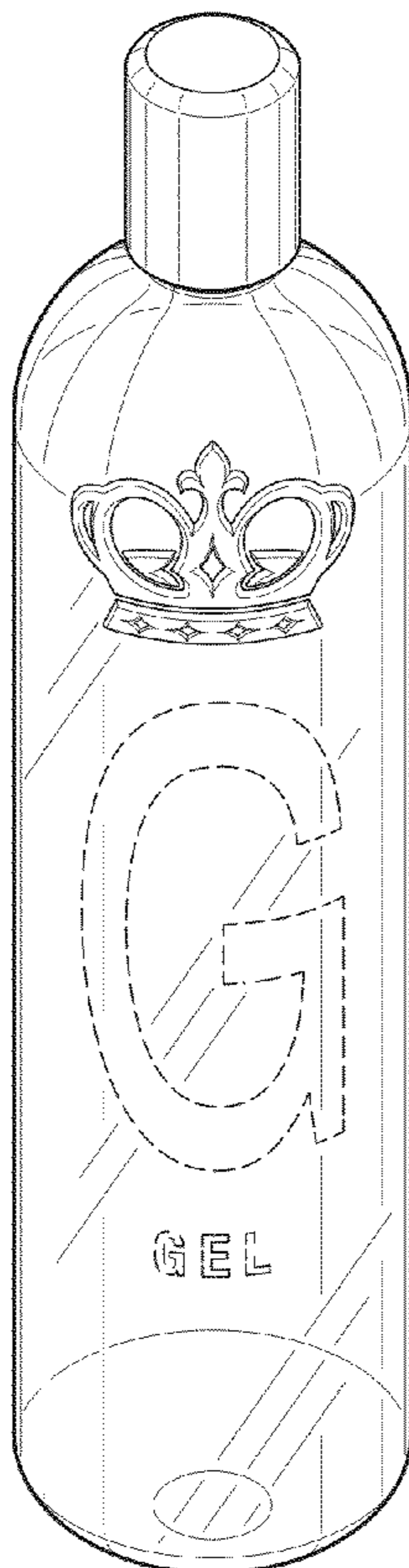
DESCRIPTION

FIG. 1 is an upper perspective view of the bottle showing my design.
FIG. 2 is a front elevation view thereof;
FIG. 3 is a back elevation view thereof;
FIG. 4 is a side elevation view thereof;
FIG. 5 is an opposite side elevation view thereof;
FIG. 6 is a top plan view thereof; and,
FIG. 7 is a bottom plan view thereof.
The features shown in broken lines are illustrative and form no part of the claimed design.

(56) **References Cited**
U.S. PATENT DOCUMENTS

- D308,477 S * 6/1990 van den Ordel D9/632
- D309,568 S * 7/1990 Beton D9/667
- D416,791 S * 11/1999 Albrecht et al. D9/632
- D467,804 S * 12/2002 Restrepo D9/500
- D481,308 S * 10/2003 Poujol D9/632

1 Claim, 2 Drawing Sheets



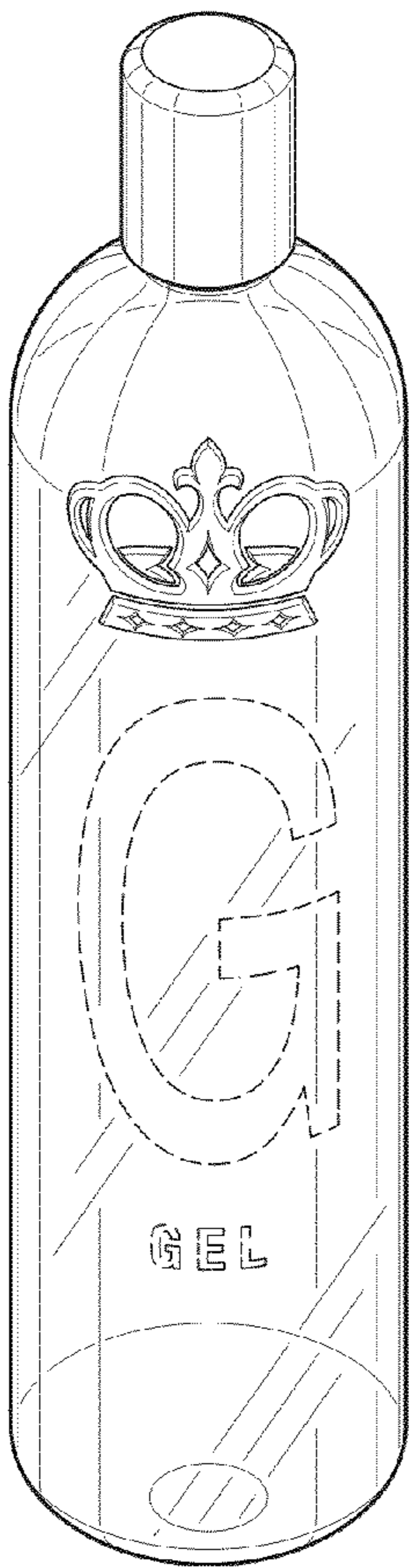


FIG. 1

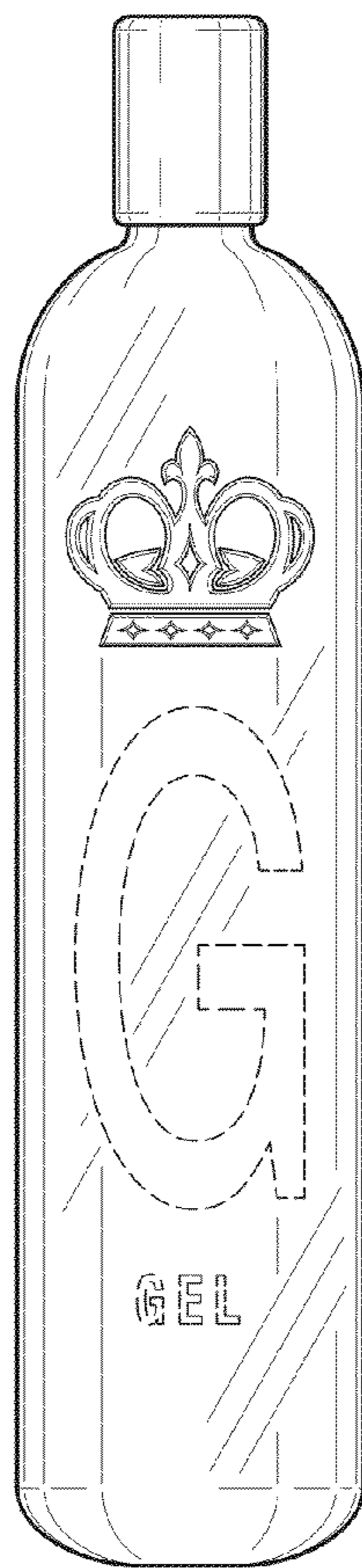


FIG. 2

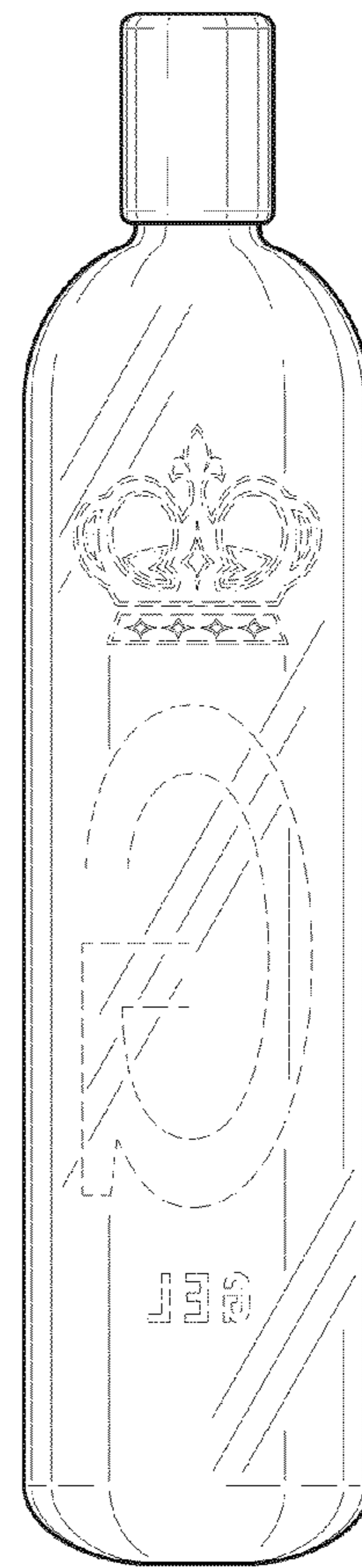


FIG. 3

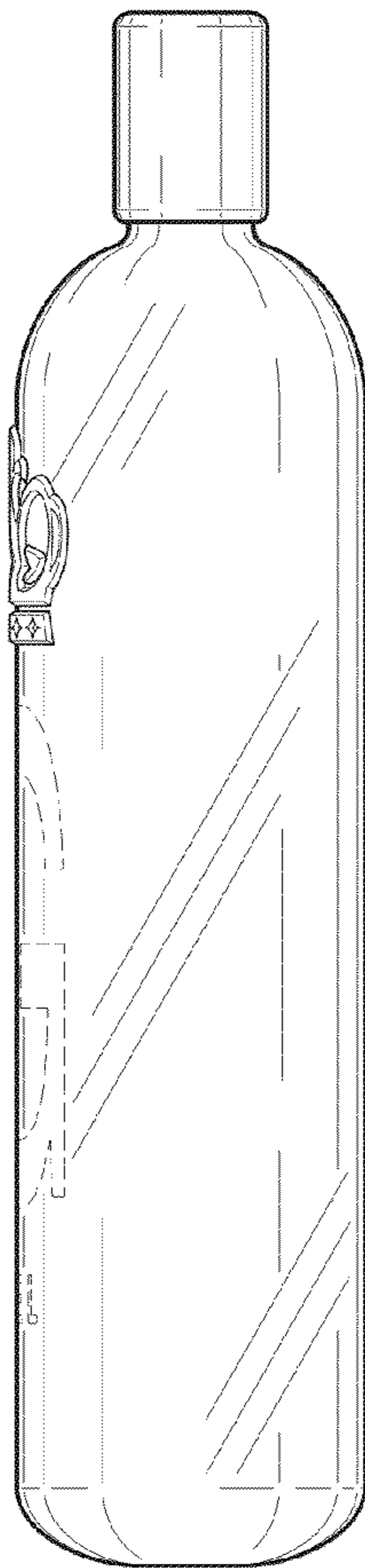


FIG. 4

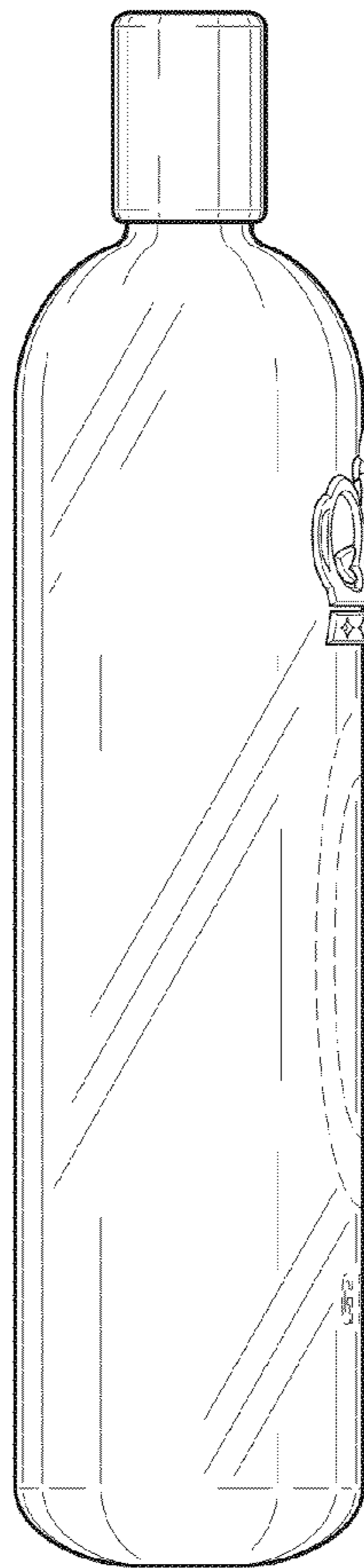


FIG. 5

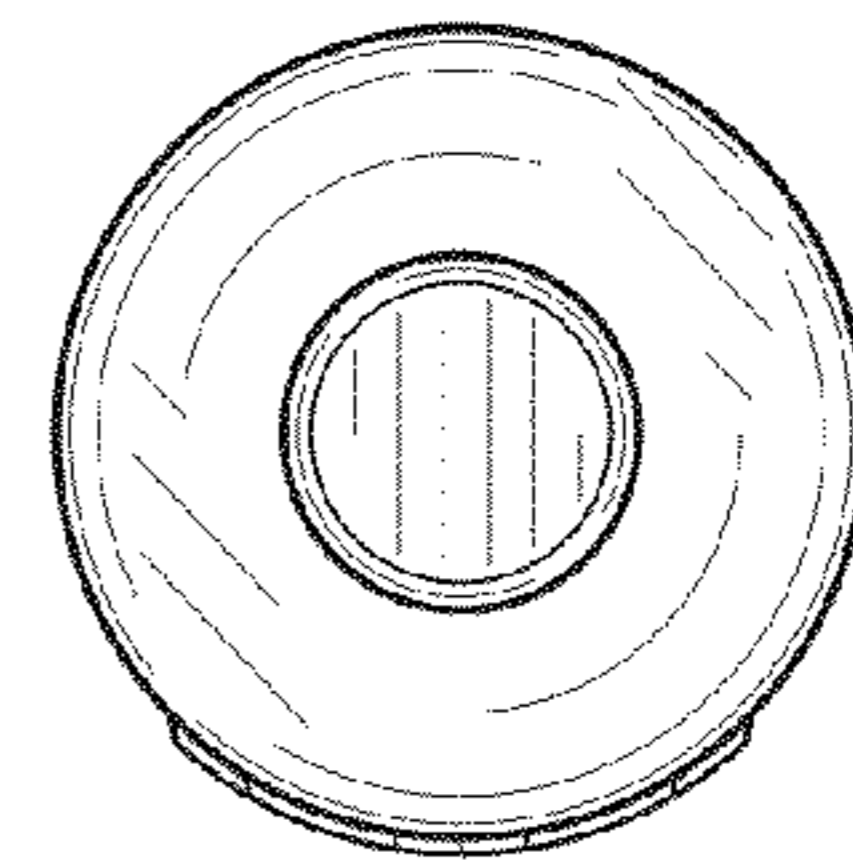


FIG. 6

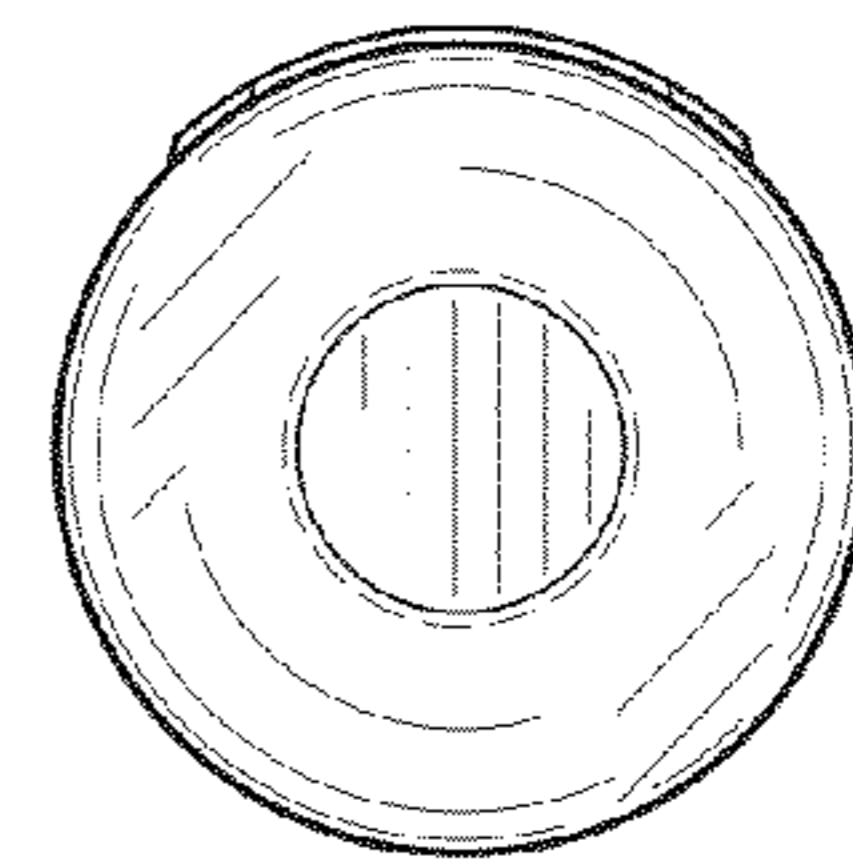


FIG. 7