



US00D723378S

(12) **United States Design Patent**  
**Kan et al.**

(10) **Patent No.:** **US D723,378 S**

(45) **Date of Patent:** **\*\* Mar. 3, 2015**

(54) **PERFUME BOTTLE**

(71) Applicants: **Dale Brandon Kan**, New York, NY  
(US); **Joey Sanchez**, New York, NY  
(US)

(72) Inventors: **Dale Brandon Kan**, New York, NY  
(US); **Joey Sanchez**, New York, NY  
(US)

(73) Assignee: **Flower Child Forever, Inc.**, Los  
Angeles, CA (US)

(\*\*) Term: **14 Years**

(21) Appl. No.: **29/455,844**

(22) Filed: **May 24, 2013**

(51) **LOC (10) Cl.** ..... **09-01**

(52) **U.S. Cl.**

USPC ..... **D9/562**; D9/566; D9/573; D9/574

(58) **Field of Classification Search**

CPC ..... B65D 1/00; B65D 1/40; B65D 23/00;  
B65D 2501/00

USPC ..... D9/434-435, 444-445, 451-452, 454,  
D9/516, 542, 544-546, 568, 572-574, 682,  
D9/686-687, 694; D28/91.1; D7/300;  
215/379, 382; 220/660, 669

See application file for complete search history.

(56) **References Cited**

**U.S. PATENT DOCUMENTS**

D83,907 S *	4/1931	Mathoux .....	D9/562
D97,847 S *	12/1935	Fuerst .....	D9/542
D116,756 S *	9/1939	Bergaud .....	D9/544
D120,147 S *	4/1940	Steuer .....	D9/568
D120,813 S *	5/1940	Kihn .....	D9/568

2,248,011 A *	7/1941	Neuschaefer .....	401/6
D130,597 S *	12/1941	Derham et al. ....	D9/449
D211,155 S *	5/1968	Knowles .....	D9/545
D270,138 S *	8/1983	Rosen .....	D9/562
D278,209 S *	4/1985	Dinand .....	D9/544
D332,572 S *	1/1993	Dinand .....	D9/520
D504,068 S *	4/2005	Thuillier et al. ....	D9/520
D562,690 S *	2/2008	Mansau .....	D9/600
D619,006 S *	7/2010	Veyssiere .....	D9/519
D644,117 S *	8/2011	Baumer .....	D9/630
D696,957 S *	1/2014	Pinabel .....	D9/555

\* cited by examiner

*Primary Examiner* — Ian Simmons

*Assistant Examiner* — Dana L Meyrow

(74) *Attorney, Agent, or Firm* — Fross Zelnick Lehrman &  
Zissu, P.C.; Charles T. J. Weigell, Esq.

(57) **CLAIM**

The ornamental design for a perfume bottle, as shown and described.

**DESCRIPTION**

FIG. 1 is a front perspective view of a perfume bottle showing my new design;

FIG. 2 is a front view of the perfume bottle shown in FIG. 1 (with the back view being the same);

FIG. 3 is a side view of the perfume bottle shown in FIG. 1 (with the other side being the same);

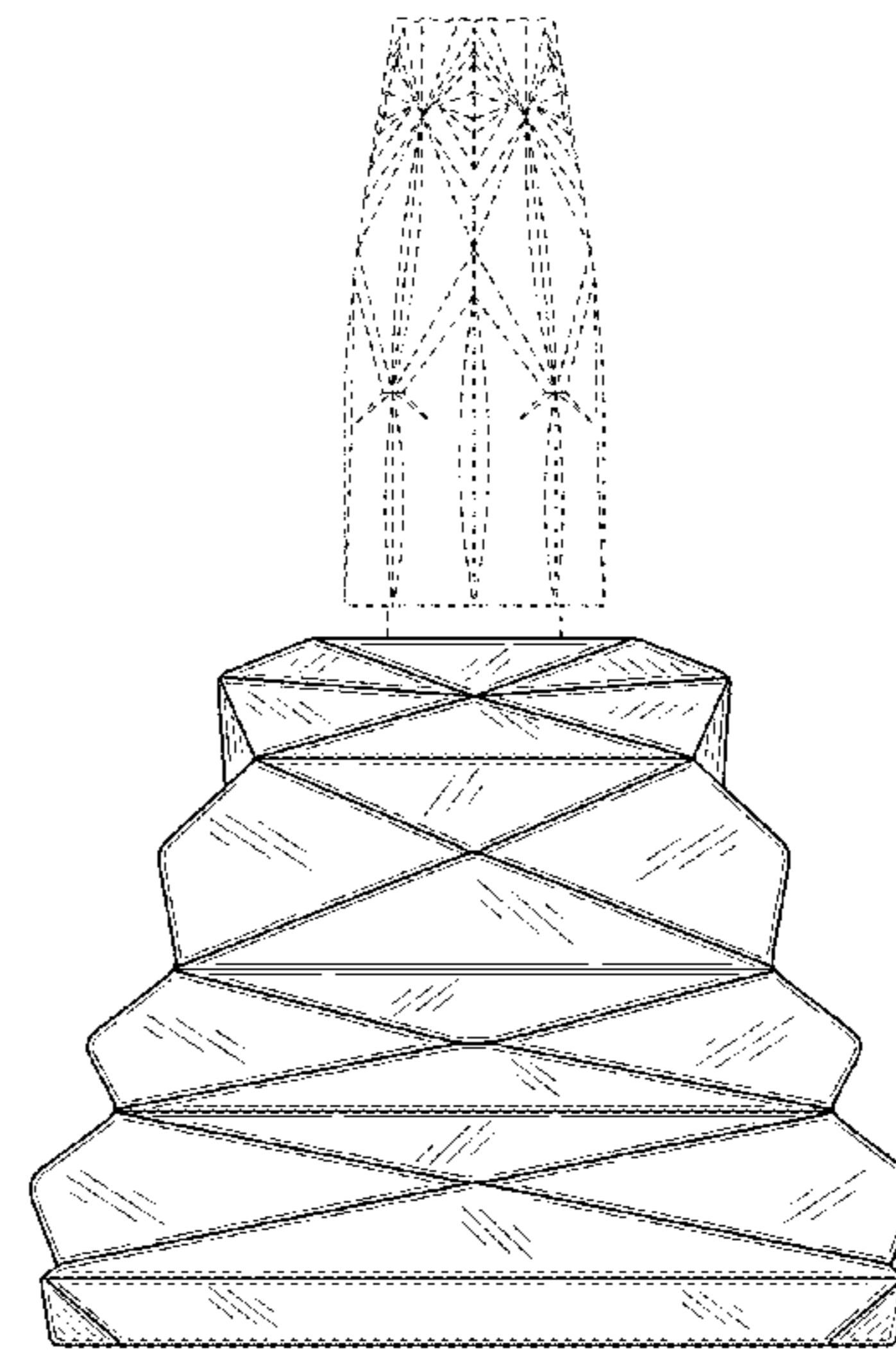
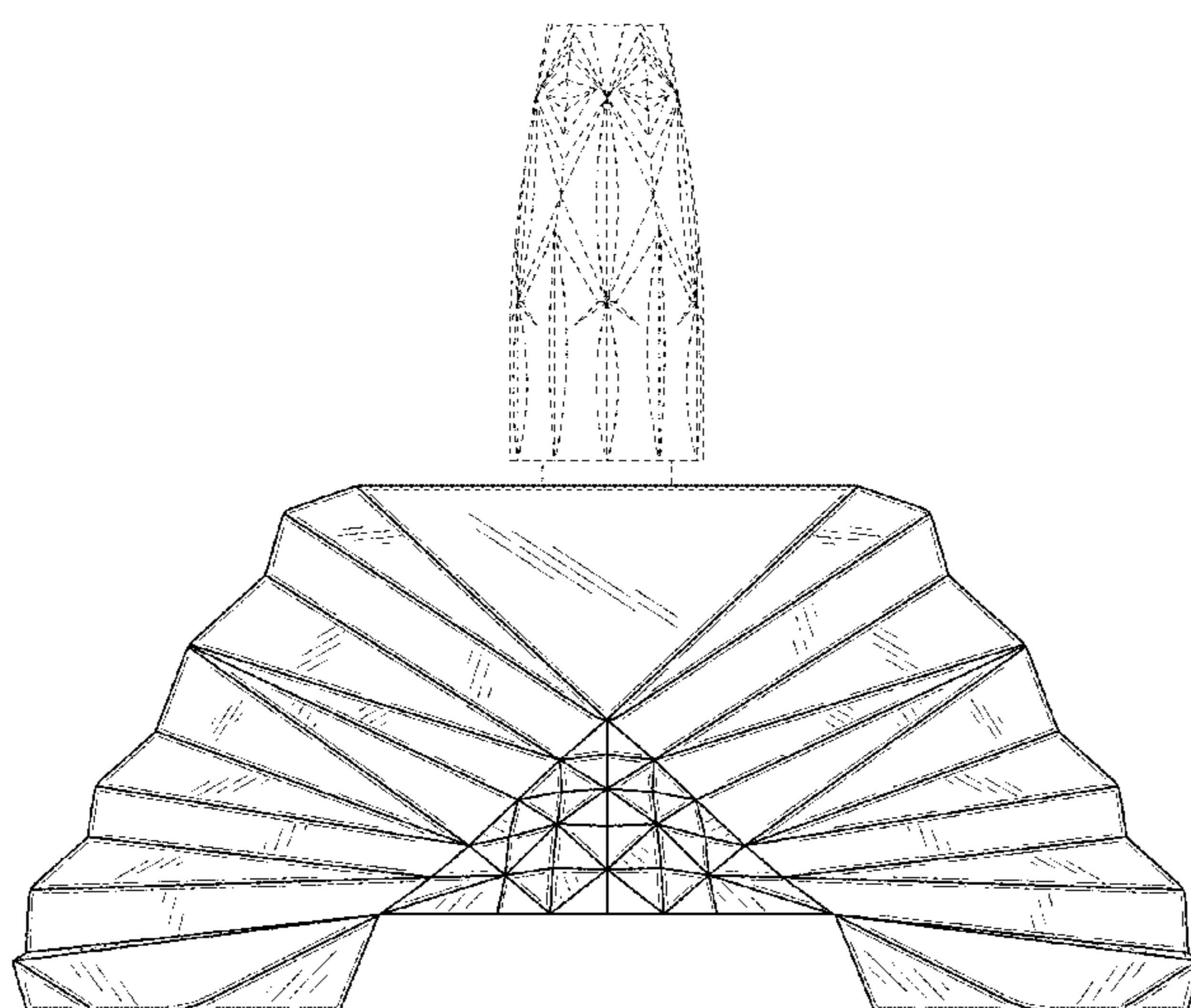
FIG. 4 is a top view of the perfume bottle shown in FIG. 1;

FIG. 5 is a bottom view of the perfume bottle shown in FIG. 1; and,

FIG. 6 is an exploded front perspective view of the perfume bottle shown in FIG. 1, with cap removed to reveal the spray nozzle.

The broken line showing of the cap and spray nozzle shows unclaimed subject matter for the design in those drawings.

**1 Claim, 5 Drawing Sheets**



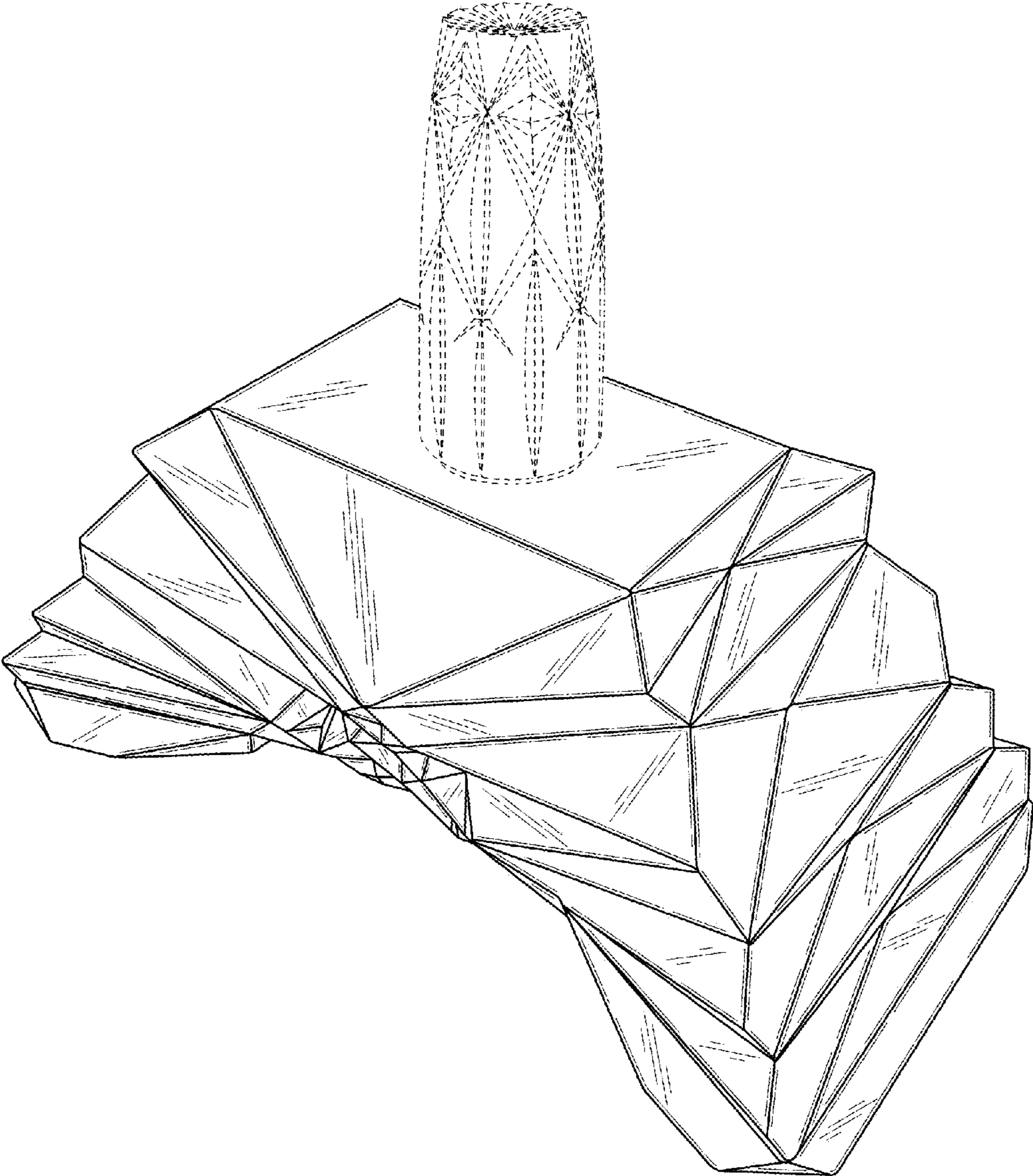


FIG. 1

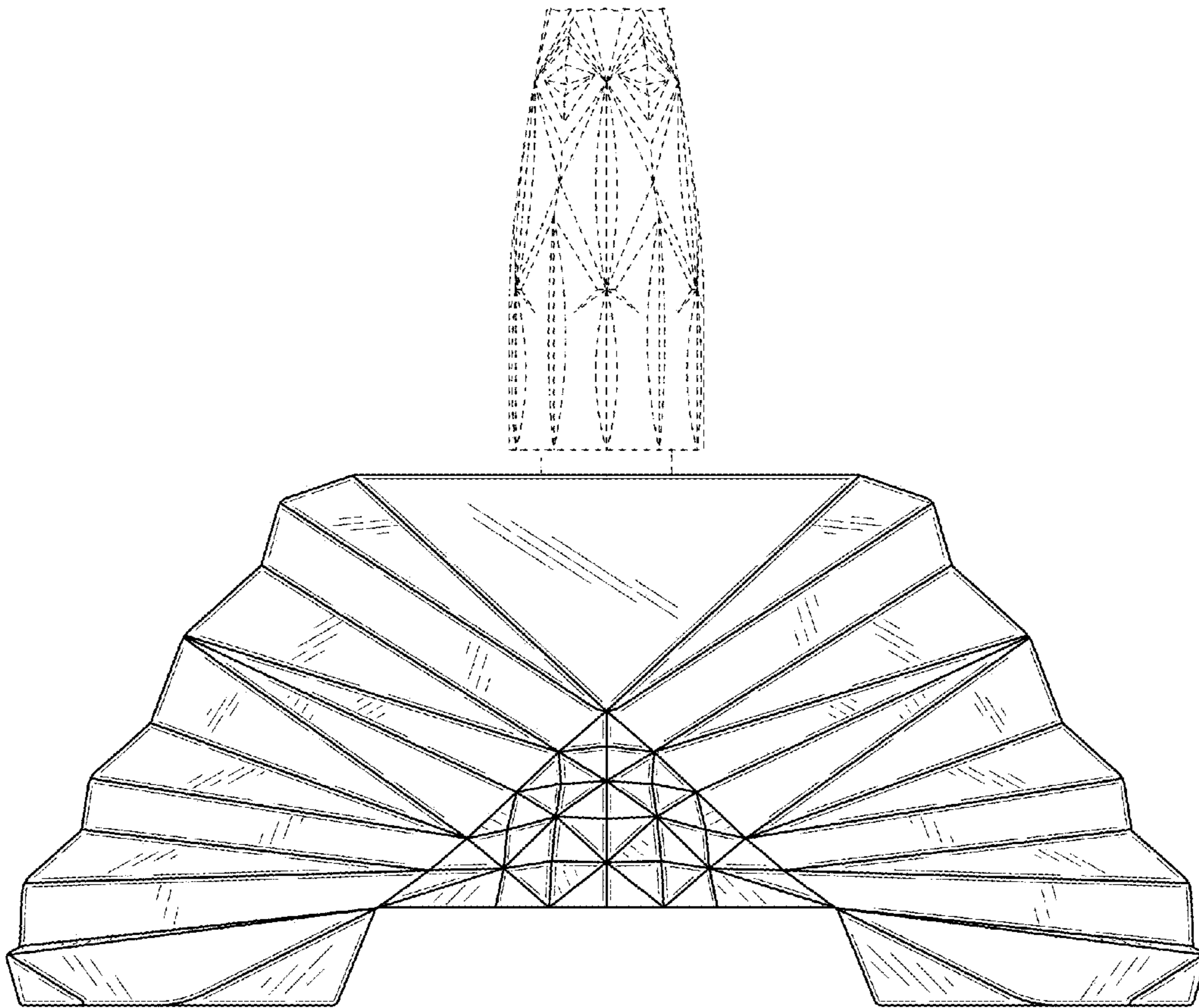


FIG. 2

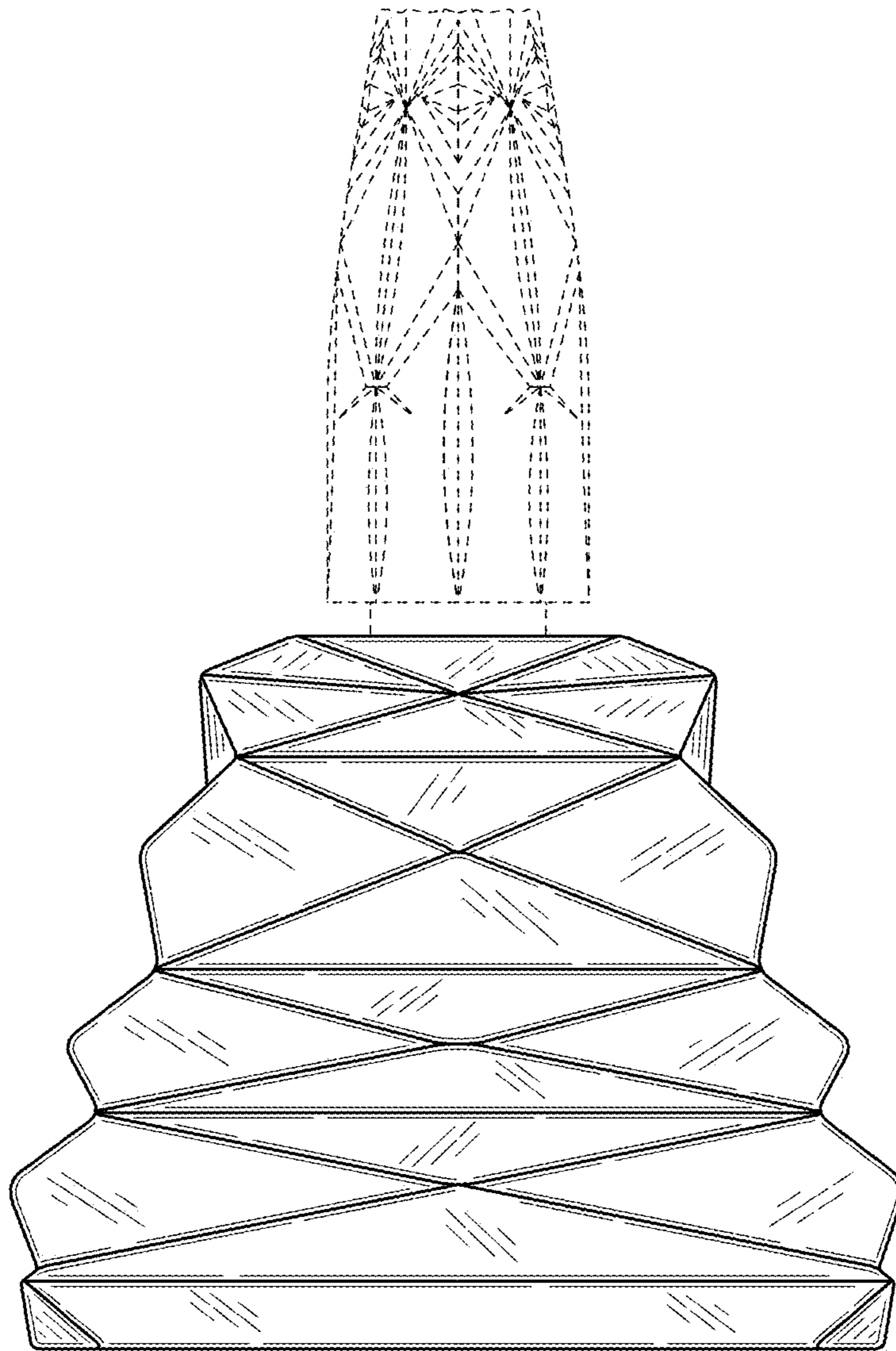


FIG. 3

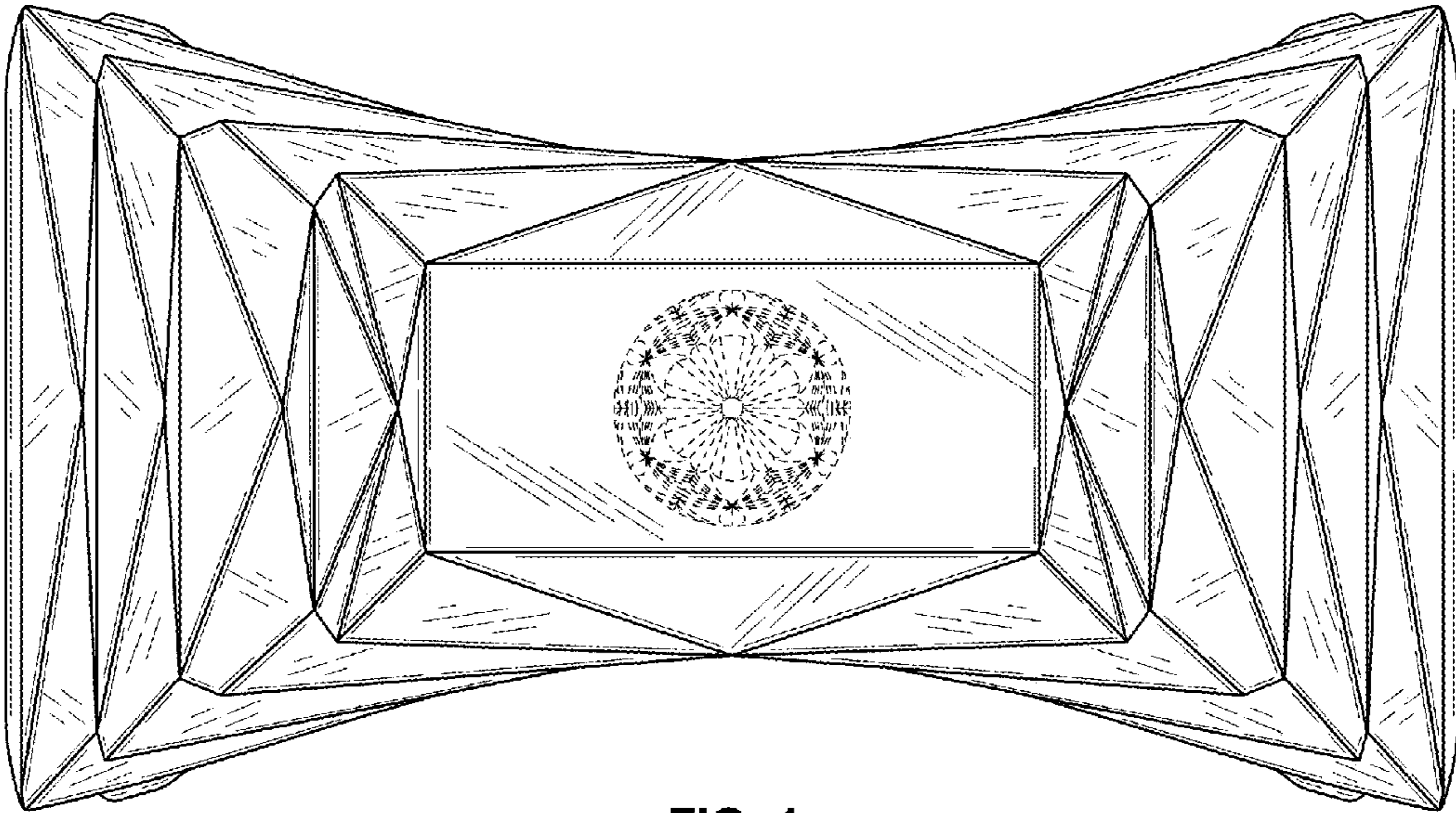


FIG. 4

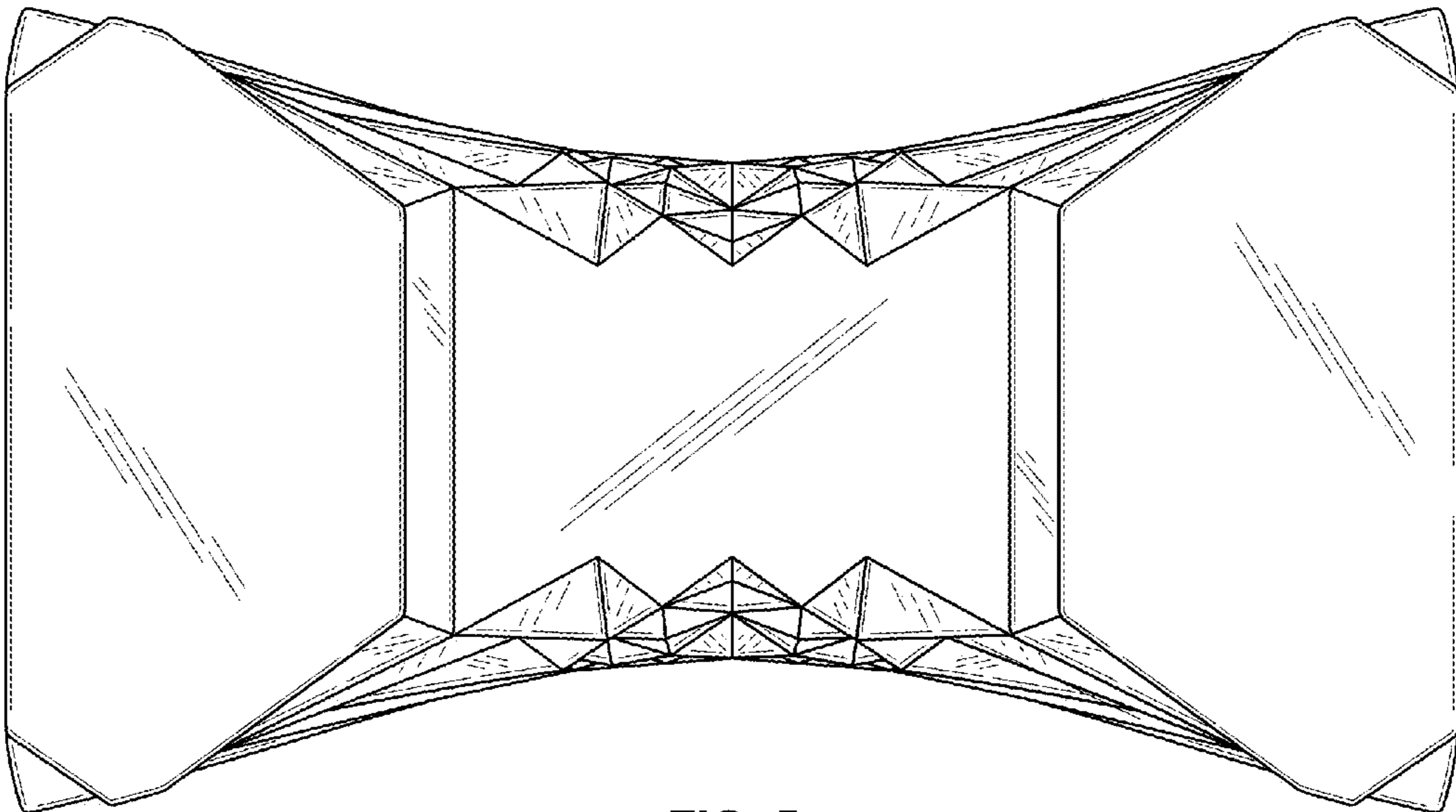


FIG. 5

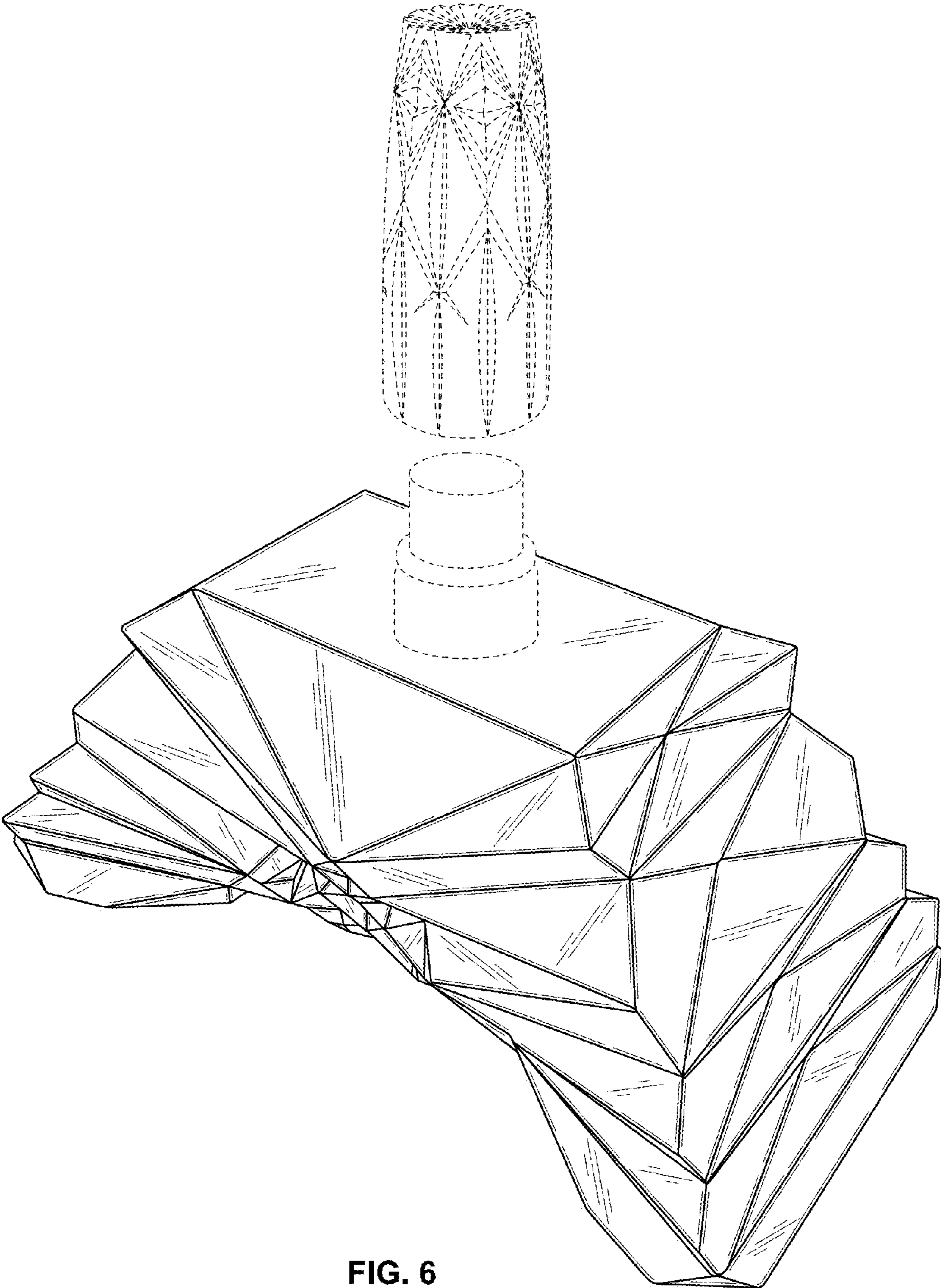


FIG. 6