

US00D723376S

(12) **United States Design Patent**  
**Adair et al.**

(10) **Patent No.:** **US D723,376 S**  
(45) **Date of Patent:** **\*\* Mar. 3, 2015**

(54) **BOTTLE**

(75) Inventors: **Joel E. Adair**, Racine, WI (US); **Brian T. Davis**, Burlington, WI (US); **Bradley H. Price**, Brooklyn, NY (US); **Shigeru G. Natsume**, Brooklyn, NY (US); **Dirk K. Nickel**, Mukwonago, WI (US); **Tracy L. Guard**, Milwaukee, WI (US)

(73) Assignee: **S.C. Johnson & Son, Inc.**, Racine, WI (US)

(\*\*) Term: **14 Years**

(21) Appl. No.: **29/428,486**

(22) Filed: **Jul. 31, 2012**

(51) **LOC (10) Cl.** ..... **09-01**

(52) **U.S. Cl.**  
USPC ..... **D9/539; D9/542; D9/553; D9/558; D9/574**

(58) **Field of Classification Search**  
USPC ..... **D9/516, 522, 530, 542-544, 552, 558, D9/565, 574-575**  
See application file for complete search history.

(56) **References Cited**

**U.S. PATENT DOCUMENTS**

D54,463	S	*	2/1920	Scott	.....	D9/765
D107,360	S	*	12/1937	McIntosh	.....	D9/542
D118,381	S	*	1/1940	McIntosh	.....	D9/562
2,656,842	A	*	10/1953	Ammarell	.....	132/73
D205,551	S	*	8/1966	Swayze	.....	D9/574
3,288,556	A		11/1966	Weber, III		
D225,211	S	*	11/1972	Sackler	.....	D9/573
4,251,714	A		2/1981	Zobele		
D284,352	S	*	6/1986	Thompson	.....	D9/529 X
D291,778	S	*	9/1987	Rosenwinkel	.....	D9/542
4,771,563	A		9/1988	Easley		
4,874,924	A		10/1989	Yamamoto et al.		
5,038,394	A		8/1991	Hasegawa et al.		
5,222,186	A		6/1993	Schimanski et al.		
5,647,053	A		7/1997	Schroeder et al.		
5,940,577	A		8/1999	Steinel		
D439,319	S	*	3/2001	Wolpert	.....	D23/363

6,446,384	B2		9/2002	Pedrotti et al.		
6,487,367	B2		11/2002	Vieira		
6,501,906	B2		12/2002	Vieira		
6,563,091	B2		5/2003	Vieira		
6,594,445	B2		7/2003	Basaganas Millan		
D478,512	S	*	8/2003	Duston et al.	.....	D9/522
D479,804	S	*	9/2003	Wolpert et al.	.....	D9/516 X
6,622,662	B1	*	9/2003	Wolpert et al.	.....	122/366
D480,309	S	*	10/2003	Choke-arpornchai et al.		D9/565 X
D480,316	S	*	10/2003	Wolpert et al.	.....	D9/516 X
D487,588	S	*	3/2004	Millan	.....	D23/366
6,782,194	B2		8/2004	Schneiderbauer		
6,859,615	B2		2/2005	Yip et al.		

(Continued)

*Primary Examiner* — Carol P Rademaker

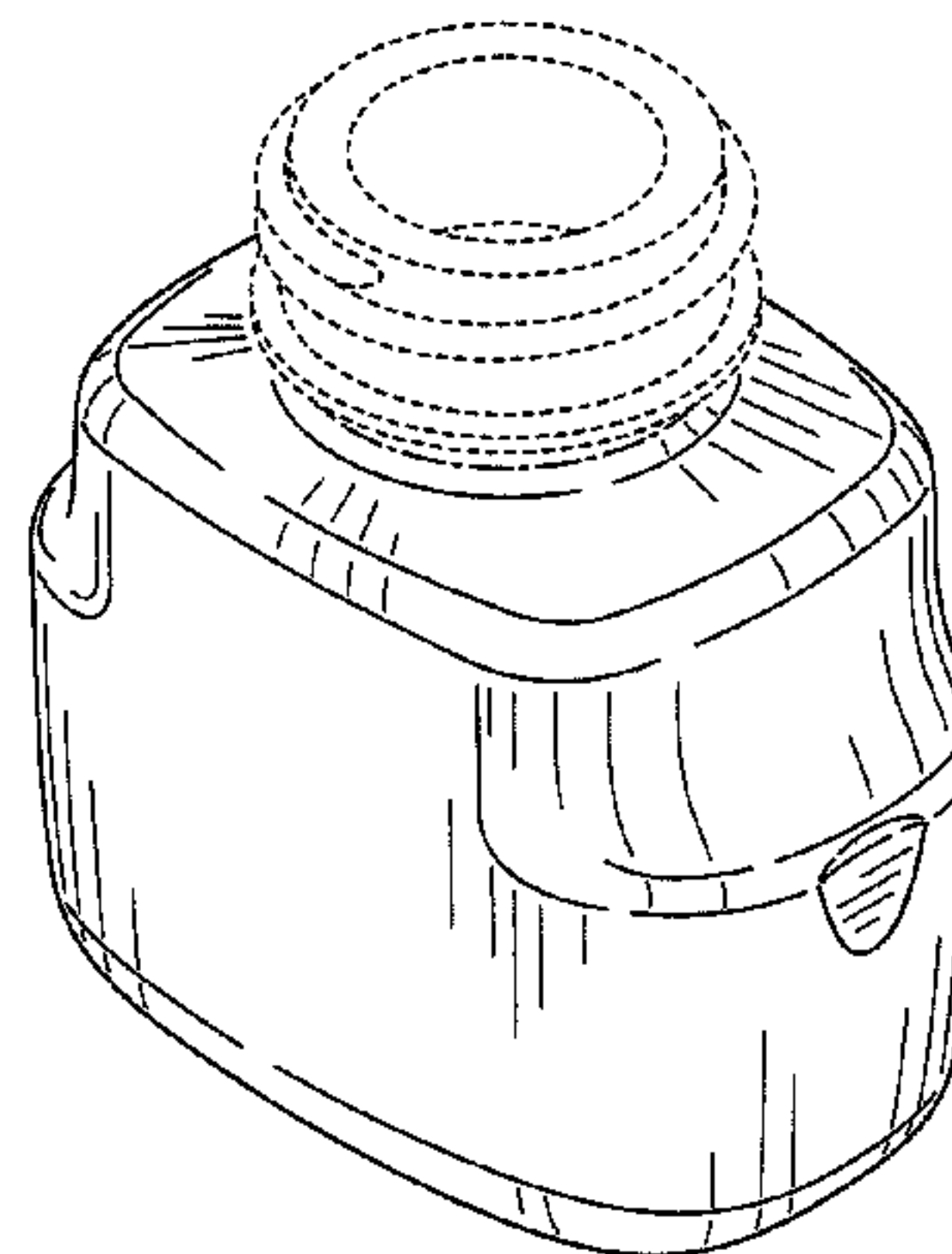
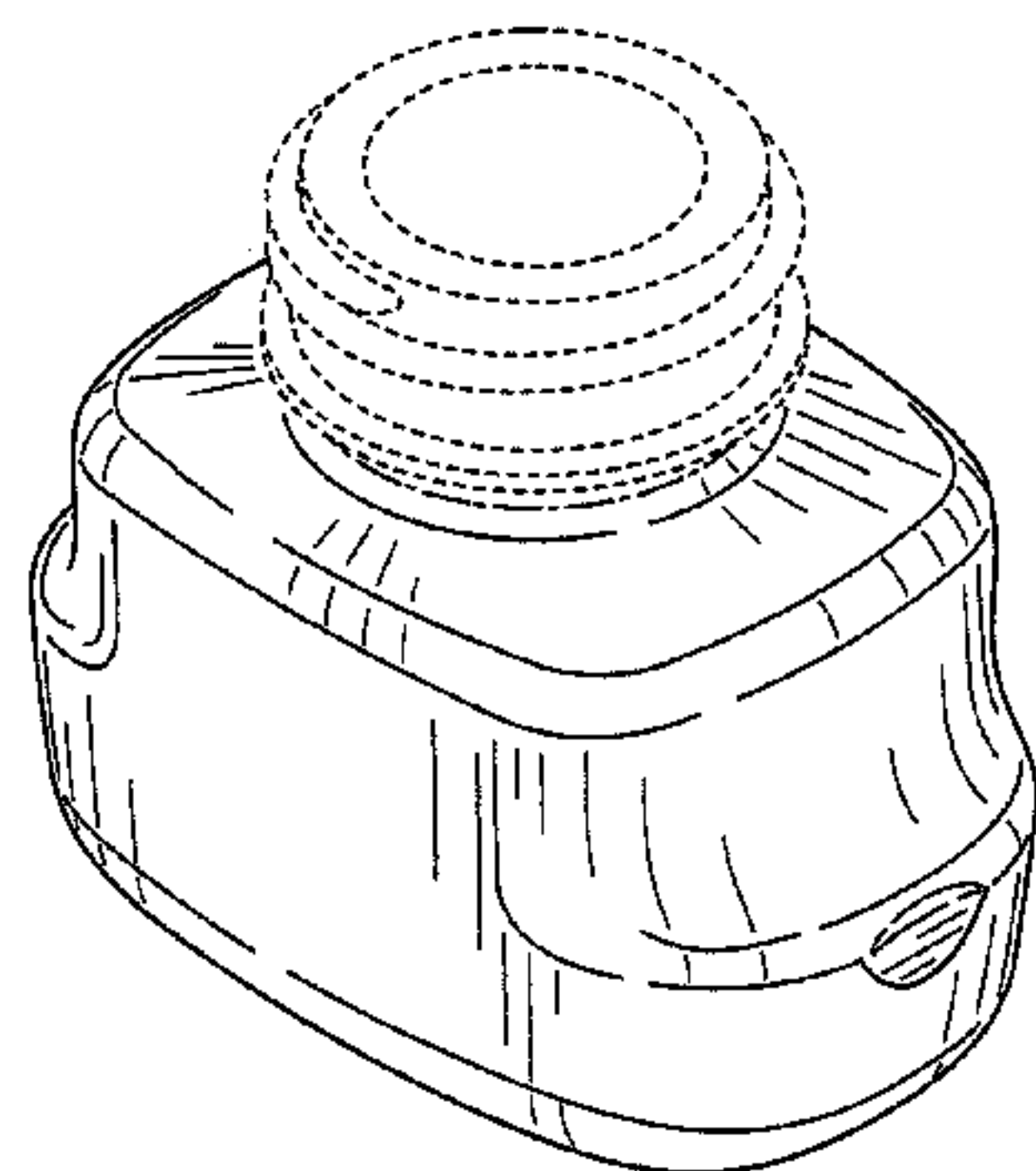
(57) **CLAIM**

The ornamental design for a bottle, as shown and described.

**DESCRIPTION**

FIG. 1 is a top, front, right side perspective view of a first embodiment of a bottle;  
 FIG. 2 is a front elevational view thereof, the rear elevational view being identical except for the unclaimed threads;  
 FIG. 3 is a right side elevational view thereof, the left side elevational view being identical except for the unclaimed threads;  
 FIG. 4 is a top plan view thereof;  
 FIG. 5 is a bottom plan view thereof;  
 FIG. 6 is a top, front, right side perspective view of a second embodiment of a bottle;  
 FIG. 7 is a front elevational view thereof, the rear elevational view being identical except for the unclaimed threads;  
 FIG. 8 is a right side elevational view thereof, the left side elevational view being identical except for the unclaimed threads;  
 FIG. 9 is a top plan view thereof; and,  
 FIG. 10 is a bottom plan view thereof.  
 The broken lines shown in the drawing views are included for the purpose of illustrating environmental structure and form no part of the claimed design.

**1 Claim, 6 Drawing Sheets**



(56)

**References Cited**

U.S. PATENT DOCUMENTS

D505,080 S \* 5/2005 Cagle ..... D9/571  
6,909,840 B2 6/2005 Harwig et al.  
7,014,818 B2 3/2006 Rymer  
D518,730 S \* 4/2006 Caserta et al. .... D9/522  
D532,696 S \* 11/2006 Boudard ..... D9/574 X  
7,167,641 B2 1/2007 Tam et al.  
D536,980 S \* 2/2007 Smith et al. .... D9/522

D579,340 S \* 10/2008 Dickman et al. .... D9/558  
7,519,279 B2 4/2009 Zobele  
D592,510 S \* 5/2009 Dell'Orto ..... D9/500  
7,540,432 B2 \* 6/2009 Majerowski et al. .... 239/51.5  
RE41,055 E \* 12/2009 Choke-arpornchai et al. D9/565  
X  
D616,751 S \* 6/2010 Ko et al. .... D9/543 X  
D634,209 S \* 3/2011 Myojin et al. .... D9/565 X  
7,962,017 B2 6/2011 Viera  
D646,573 S \* 10/2011 Kubicek et al. .... D9/522

\* cited by examiner

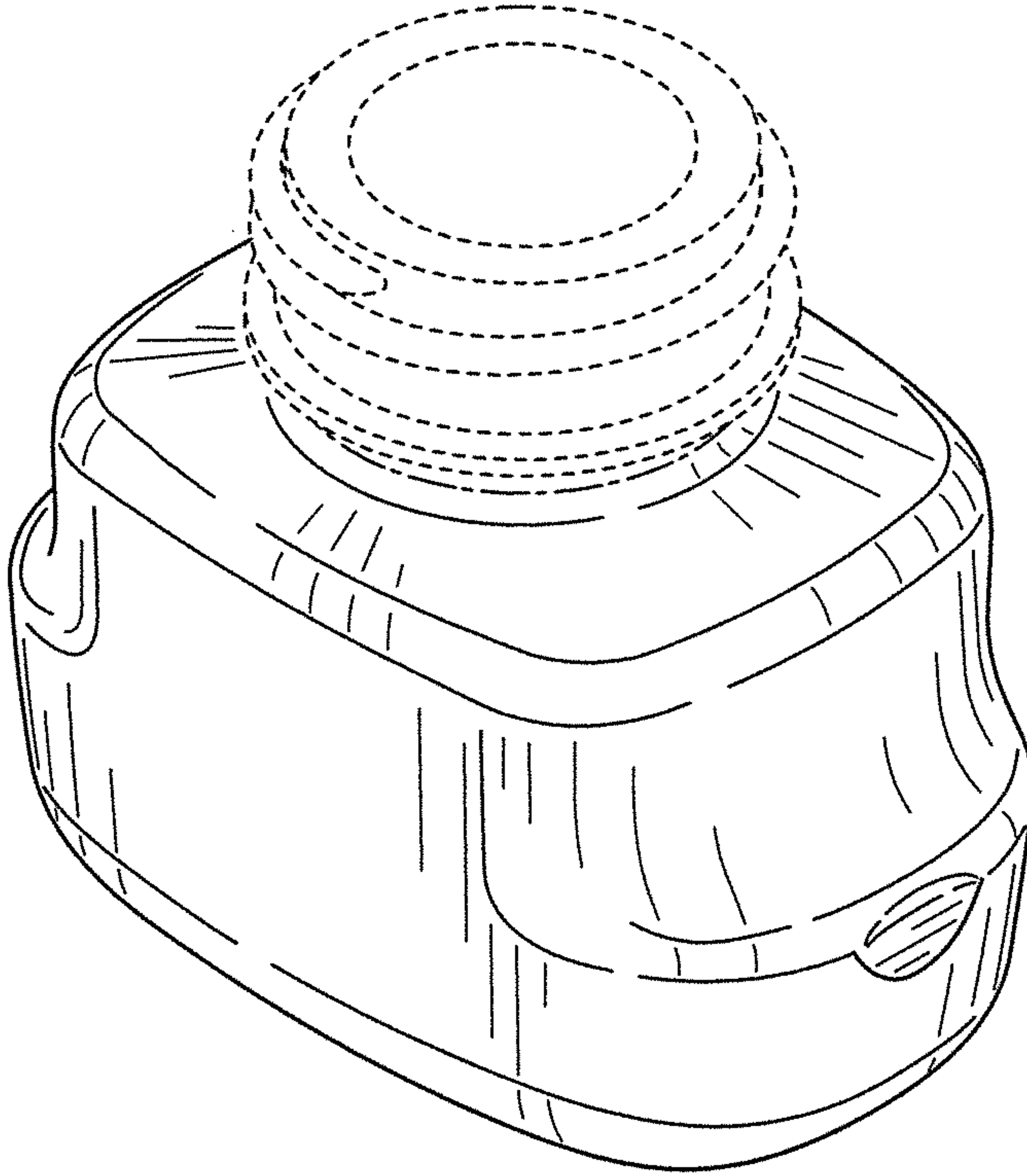


FIG. 1

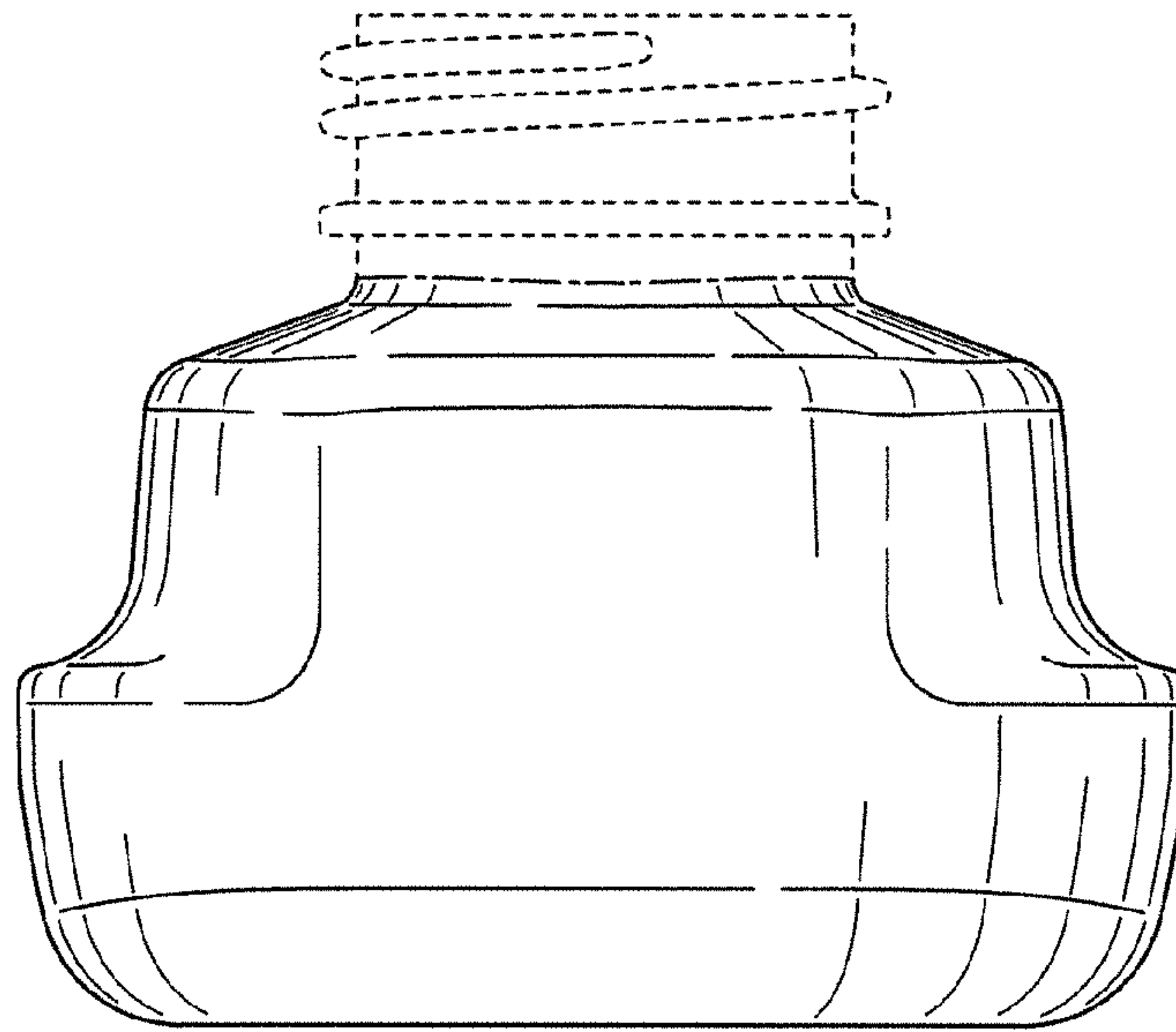


FIG. 2

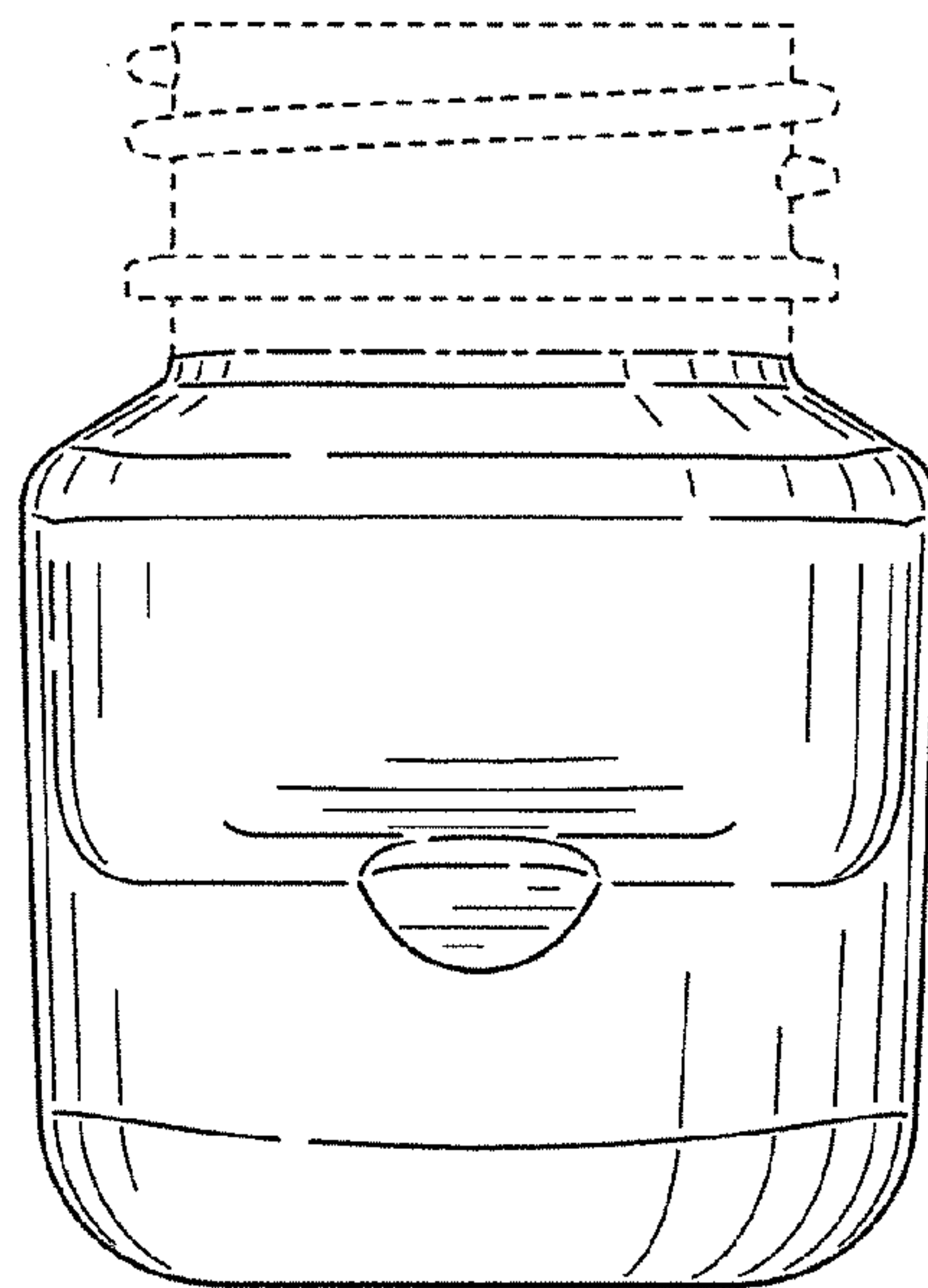


FIG. 3



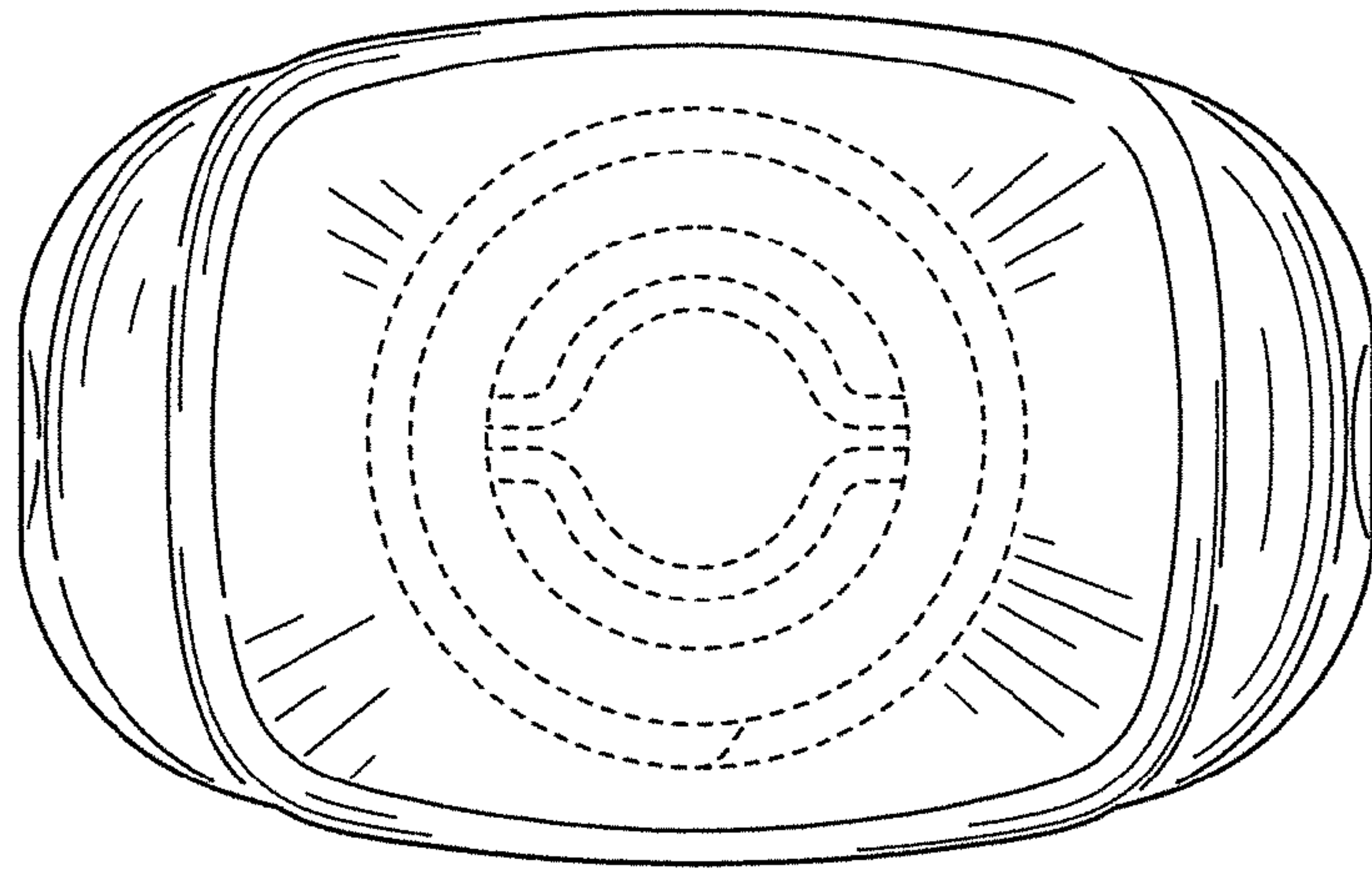


FIG. 4

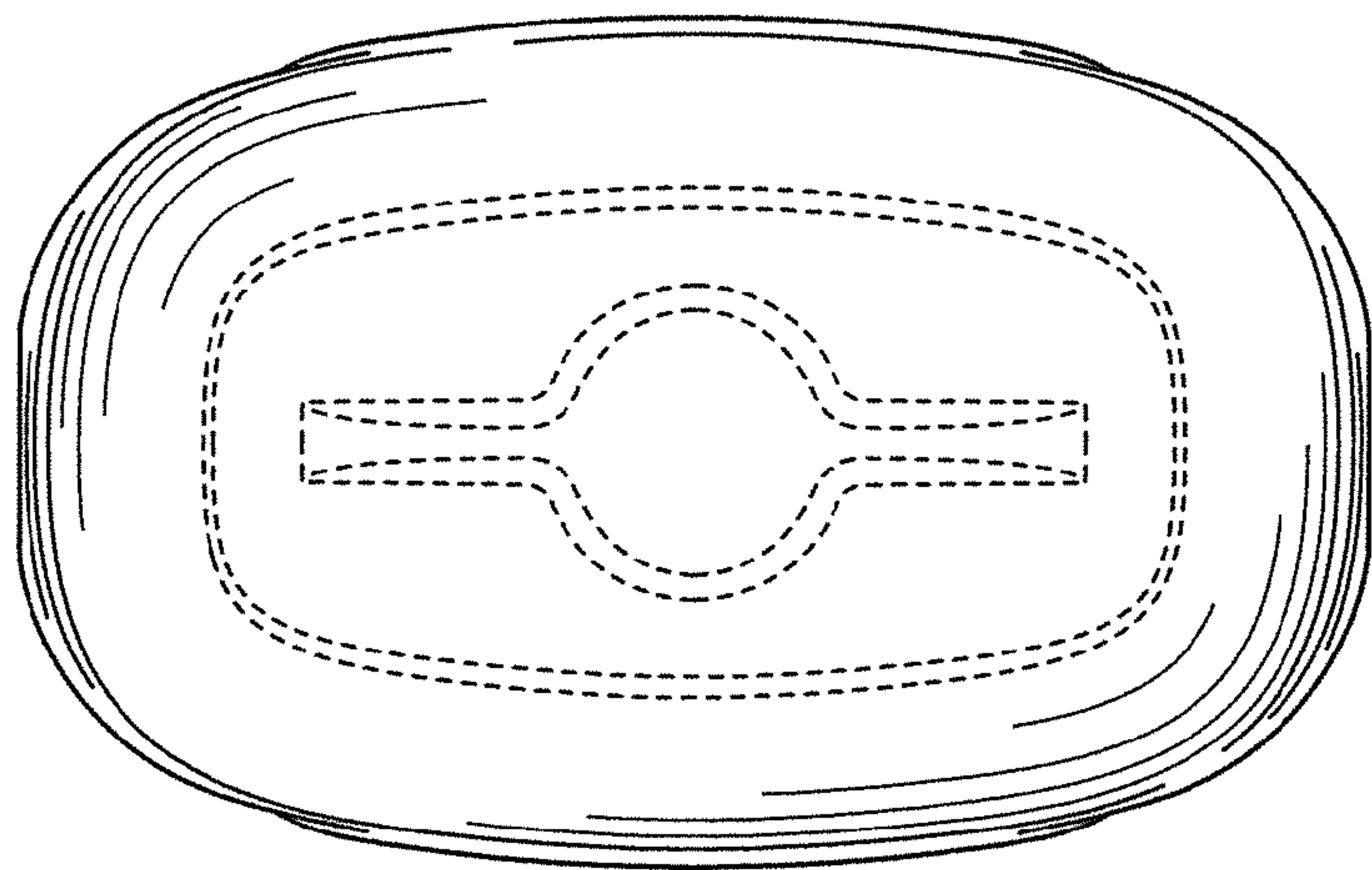


FIG. 5

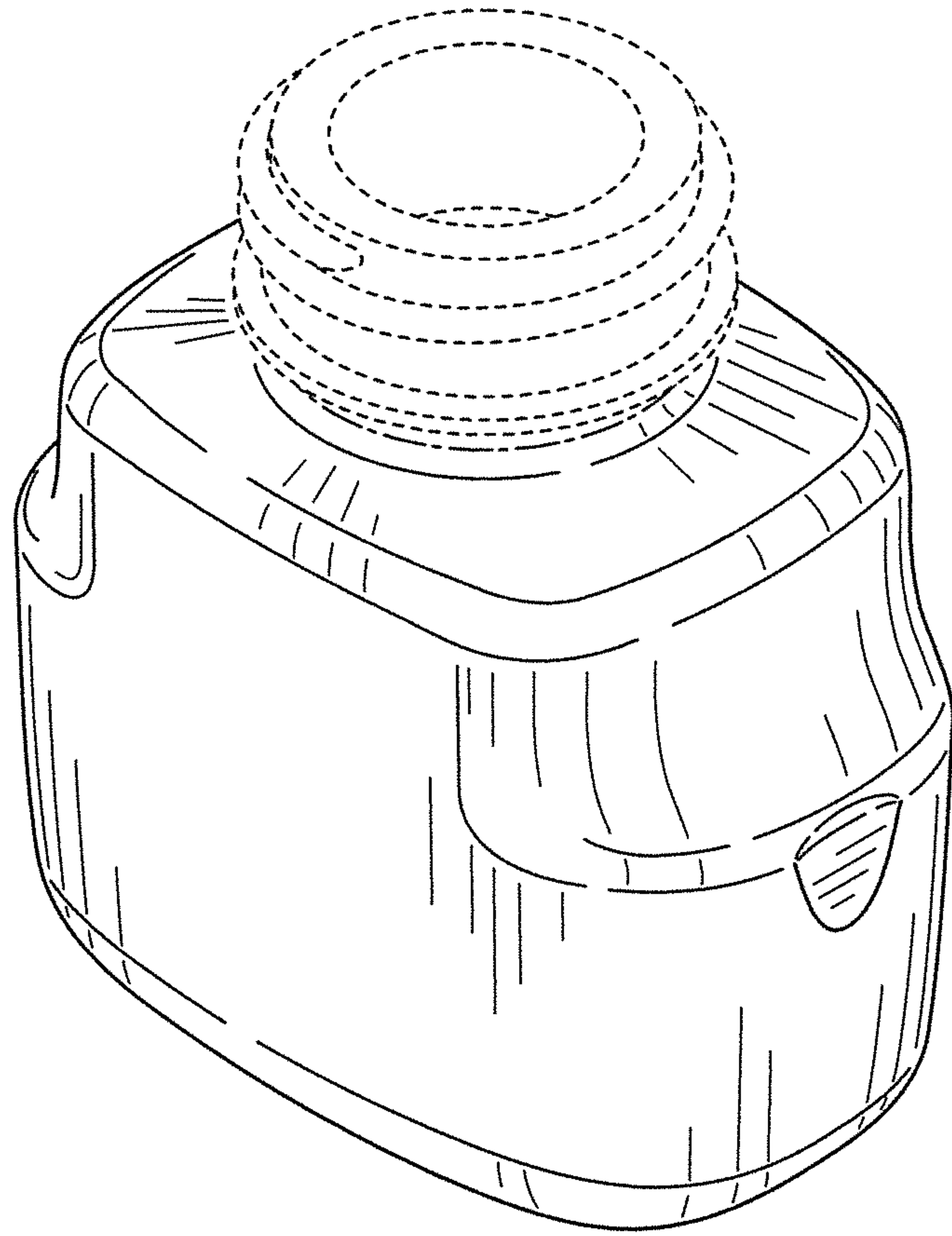


FIG. 6

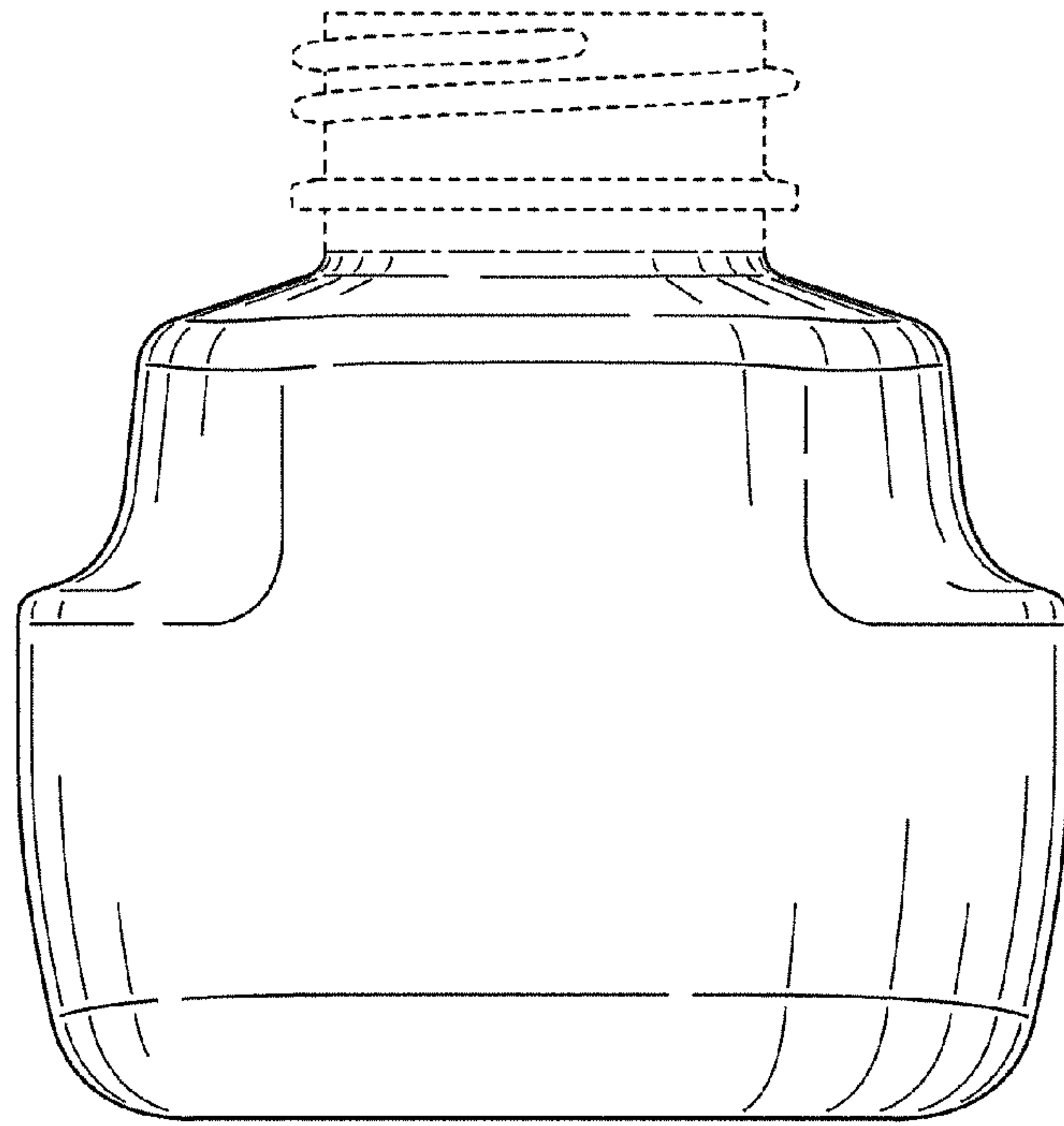


FIG. 7

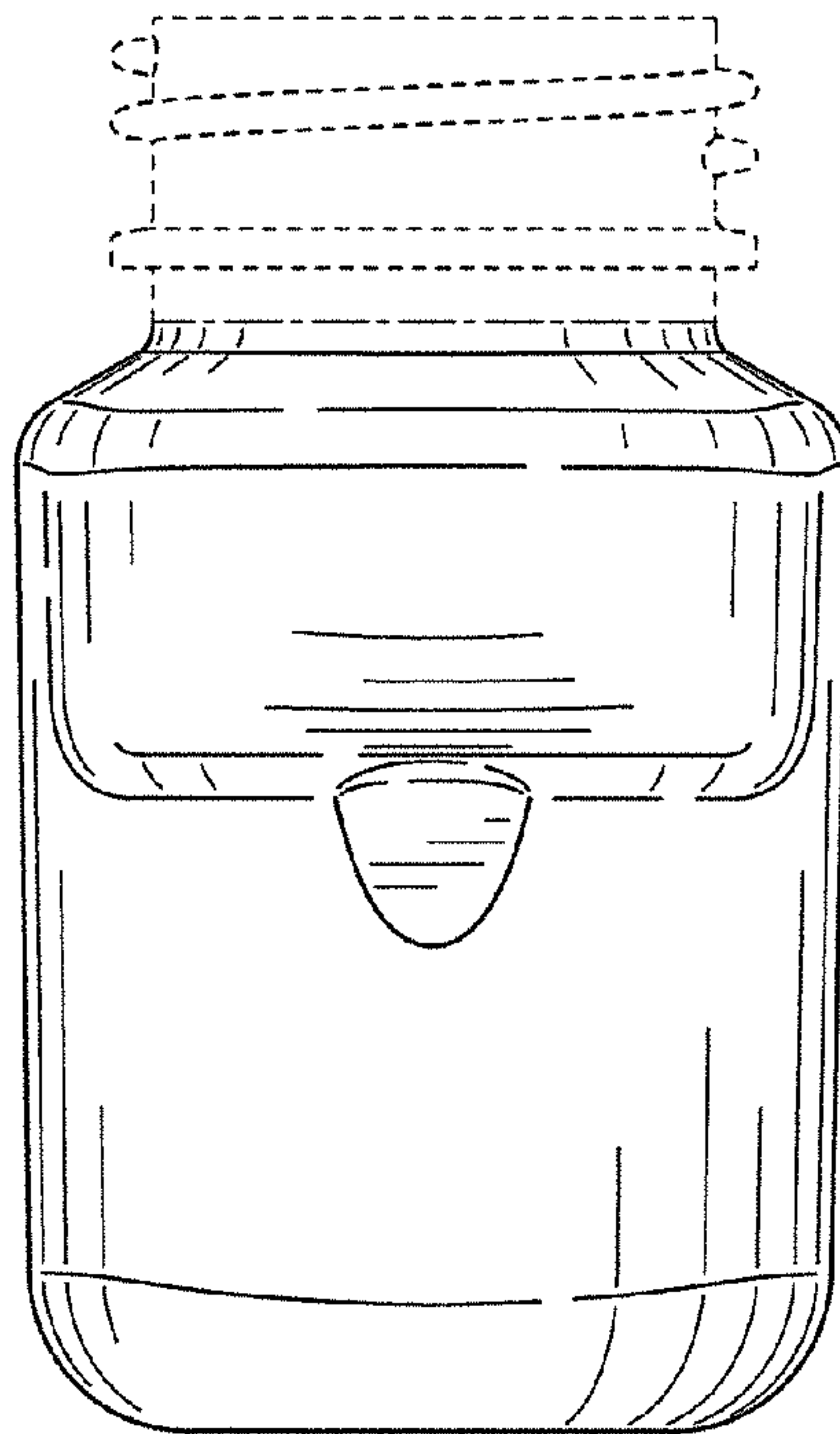


FIG. 8

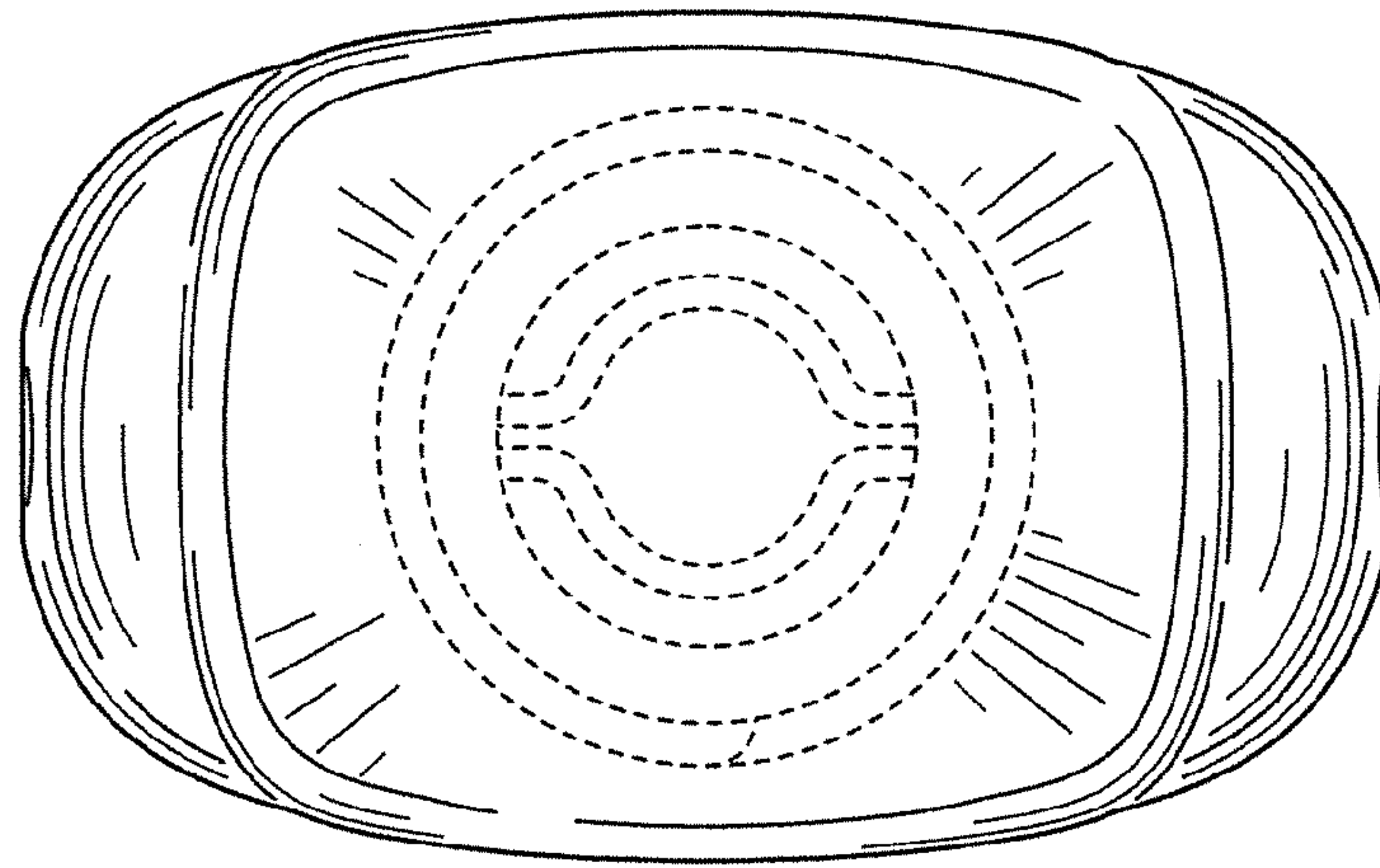


FIG. 9

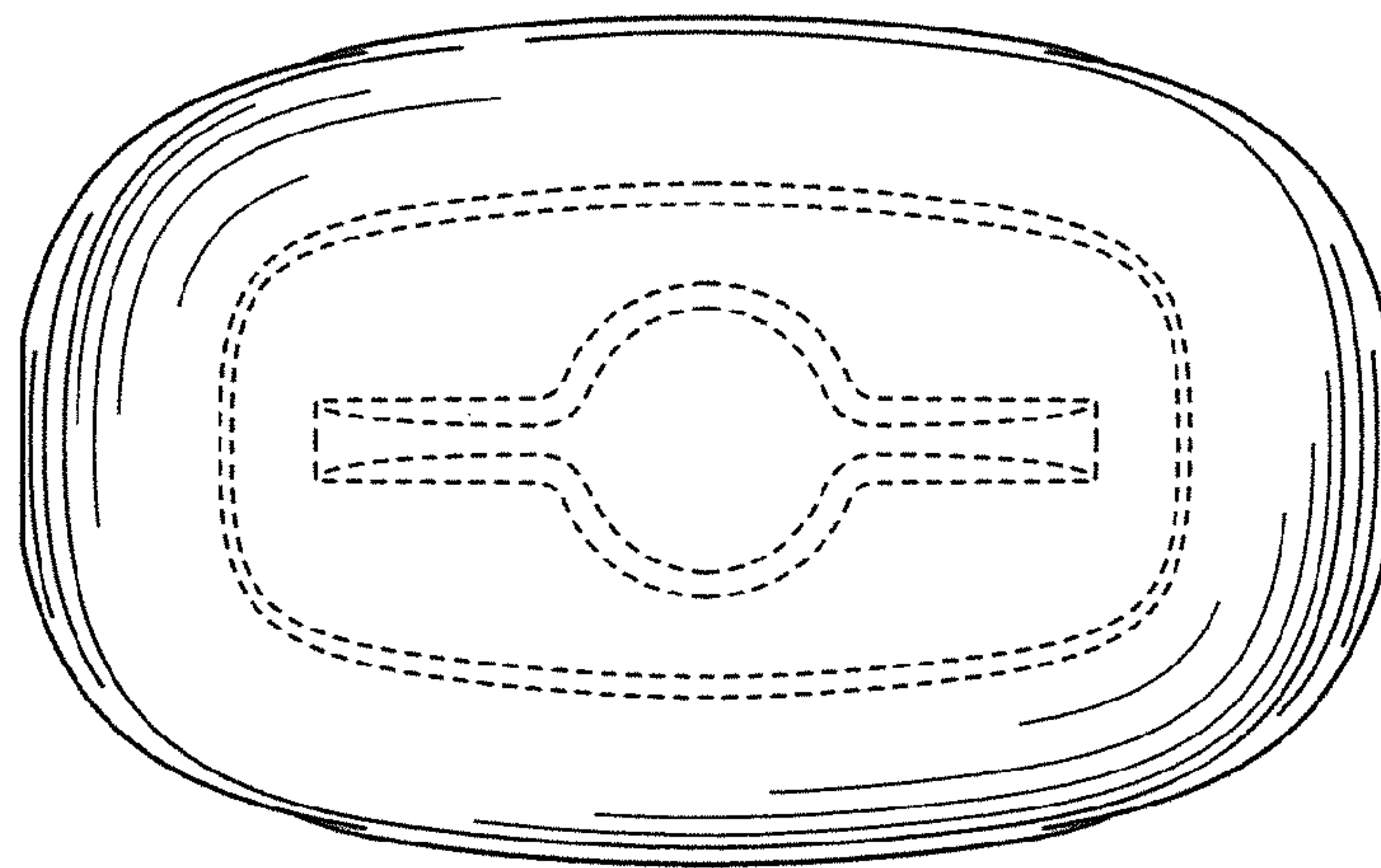


FIG. 10