



US00D723372S

(12) **United States Design Patent**
Lecetre et al.

(10) **Patent No.:** **US D723,372 S**
(45) **Date of Patent:** **** Mar. 3, 2015**

(54) **CONTAINER**

(75) Inventors: **Catherine Lecetre**, Feuquieres (FR);
Thierry Bernard, La Havre (FR)

(73) Assignee: **Saverglass, Inc.**, Ramsey, NJ (US)

(**) Term: **14 Years**

(21) Appl. No.: **29/418,158**

(22) Filed: **Apr. 12, 2012**

(30) **Foreign Application Priority Data**

Jan. 31, 2012 (EM) 001984097-0001

(51) **LOC (10) Cl.** **09-01**

(52) **U.S. Cl.**
USPC **D9/516; D9/574**

(58) **Field of Classification Search**
USPC D9/516, 500, 503-505, 520, 522, 529,
D9/542, 544, 546, 558, 560, 571, 573-574,
D9/687, 689, 691, 694; 215/379, 381-382;
220/660, 662, 665, 669

See application file for complete search history.

(56) **References Cited**

U.S. PATENT DOCUMENTS

D9,703 S	1/1877	Francis et al.	
D41,559 S	7/1911	Marsters	
D79,944 S	11/1929	Teague	
D82,881 S	12/1930	Fuerst	
D84,593 S	7/1931	Piazzoli	
D91,366 S	1/1934	Piazzoli	
D100,424 S	7/1936	Guerlain	
D158,366 S	5/1950	Fantel	
D202,383 S	9/1965	Du Pree	
D217,659 S *	5/1970	Dinand D9/574
D268,988 S	5/1983	Hirsh	
D325,523 S	4/1992	Restrepo	
D331,367 S	12/1992	Armstrong	

D343,580 S	1/1994	Reynaud D9/560
D345,698 S	4/1994	Gobe D9/571
D352,906 S	11/1994	Gobe	
D365,991 S	1/1996	Varlet	
D411,749 S	6/1999	Nahum-Albright	

(Continued)

FOREIGN PATENT DOCUMENTS

CA	98826	8/2003
EM	000426523-0001	1/2006

(Continued)

OTHER PUBLICATIONS

www.momastore.com, Houseware Tools.

(Continued)

Primary Examiner — Wan Laymon

(74) *Attorney, Agent, or Firm* — Andrews Kurth LLP

(57) **CLAIM**

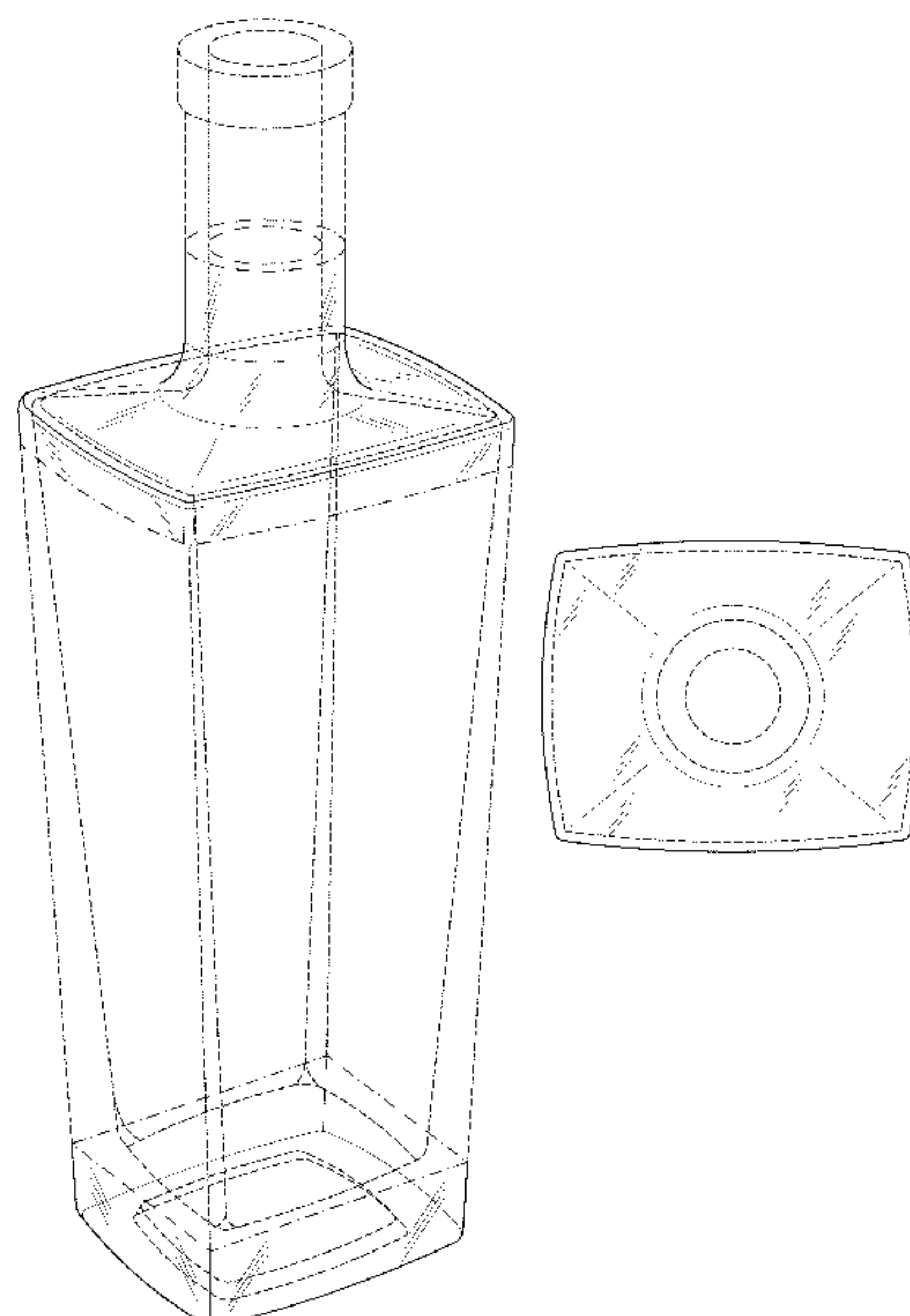
The ornamental design of the container, as shown and described.

DESCRIPTION

FIG. 1 is a perspective view of a container according to the present disclosure showing our new design; FIG. 2 is a front view of the container of FIG. 1; FIG. 3 is side view of the container of FIG. 1; FIG. 4 is a top view of the container of FIG. 1; and, FIG. 5 is a bottom view of the container of FIG. 1.

The dashed-dot-dashed lines define the boundary lines of the claimed design. The broken lines shown in the figures are included for the purpose of illustrating portions of the container, and form no part of the claimed design. In addition, the portions of the container that are not shown in the drawing do not form any part of the claimed design.

1 Claim, 3 Drawing Sheets



(56)

References Cited

U.S. PATENT DOCUMENTS

D416,807 S	11/1999	Varlet	
D426,466 S	6/2000	Nevins et al.	
D432,922 S	10/2000	Gose	D9/571
D450,597 S	11/2001	Bobchenok et al.	D9/571
D459,660 S	7/2002	Burger	
D484,419 S	12/2003	Potocki et al.	
D486,072 S	2/2004	Potocki et al.	
D499,338 S	12/2004	Mulder et al.	
D512,920 S	12/2005	Kim	
D515,940 S	2/2006	Kratko	
D522,872 S	6/2006	Lescaux	
D526,206 S	8/2006	Varlet	
D530,211 S	10/2006	Lloyd	
D530,212 S	10/2006	Darr et al.	
D531,911 S	11/2006	Lloyd	
D547,661 S	7/2007	Blasko et al.	
D548,095 S	8/2007	McGuinness	
D573,882 S *	7/2008	Toh	D9/516
D580,773 S *	11/2008	Rica	D9/574
D581,800 S *	12/2008	Rica	D9/544
D584,632 S *	1/2009	Lloyd et al.	D9/546
D622,602 S *	8/2010	Potts	D9/544
D626,423 S *	11/2010	Lauret	D9/574

FOREIGN PATENT DOCUMENTS

EM	000439401-0002	1/2006
EM	000440573-0001	1/2006
FI	22938	11/2002
FI	23369	8/2003
FI	23643	7/2004
GB	2014990	1/1992
GB	2070378	9/1997
GB	2104309	3/2001
GB	3021474	6/2005

WO	DM049661	10/1999
WO	DM/055635	5/2000
WO	DM057111	4/2001
WO	DM/060105	5/2002
WO	DM063101	3/2003
WO	DM064332	5/2003
WO	DM/065332	10/2003
WO	DM/065406	5/2004
WO	DM/065442	6/2004

OTHER PUBLICATIONS

www.tias.com, Wonderful Tapered Perfume Flask.
 Office Action dated Jun. 7, 2007 issued for U.S. Appl. No. 29/250,156.
 "Toilets: CH-39", Class Contaniers, Owens-Illinois Glass Co., OH, rec'd 1931, p. CH 18, D9, PTO design Library.
 "X Panels", Whitall Tatum Co.—Price List, Factories: Millville, NJ, © 1908, p. 18, D9 PTO Design Library.
 "Relish/Chow: C-433", Glass Containers, Owens-Illinois Class Co., OH, rec'd 1931, p. F64, D9, PTO design Library.
 Office Action mailed Jul. 10, 2007 for U.S. Appl. No. 29/250,156.
 Office Action dated Jul. 12, 2007 for U.S. Appl. No. 29/223,271, filed Feb. 14, 2005.
 Office Action dated Sep. 14, 2007 for U.S. Appl. No. 29/250,156, filed Nov. 3, 2006.
 Bormioli Rocco Catalogue, pp. 54, 55, Back Cover, date listed on document as 2003.
 Bormioli Rocco Catalogue, Pages: Front Cover, 80, 81, Back Cover, date listed on document.
 Documents Related to a Vetri Speciali Bottle (Vecchia Era) Alleged by a Third Party to have been created and sold prior to Applicant's Filing Date (Portions of Documents have been redacted, 10 pages.
 Declaration in French and Italian languages Prepared by Third Party corresponding to alleged manufacturing of the Vecchia Era bottle (Portions of Documents have been redacted), 2 pages.

* cited by examiner

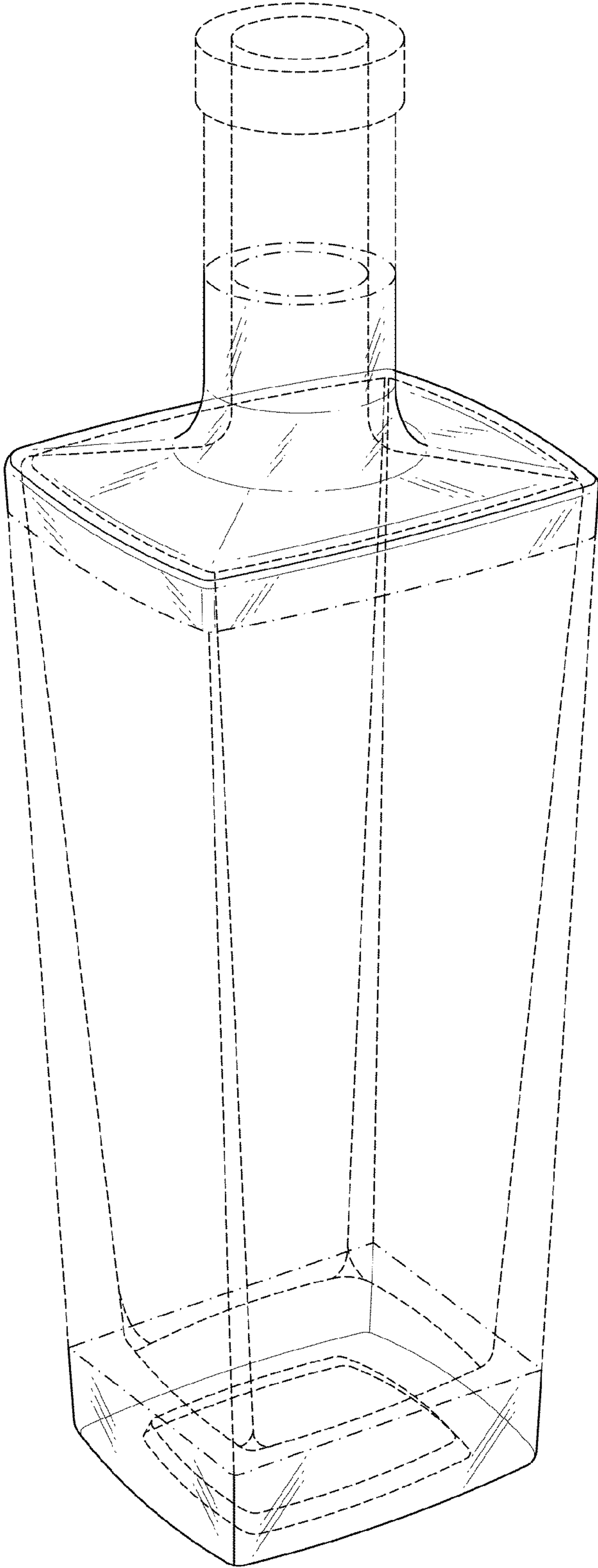


FIG. 1

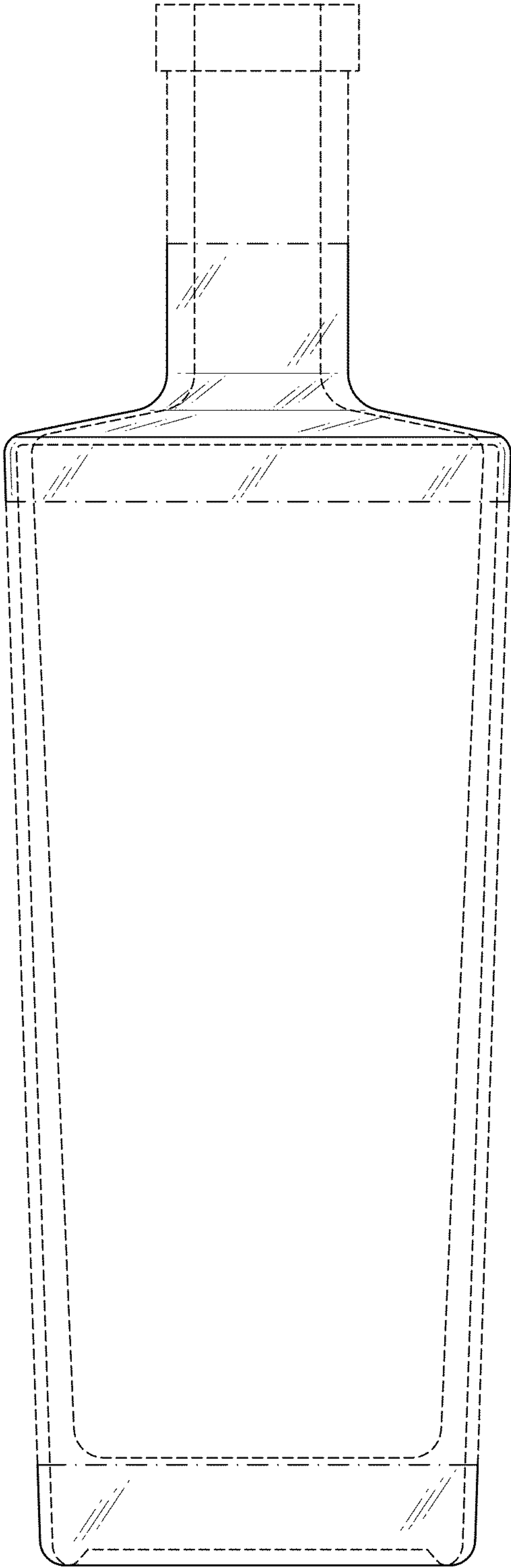


FIG. 2

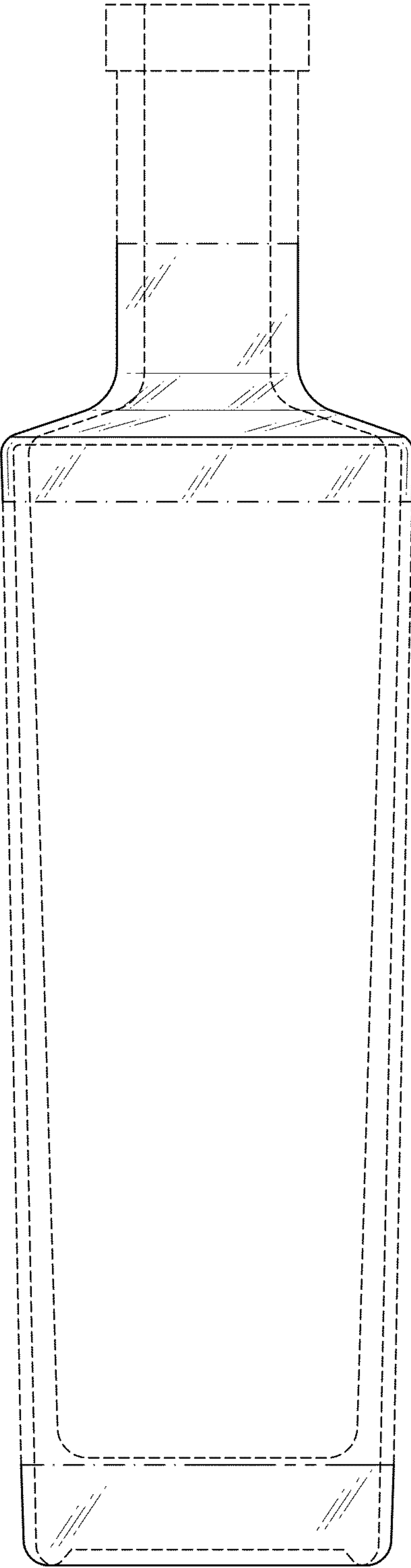


FIG. 3

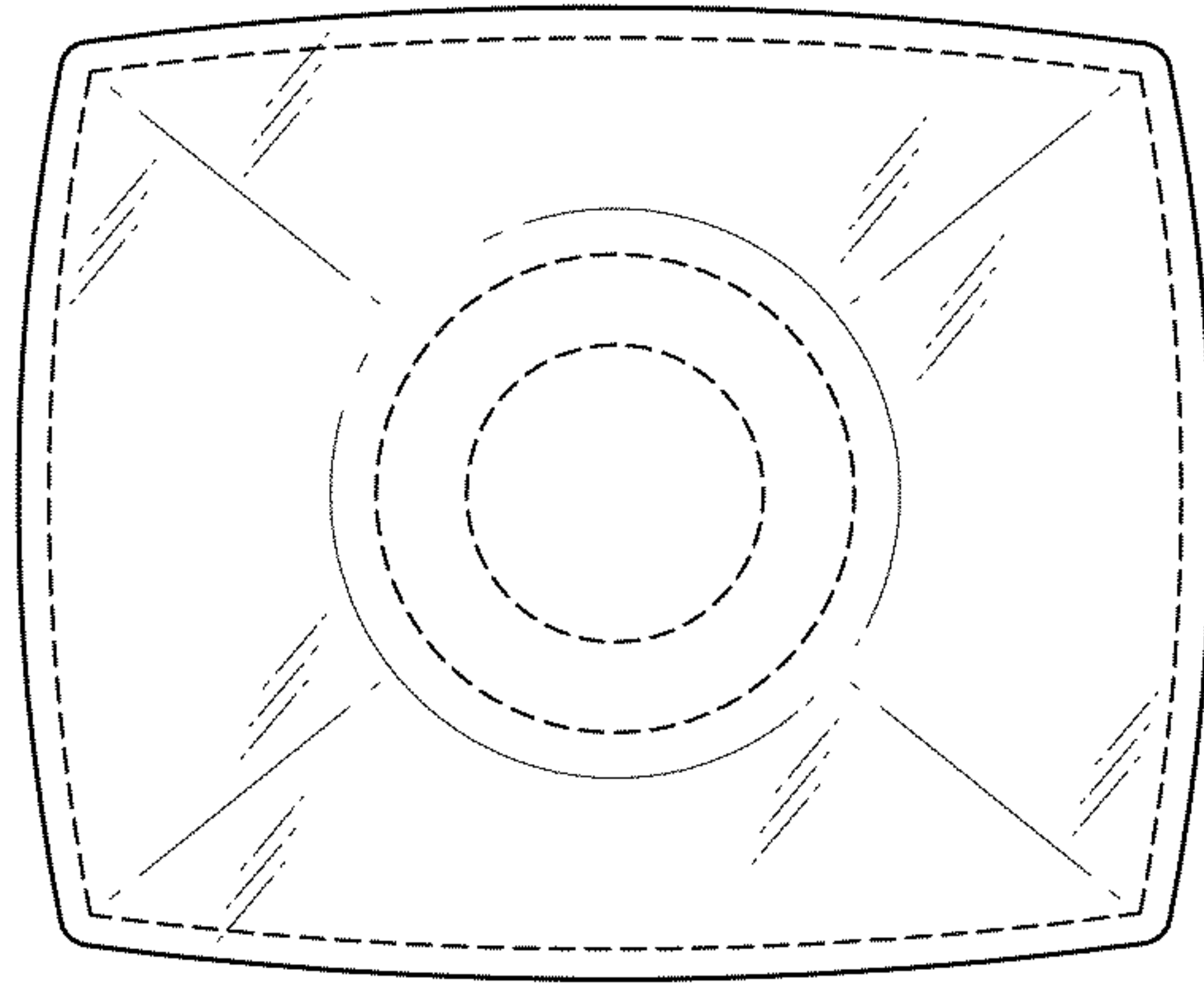


FIG. 4

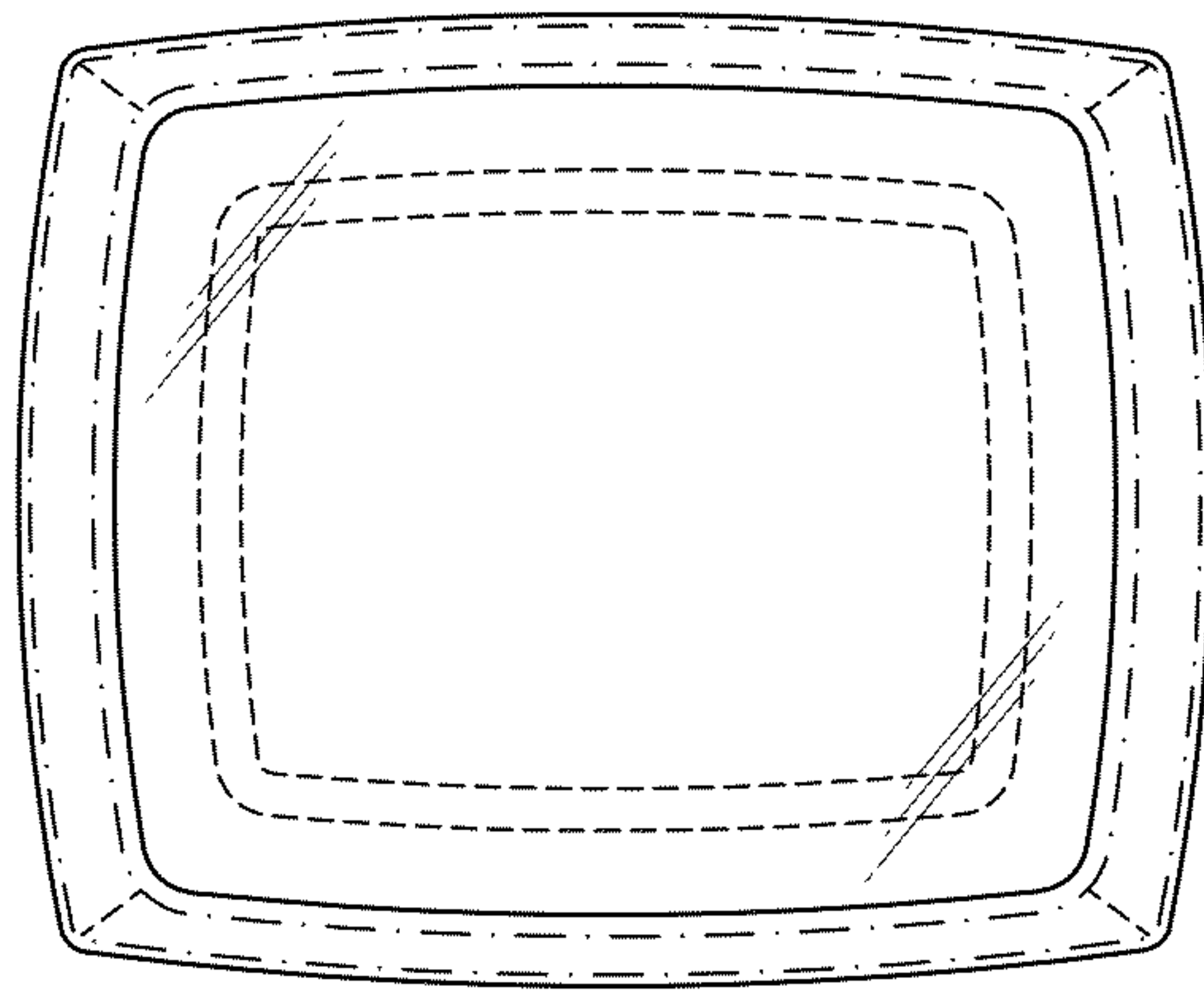


FIG. 5