



US00D723370S

(12) **United States Design Patent**
Medlin

(10) **Patent No.:** **US D723,370 S**
(45) **Date of Patent:** **** Mar. 3, 2015**

(54) **SCREW CAP FOR A JAR**

(56) **References Cited**

(71) Applicant: **Visy R & D Pty. Ltd.**, Southbank (AU)

U.S. PATENT DOCUMENTS

(72) Inventor: **Brett Medlin**, Southbank (AU)

D19,835 S * 5/1890 Hahn D9/454

(73) Assignee: **Visy R & D Pty Ltd**, Southbank, VIC (AU)

1,440,987 A * 1/1923 Hammer 215/329

(**) Term: **14 Years**

D324,976 S * 3/1992 Katz D7/619.1

(21) Appl. No.: **29/459,982**

D367,408 S * 2/1996 Fordyce D7/703

(22) Filed: **Jul. 5, 2013**

D437,228 S * 2/2001 Collins D9/453

(30) **Foreign Application Priority Data**

D671,834 S * 12/2012 Chasteen et al. D9/453

Jan. 7, 2013 (AU) 201310113

D681,465 S * 5/2013 Cox et al. D9/453

(51) **LOC (10) Cl.** **09-07**

2002/0134747 A1 * 9/2002 Babcock et al. 215/252

(52) **U.S. Cl.**

2004/0040928 A1 * 3/2004 Noonan 215/252

USPC **D9/453**

2007/0034590 A1 * 2/2007 Hidding 215/252

(58) **Field of Classification Search**

USPC D7/300, 330.1, 392.1, 396.2, 510, 511,
D7/531, 703; D9/434, 435, 436, 438,
D9/440-445, 447, 449; 215/200, 235, 236,
215/252, 254, 329, 355-364;
220/203.04-203.07, 254.1, 254.4, 556,
220/703, 704, 705

See application file for complete search history.

* cited by examiner

Primary Examiner — Robert M Spear
Assistant Examiner — Darcey E Helfin

(74) *Attorney, Agent, or Firm* — Conley Rose, P.C.; Jerry C. Harris, Jr.

(57) **CLAIM**

Applicant claims the ornamental design for a screw cap for a jar, as shown and described herein.

DESCRIPTION

FIG. 1 is a top plan view of a screw cap showing my new design;

FIG. 2 is a bottom plan view of the screw cap;

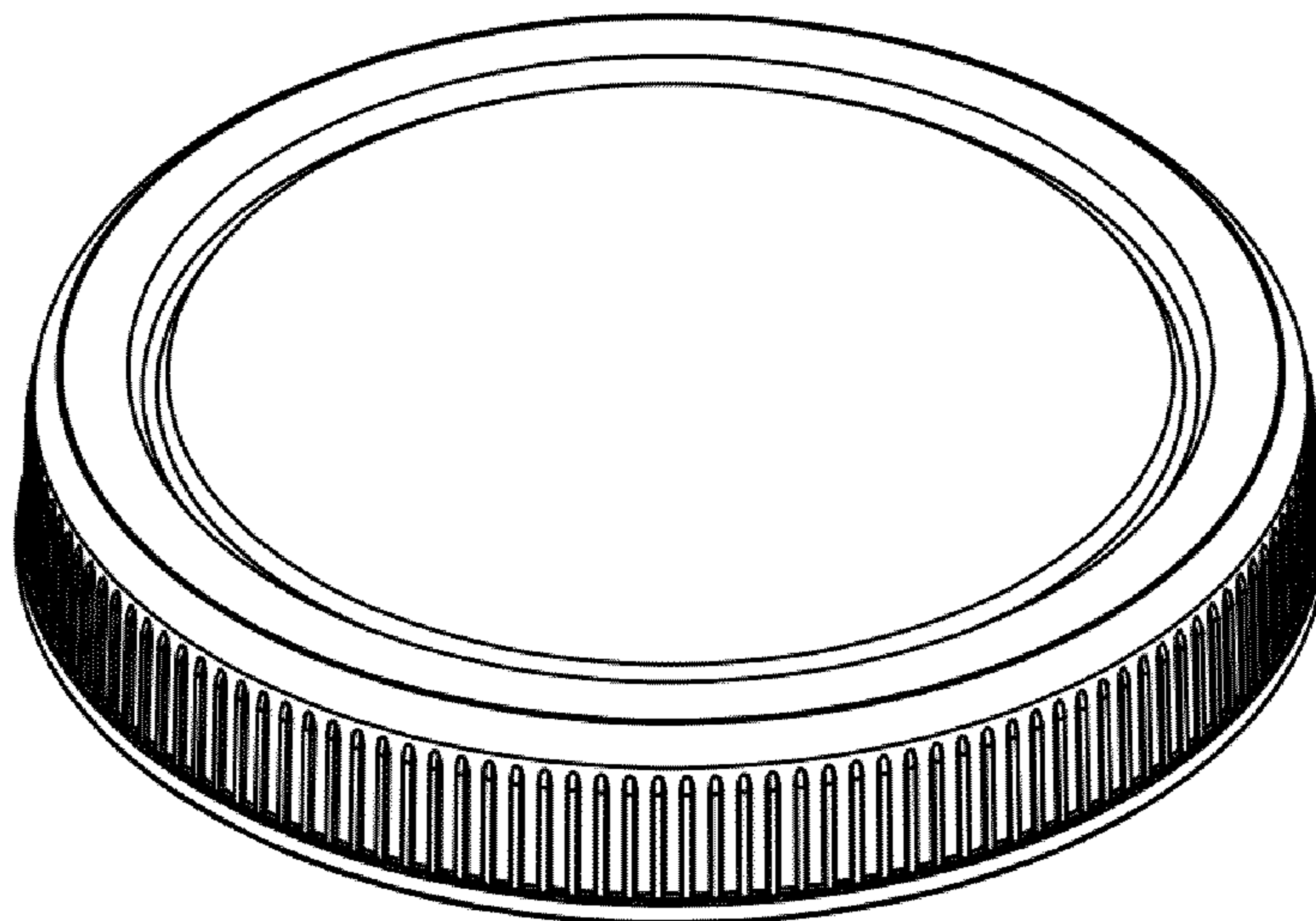
FIG. 3 is a side elevational view of the screw cap;

FIG. 4 is a cross sectional view of the screw cap, taken along line A-A of FIG. 3, with an enlarged detail view of one corner added for clarity of disclosure;

FIG. 5 is a top perspective view of the screw cap; and,

FIG. 6 is a bottom perspective view of the screw cap.

1 Claim, 3 Drawing Sheets



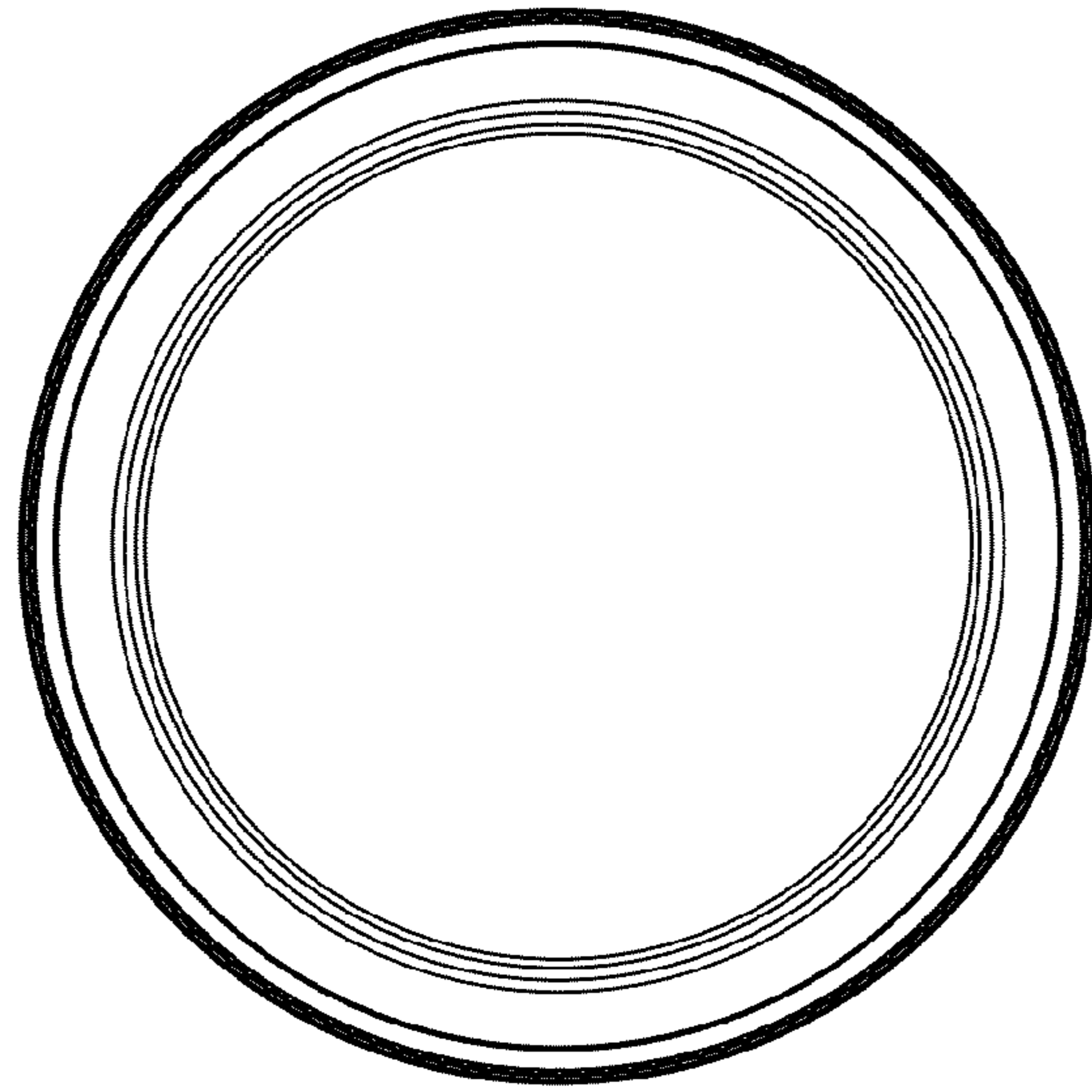


Figure 1

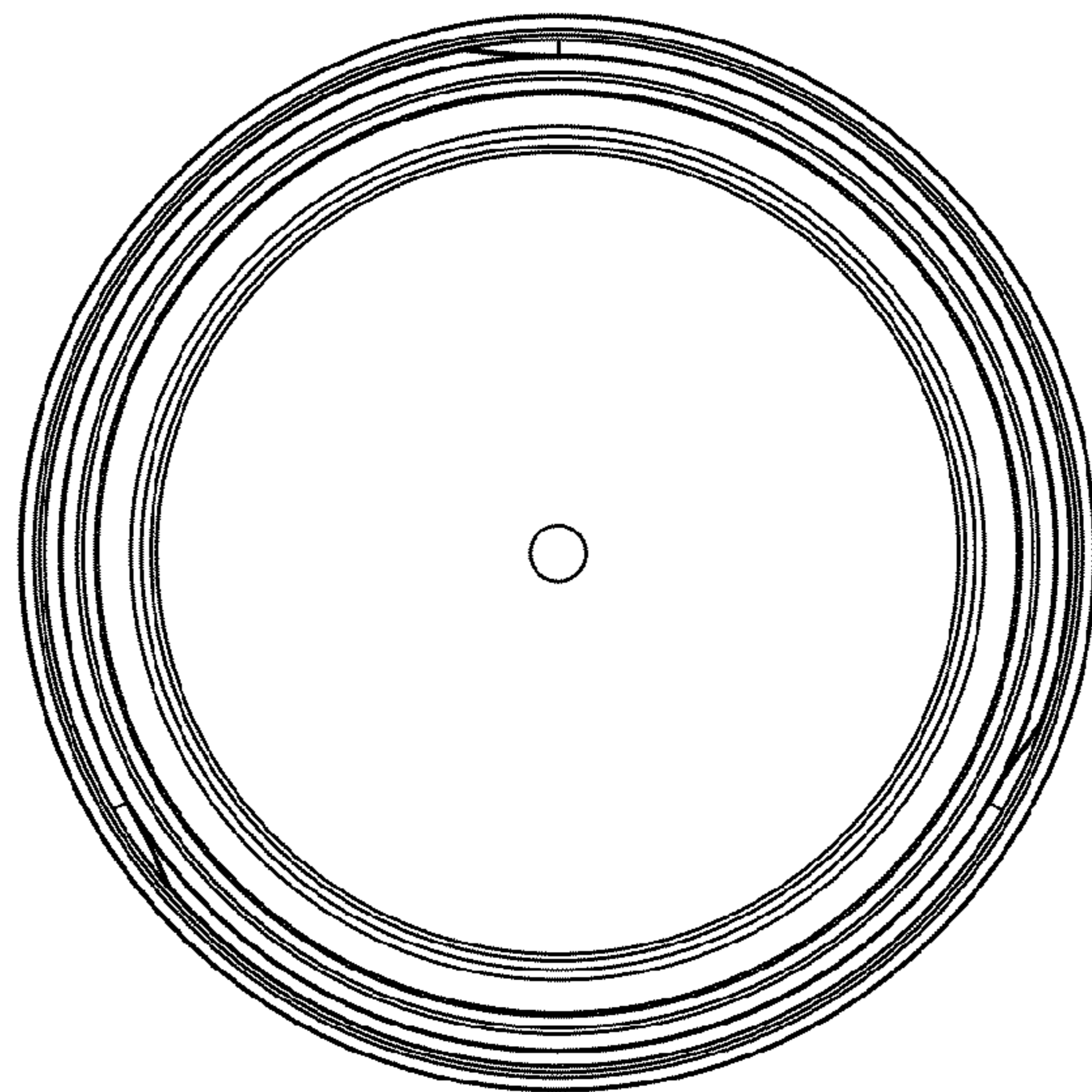


Figure 2

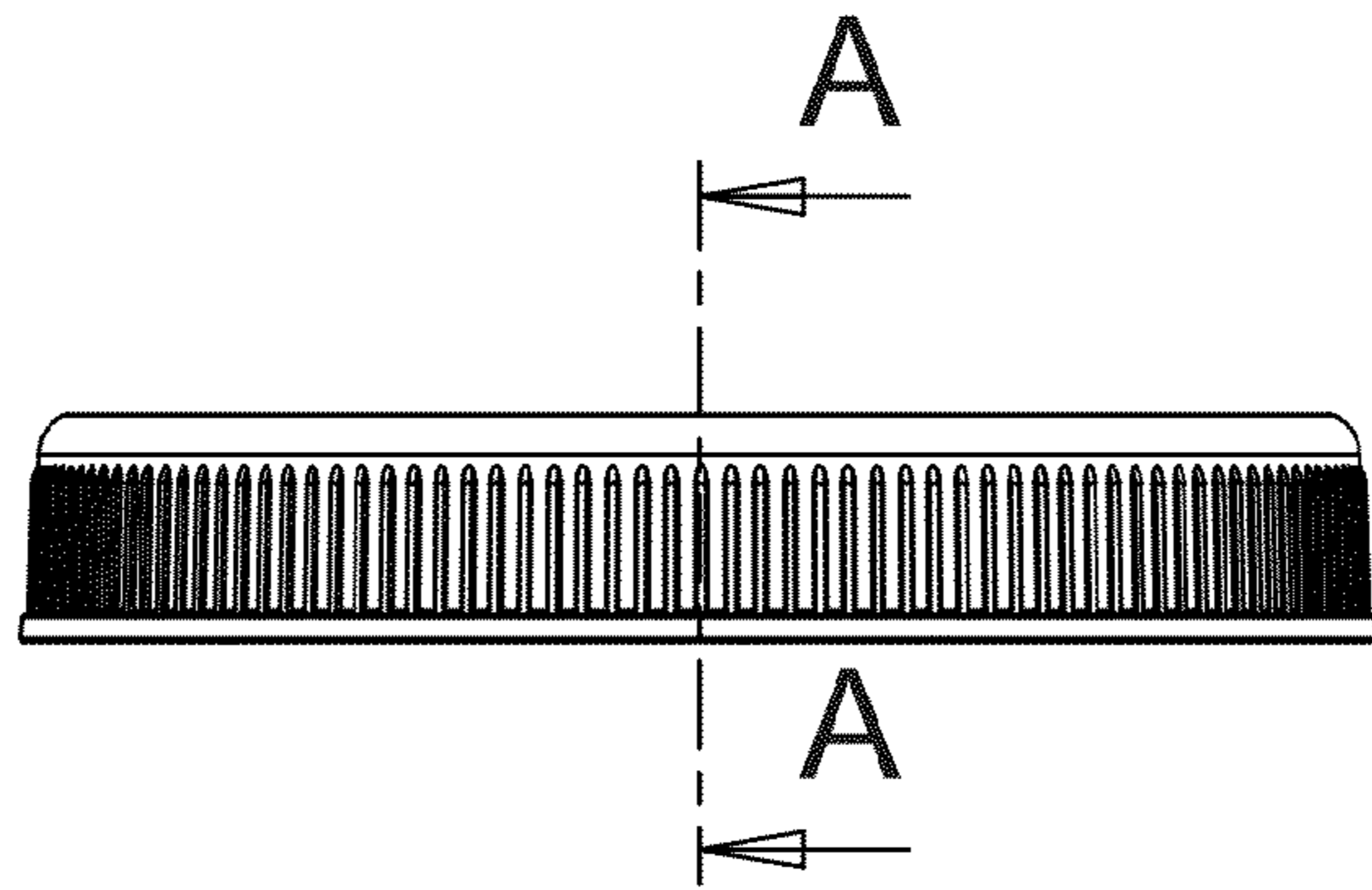


Figure 3

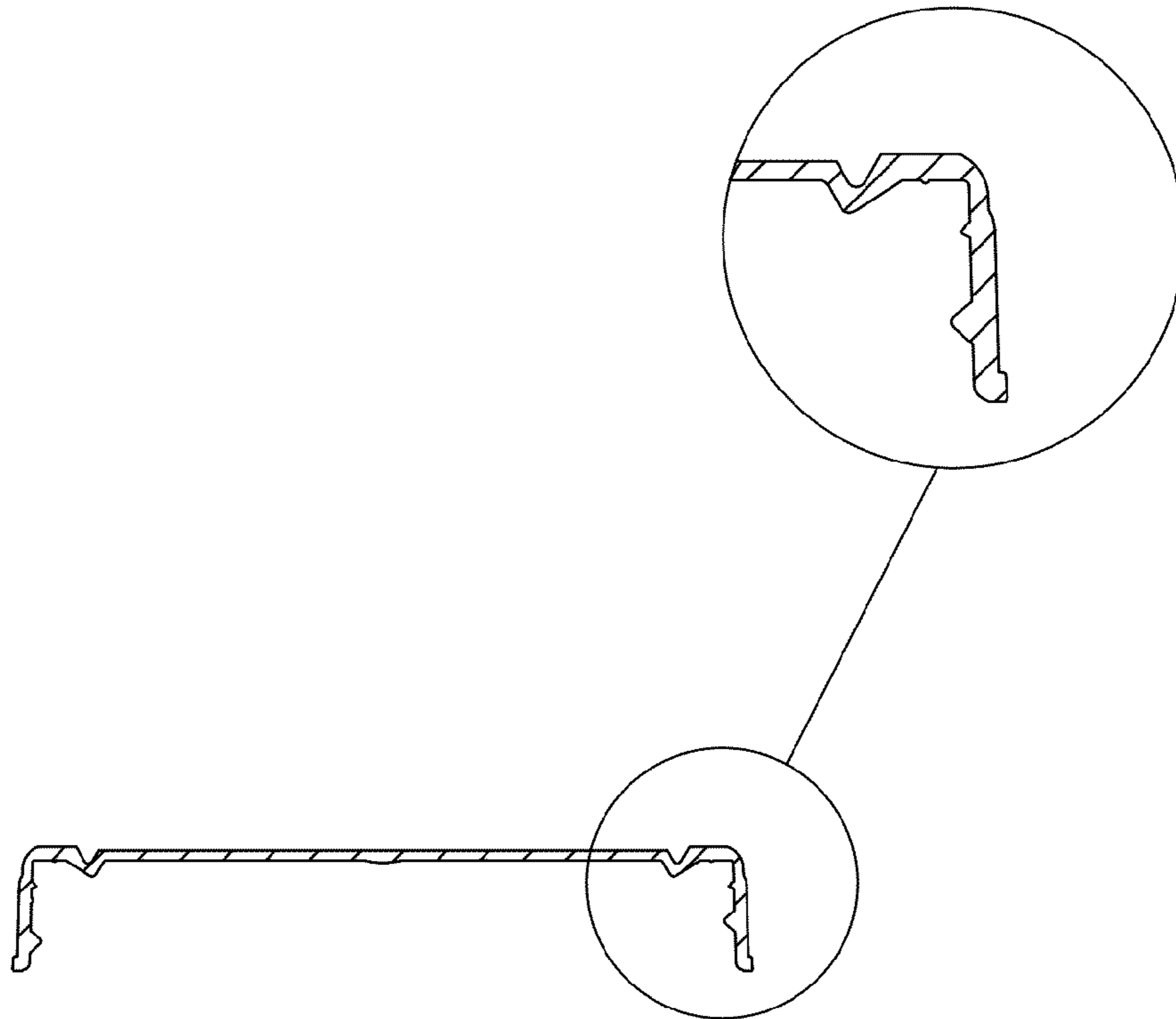


Figure 4

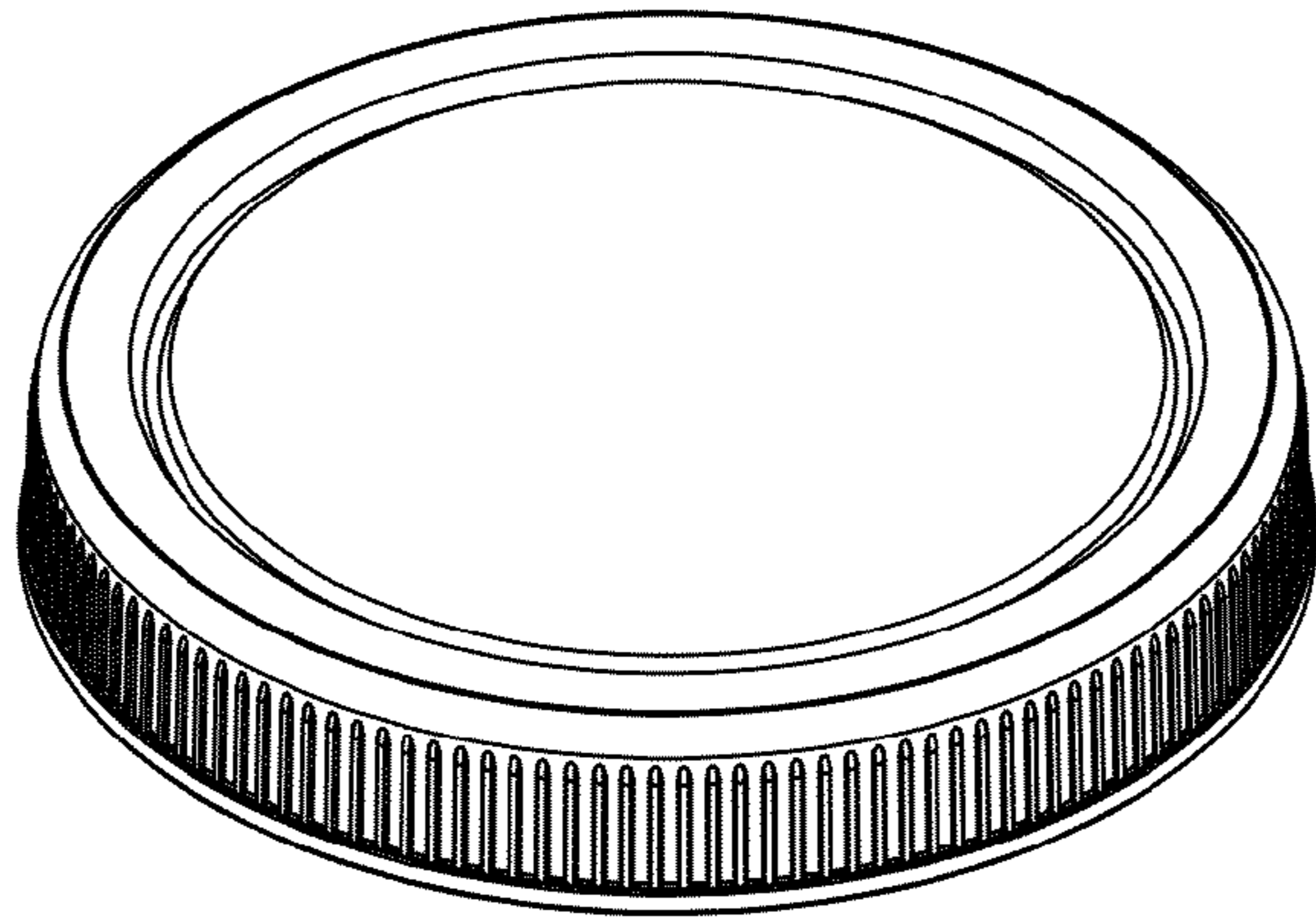


Figure 5

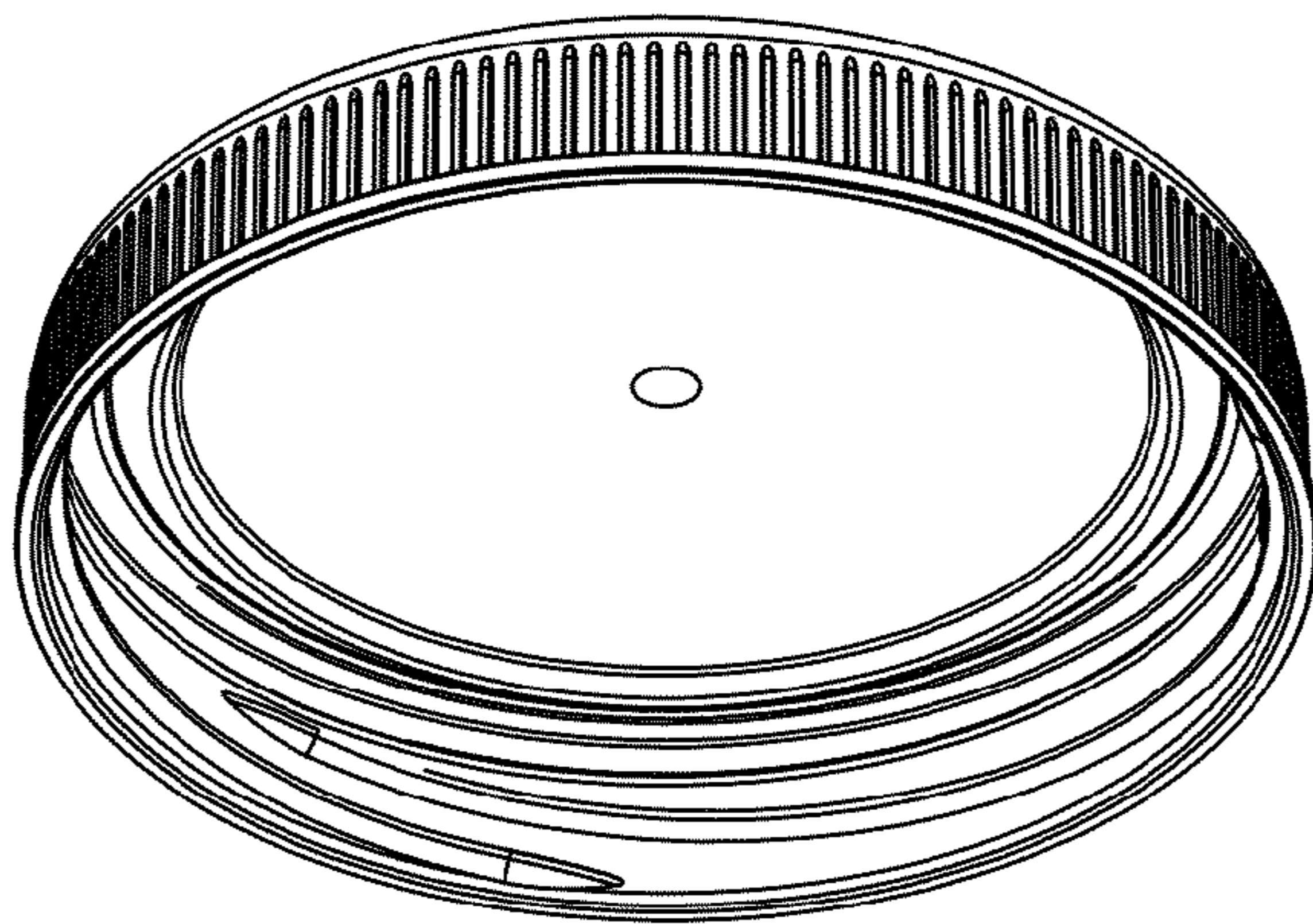


Figure 6