

US00D723369S

(12) **United States Design Patent**  
**Dash**

(10) **Patent No.:** **US D723,369 S**  
(45) **Date of Patent:** **\*\* Mar. 3, 2015**

(54) **FLEXIBLE LID**

(71) Applicant: **Deborah E. Dash**, New York, NY (US)

(72) Inventor: **Deborah E. Dash**, New York, NY (US)

(\*\*) Term: **14 Years**

(21) Appl. No.: **29/458,439**

(22) Filed: **Jun. 19, 2013**

(51) **LOC (10) Cl.** ..... **09-07**

(52) **U.S. Cl.**  
USPC ..... **D9/453**

(58) **Field of Classification Search**  
USPC ..... D7/300, 300.1, 392.1, 396.2, 510, 511,  
D7/531, 703; D9/434, 435, 436, 438,  
D9/440-445, 447, 449; 215/200, 235, 236,  
215/252, 254, 329, 355-364;  
220/203.04-203.07, 254.1, 254.4, 556,  
220/703, 704, 705

See application file for complete search history.

(56) **References Cited**

**U.S. PATENT DOCUMENTS**

D57,050 S *	2/1921	Ingram et al. ....	D9/452
D57,051 S *	2/1921	Ingram et al. ....	D9/452
D57,053 S *	2/1921	Ingram et al. ....	D9/452
D383,939 S *	9/1997	Jeppesen et al. ....	D7/392.1
D407,978 S *	4/1999	Petro .....	D9/453
D512,872 S *	12/2005	McMahon et al. ....	D7/392

D540,669 S *	4/2007	George et al. ....	D9/435
D693,685 S *	11/2013	Ramsey et al. ....	D9/453
2013/0319968 A1 *	12/2013	Edie et al. ....	215/252

\* cited by examiner

*Primary Examiner* — Robert M Spear  
*Assistant Examiner* — Darcey E Heflin  
(74) *Attorney, Agent, or Firm* — Gordon Rees Scully  
Mansukhani LLP

(57) **CLAIM**

The ornamental design for a flexible lid, substantially as shown and described.

**DESCRIPTION**

FIG. 1 is a top perspective view of a flexible lid, showing the new design.

FIG. 2 is a front plan view of the flexible lid of FIG. 1.

FIG. 3 is a back side plan view of the flexible lid of FIG. 1.

FIG. 4 is a right-side plan view of the flexible lid of FIG. 1.

FIG. 5 is a left-side plan view of the flexible lid of FIG. 1.

FIG. 6 is a top plan view of the flexible lid of FIG. 1.

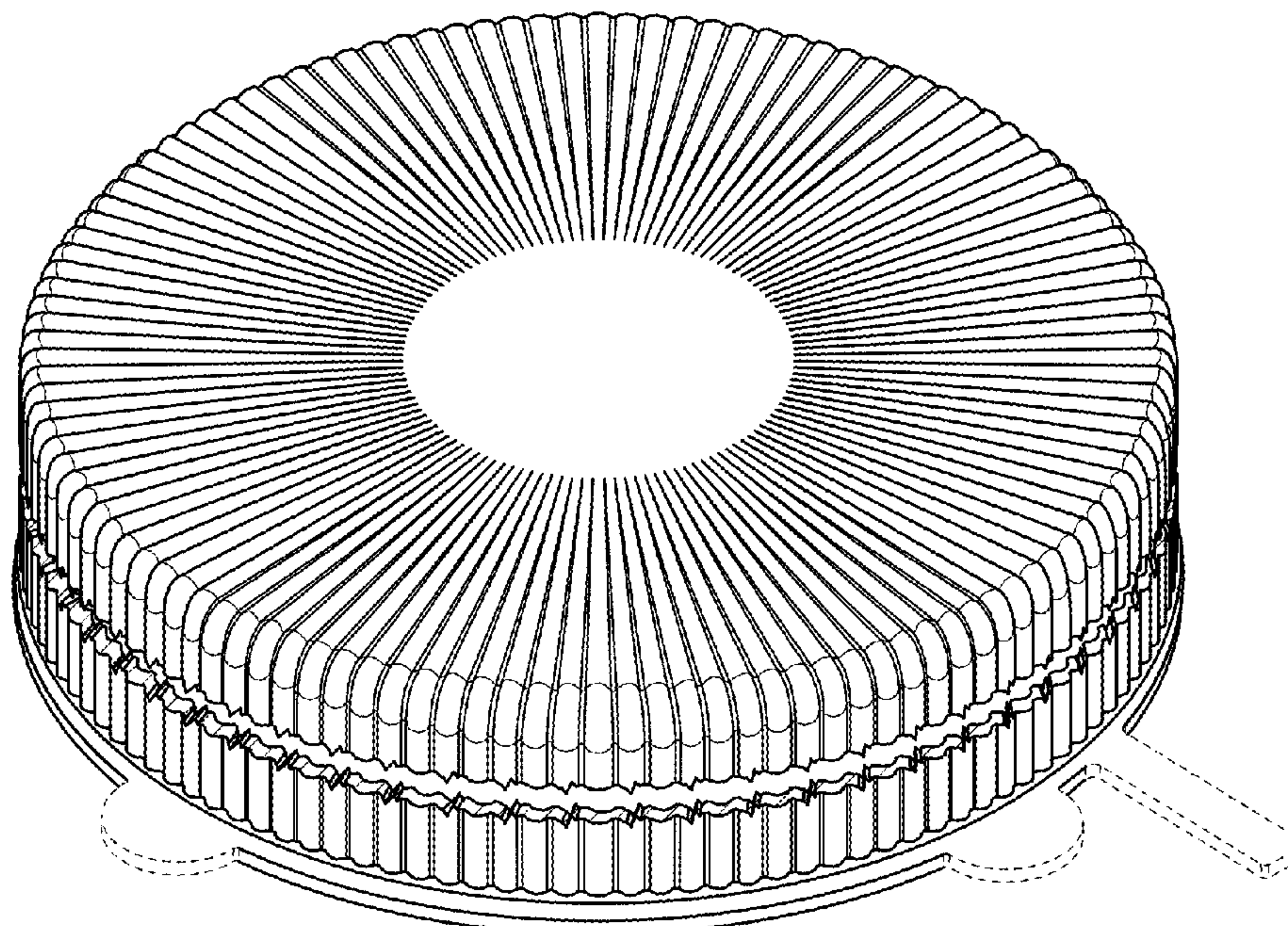
FIG. 7 is a bottom plan view of the flexible lid of FIG. 1; and,

FIG. 8 is a bottom perspective view of the flexible lid of FIG. 1.

The flexible lid is shown with a symbolic break in its height. The appearance of any portion of the article between the break lines forms no part of the claimed design.

The broken lines shown in the drawings represent unclaimed environment and are for illustrative purposes only, forming no part of the claimed design.

**1 Claim, 6 Drawing Sheets**



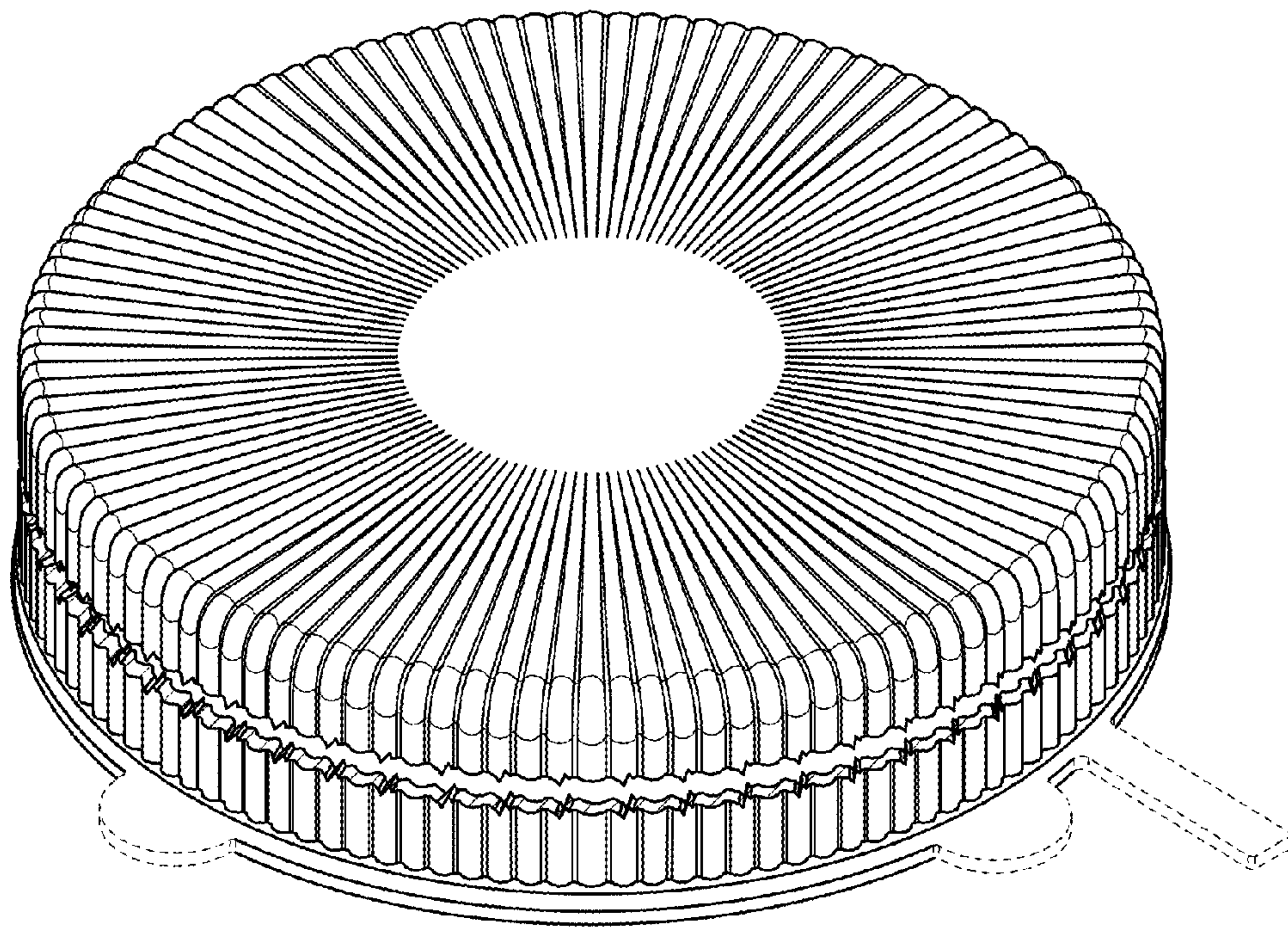


FIG. 1



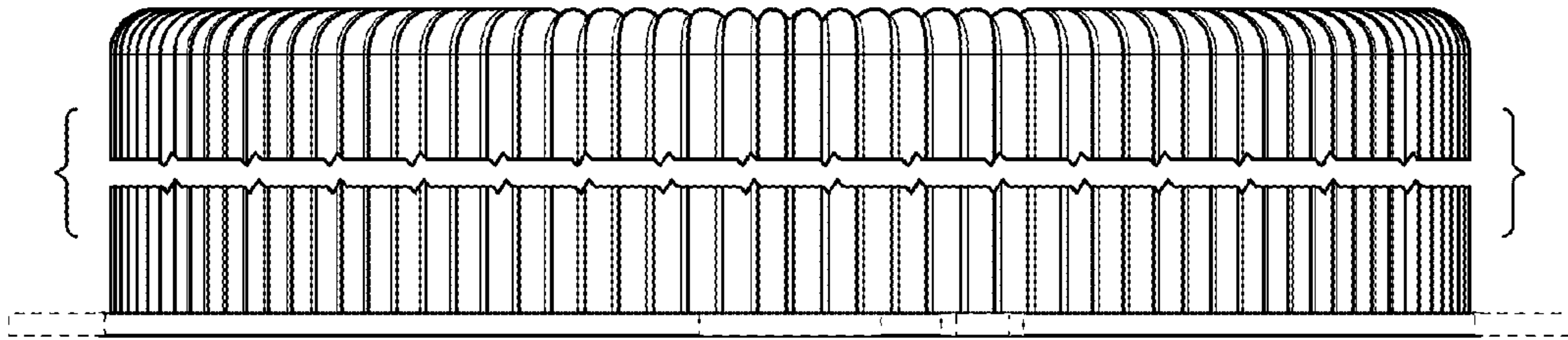


FIG. 2

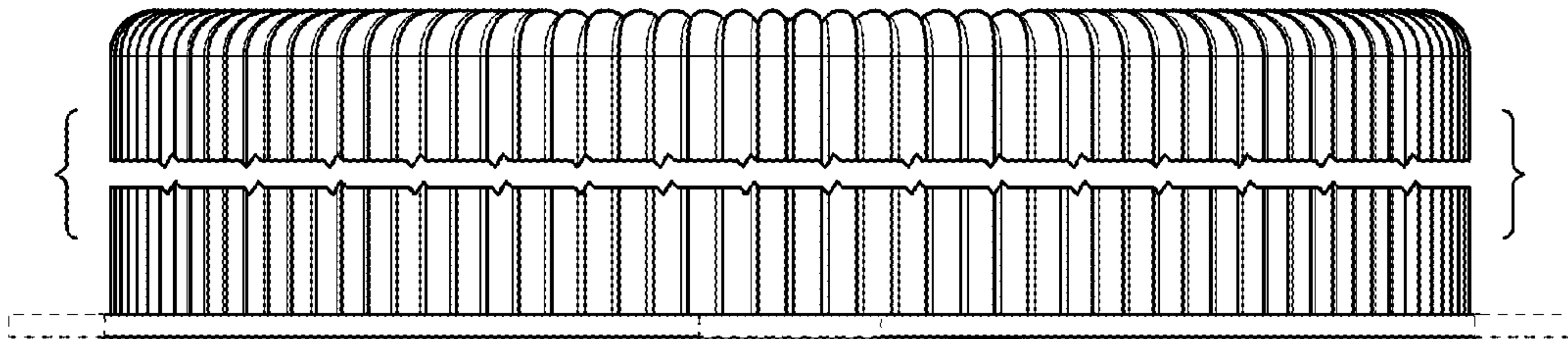


FIG. 3

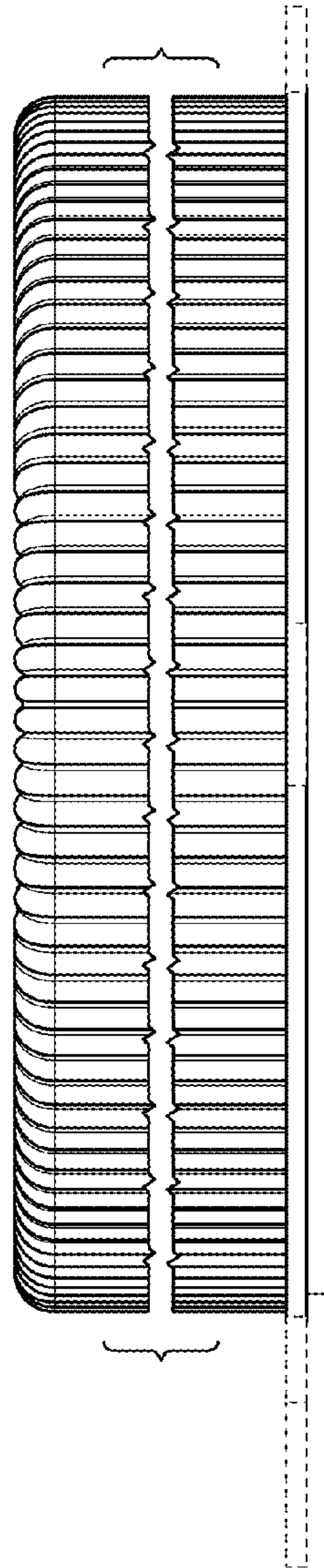


FIG. 4

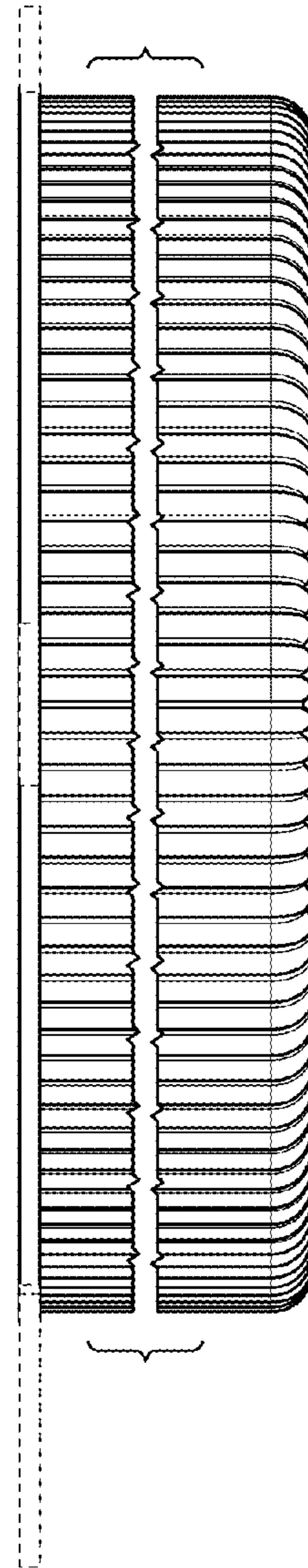


FIG. 5

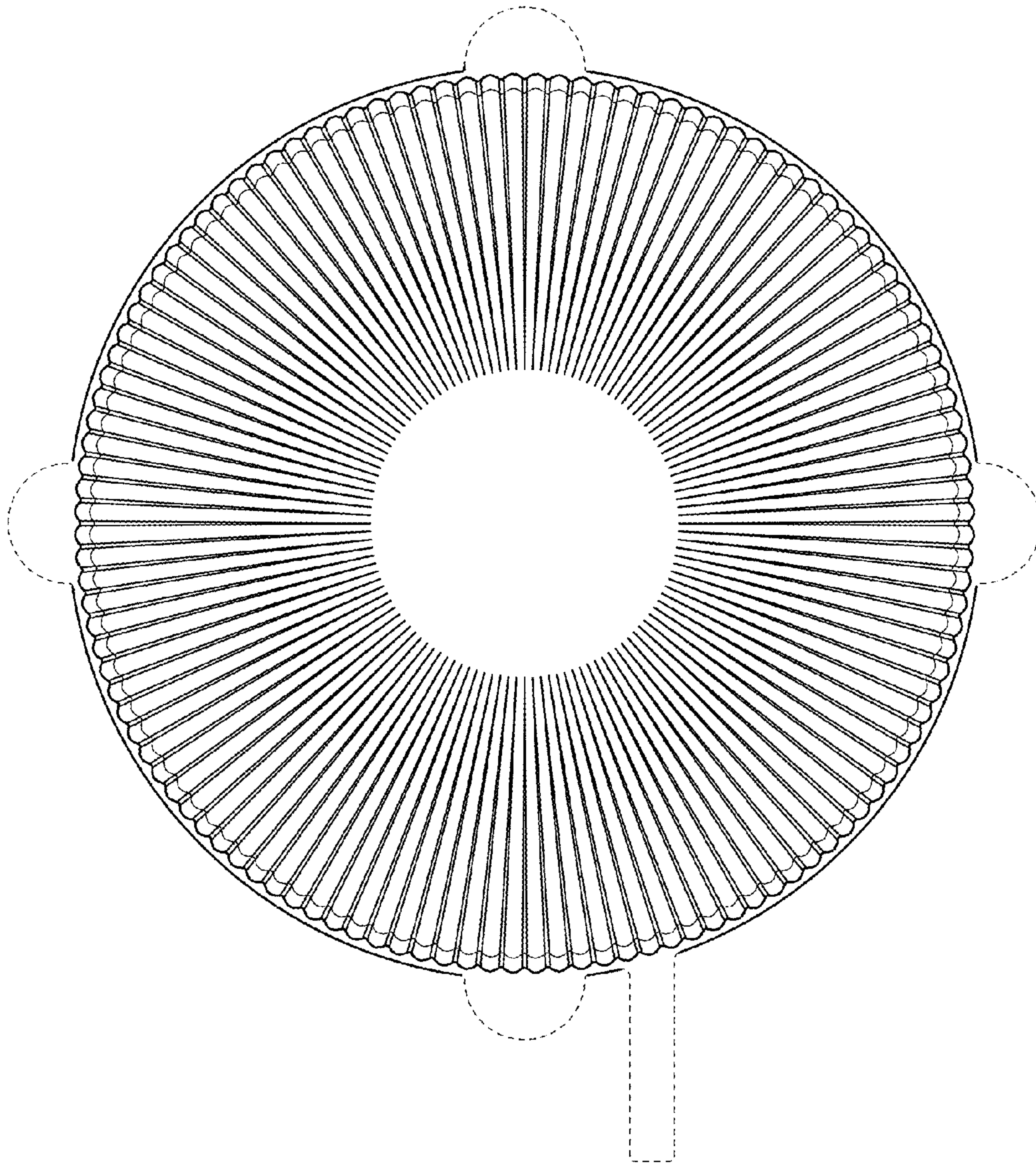


FIG. 6



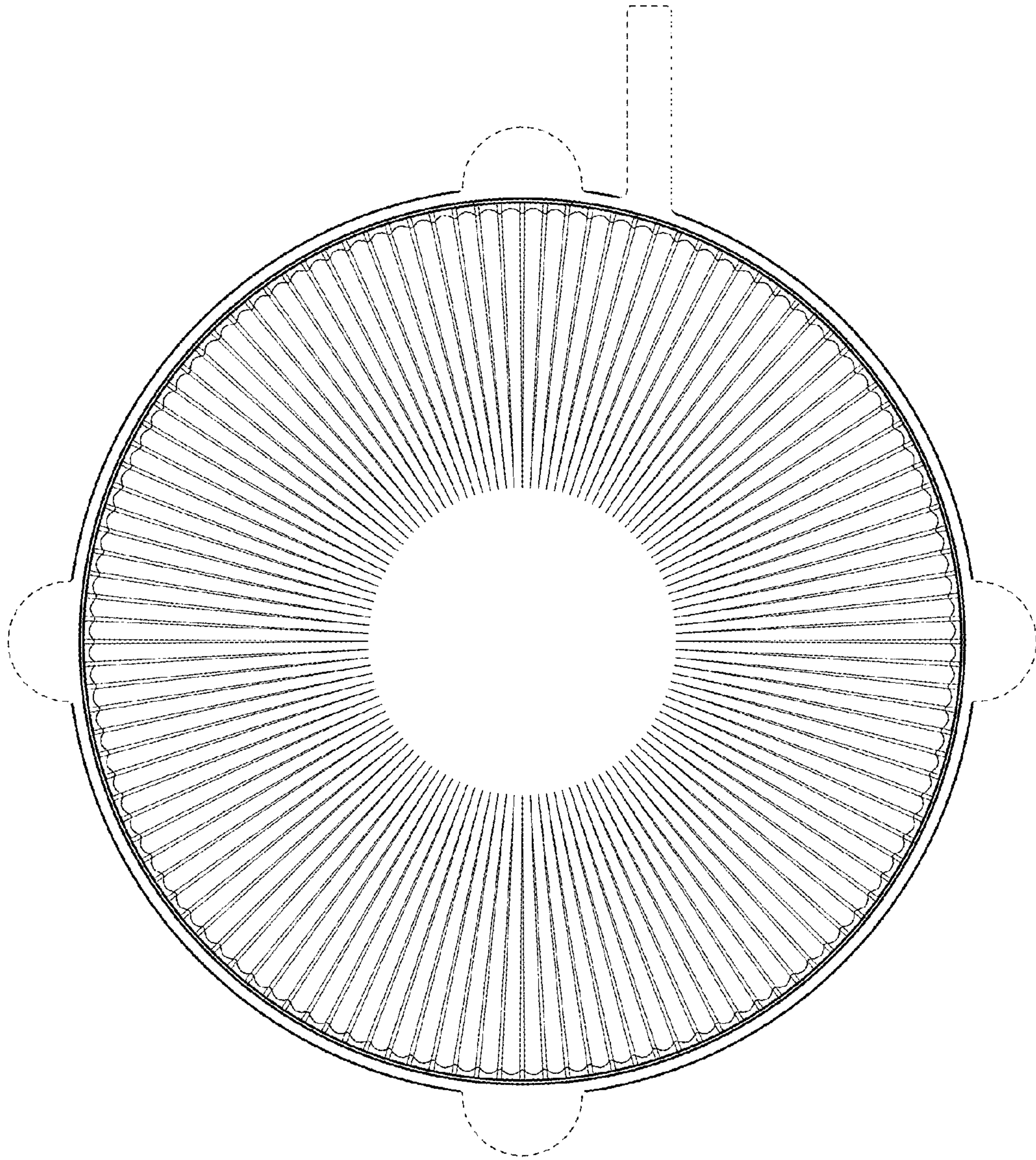


FIG. 7

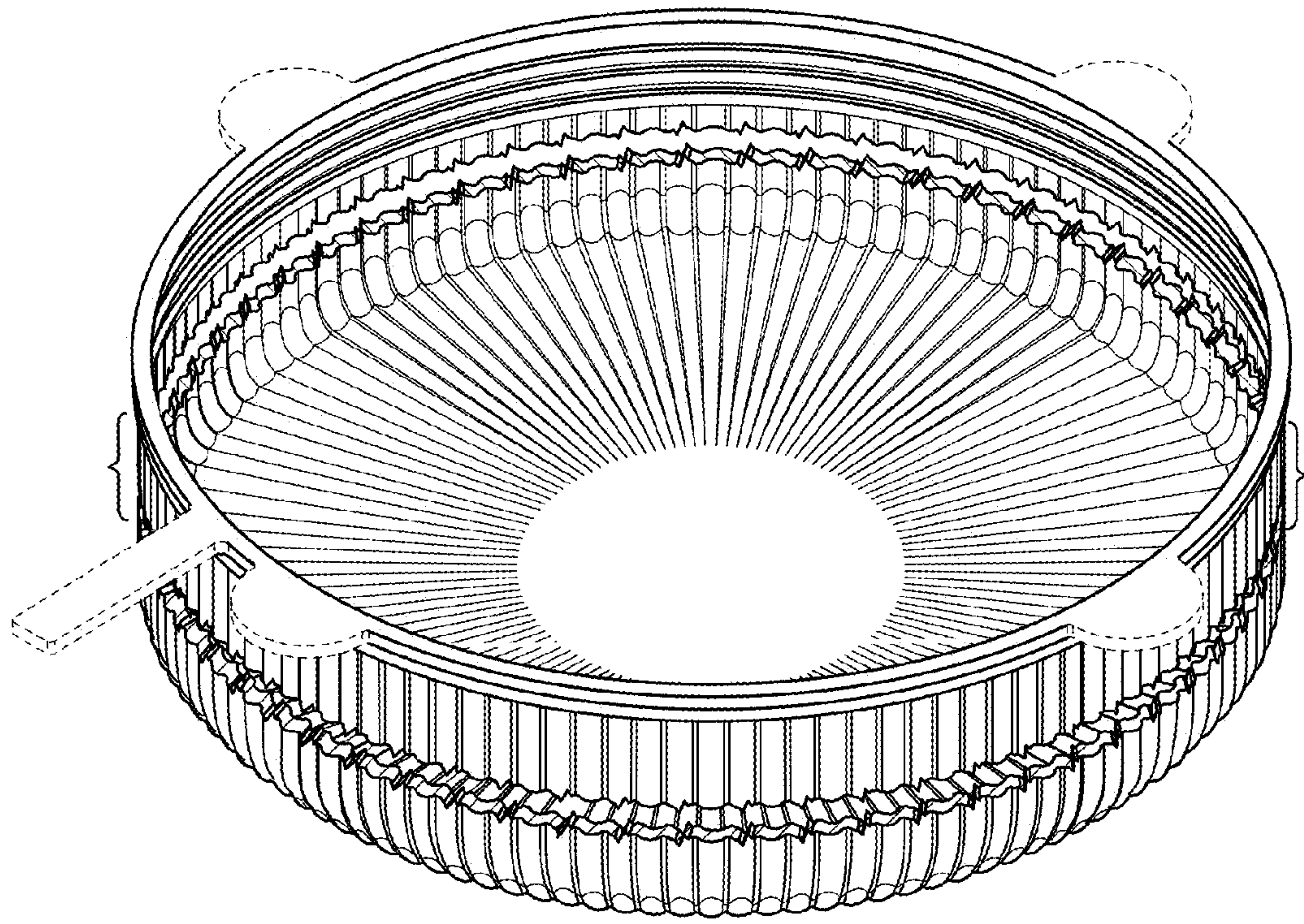


FIG. 8