



US00D723368S

(12) **United States Design Patent**
Checklin et al.

(10) **Patent No.:** **US D723,368 S**
(45) **Date of Patent:** **** Mar. 3, 2015**

(54) **FLEXIBLE STRAW FOR AEROSOL PRODUCT**

(71) Applicant: **WD-40 Company**, San Diego, CA (US)

(72) Inventors: **Paul Checklin**, San Diego, CA (US);
Kevin Simmons, San Francisco, CA (US); **Martin Aaron Leugers**, San Francisco, CA (US); **Alexander Robert Brown**, San Jose, CA (US); **Arthur Charles Kwun**, Newark, CA (US)

(73) Assignee: **WD-40 Company**, San Diego, CA (US)

(**) Term: **14 Years**

(21) Appl. No.: **29/490,908**

(22) Filed: **May 15, 2014**

(51) **LOC (10) Cl.** **09-07**

(52) **U.S. Cl.**
USPC **D9/448**

(58) **Field of Classification Search**
USPC D6/542-545; D7/300, 321, 392.1,
D7/396.2, 500, 507, 509, 510, 511, 900;
D9/434-449, 452-455, 682, 685;
215/200, 235, 236, 252, 259, 329,
215/355-364; 220/200, 220,
220/203.04-203.07, 254.1, 254.4, 556, 703,
220/704, 705; D28/4, 76, 88, 89, 82, 91.1;
D23/206, 211

See application file for complete search history.

(56) **References Cited**

U.S. PATENT DOCUMENTS

D209,871 S *	1/1968	Grebow	D9/447
D333,616 S *	3/1993	Perkins et al.	D9/448
D356,248 S *	3/1995	Wilkinson	D9/690
D365,515 S *	12/1995	Boykin	D9/685
D405,353 S *	2/1999	Buskie	D9/685

6,360,912 B1 *	3/2002	Lee	220/705
D478,274 S *	8/2003	Carter et al.	D9/688
6,824,025 B1 *	11/2004	Ruble et al.	222/527
D536,970 S	2/2007	Shannan		
7,934,620 B2 *	5/2011	Stribling et al.	220/705
2012/0091092 A1 *	4/2012	Adams et al.	215/329
2014/0021210 A1 *	1/2014	Crawley	220/669

* cited by examiner

Primary Examiner — Robert M Spear

Assistant Examiner — Marissa J Cash

(74) *Attorney, Agent, or Firm* — Epstein Drangel LLP;
Robert L. Epstein

(57) **CLAIM**

The ornamental design for a flexible straw for aerosol product, substantially as shown and described.

DESCRIPTION

FIG. 1 is an isometric view showing our design of a flexible straw for an aerosol product, and the front, top and one side of the aerosol product with which the flexible straw is intended to be used, with the pivot part in a first position;

FIG. 2 is an isometric view showing our design of a flexible straw for an aerosol product, and the front, top and one side of the aerosol product with which the flexible product is intended to be used, with the pivot part in an alternate environment of use;

FIG. 3 is a side view of our design;

FIG. 4 is an enlarged side view of the discharge end of our design;

FIG. 5 is an enlarged view of the discharge end of our design; is a top elevation view of our invention, showing the pivot part in the first position; and,

FIG. 6 is a side view of our design in a flexed state, an alternate configuration of use.

The broken lines in the drawings represent unclaimed environmental subject matter and form no part of the claim.

1 Claim, 4 Drawing Sheets

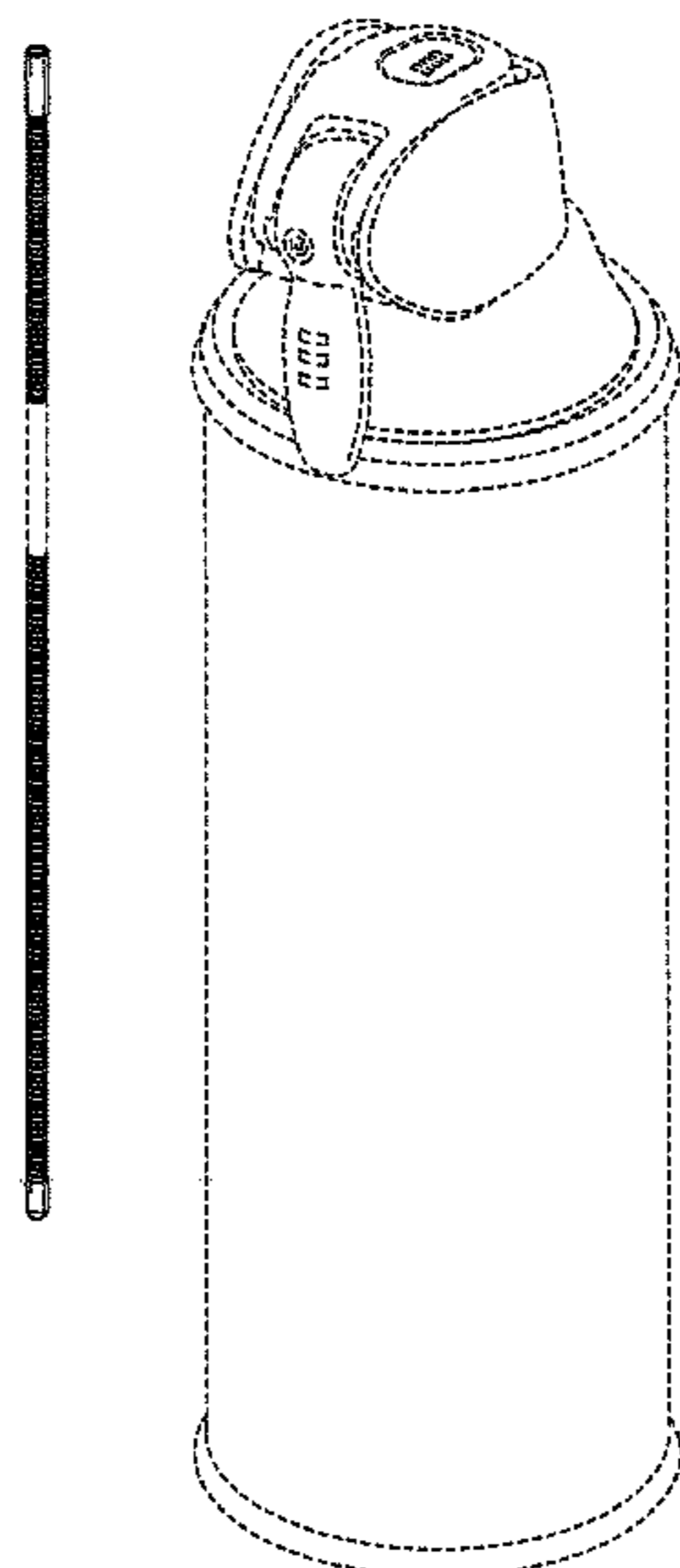


FIG. 1

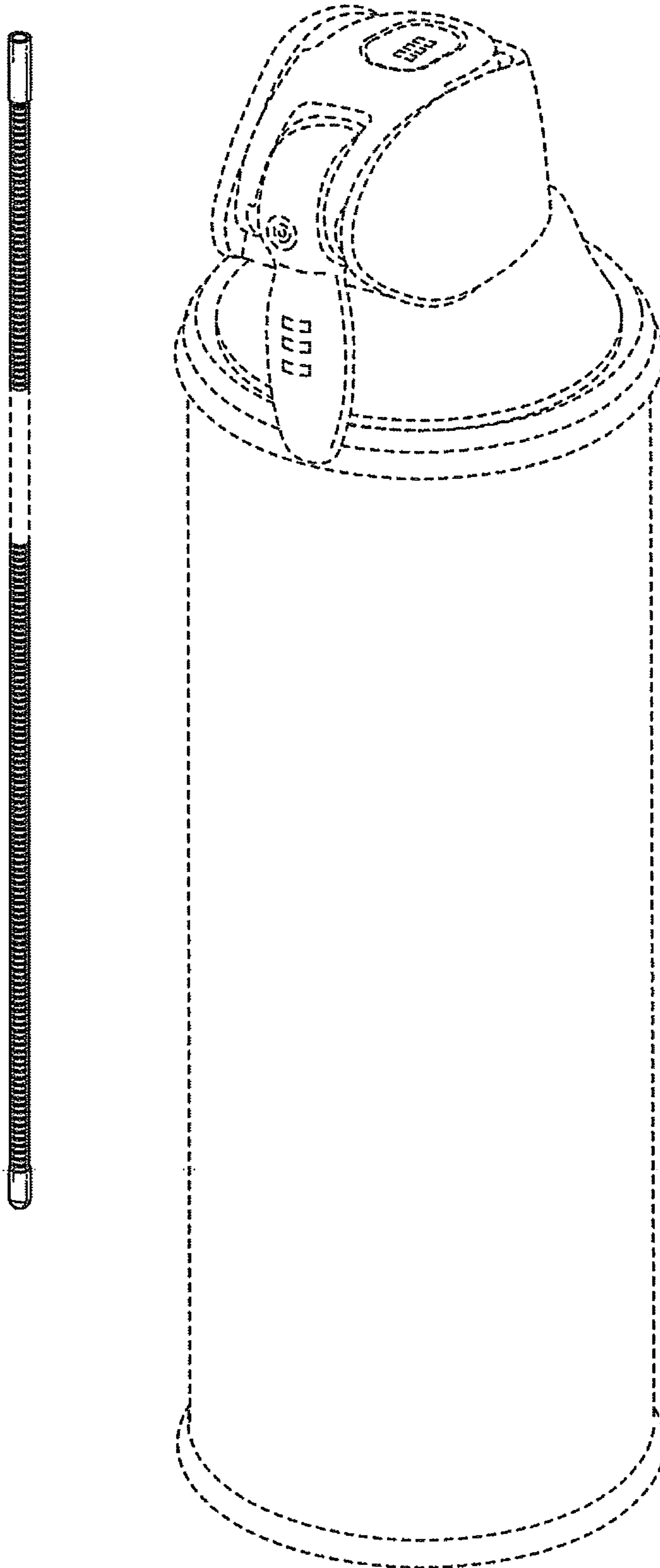


FIG. 2

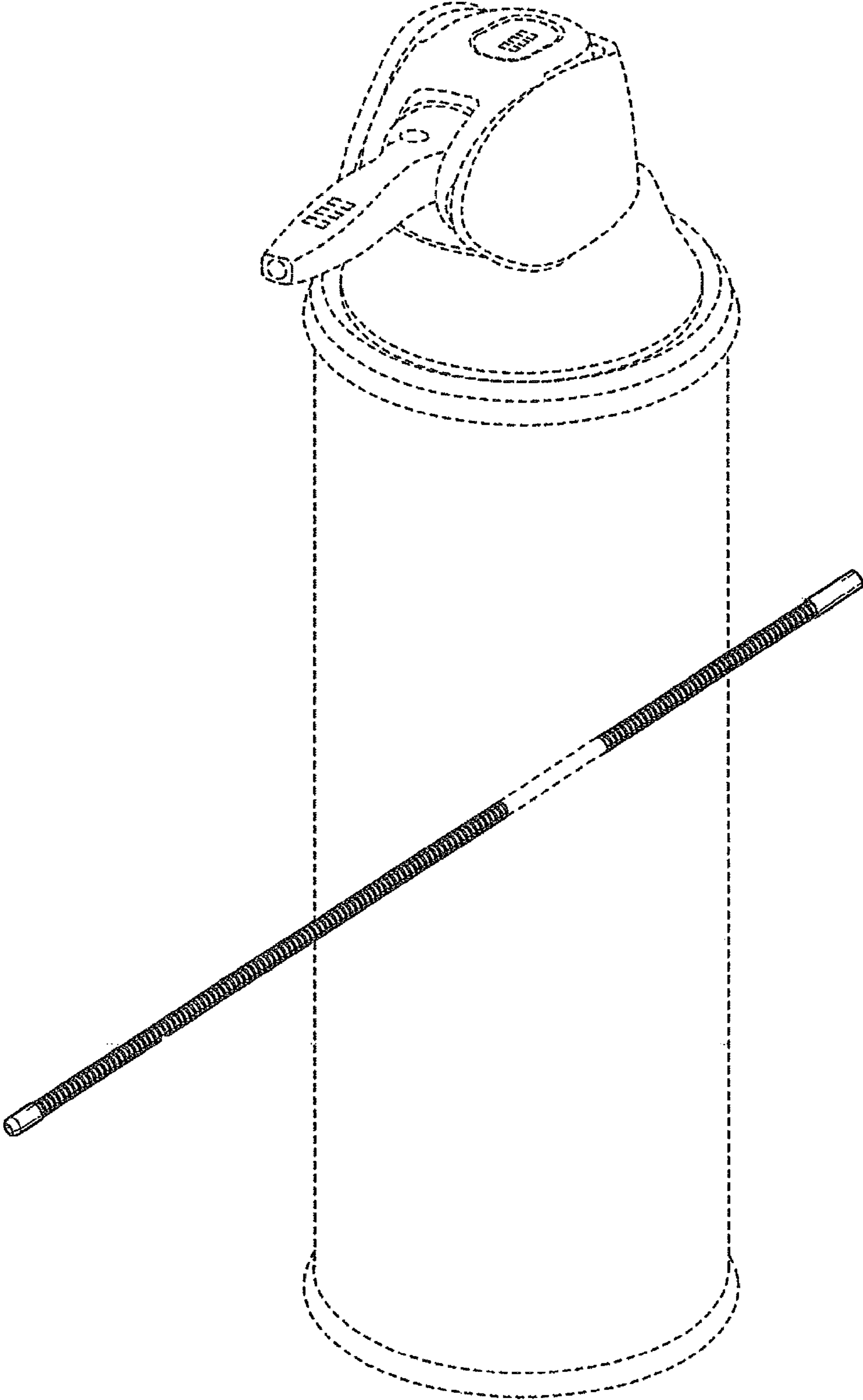


FIG. 3

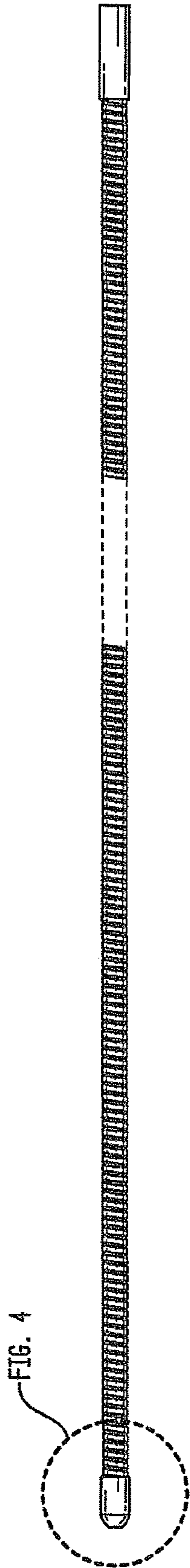


FIG. 5

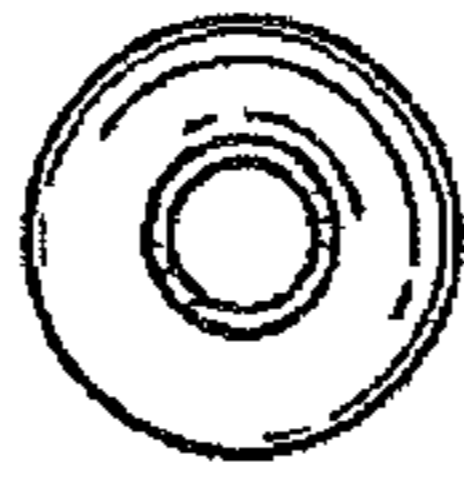


FIG. 4

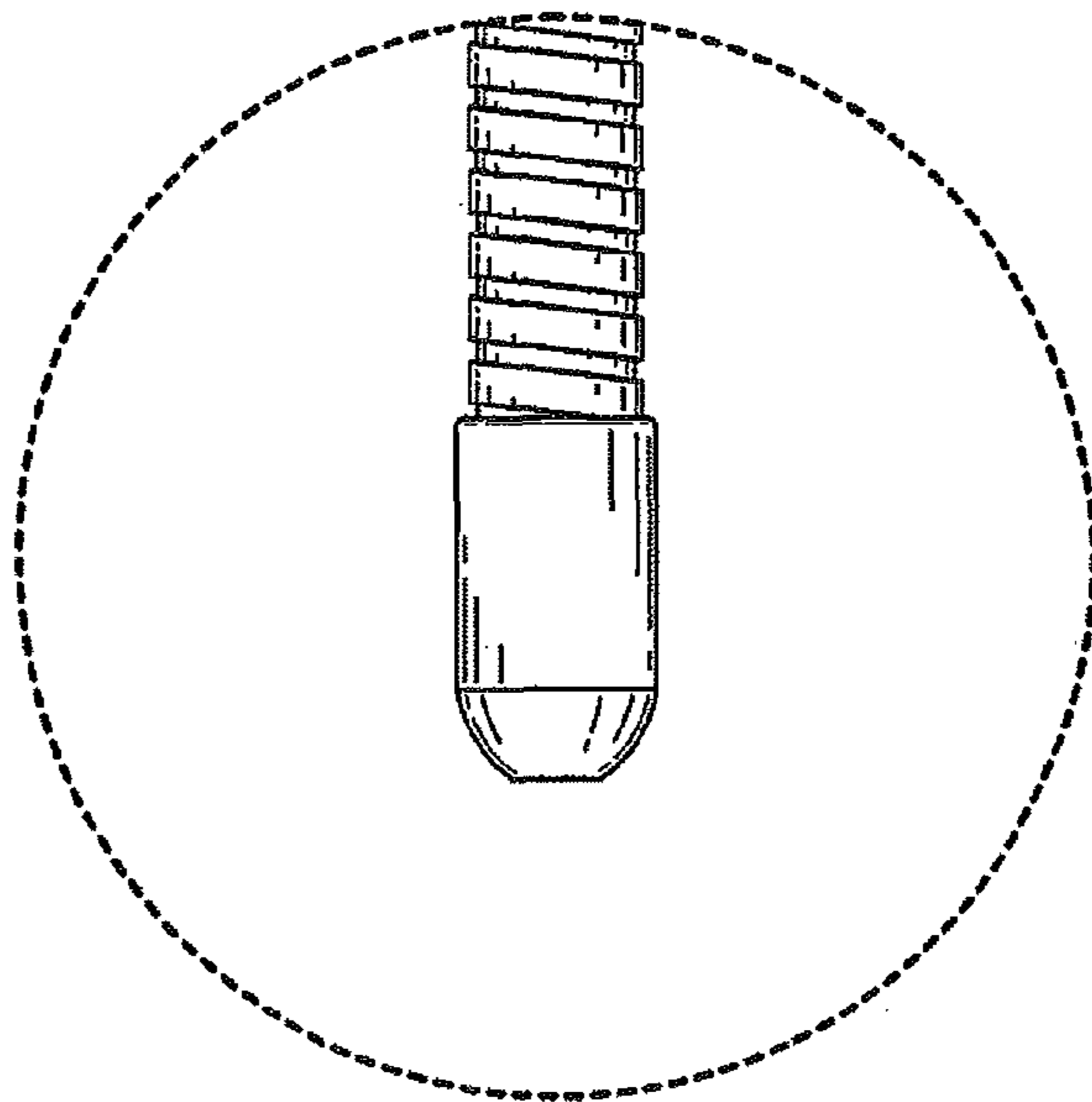


FIG. 6

