



US00D723367S

(12) **United States Design Patent**
Smith

(10) **Patent No.:** **US D723,367 S**
(45) **Date of Patent:** **** Mar. 3, 2015**

- (54) **DISPENSING VALVE**
- (71) Applicant: **Matthew Eric Smith**, Isle of Man (GB)
- (72) Inventor: **Matthew Eric Smith**, Isle of Man (GB)
- (**) Term: **14 Years**
- (21) Appl. No.: **29/492,395**
- (22) Filed: **May 30, 2014**
- (51) **LOC (10) Cl.** **09-07**
- (52) **U.S. Cl.**
USPC **D9/447**
- (58) **Field of Classification Search**
USPC D7/396.2, 507, 509, 510, 511, 397, 398,
D7/677; D9/434-455, 524, 682, 685, 694;
215/200, 235, 236, 252, 254, 329,
215/355-364; 220/203.04-203.07, 220,
220/254.1, 254.4, 556, 703, 704, 705;
D6/542-545
See application file for complete search history.

D621,249 S * 8/2010 Heindl D8/382
D651,921 S * 1/2012 Probst D9/724
8,434,652 B2 * 5/2013 Rushe et al. 222/549

* cited by examiner

Primary Examiner — Robert M Spear
Assistant Examiner — Marissa J Cash
(74) *Attorney, Agent, or Firm* — Kaplan Breyer Schwarz & Ottesen, LLP; Harry K. Ahn

(56) **References Cited**

U.S. PATENT DOCUMENTS

- D149,911 S * 6/1948 Sellon D9/502
- D269,252 S * 6/1983 Balistreri D9/435
- D277,458 S * 2/1985 Neggers D9/443
- D296,081 S * 6/1988 Kuboshima D9/443
- D587,819 S * 3/2009 Ryan D25/119
- D612,730 S * 3/2010 Rushe D9/453

(57) **CLAIM**
The ornamental design for dispensing valve, as shown and described herein.

DESCRIPTION

FIG. 1 is a top, front and right side perspective view of the dispensing valve;
FIG. 2 is a top view thereof;
FIG. 3 is a rear view thereof;
FIG. 4 is a front view thereof;
FIG. 5 is a left side view thereof, which is a mirror image of the right side view; and,
FIG. 6 is a right side view thereof, which is a mirror image of the left side view.
In the drawings, the broken lines depict unclaimed environmental subject matter only and form no part of the claimed design.

1 Claim, 3 Drawing Sheets

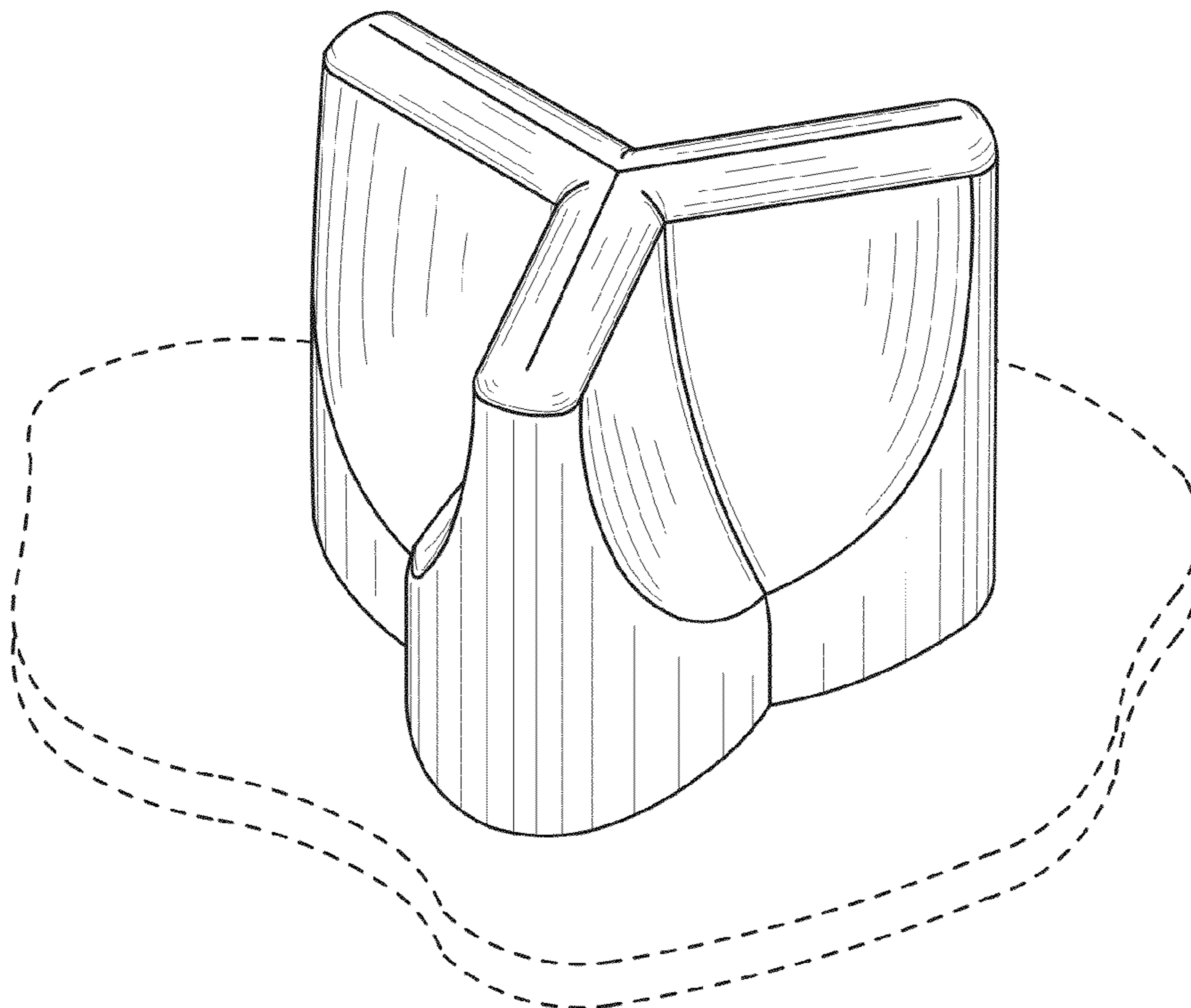


Fig. 1

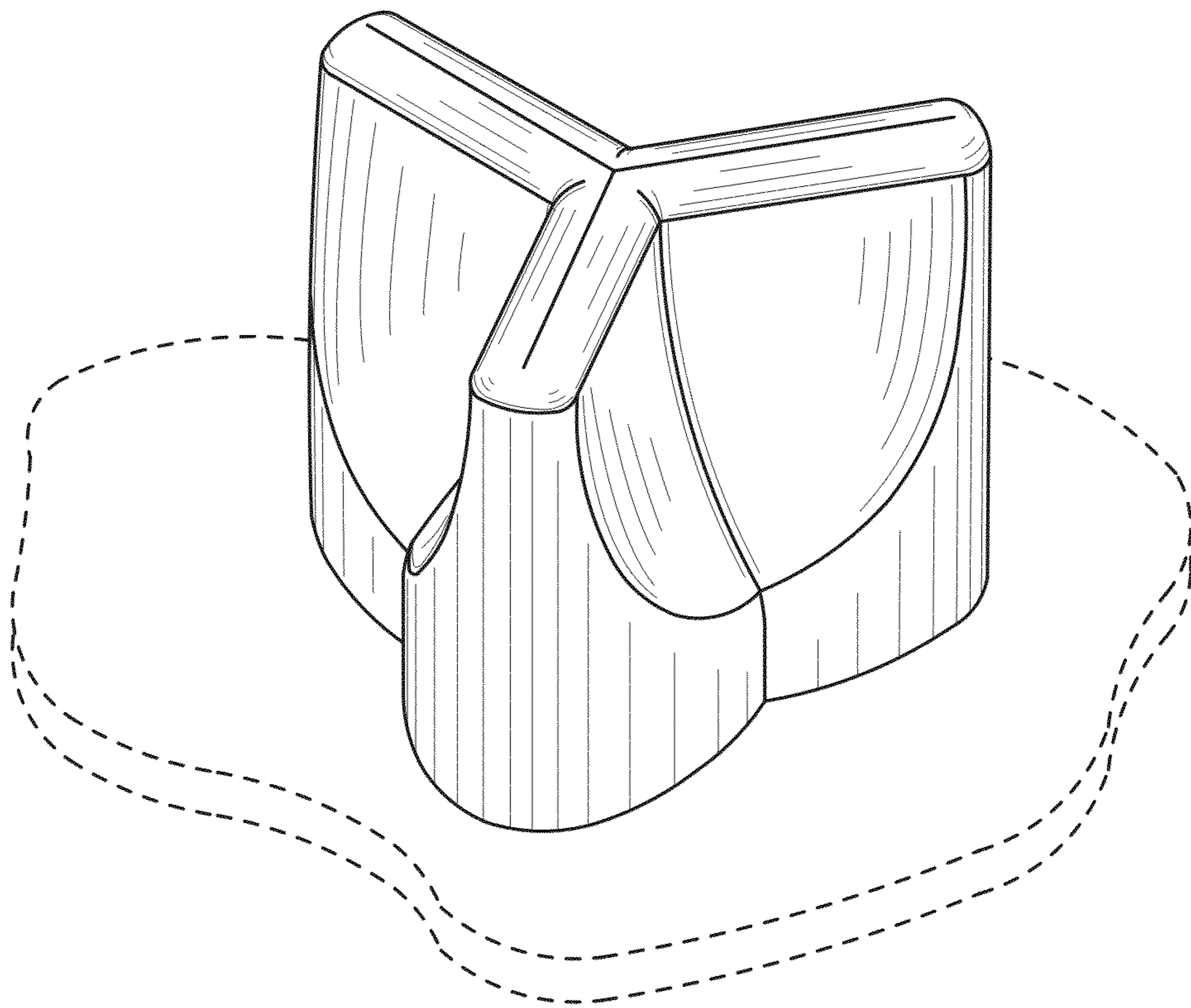


Fig. 2

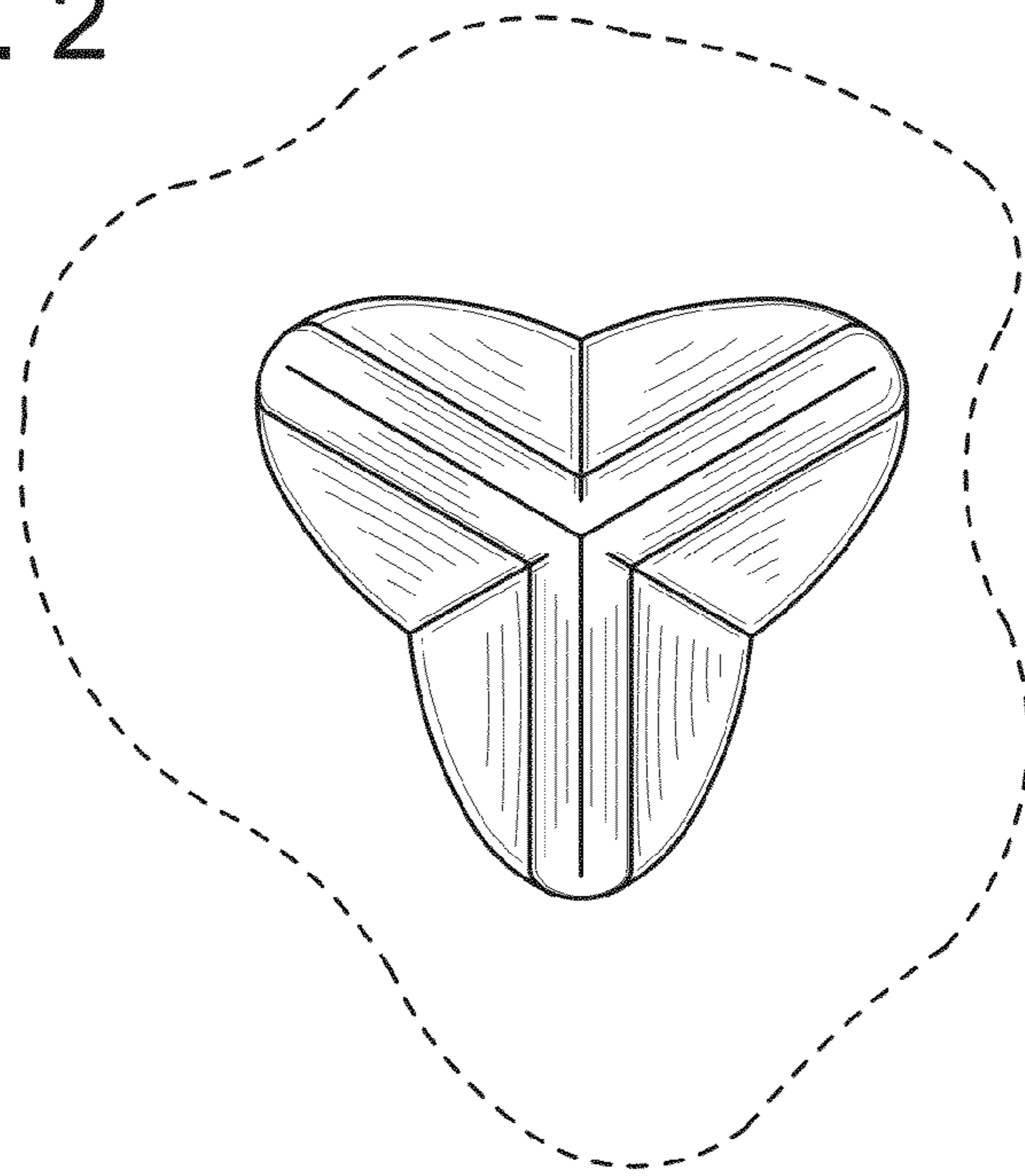


Fig. 3

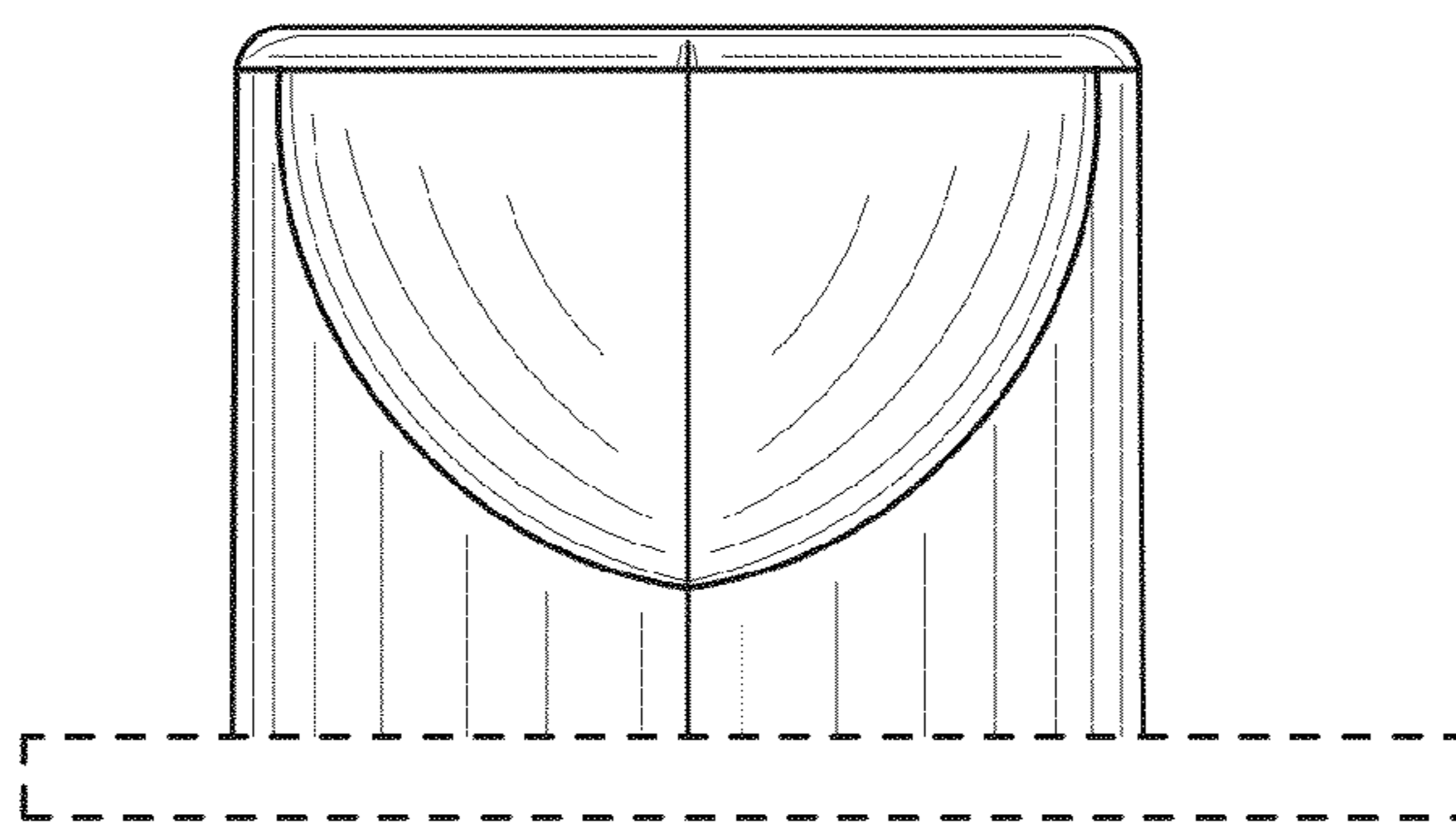


Fig. 4

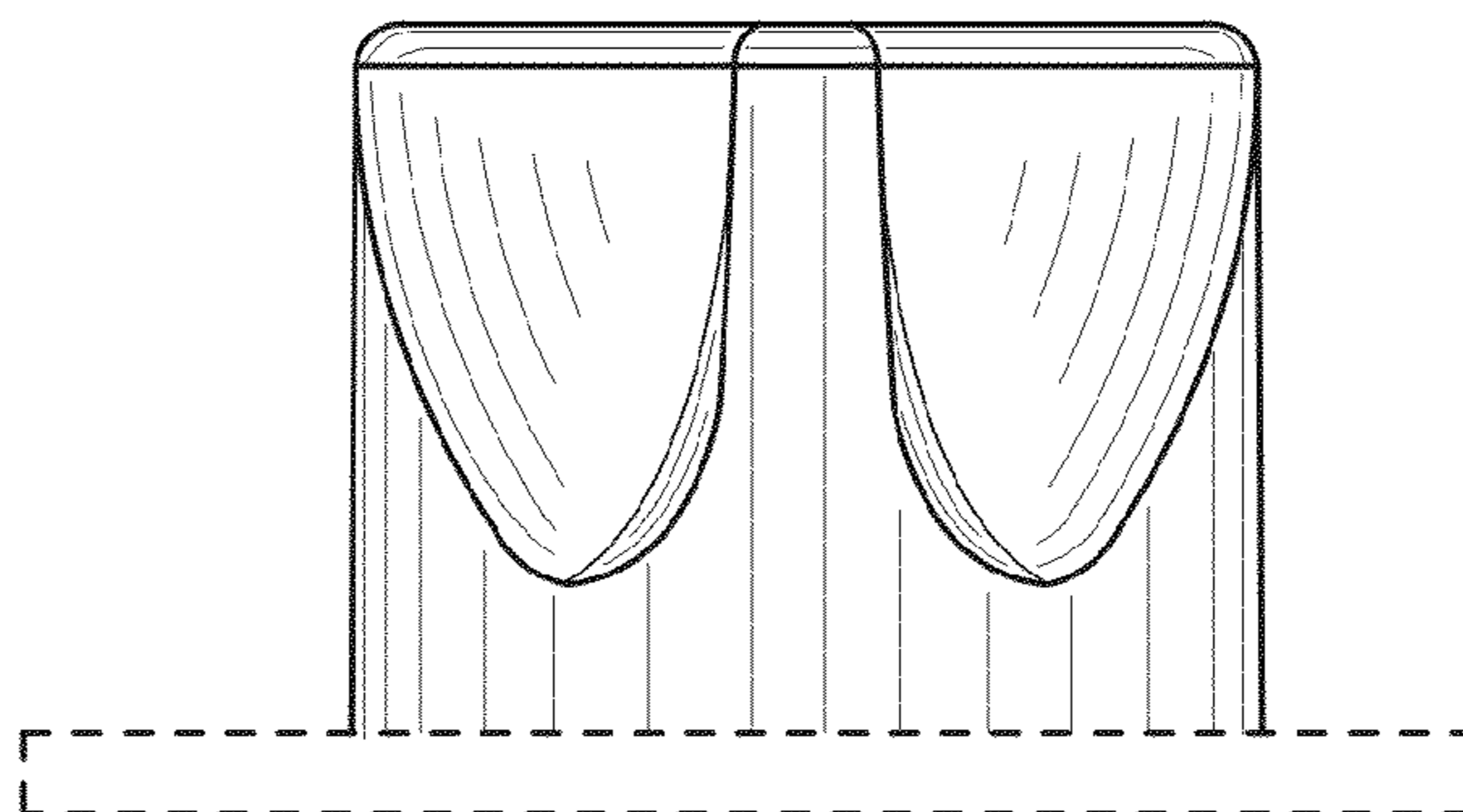


Fig. 5

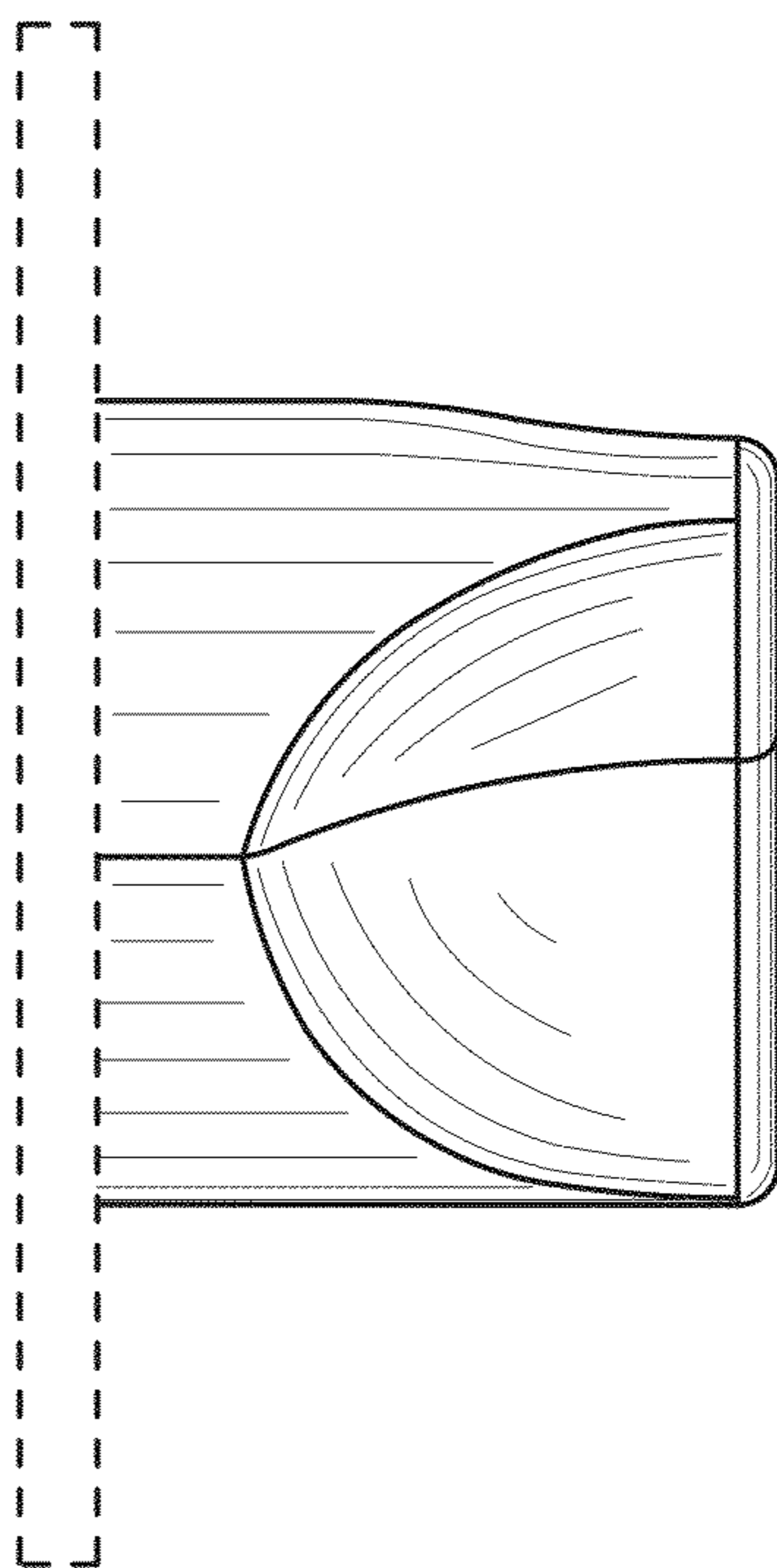


Fig. 6

