



US00D723365S

(12) **United States Design Patent**
Mitchell et al.

(10) **Patent No.:** **US D723,365 S**
(45) **Date of Patent:** **** Mar. 3, 2015**

(54) **CONTAINER**

(71) Applicant: **The J.M. Smucker Company**, Orrville, OH (US)

(72) Inventors: **Elizabeth Claire Mitchell**, Akron, OH (US); **Duane Nathan Eberhart**, Wooster, OH (US); **Kimberly Anne Szukaitis**, Wooster, OH (US); **Michael Palmisano**, Cincinnati, OH (US)

(73) Assignee: **The J.M. Smucker Company**, Orrville, OH (US)

(**) Term: **14 Years**

(21) Appl. No.: **29/449,721**

(22) Filed: **Mar. 15, 2013**

(51) **LOC (10) Cl.** **09-03**

(52) **U.S. Cl.**
USPC **D9/416**

(58) **Field of Classification Search**

USPC D9/414, 415, 418, 416, 420, 423, 424, D9/425, 426, 428, 430-433, 434, 435, 445, D9/449, 454, 455, 456, 465, 499, 501-503, D9/522, 529, 643, 645, 651, 688-692, D9/702-715, 734, 737-738, 740-742, 744, D9/751, 755, 722, 756, 759, 760, 727, 758, D9/749; 220/23.87-23.89, 560.01, 579; 206/273, 467; 211/40

See application file for complete search history.

(56) **References Cited**

U.S. PATENT DOCUMENTS

D440,874 S * 4/2001 Shurtleff et al. D9/425
7,703,619 B2 4/2010 Van Puijenbroek

(Continued)

FOREIGN PATENT DOCUMENTS

CA 2552716 6/2011
EP 1597168 8/2013

(Continued)

OTHER PUBLICATIONS

Heinz Ketchup 'Uncaps' New Decade with Revolutionary Product and Packaging Innovations, Press Release, Feb. 4, 2010.

(Continued)

Primary Examiner — Ian Simmons

Assistant Examiner — Rhea Shields

(74) *Attorney, Agent, or Firm* — Calfee, Halter & Griswold LLP

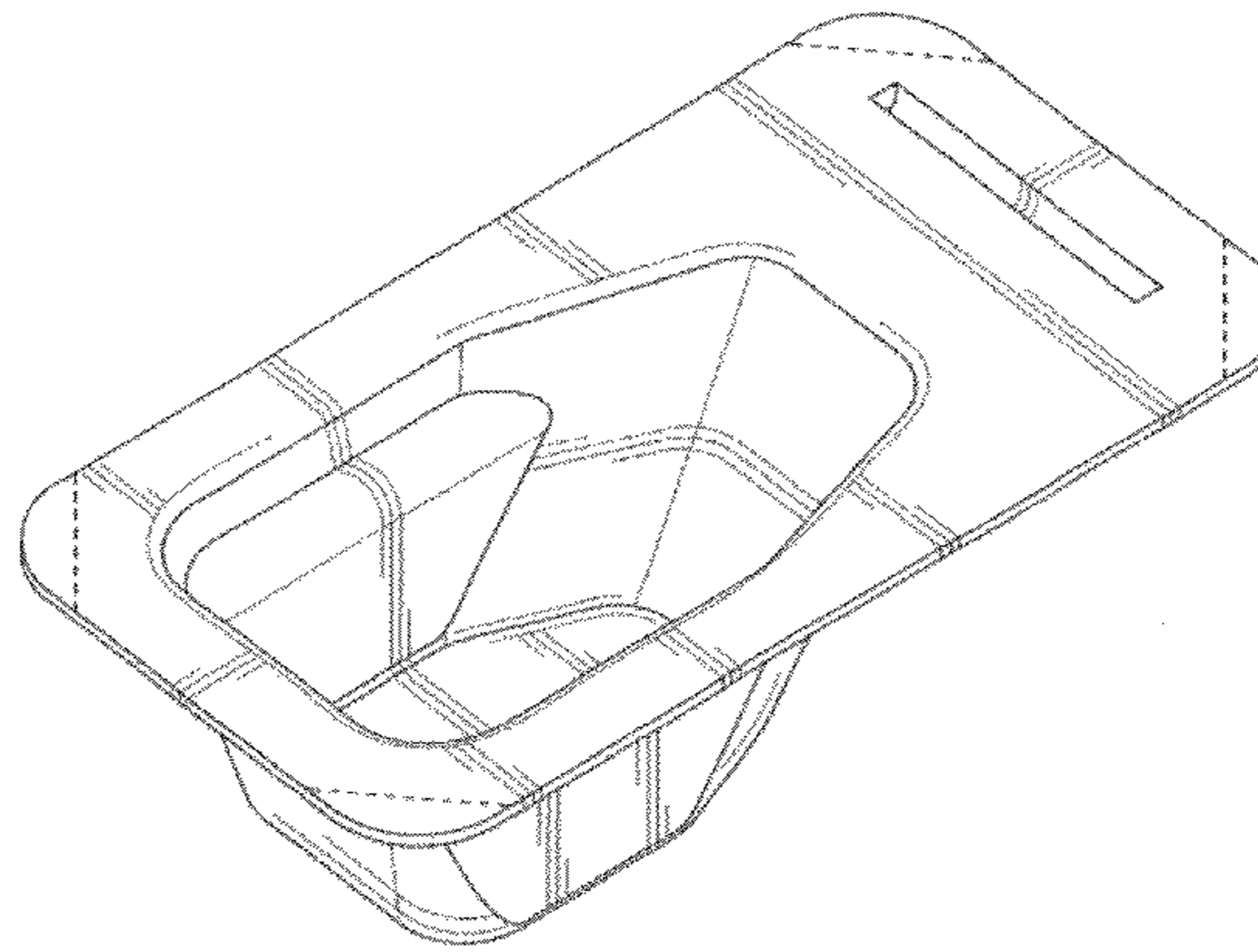
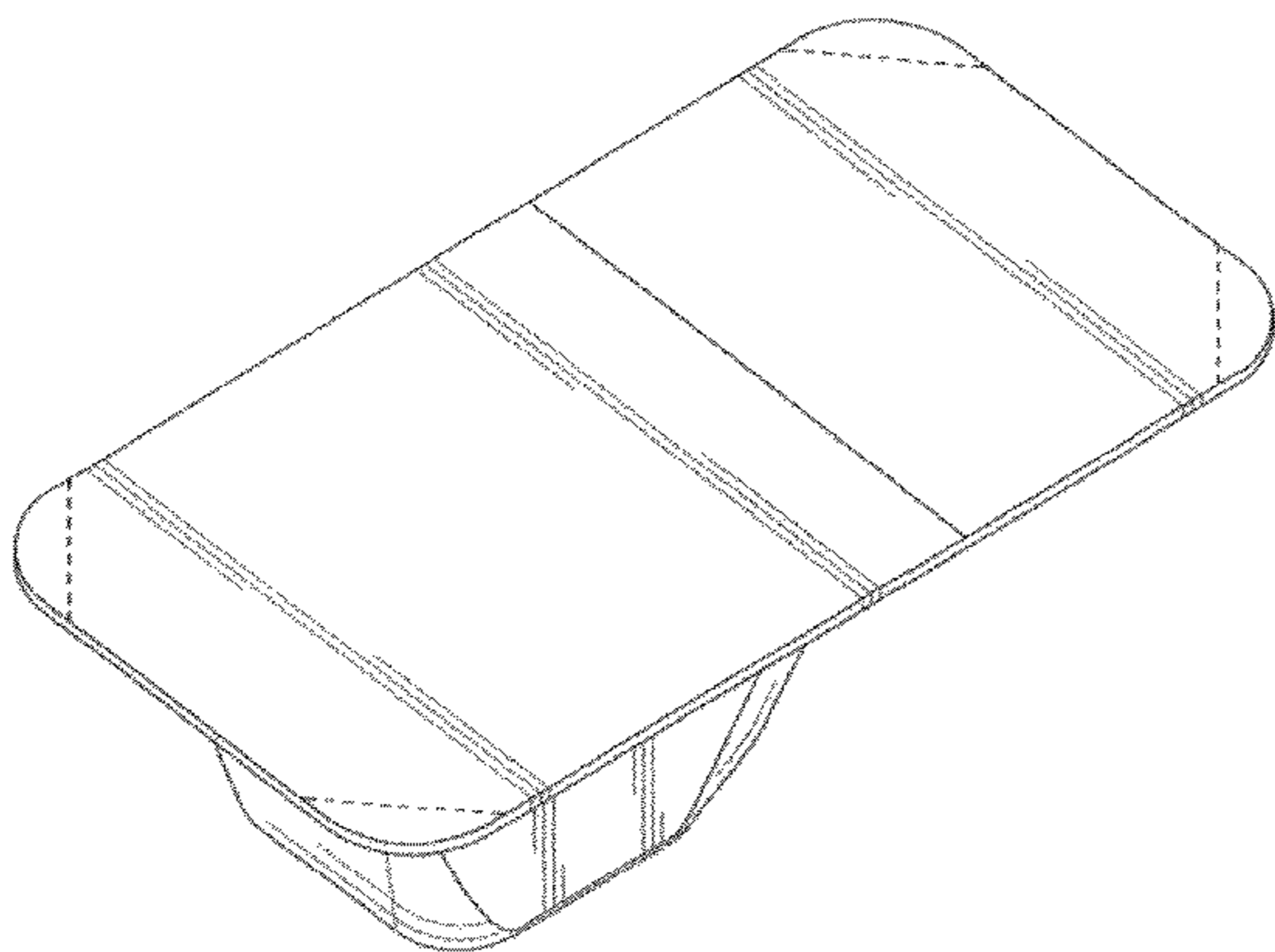
(57) **CLAIM**

We claim the ornamental design for a container, as shown and described.

DESCRIPTION

FIG. 1 is a top perspective view of a container covered with a lid; according to a first embodiment;
FIG. 2 is a bottom perspective view of the container of FIG. 1;
FIG. 3 is a side view of the container of FIG. 1;
FIG. 4 is a top plan view of the container of FIG. 1;
FIG. 5 is a bottom plan view of the container of FIG. 1;
FIG. 6 is a front view of the container of FIG. 1;
FIG. 7 is a rear view of the container of FIG. 1;
FIG. 8 is a top perspective view of the container shown in FIG. 1 and with the lid removed from the body of the container; according to a second embodiment; and,
FIG. 9 is a top plan view of the container thereof.
In the drawings, the broken lines depict unclaimed subject matter only and form no part of the claimed design.

1 Claim, 3 Drawing Sheets



(56)

References Cited

U.S. PATENT DOCUMENTS

D621,719 S 8/2010 Caldwell et al.
 D623,072 S 9/2010 Caldwell et al.
 D623,073 S 9/2010 Caldwell et al.
 D623,074 S 9/2010 Caldwell et al.
 D628,903 S 12/2010 Caldwell et al.
 D629,702 S 12/2010 Caldwell et al.
 D632,560 S 2/2011 Caldwell et al.
 D632,564 S 2/2011 Caldwell et al.
 D632,565 S 2/2011 Caldwell et al.
 D632,566 S 2/2011 Caldwell et al.
 D632,567 S 2/2011 Caldwell et al.
 D632,568 S 2/2011 Caldwell et al.
 D632,569 S 2/2011 Caldwell et al.
 D632,570 S 2/2011 Caldwell et al.
 D634,643 S 3/2011 Caldwell et al.
 D636,220 S 4/2011 Caldwell et al.
 D640,921 S 7/2011 Caldwell et al.
 D642,904 S * 8/2011 Turvey D9/424
 D680,882 S * 4/2013 Logue D9/732
 D686,913 S * 7/2013 Kirk et al. D9/416
 D696,108 S * 12/2013 De Pra D9/416

D697,399 S * 1/2014 Parmar et al. D9/416
 D697,794 S * 1/2014 De Pra D9/425
 D698,239 S * 1/2014 De Pra D9/425
 D699,567 S * 2/2014 De Pra D9/425
 D703,063 S * 4/2014 Garrity et al. D9/695
 2006/0278562 A1 12/2006 Van Puijenbroek
 2010/0176125 A1 7/2010 Van Puijenbroek
 2010/0270330 A1 10/2010 Caldwell et al.
 2010/0320206 A1 12/2010 Caldwell et al.
 2011/0097020 A1 4/2011 Rasile

FOREIGN PATENT DOCUMENTS

WO WO2004063048 7/2004
 WO WO2010123581 10/2010
 WO WO2010123582 10/2010

OTHER PUBLICATIONS

<http://www.heinz.com/our-compan/press-room/press-releases/press-release.aspx?ndmConfigid=1012072&newsid=20100204005923>[Feb. 8, 2011 12:01:08PM].

* cited by examiner

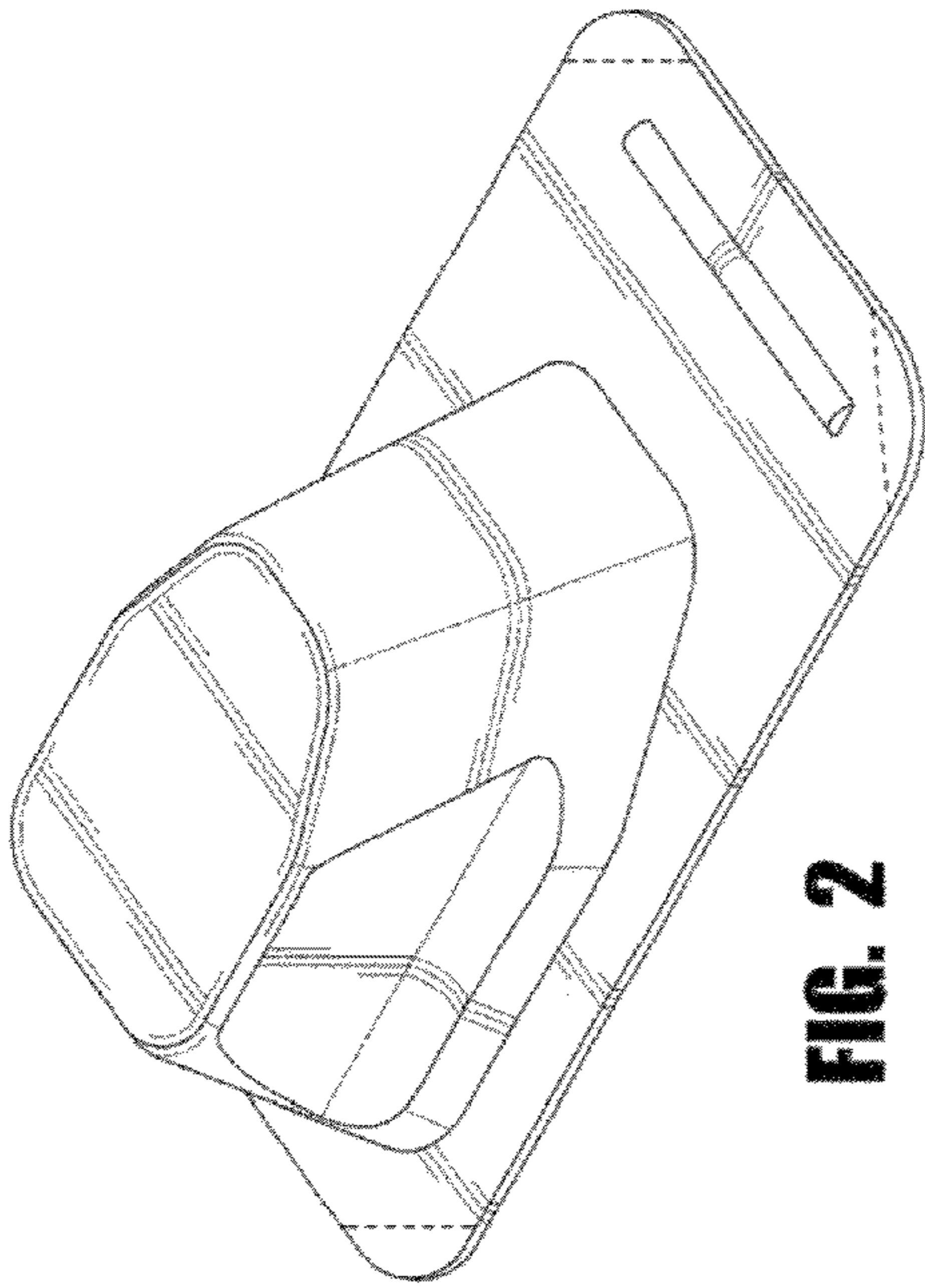


FIG. 2

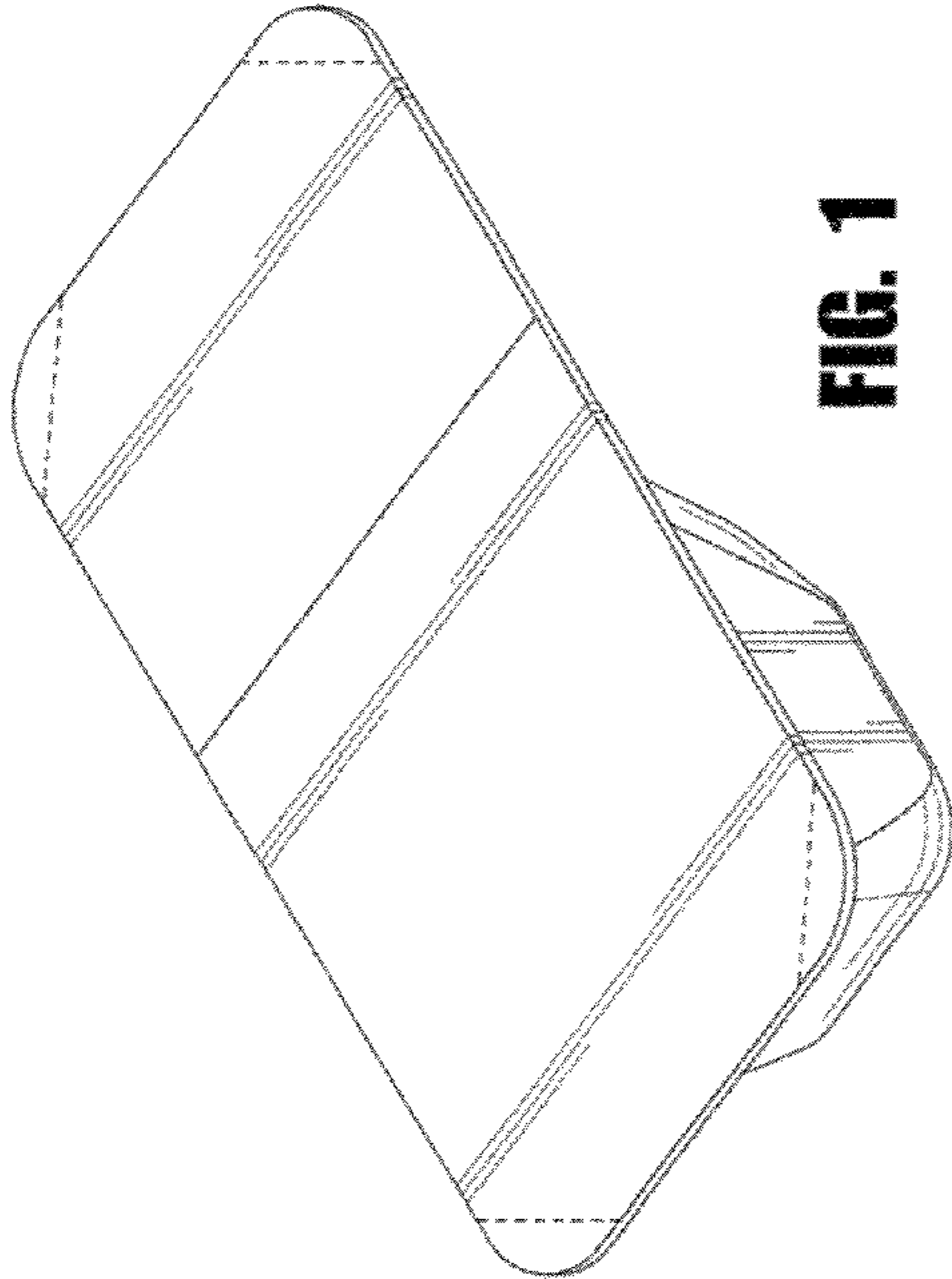


FIG. 1

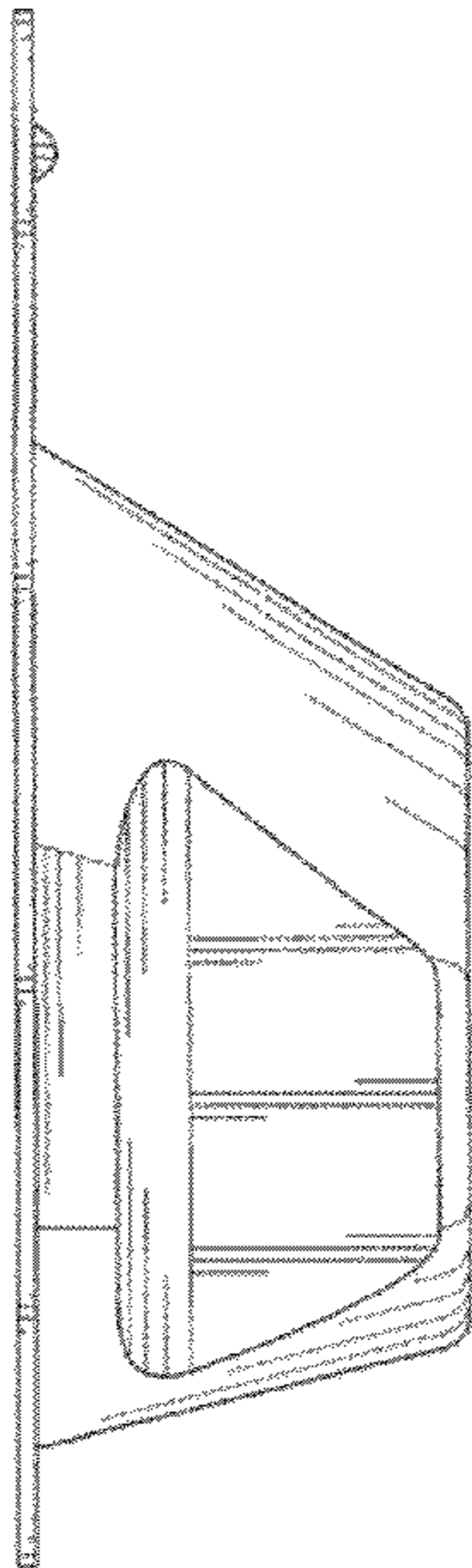


FIG. 3

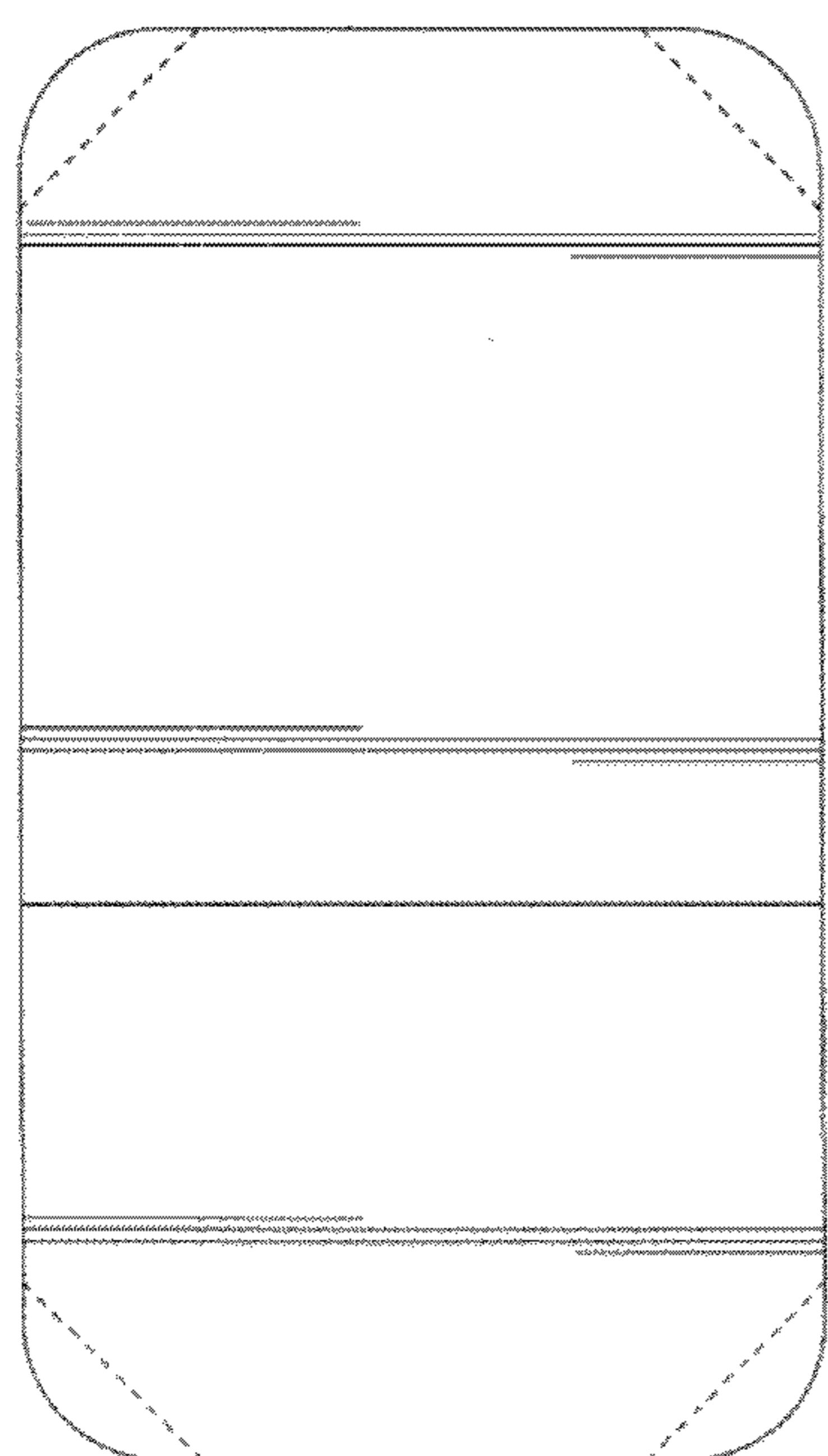


FIG. 4

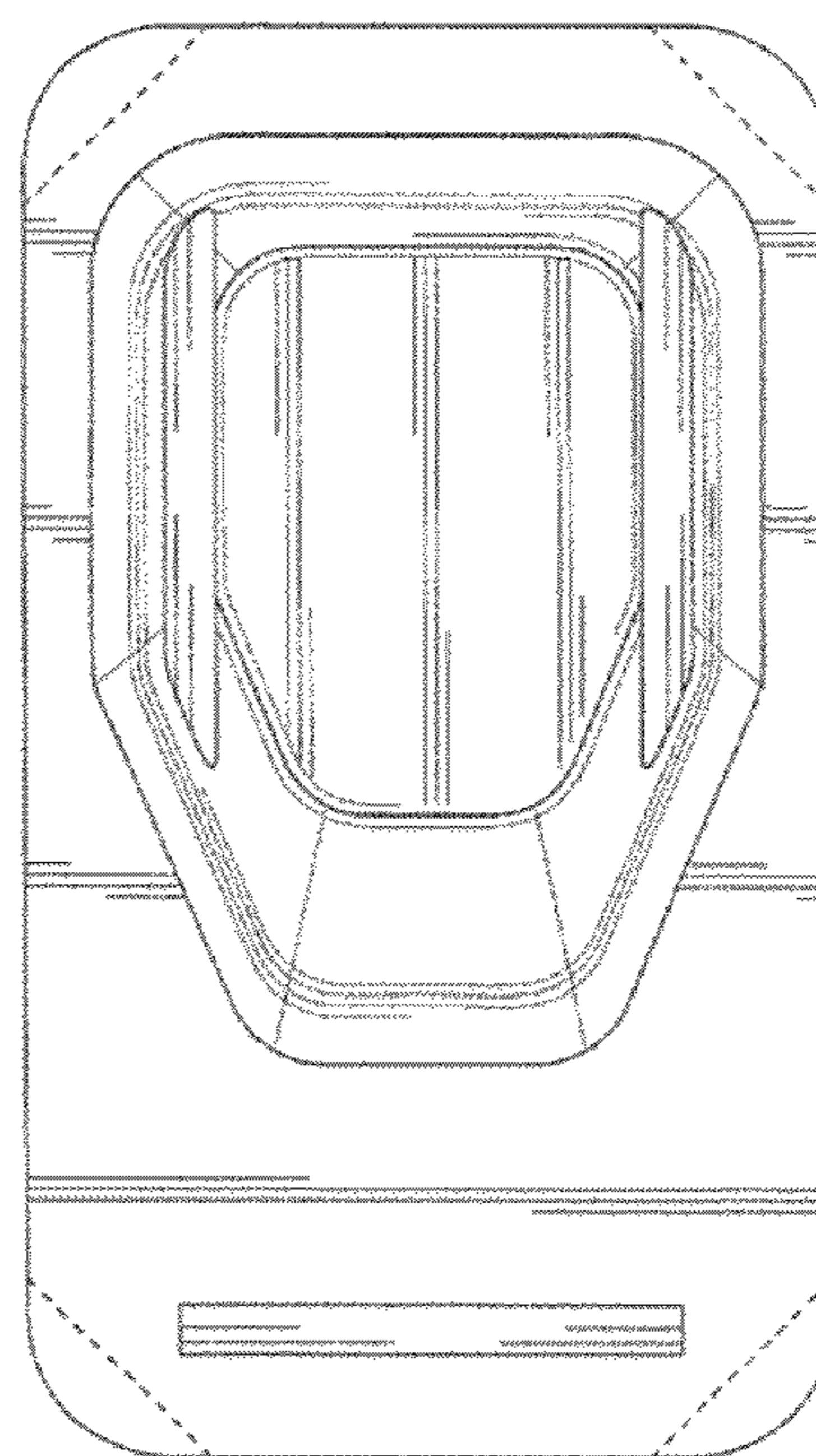


FIG. 5

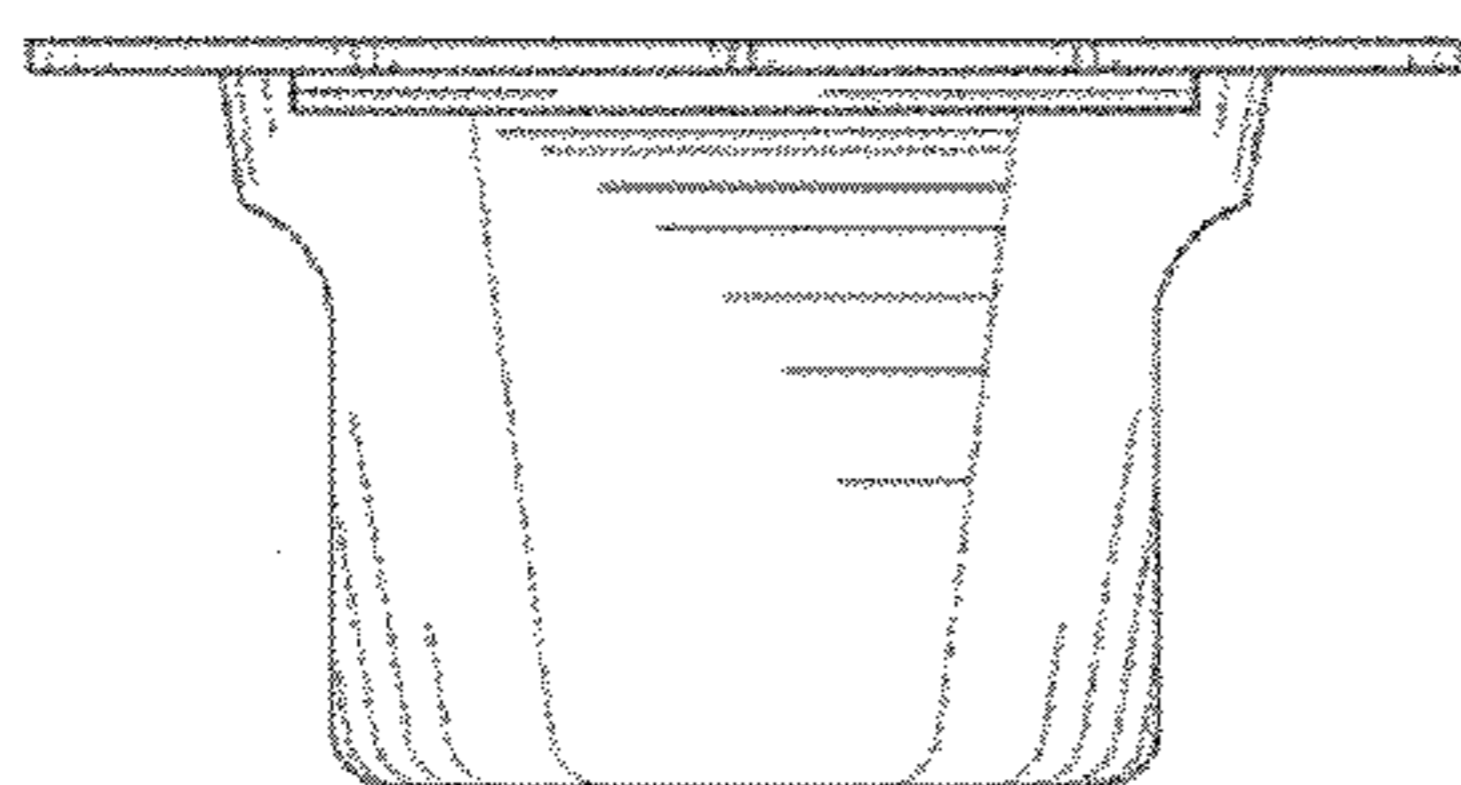


FIG. 6

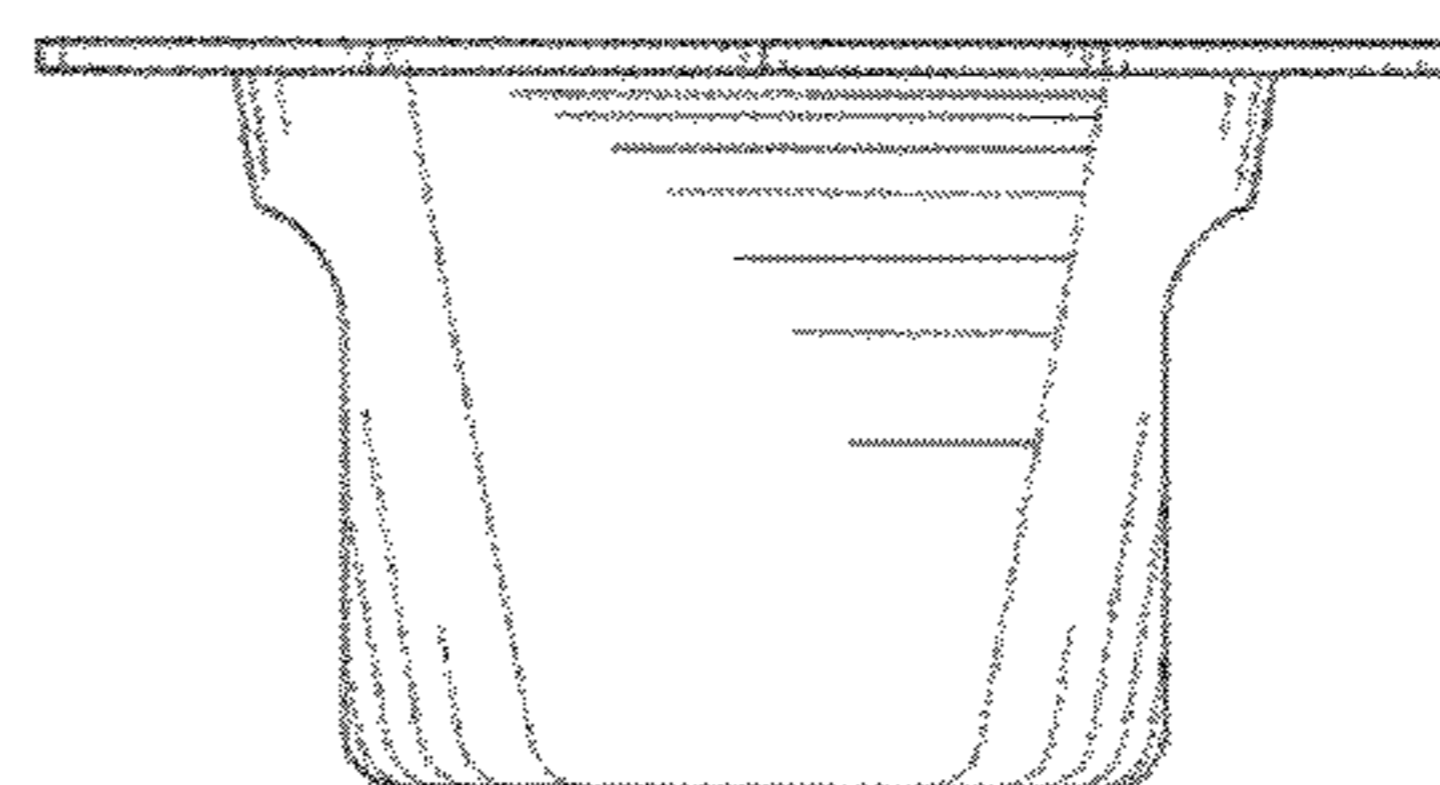


FIG. 7

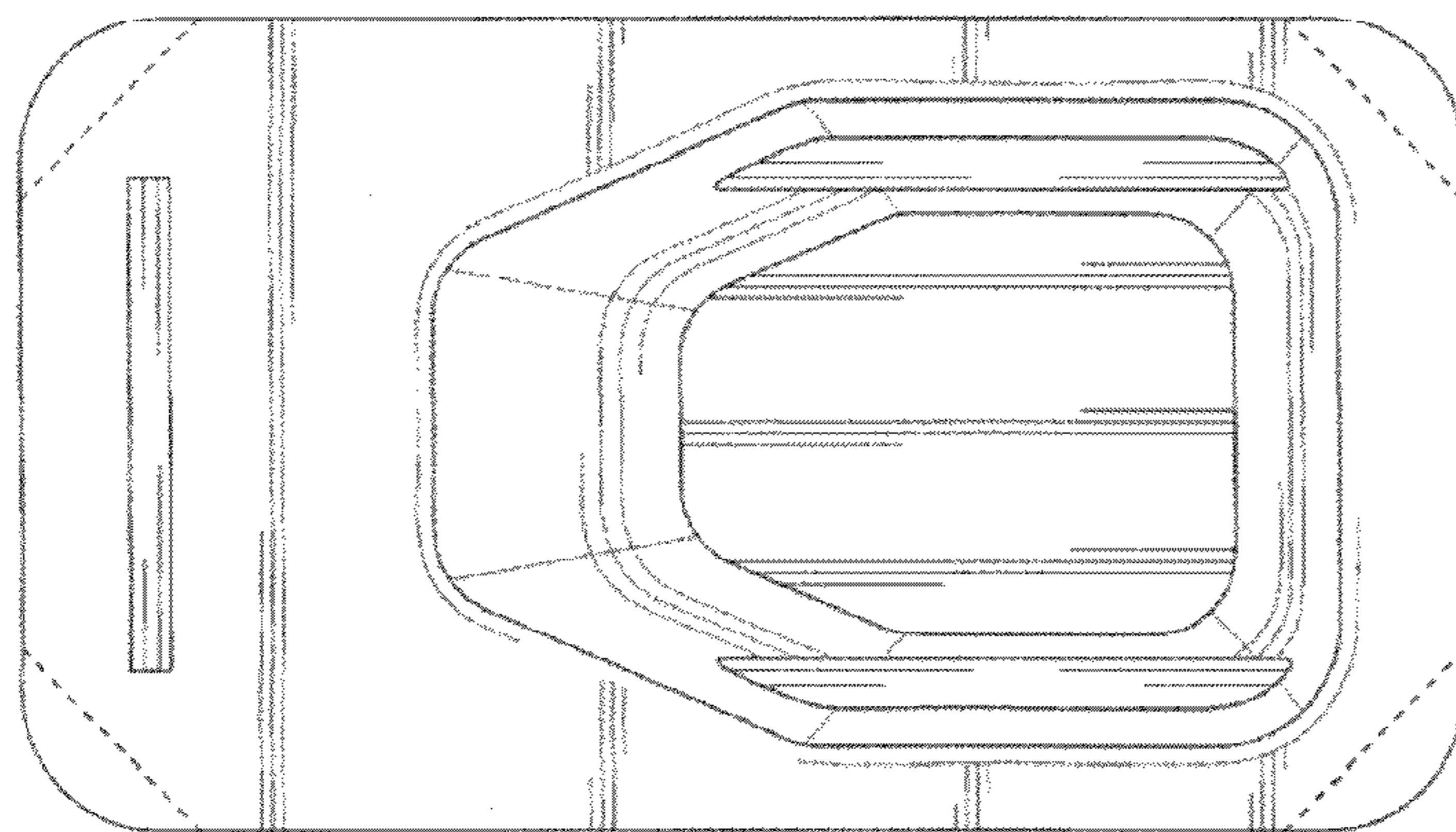


FIG. 9

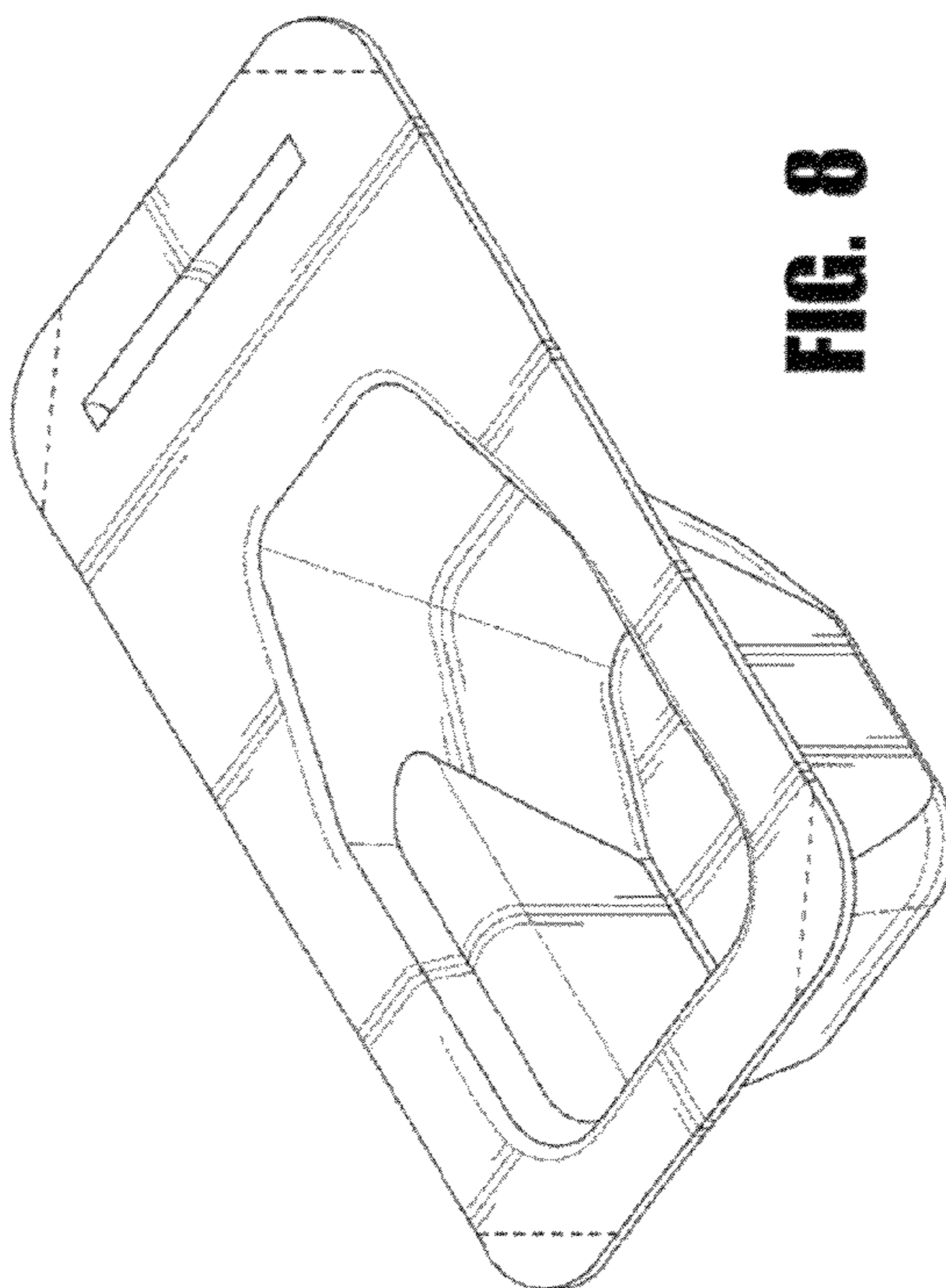


FIG. 8