



US00D723363S

(12) **United States Design Patent**
Symons

(10) **Patent No.:** **US D723,363 S**
(45) **Date of Patent:** **** Mar. 3, 2015**

(54) **CABLE MANAGEMENT INSTALLATION TOOL**

(71) Applicant: **Dominic Symons**, Wilkie Edge (SG)

(72) Inventor: **Dominic Symons**, Wilkie Edge (SG)

(73) Assignee: **Bluelounge Pte. Ltd.**, Wilkie Edge (SG)

(**) Term: **14 Years**

(21) Appl. No.: **29/478,572**

(22) Filed: **Jan. 7, 2014**

(51) **LOC (10) Cl.** **08-08**

(52) **U.S. Cl.**
USPC **D8/396**

(58) **Field of Classification Search**
USPC D8/354, 356, 371, 394-396; D19/65,
D19/86; D24/128; 248/74.2, 215, 227.1, 49,
248/300, 301, 316.7, 51, 489; 24/570, 3.12;
D32/61; D11/78.1

See application file for complete search history.

(56) **References Cited**

U.S. PATENT DOCUMENTS

- 1,496,654 A * 6/1924 Crowther 604/220
- 3,186,645 A * 6/1965 Eberlein 239/567
- 3,319,650 A 5/1967 Peterson
- D212,505 S 10/1968 Guerrero
- D270,329 S 8/1983 Hardy
- 4,790,586 A * 12/1988 Stoner, Jr. 294/57
- D299,213 S * 1/1989 Puntillo D8/395
- D302,655 S 8/1989 Sachs
- D309,280 S * 7/1990 Balfanz-Lee D11/215
- D317,352 S * 6/1991 Takeuchi D23/265
- D329,013 S * 9/1992 Stoner, Jr. D8/395
- D329,588 S 9/1992 Michel
- D342,013 S 12/1993 Sachs
- 5,299,367 A * 4/1994 Johnson et al. 34/95
- D347,164 S * 5/1994 Wodka D8/395
- D349,038 S 7/1994 Sachs
- 5,371,991 A * 12/1994 Bechtel et al. 52/686

- 5,474,268 A * 12/1995 Yu 248/61
- D368,567 S * 4/1996 Chase D34/29
- D387,652 S 12/1997 Carlson
- D389,732 S 1/1998 Weishaar
- 5,711,324 A * 1/1998 Johnson et al. 132/252
- D394,201 S * 5/1998 Newell et al. D8/356
- D406,051 S * 2/1999 Ross D8/395
- 5,934,754 A * 8/1999 Raffa 297/392
- D417,141 S * 11/1999 Senninger D8/395
- D426,577 S * 6/2000 Mackey et al. D19/89
- D427,897 S 7/2000 Johnston
- D459,194 S 6/2002 Johansson
- 6,497,258 B1 12/2002 Flannery

(Continued)

FOREIGN PATENT DOCUMENTS

EP 1816099 8/2007

OTHER PUBLICATIONS

Amazon.com, Jan. 6, 2014, Internet printout: <http://www.amazon.com/Amico-Adhesive-Backed-Adjustable-Clamps/dp/B005MN2QHK>.

(Continued)

Primary Examiner — John Windmuller

(74) *Attorney, Agent, or Firm* — Todd R. Miller

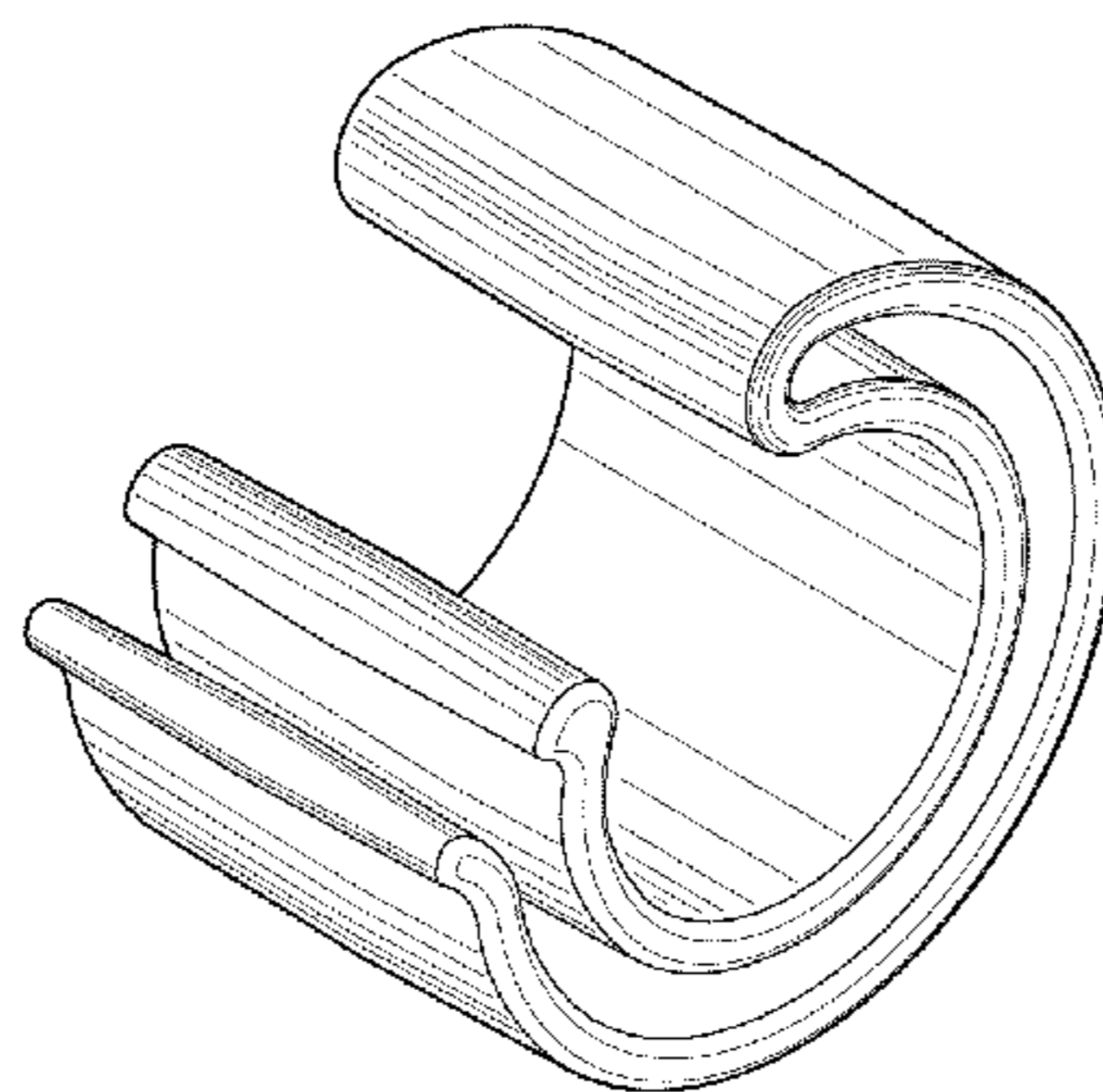
(57) **CLAIM**

The ornamental design for a cable management installation tool, as shown and described.

DESCRIPTION

FIG. 1 is a perspective view of cable management installation tool showing my new design;
FIG. 2 is a front view thereof;
FIG. 3 is a side view thereof;
FIG. 4 is a top view thereof; and,
FIG. 5 is a perspective view thereof in use with optional cable tube and cables, with elements in dashed lines forming no part of the claimed design.

1 Claim, 5 Drawing Sheets



(56)

References Cited

U.S. PATENT DOCUMENTS

D468,699 S 1/2003 Bjorklund et al.
D482,269 S 11/2003 Martello
D484,783 S * 1/2004 Woodhall D8/395
D510,017 S * 9/2005 Messina D8/395
D515,409 S 2/2006 Sorrentino
7,244,145 B2 7/2007 Johnsen
D575,143 S 8/2008 Kuo
D592,509 S * 5/2009 Lecoutre D9/456
7,597,296 B2 * 10/2009 Conway 248/229.16
7,717,738 B2 5/2010 Mabry
D625,985 S 10/2010 Mori
D665,471 S * 8/2012 Fossum et al. D21/753
D670,776 S * 11/2012 Fossum et al. D21/753
D675,505 S 2/2013 Rothbaum
D675,903 S 2/2013 Rothbaum

8,398,424 B1 3/2013 Vasavda
D679,581 S 4/2013 Liu
2013/0097816 A1 4/2013 Rothbaum
2013/0305495 A1 11/2013 Umemoto

OTHER PUBLICATIONS

Customaccents.com, Jan. 6, 2014, Internet printout: <http://www.customaccents.com/index.php/products/wire-management/round-leg/>.
Leinuoer.com, Jan. 6, 2014, Internet printout: <http://www.leinuoer.com/en/LNE-Y.asp>.
Summit.com, Jan. 6, 2014, Internet printout: <https://www.summit.com/blog/new-wire-management-solutions-from-ilsco>.
Te.com, Jan. 6, 2014, Internet printout: <http://www.te.com/ns/enterprise/anz/cat/detail.asp?strProductNumber=6450%202%20016-00&strSol=Cable%20Management%20Solutions>.

* cited by examiner

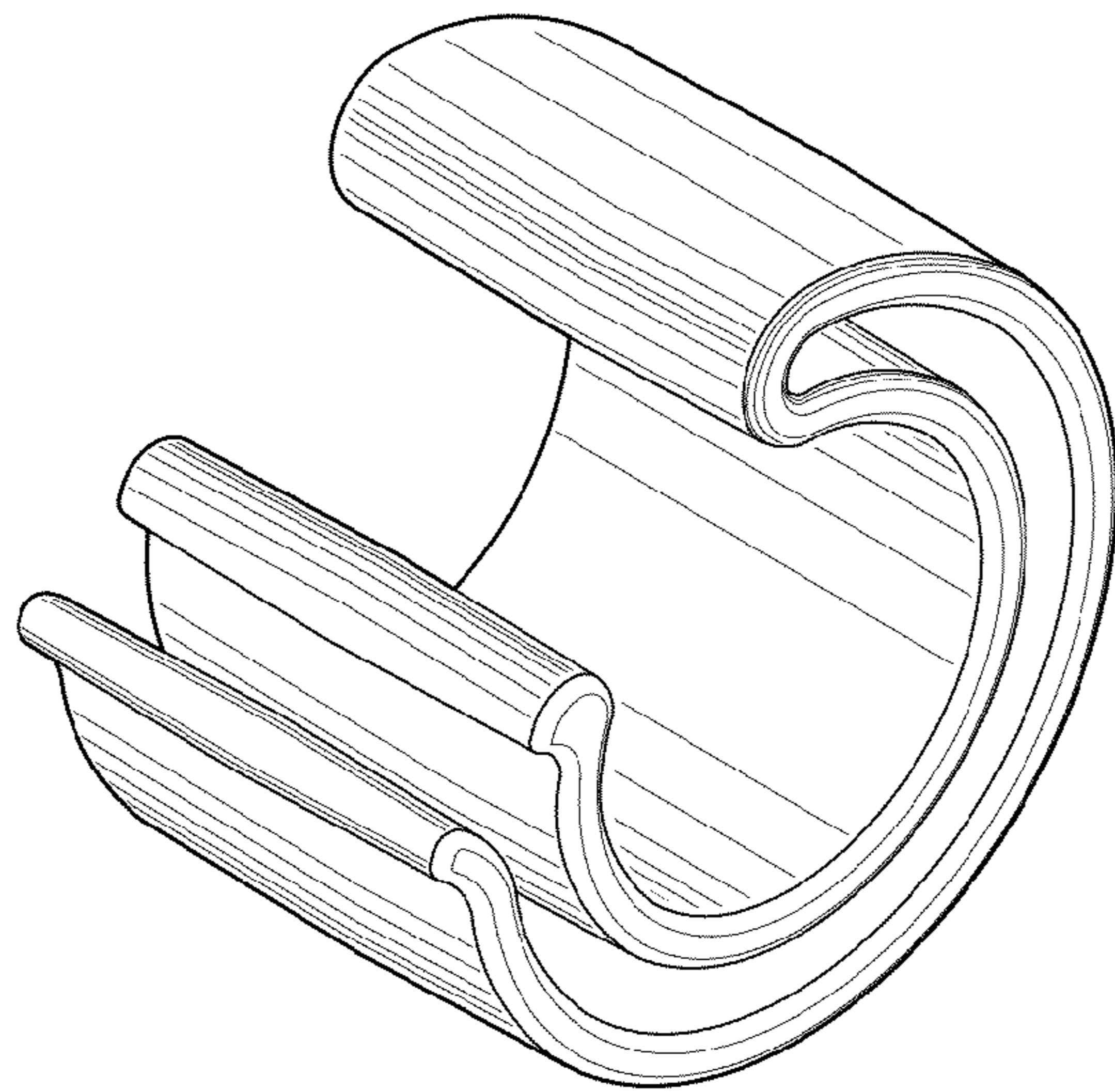


FIG. 1

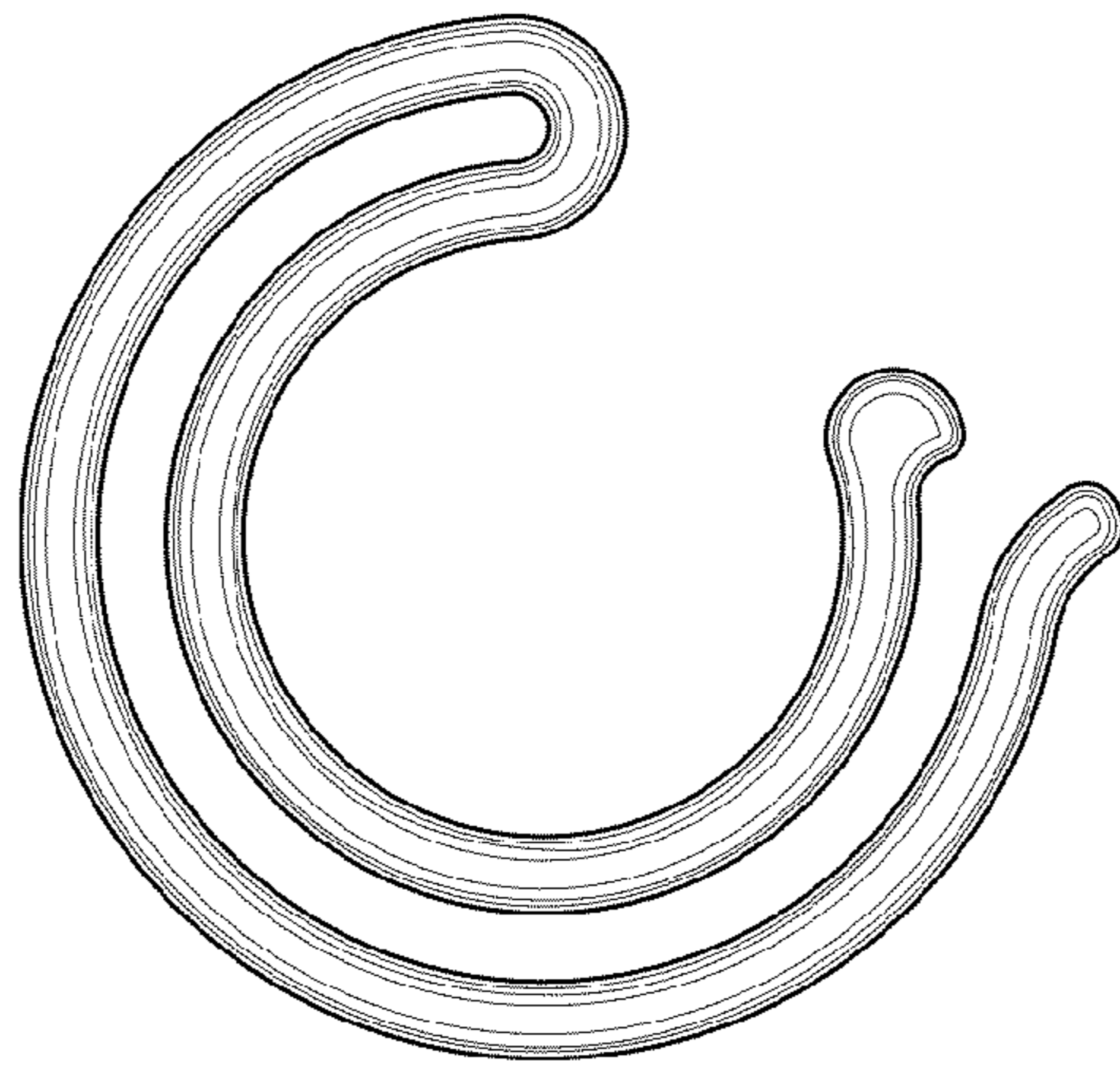


FIG. 2

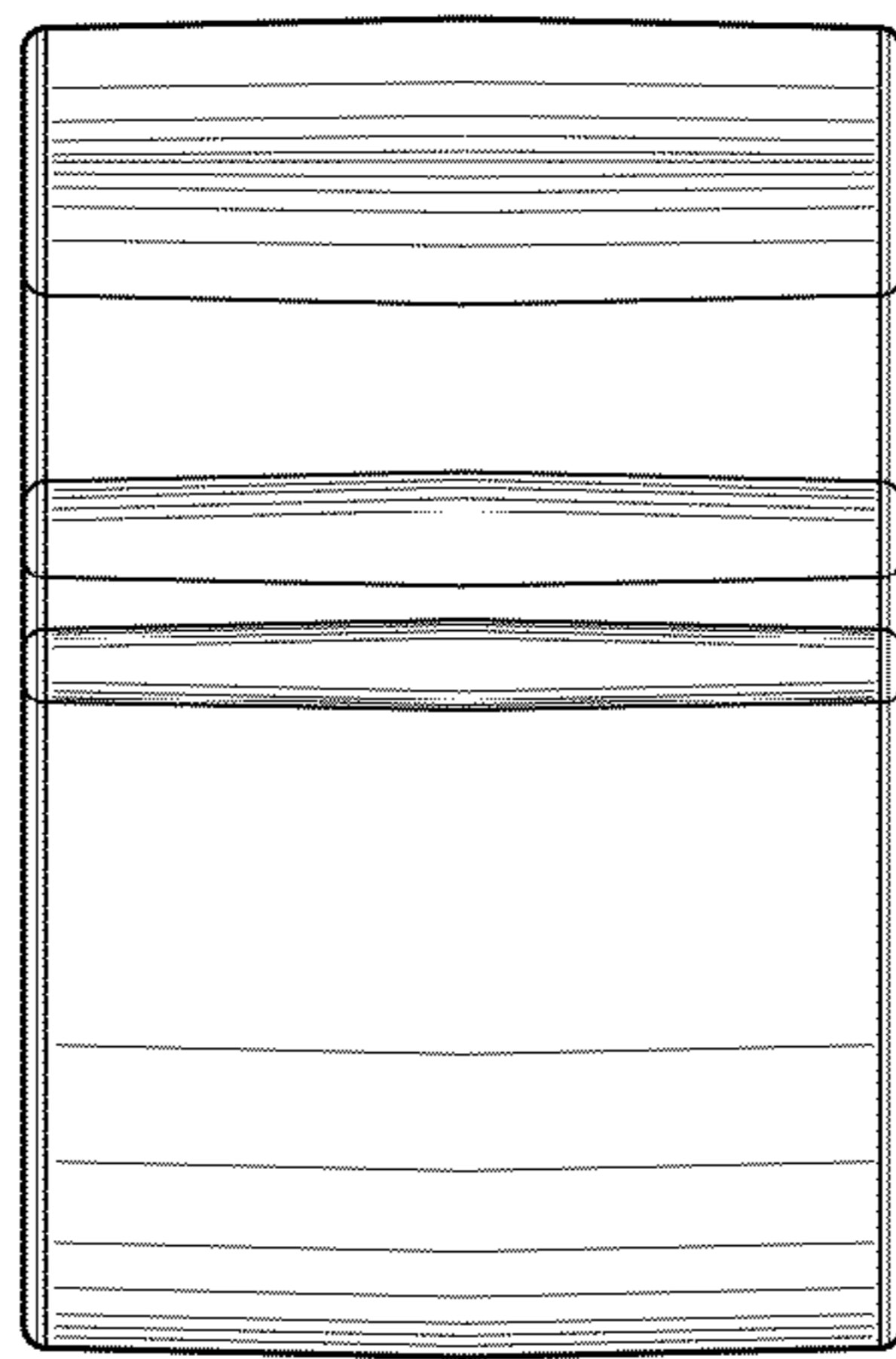


FIG. 3

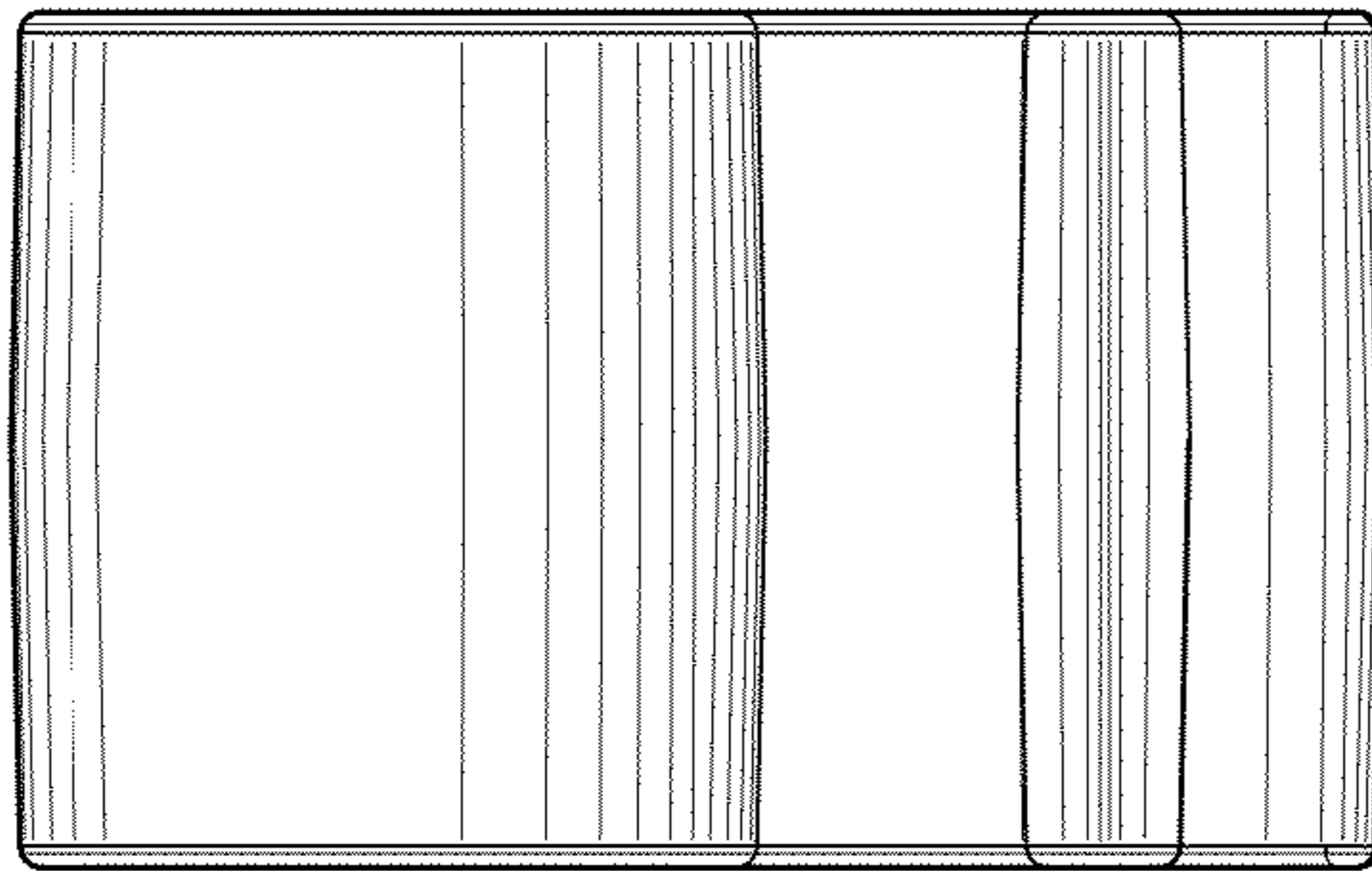


FIG. 4

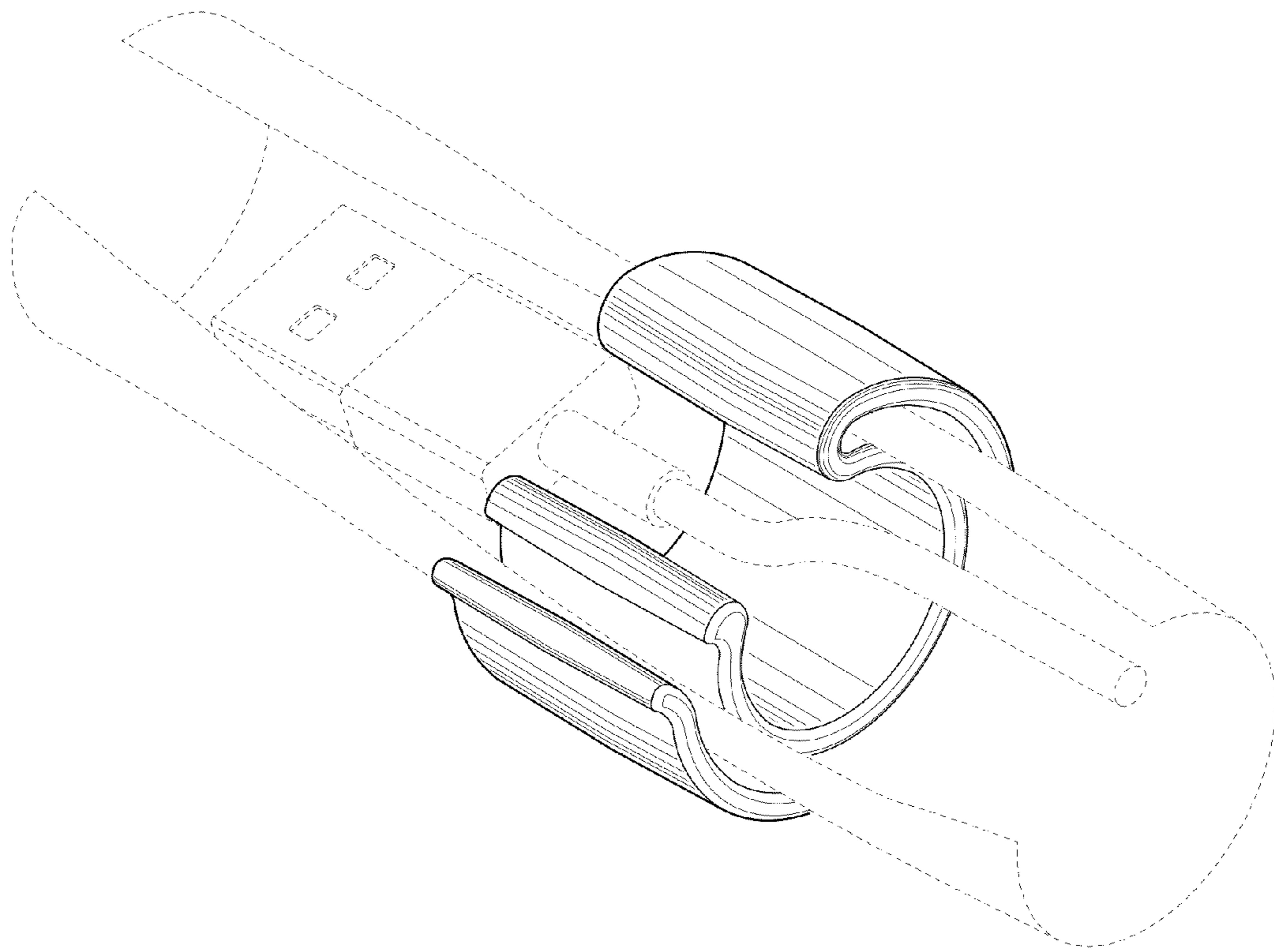


FIG. 5