



US00D723362S

(12) **United States Design Patent**  
**Bacon**

(10) **Patent No.:** **US D723,362 S**  
(45) **Date of Patent:** **\*\* Mar. 3, 2015**

- (54) **SIDE LOADING PIPE HANGER**
- (71) Applicant: **Gripple Limited**, Sheffield (GB)
- (72) Inventor: **Matthew Bacon**, Sheffield (GB)
- (73) Assignee: **Gripple Limited** (GB)
- (\*\*) Term: **14 Years**
- (21) Appl. No.: **29/465,950**
- (22) Filed: **Sep. 3, 2013**
- (51) **LOC (10) Cl.** ..... **08-08**
- (52) **U.S. Cl.**  
USPC ..... **D8/396**
- (58) **Field of Classification Search**  
USPC ..... D8/354, 355, 356, 371, 373, 376,  
D8/394-396, 380, 382; 24/16 R, 20 R;  
248/49, 58-62, 74.1-74.5, 73, 70,  
248/228.8, 230.8; 47/32.4-32.6, 42  
See application file for complete search history.

(56) **References Cited**

**U.S. PATENT DOCUMENTS**

- D187,842 S \* 5/1960 Jeys ..... D3/16
- 4,783,029 A \* 11/1988 Geppert et al. .... 248/74.1
- 6,138,960 A \* 10/2000 Carbonare et al. .... 248/62
- D449,210 S \* 10/2001 Fange ..... D8/72
- D625,586 S \* 10/2010 Kramer ..... D8/380

- 7,909,021 B2 \* 3/2011 Fujii ..... 123/470
- D653,103 S \* 1/2012 Tomasi et al. .... D8/396
- D653,530 S \* 2/2012 Hammond et al. .... D8/396
- D665,247 S \* 8/2012 Hammond et al. .... D8/396
- 2013/0310768 A1 \* 11/2013 Ebara et al. .... 604/250

\* cited by examiner

*Primary Examiner* — John Windmuller

(74) *Attorney, Agent, or Firm* — Clark Hill PLC

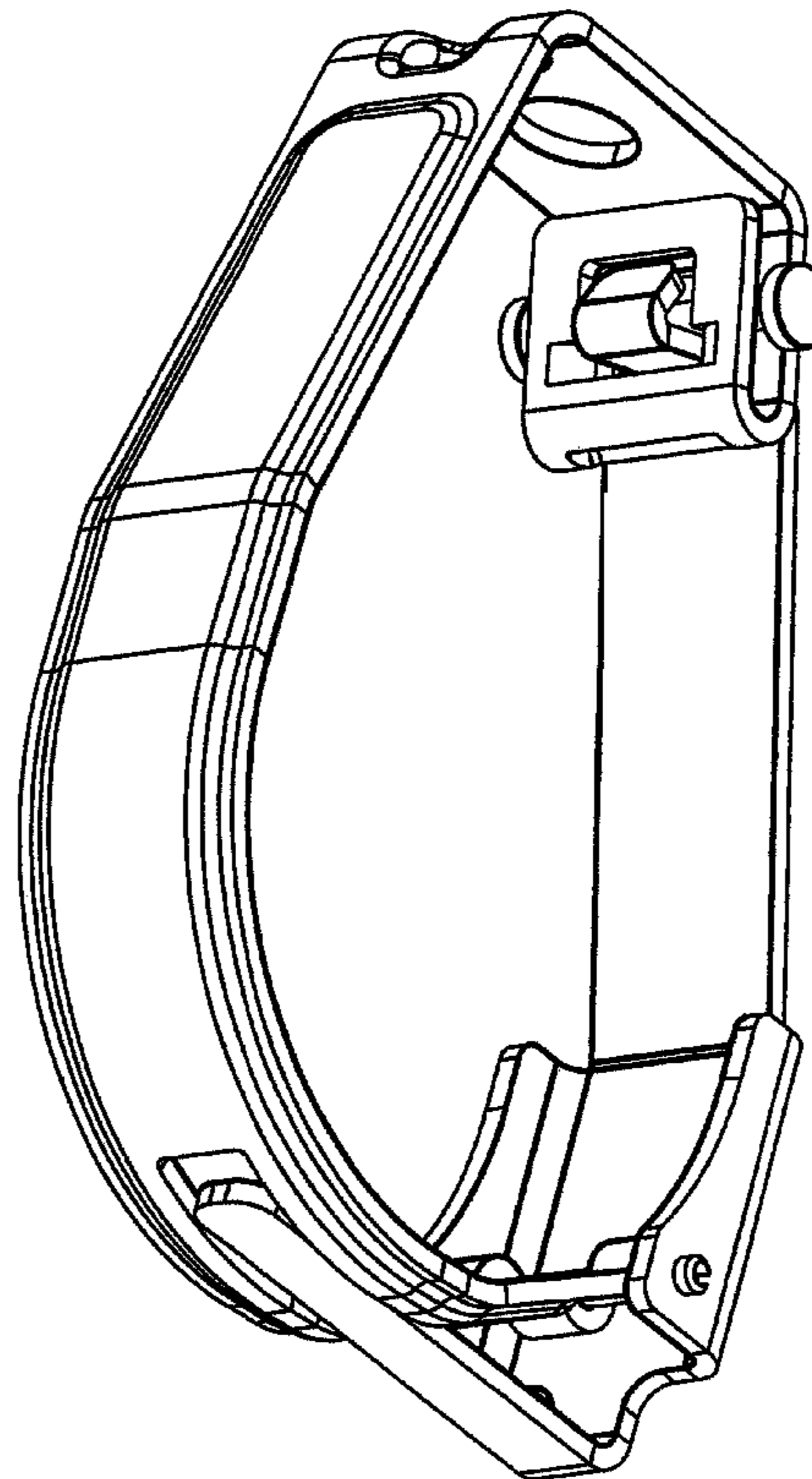
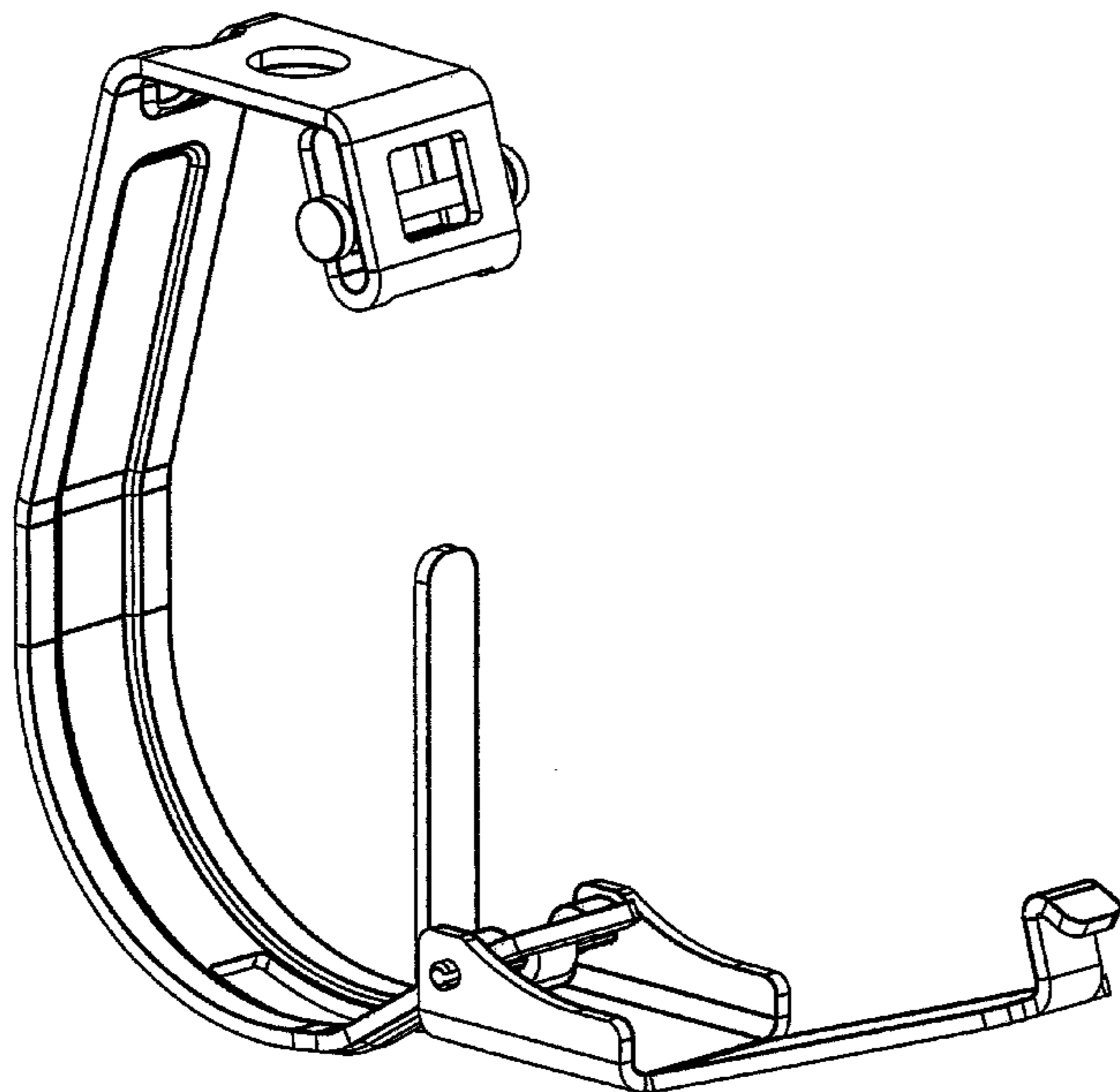
(57) **CLAIM**

The ornamental design for a side loading pipe hanger, as shown and described.

**DESCRIPTION**

FIG. 1 is a front view of the side loading pipe hanger in the open position;  
 FIG. 2 is a side view of the side loading pipe hanger in the open position;  
 FIG. 3 is a side view of the side loading pipe hanger in the closed position;  
 FIG. 4 is a perspective front and top view of the side loading pipe hanger in the open position;  
 FIG. 5 is a perspective front and top view of the side loading pipe hanger in the closed position;  
 FIG. 6 is a perspective rear and bottom view of the side loading pipe hanger in the open position; and,  
 FIG. 7 is a perspective rear and bottom view of the side loading pipe hanger in the closed position.

**1 Claim, 7 Drawing Sheets**



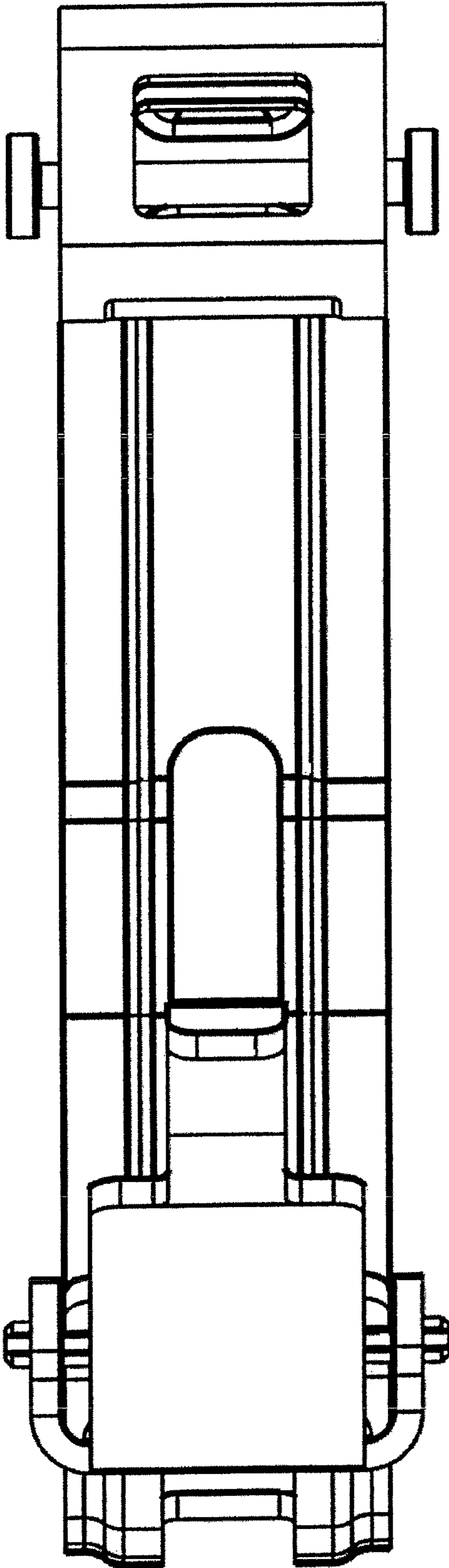


FIGURE 1

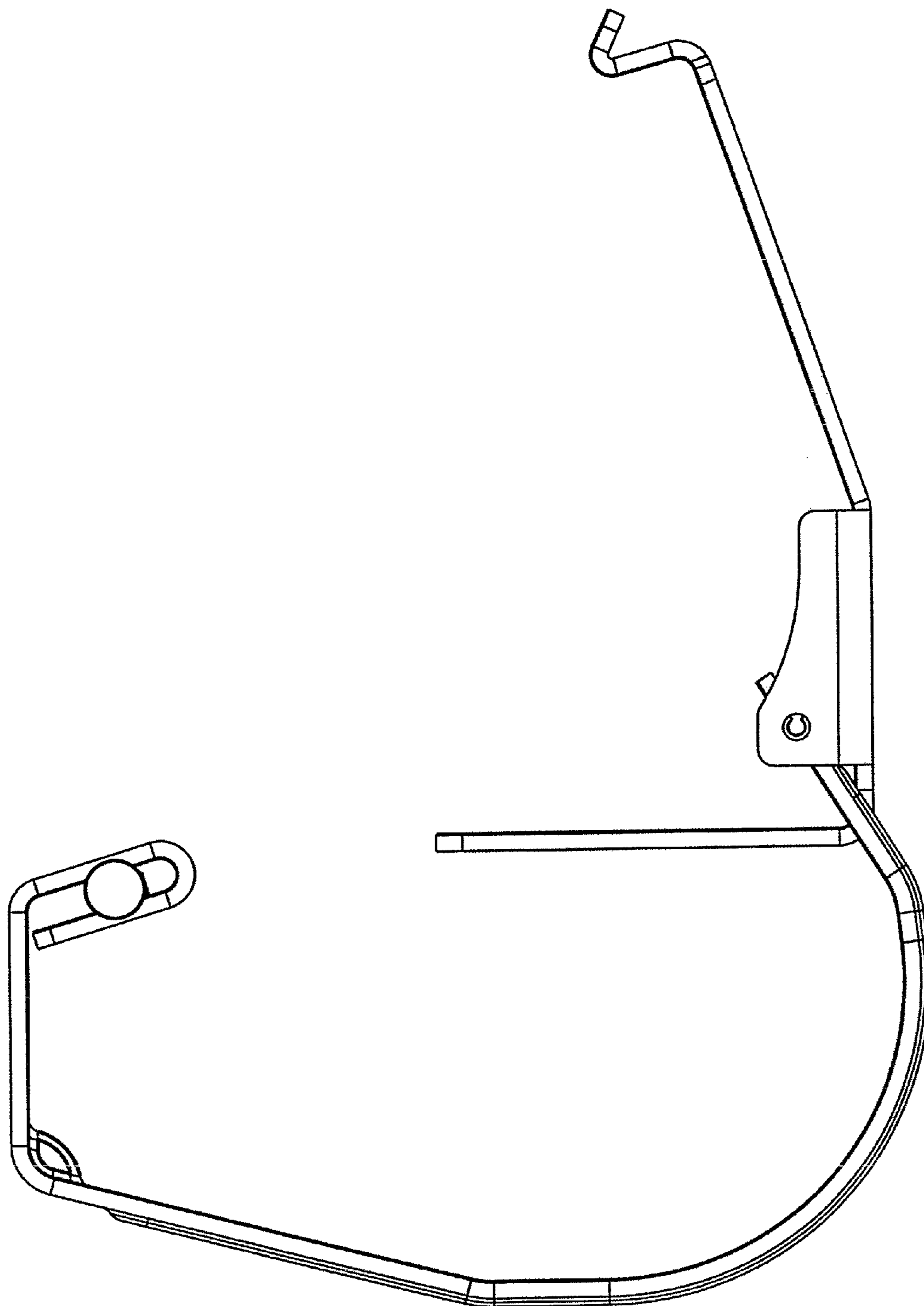


FIGURE 2

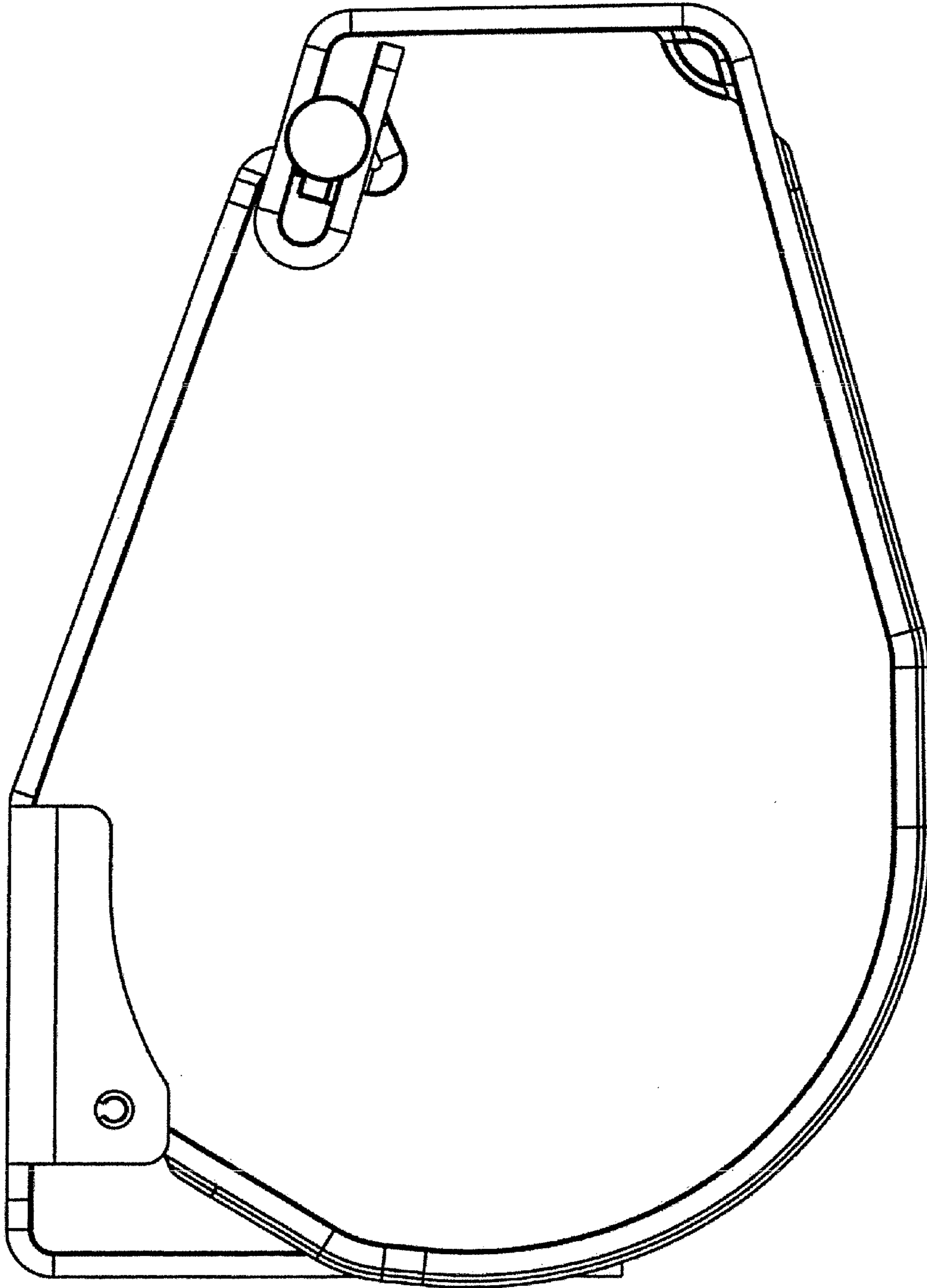


FIGURE 3

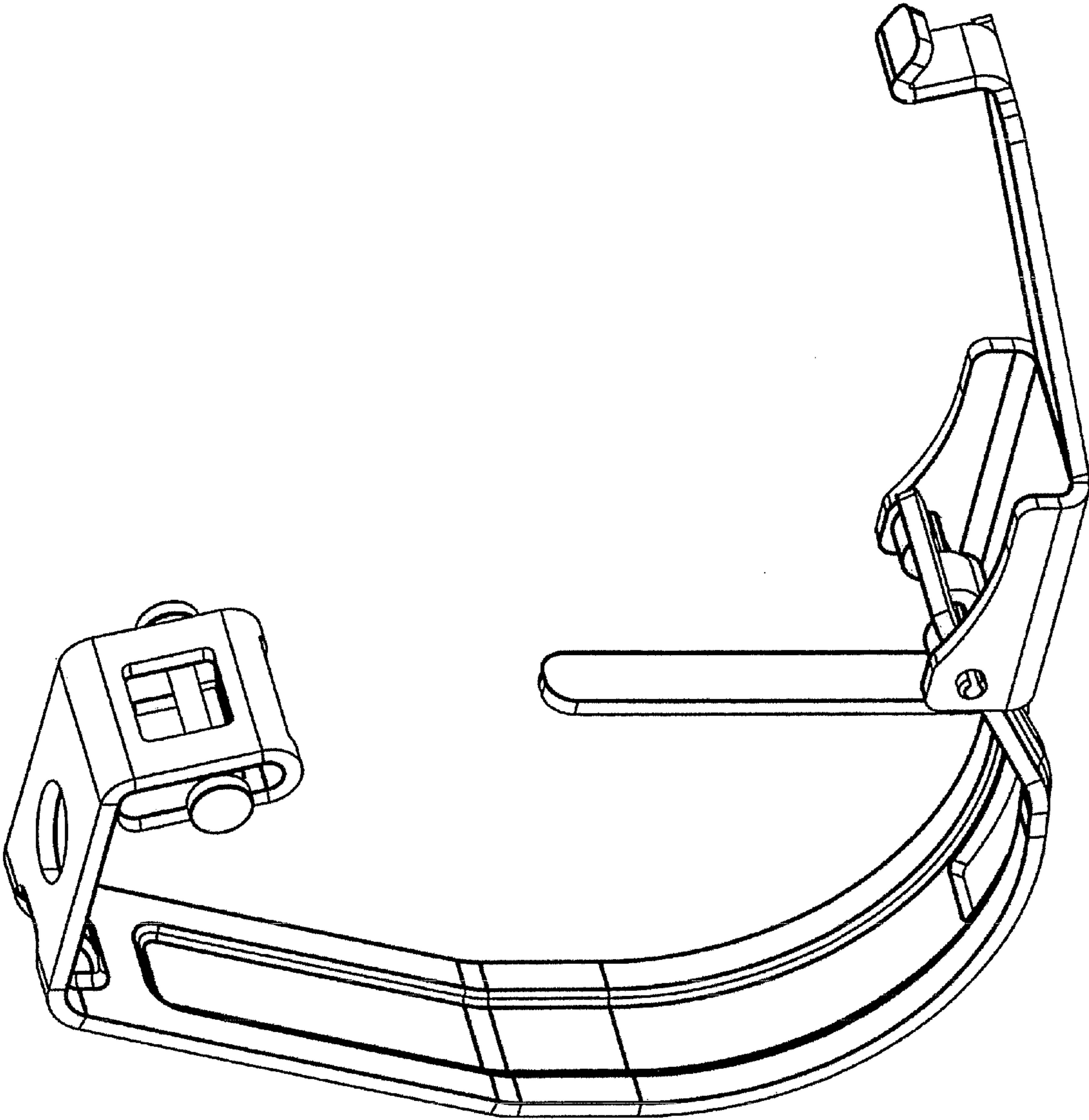


FIGURE 4

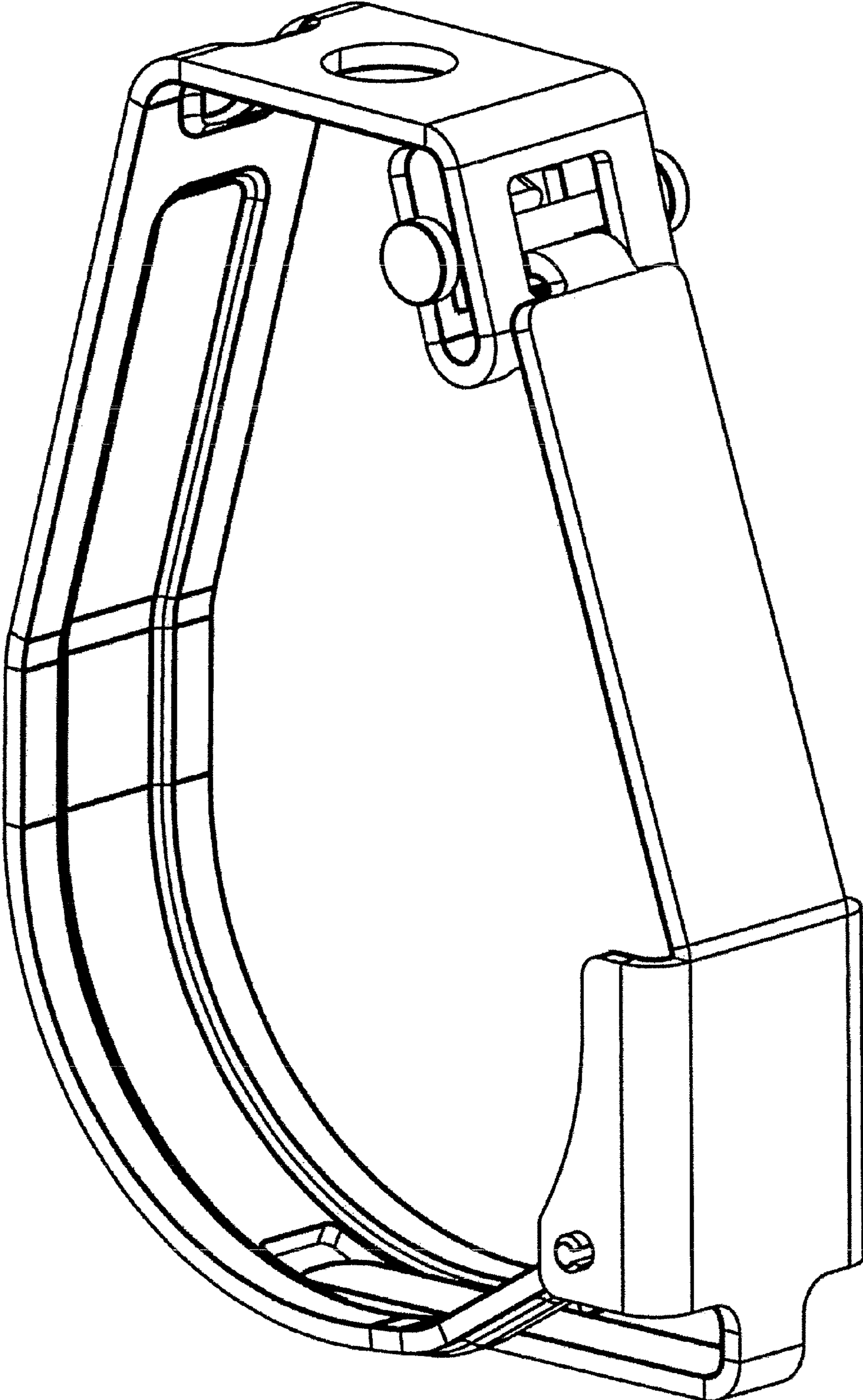


FIGURE 5

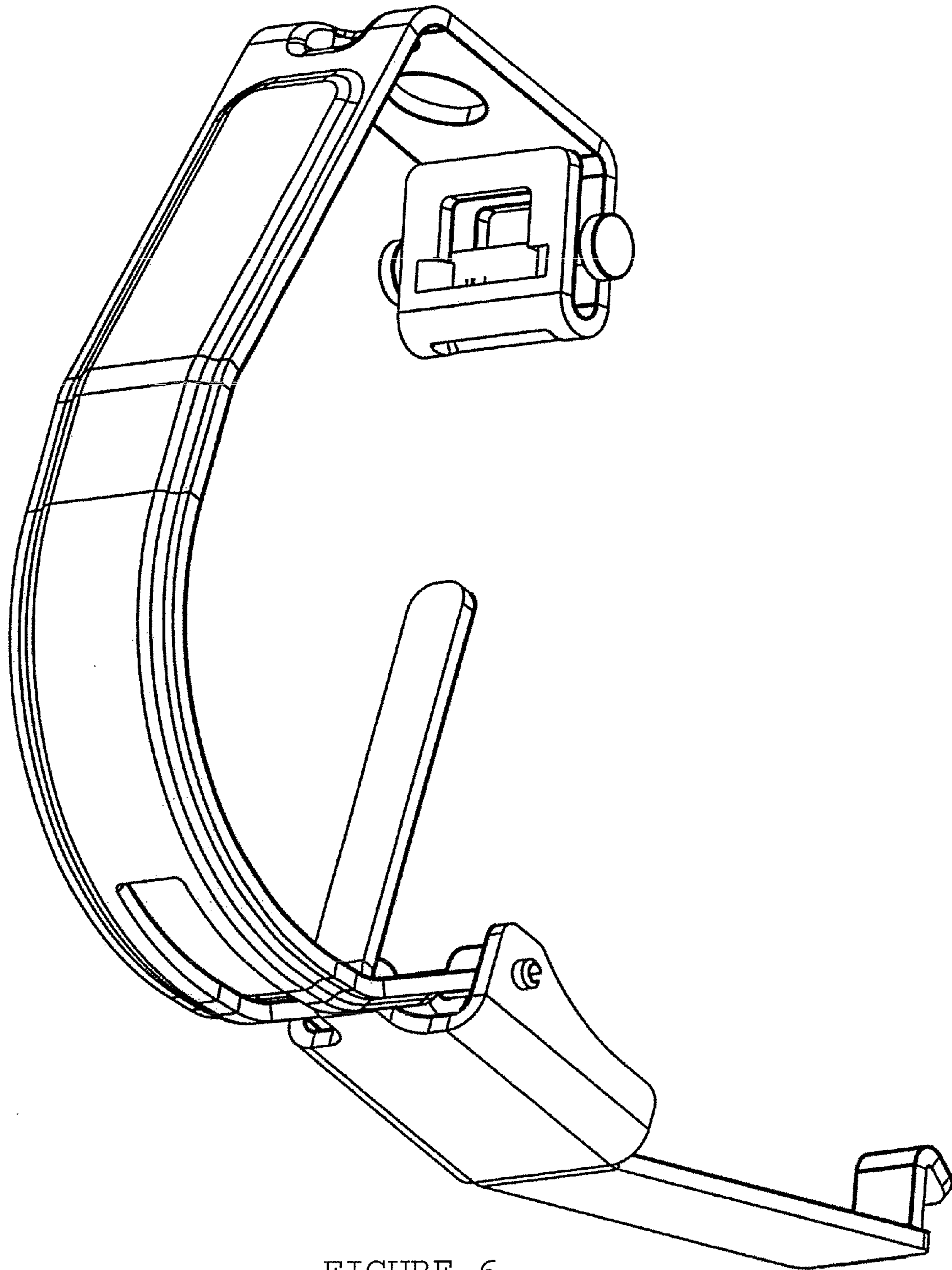


FIGURE 6

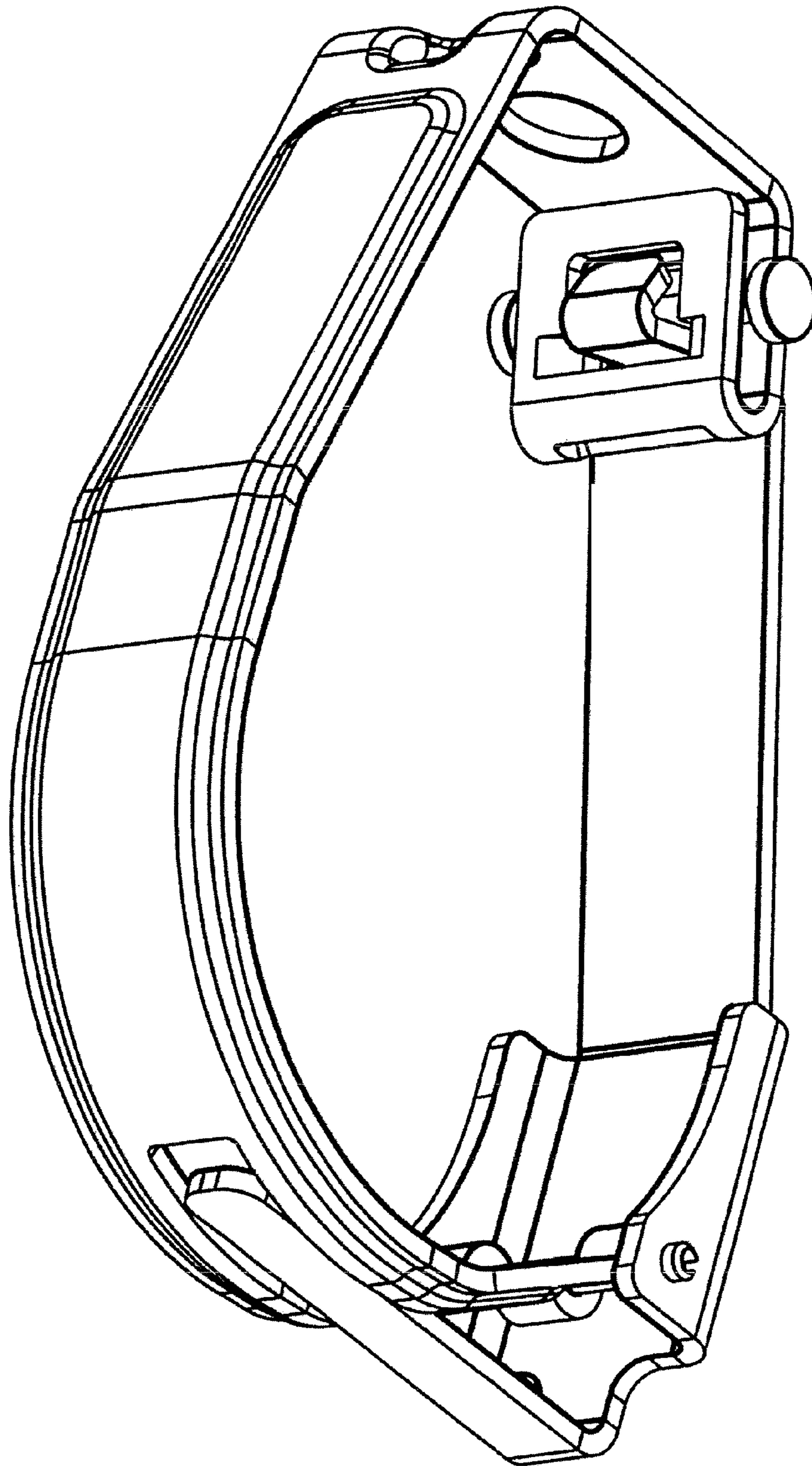


FIGURE 7