



US00D723361S

(12) **United States Design Patent**  
**Adams**

(10) **Patent No.:** **US D723,361 S**  
(45) **Date of Patent:** **\*\* \*Mar. 3, 2015**

- (54) **OFFSET CABLE TIE**
- (71) Applicant: **HellermannTyton Corporation,**  
Milwaukee, WI (US)
- (72) Inventor: **Scott J. Adams,** Menomonee Falls, WI  
(US)
- (73) Assignee: **HellermannTyton Corporation,**  
Milwaukee, WI (US)
- (\*) Notice: This patent is subject to a terminal disclaimer.
- (\*\*) Term: **14 Years**
- (21) Appl. No.: **29/448,022**
- (22) Filed: **Mar. 8, 2013**
- (51) **LOC (10) Cl.** ..... **08-08**
- (52) **U.S. Cl.**  
USPC ..... **D8/383; D8/395**
- (58) **Field of Classification Search**  
USPC ..... **D8/383, 396, 395; 24/16 PB, 30.5 P,**  
**24/17 AP; 248/71, 73, 74.3**  
See application file for complete search history.

7,661,633	B2 *	2/2010	Igarashi et al.	248/74.3
7,686,259	B2	3/2010	Caveney et al.	
7,753,321	B2 *	7/2010	Geiger	248/74.3
7,770,852	B2	8/2010	Caveney	
7,775,484	B2 *	8/2010	Gunzburger	248/74.3
8,177,173	B2	5/2012	Spieß	
8,282,047	B2	10/2012	Franks	
2006/0265840	A1	11/2006	Thompson et al.	
2007/0057124	A1	3/2007	Kwilosz	

**OTHER PUBLICATIONS**

Catalog pages from Avery Dennison catalog, Specialty Ties and Mount Ties, Year 2002, 2 pages.  
 Catalog pages from Delphi catalog, Clips <http://connectors.delphi.com>, Dated Aug. 6, 2003, 3 pages.  
 Catalog from Avery Dennison, Application Specific Fasteners, [www.fastener.averydennison.com](http://www.fastener.averydennison.com), Year 2006, 4 pages.

\* cited by examiner

*Primary Examiner* — Sheryl Lane

(74) *Attorney, Agent, or Firm* — Ryan Kromholz & Manion, S.C.

(57) **CLAIM**

The ornamental design for an offset cable tie, as shown and described.

**DESCRIPTION**

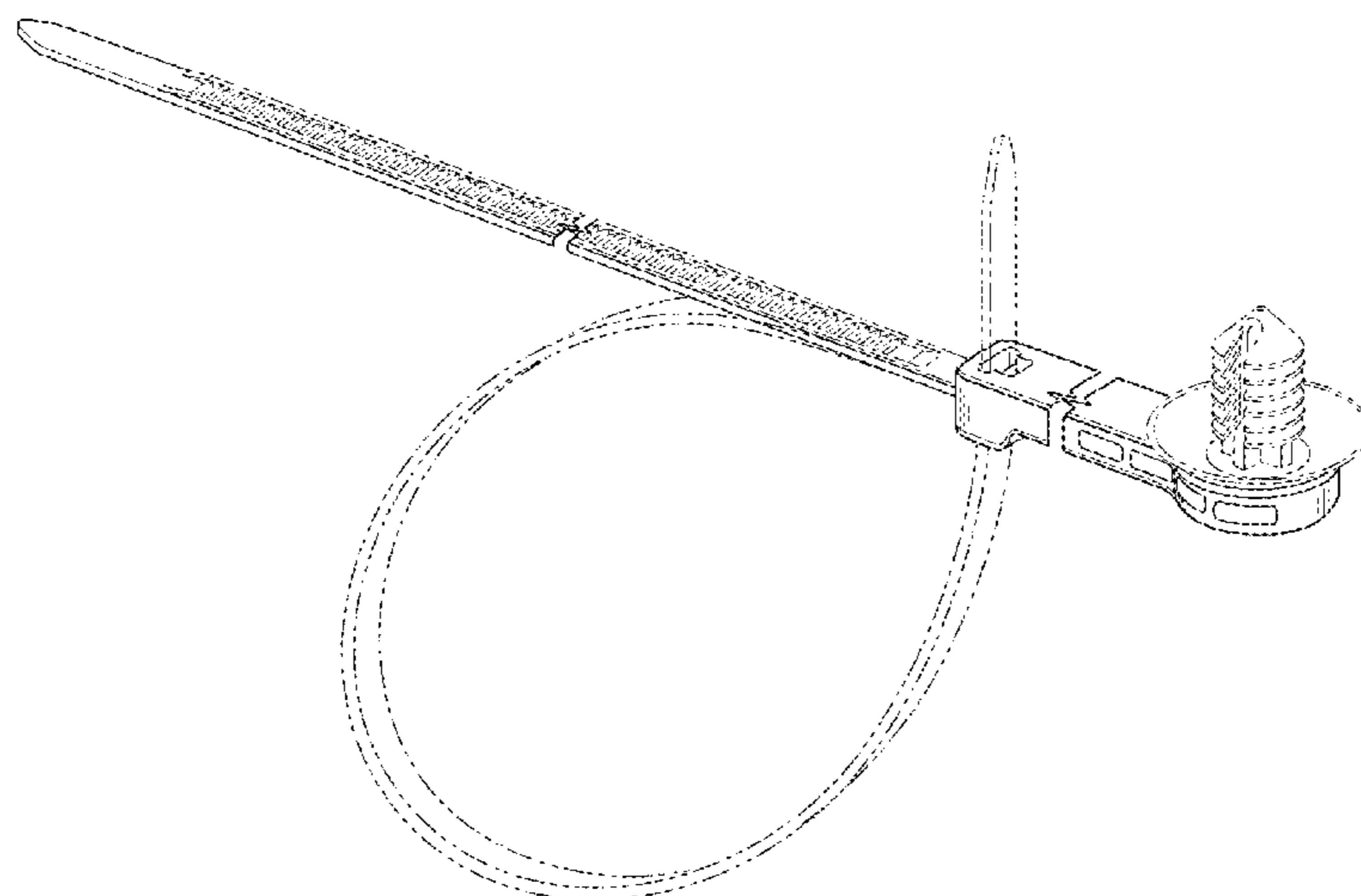
FIG. 1 is a perspective view of the offset cable tie;  
 FIG. 2 is a right side elevation view thereof;  
 FIG. 3 is a left side elevation view thereof;  
 FIG. 4 is a top plan view thereof;  
 FIG. 5 is a bottom plan view thereof;  
 FIG. 6 is a front end elevation view thereof; and,  
 FIG. 7 is a back end elevation view thereof.  
 The broken lines represent portions of the article and form no part of the claimed design.  
 The offset cable tie is shown with a symbolic break. Any portion between the break lines forms no part of the claimed design.

**1 Claim, 2 Drawing Sheets**

(56) **References Cited**

**U.S. PATENT DOCUMENTS**

3,257,694	A *	6/1966	Litwin	24/16 PB
4,875,647	A *	10/1989	Takagi et al.	248/74.3
5,131,613	A *	7/1992	Kamiya et al.	248/74.3
5,584,452	A *	12/1996	Koike	248/74.3
5,803,413	A *	9/1998	Benoit et al.	248/73
5,921,510	A	7/1999	Benoit et al.	
6,076,781	A	6/2000	Kraus	
6,186,451	B1	2/2001	Benoit	
6,196,751	B1	3/2001	Khokhar	
6,749,157	B2 *	6/2004	Takeuchi	248/71
7,229,052	B2 *	6/2007	Takeuchi	248/71
7,316,375	B2 *	1/2008	Wakabayashi et al.	248/71
7,360,744	B2	4/2008	Kwilosz	
7,600,724	B2	10/2009	Nelson et al.	



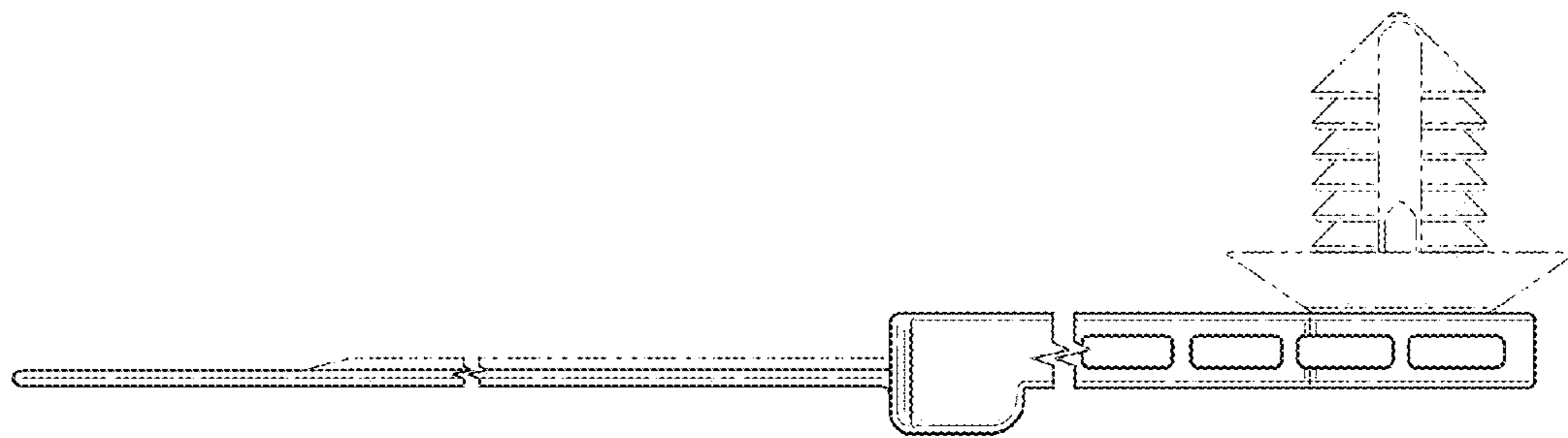
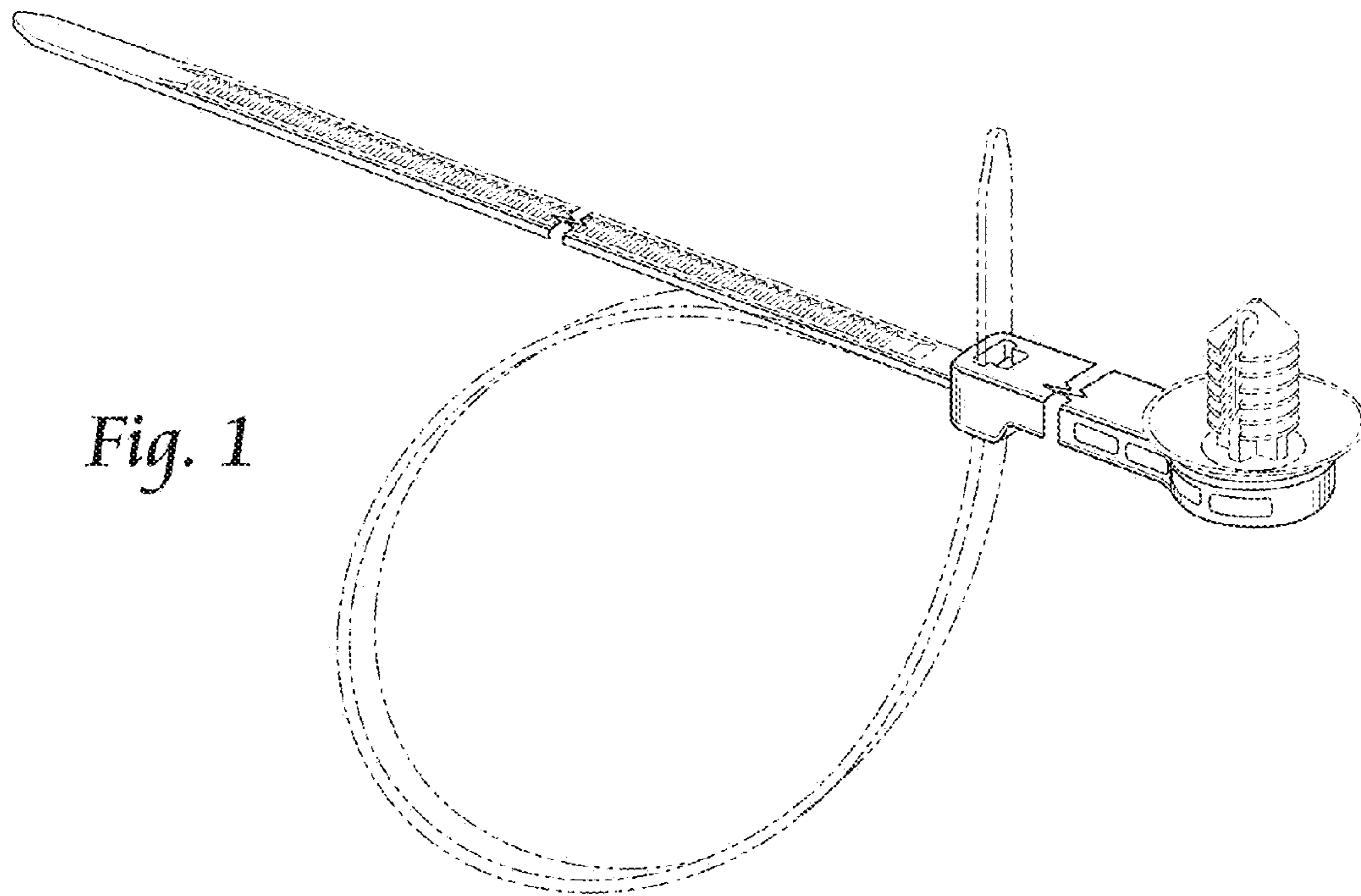


Fig. 2

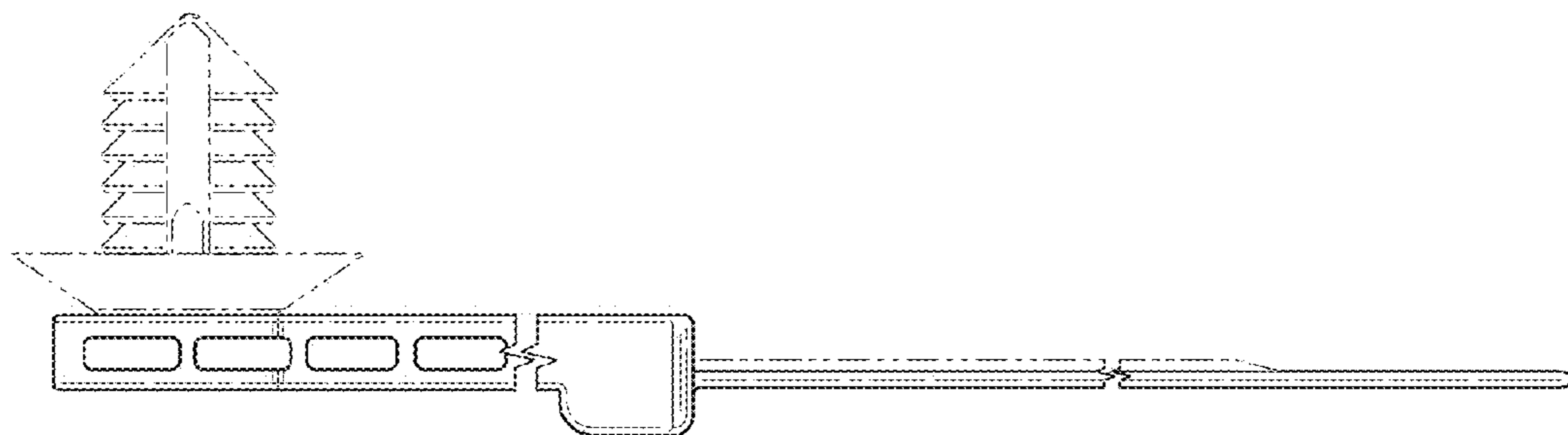
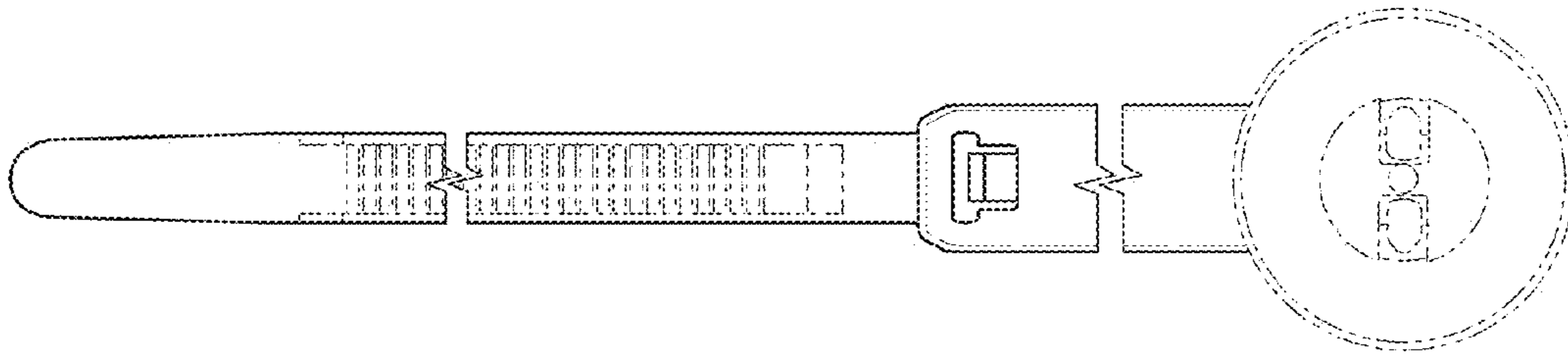
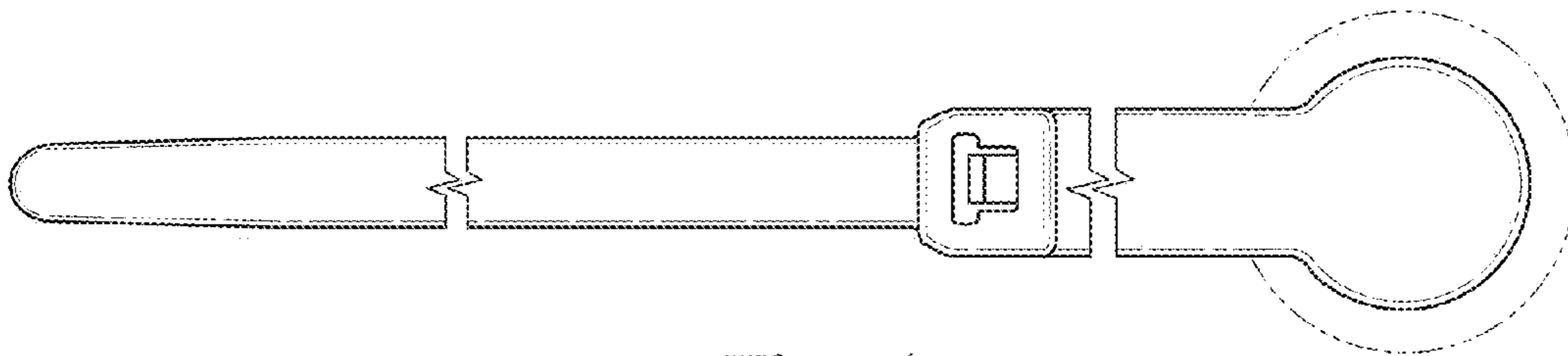


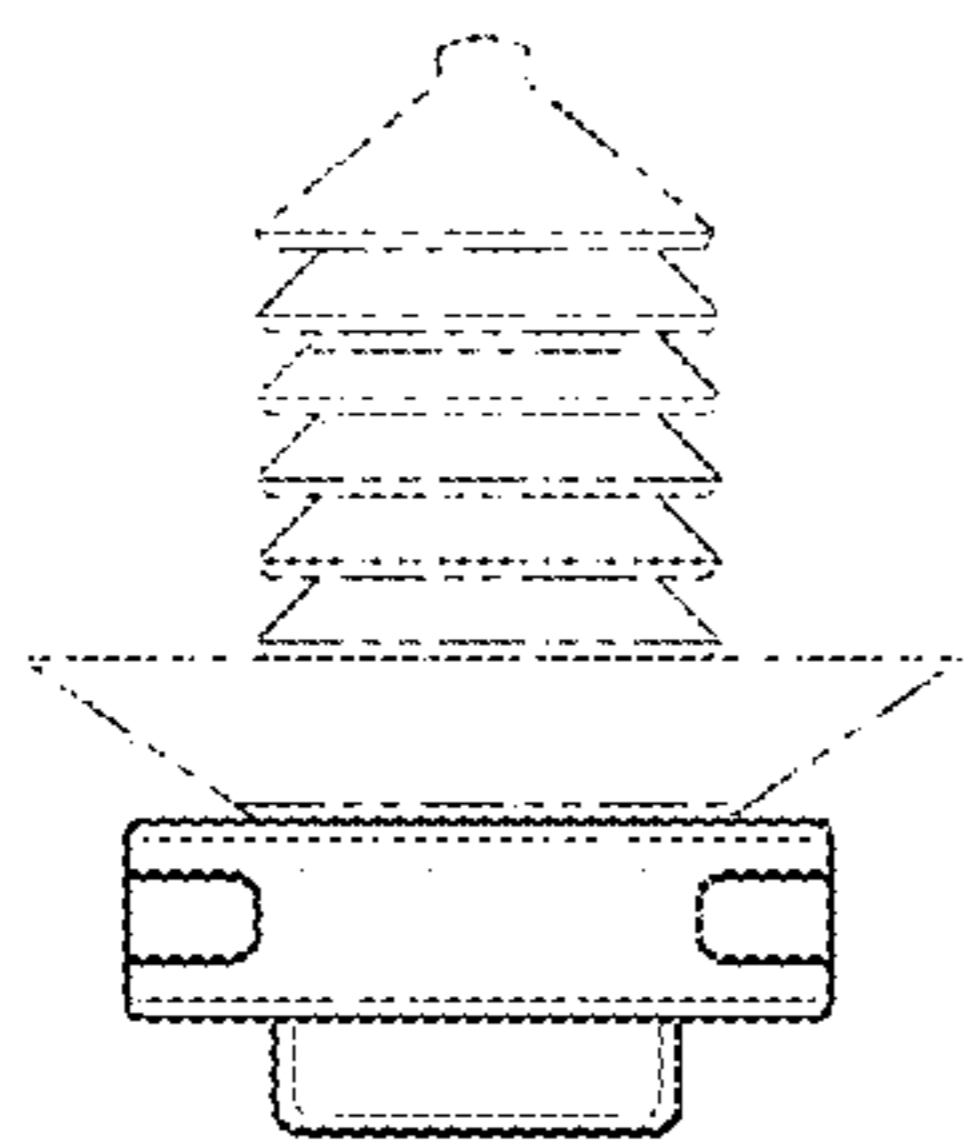
Fig. 3



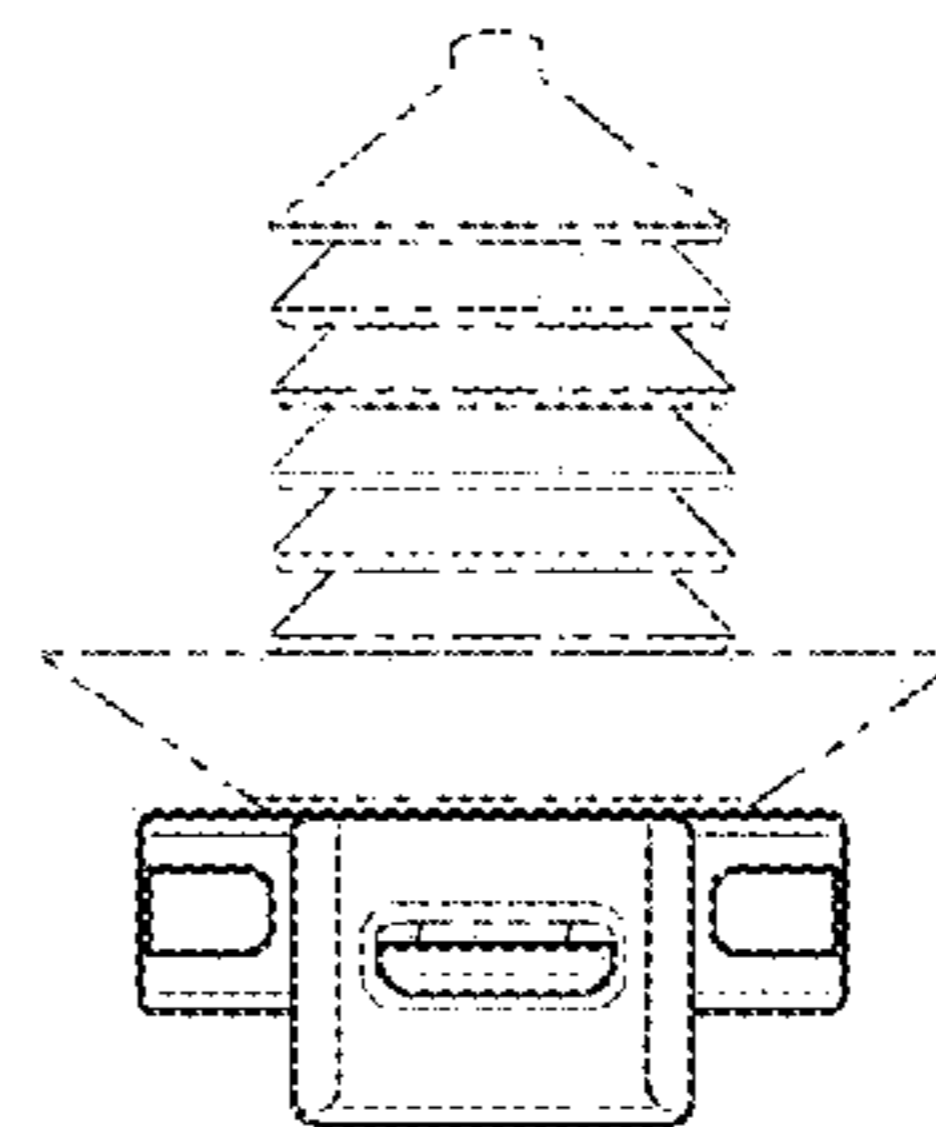
*Fig. 4*



*Fig. 5*



*Fig. 6*



*Fig. 7*