



US00D723360S

(12) **United States Design Patent**
McShane

(10) **Patent No.:** **US D723,360 S**
(45) **Date of Patent:** **** Mar. 3, 2015**

- (54) **SHEET PILE CONNECTOR**
- (71) Applicant: **PilePro LLC**, Creedmoor, Austin, TX (US)
- (72) Inventor: **Gerry McShane**, Bernardsville, NJ (US)
- (73) Assignee: **PilePro LLC**, Austin, TX (US)
- (**) Term: **14 Years**
- (21) Appl. No.: **29/493,467**
- (22) Filed: **Jun. 10, 2014**

D521,364	S	*	5/2006	Wall	D8/382
D526,888	S	*	8/2006	Heindl	D8/382
D542,633	S	*	5/2007	Heindl	D8/382
D623,932	S	*	9/2010	Austro	D8/382
7,955,029	B2	*	6/2011	Heindl	405/274
D649,443	S	*	11/2011	Heindl	D8/382
8,066,453	B2	*	11/2011	Heindl	405/274

- (30) **Foreign Application Priority Data**
Dec. 13, 2013 (EM) 001393391-0001
- (51) **LOC (10) Cl.** **08-08**
- (52) **U.S. Cl.**
USPC **D8/382**
- (58) **Field of Classification Search**
USPC D8/382, 394-395; D25/121, 119, 61;
405/274, 277, 278-279; 24/370, 346,
24/573.09
See application file for complete search history.

FOREIGN PATENT DOCUMENTS

JP 1365137 7/2009

* cited by examiner

Primary Examiner — Sheryl Lane

(74) *Attorney, Agent, or Firm* — Merchant & Gould P.C.

(57) **CLAIM**

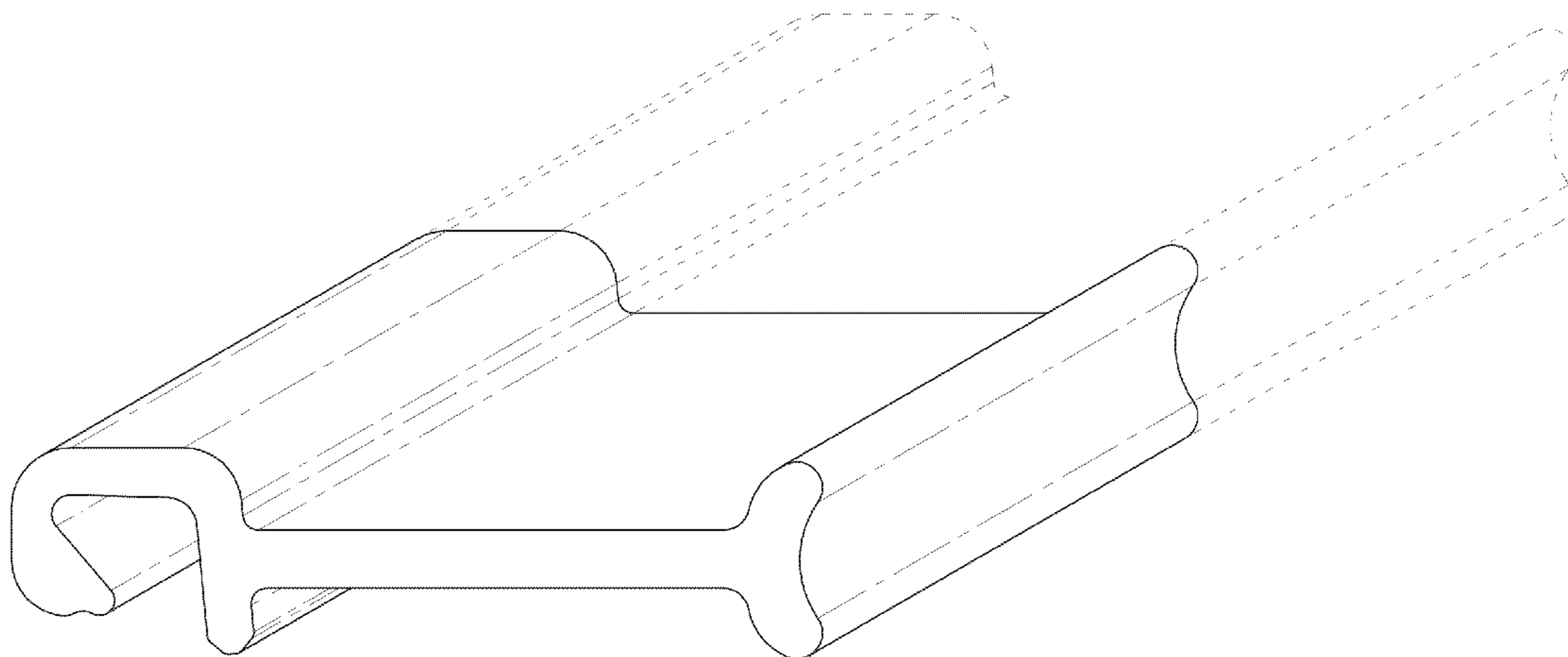
The ornamental design for a sheet pile connector, as shown and described.

DESCRIPTION

FIG. 1 is a perspective view of the sheet pile connector for connecting sheet piles according to my design;
 FIG. 2 is an end view of the sheet pile connector of FIG. 1, the opposite end view being a mirror image thereof;
 FIG. 3 is a right side view of the sheet pile connector of FIG. 1;
 FIG. 4 is a left side view of the sheet pile connector of FIG. 1;
 FIG. 5 is a top view of the sheet pile connector of FIG. 1; and,
 FIG. 6 is a bottom view of the sheet pile connector of FIG. 1.
 The broken lines represent environment and form no part of the claimed design.

- (56) **References Cited**
U.S. PATENT DOCUMENTS
D379,299 S * 5/1997 Fitzgibbons D8/402
6,428,244 B1 * 8/2002 Wall 405/279
D520,350 S * 5/2006 Wall D8/382

1 Claim, 6 Drawing Sheets



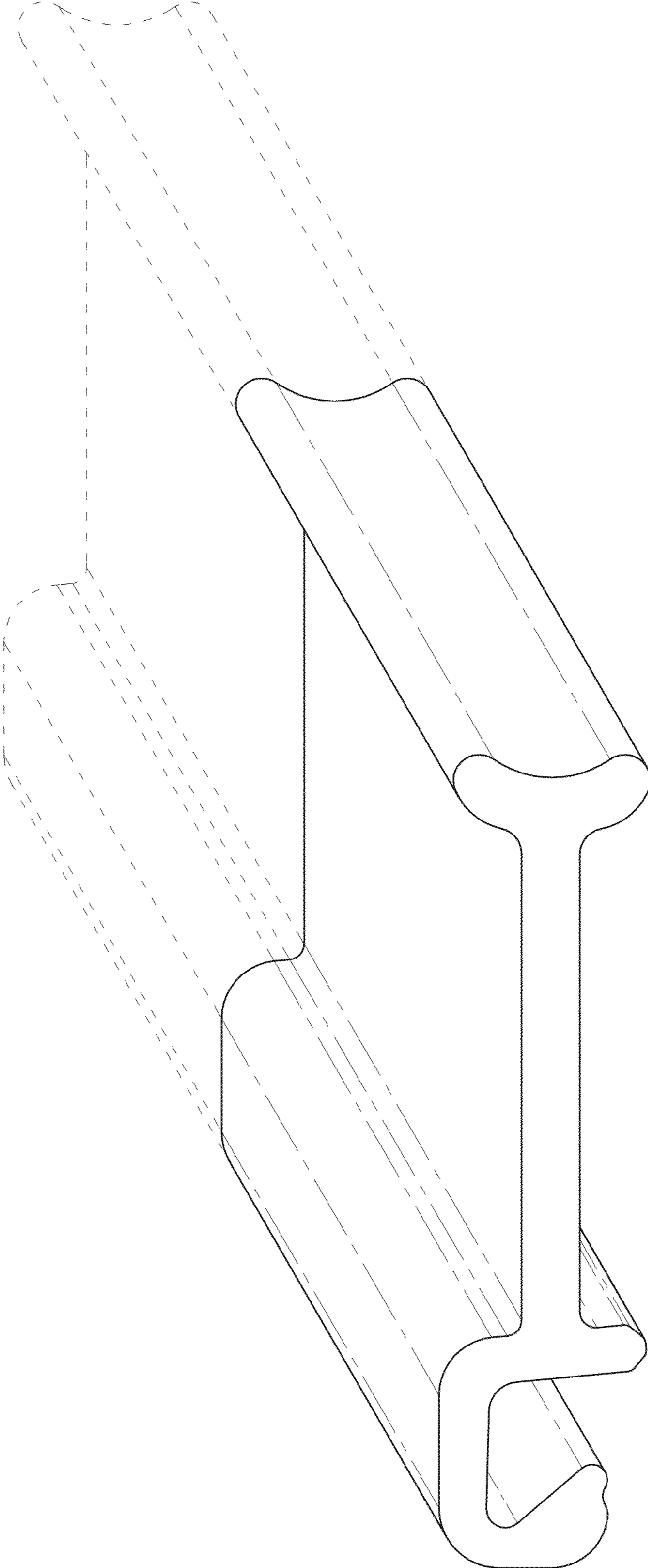


FIG. 1

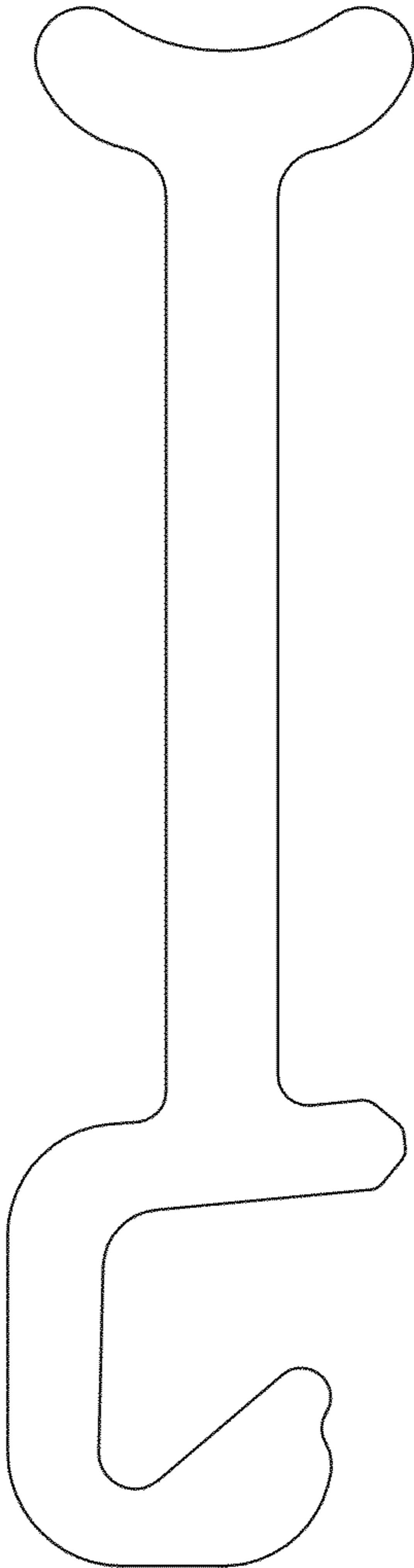
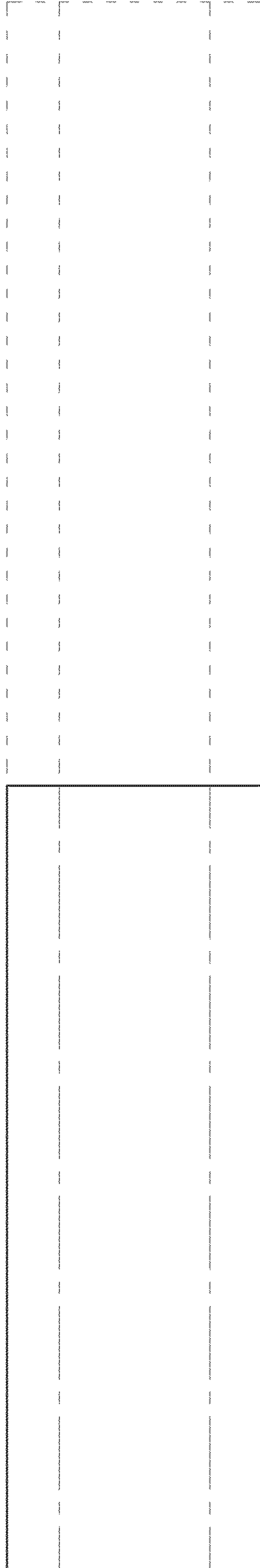


FIG. 2

FIG. 3



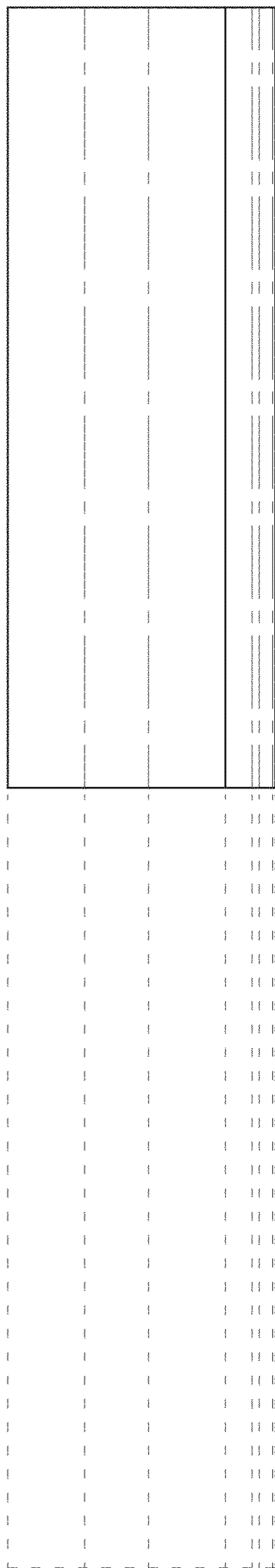


FIG. 4

FIG. 5

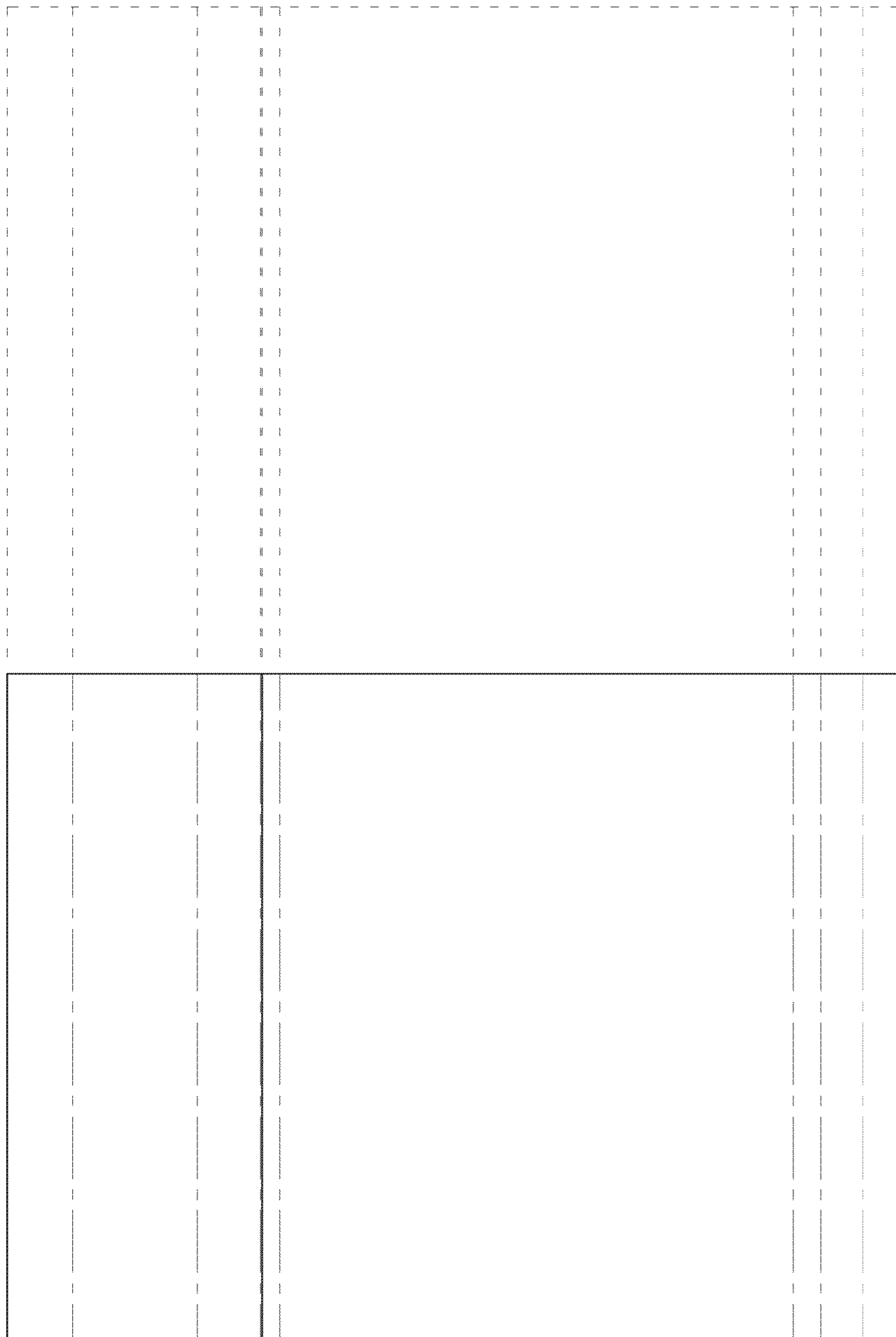


FIG. 6

