

US00D723356S

(12) **United States Design Patent**
Simon

(10) **Patent No.:** **US D723,356 S**
(45) **Date of Patent:** **** Mar. 3, 2015**

- (54) **DOWNSPOUT STAKE**
- (76) Inventor: **Thomas Simon**, Milwaukee, WI (US)
- (**) Term: **14 Years**
- (21) Appl. No.: **29/411,232**
- (22) Filed: **Jan. 18, 2012**
- (51) **LOC (10) Cl.** **08-05**
- (52) **U.S. Cl.**
USPC **D8/373**
- (58) **Field of Classification Search**
USPC D8/349, 354, 371, 373, 382-384,
D8/387-389, 394-396; D6/88, 125;
248/65, 67.5, 68 R, 68 CB, 72, 74 R,
248/74 A, 300, 110; 24/255 R
See application file for complete search history.

D363,875 S * 11/1995 Korb D8/373
 5,553,975 A * 9/1996 Elkins 405/184.4
 5,573,209 A 11/1996 Lindquist

* cited by examiner

Primary Examiner — Eric Goodman
 (74) *Attorney, Agent, or Firm* — Boyle Fredrickson, S.C.

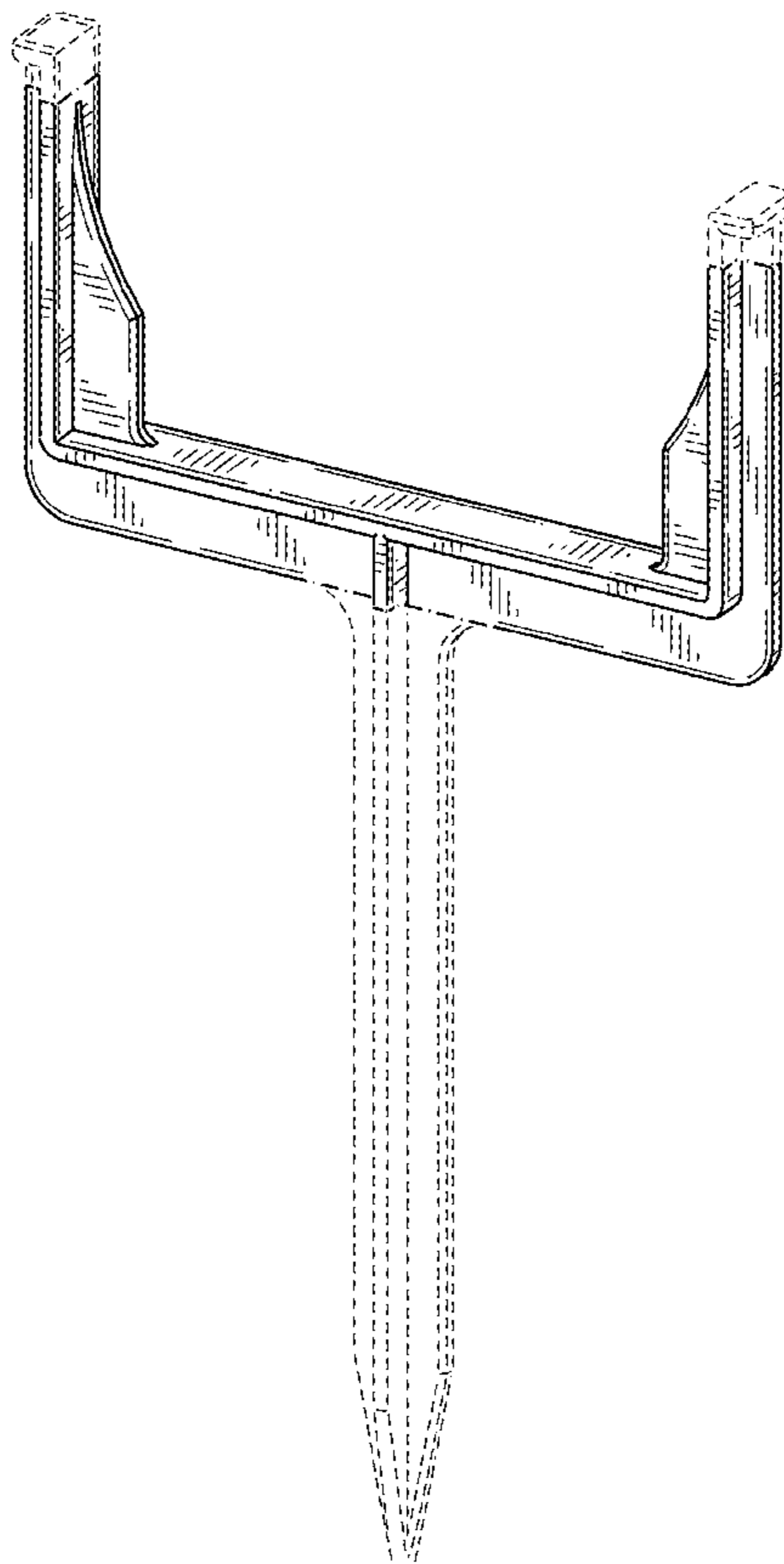
(57) **CLAIM**
 The ornamental design of a downspout stake, as shown and described.

DESCRIPTION

FIG. 1 is an isometric view of a first embodiment of a downspout stake incorporating my new design, wherein the portions illustrated in dotted lines form no part of the claimed design;
 FIG. 2 is a front elevation view thereof; the rear elevation being a mirror image thereof;
 FIG. 3 is a right side elevation view thereof, the left side elevation view being a mirror image thereof;
 FIG. 4 is a top plan view thereof; and,
 FIG. 5 is a bottom plan view thereof.
 The broken line in the figures represents the bounds of the claimed design, while all other dotted lines are directed to environment and are for illustrative purposes only. None of the broken or dotted lines form part of the claimed design.

- (56) **References Cited**
 U.S. PATENT DOCUMENTS
 149,651 A 4/1874 Gould
 344,236 A 6/1886 Berger
 516,576 A 3/1894 Roberts
 603,924 A 5/1898 Sauer
 3,652,045 A * 3/1972 Hirt 248/62
 3,822,504 A * 7/1974 Kuehn et al. 47/62 R
 4,047,683 A * 9/1977 Takeuchi 248/62
 5,007,768 A * 4/1991 Waller 405/184.4
 5,437,424 A * 8/1995 Netz, Sr. 248/49

1 Claim, 3 Drawing Sheets



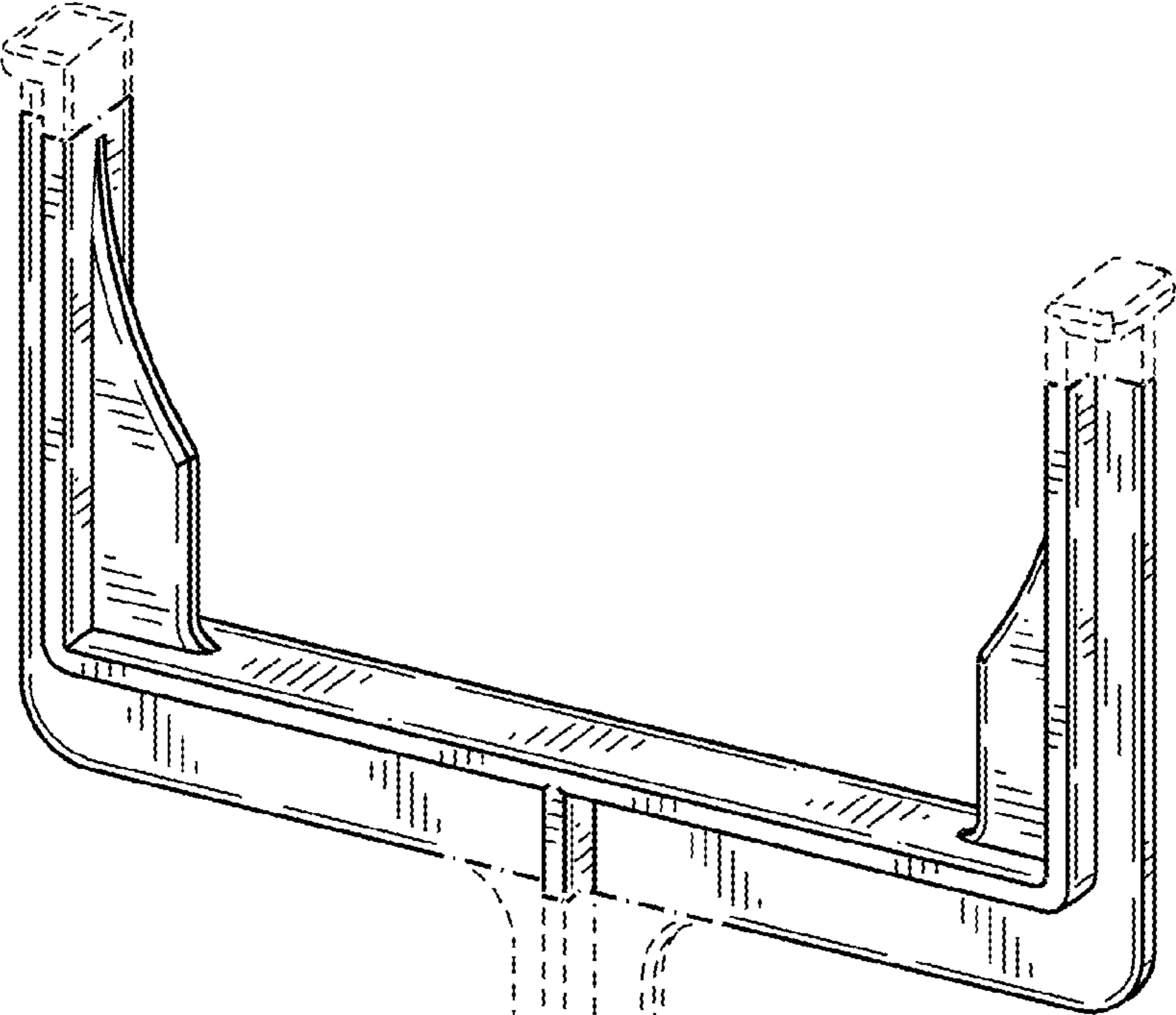


FIG. 1

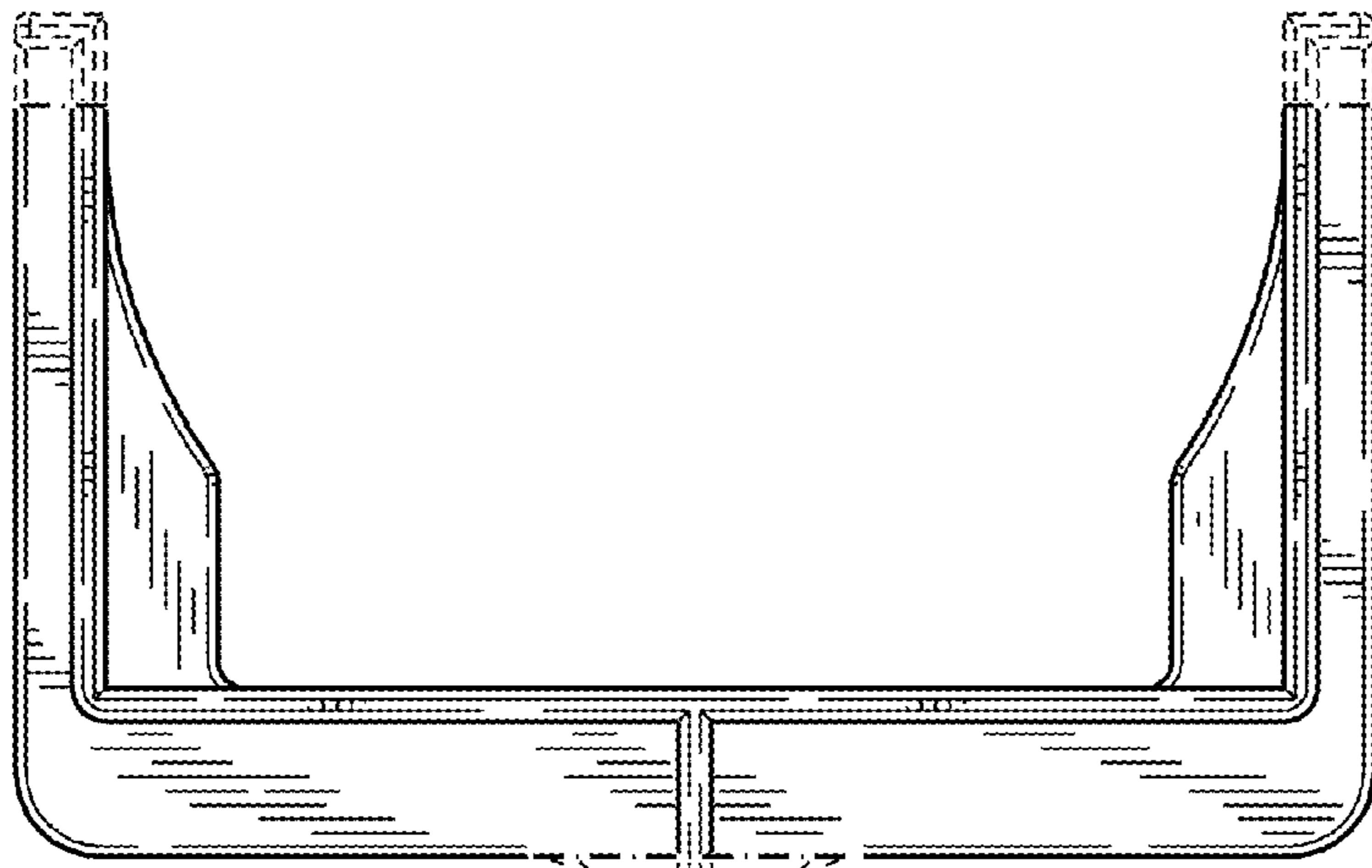


FIG. 2

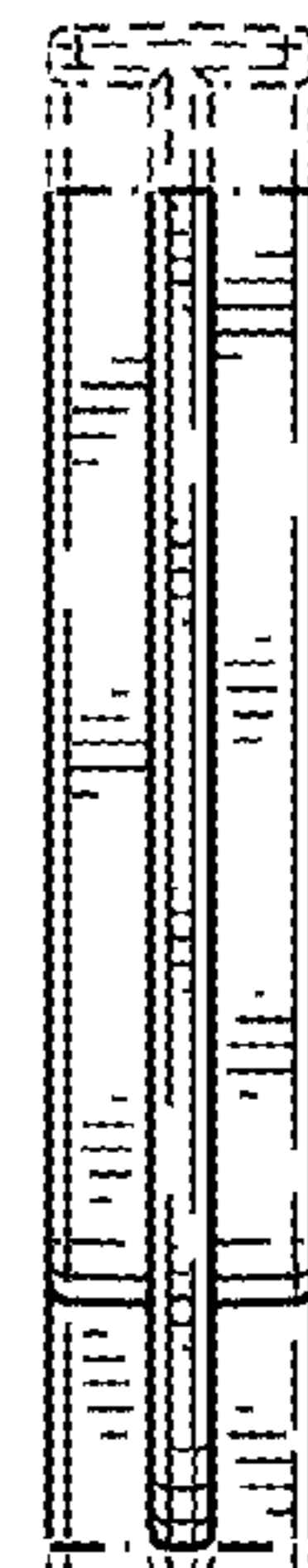


FIG. 3

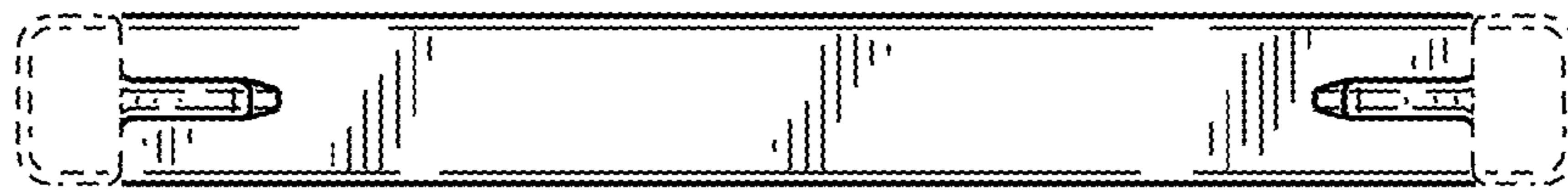


FIG. 4



FIG. 5