



US00D723355S

(12) **United States Design Patent**
Federspiel

(10) **Patent No.:** **US D723,355 S**

(45) **Date of Patent:** **** Mar. 3, 2015**

(54) **DECKING SPACER**

(71) Applicant: **Russell Federspiel**, Old Town, FL (US)

(72) Inventor: **Russell Federspiel**, Old Town, FL (US)

(**) Term: **14 Years**

(21) Appl. No.: **29/436,696**

(22) Filed: **Nov. 8, 2012**

(51) **LOC (10) Cl.** **08-05**

(52) **U.S. Cl.**
USPC **D8/354**

(58) **Field of Classification Search**
USPC D8/354, 349; D25/199; 33/526, 645;
52/DIG. 1; 14/73.1

See application file for complete search history.

(56) **References Cited**

U.S. PATENT DOCUMENTS

4,793,068	A *	12/1988	Golkar	33/526
4,850,114	A	7/1989	Vockins		
4,955,142	A	9/1990	Rieck		
5,560,117	A	10/1996	Tallman		
D437,945	S *	2/2001	Mast et al.	D25/199
6,243,961	B1 *	6/2001	Winski	33/526
6,385,858	B1 *	5/2002	Muller	33/526
6,508,010	B2 *	1/2003	Hanson et al.	33/613
D473,123	S *	4/2003	Anderson	D8/354
D492,210	S *	6/2004	Shilo et al.	D10/64
D493,700	S	8/2004	O'Neill		
6,769,191	B1 *	8/2004	Zusman	33/526
D600,105	S *	9/2009	Harris	D8/382
D604,599	S *	11/2009	Prichard et al.	D8/382
D610,440	S *	2/2010	Prichard et al.	D8/382
D616,725	S	6/2010	Burns et al.		
7,818,923	B2 *	10/2010	Alvarez	52/105

D631,326	S	1/2011	Burns et al.		
8,082,714	B2	12/2011	Burns		
8,181,409	B1	5/2012	Jones		
D662,804	S	7/2012	Larson		
2004/0250435	A1 *	12/2004	Fiore	33/527
2009/0126213	A1 *	5/2009	Tavy et al.	33/527

* cited by examiner

Primary Examiner — Mark Goodwin

(74) *Attorney, Agent, or Firm* — Larson & Larson, P.A.;
Justin P. Miller; Patrick A. Reid

(57) **CLAIM**

I claim the ornamental design for a decking spacer, as shown and described.

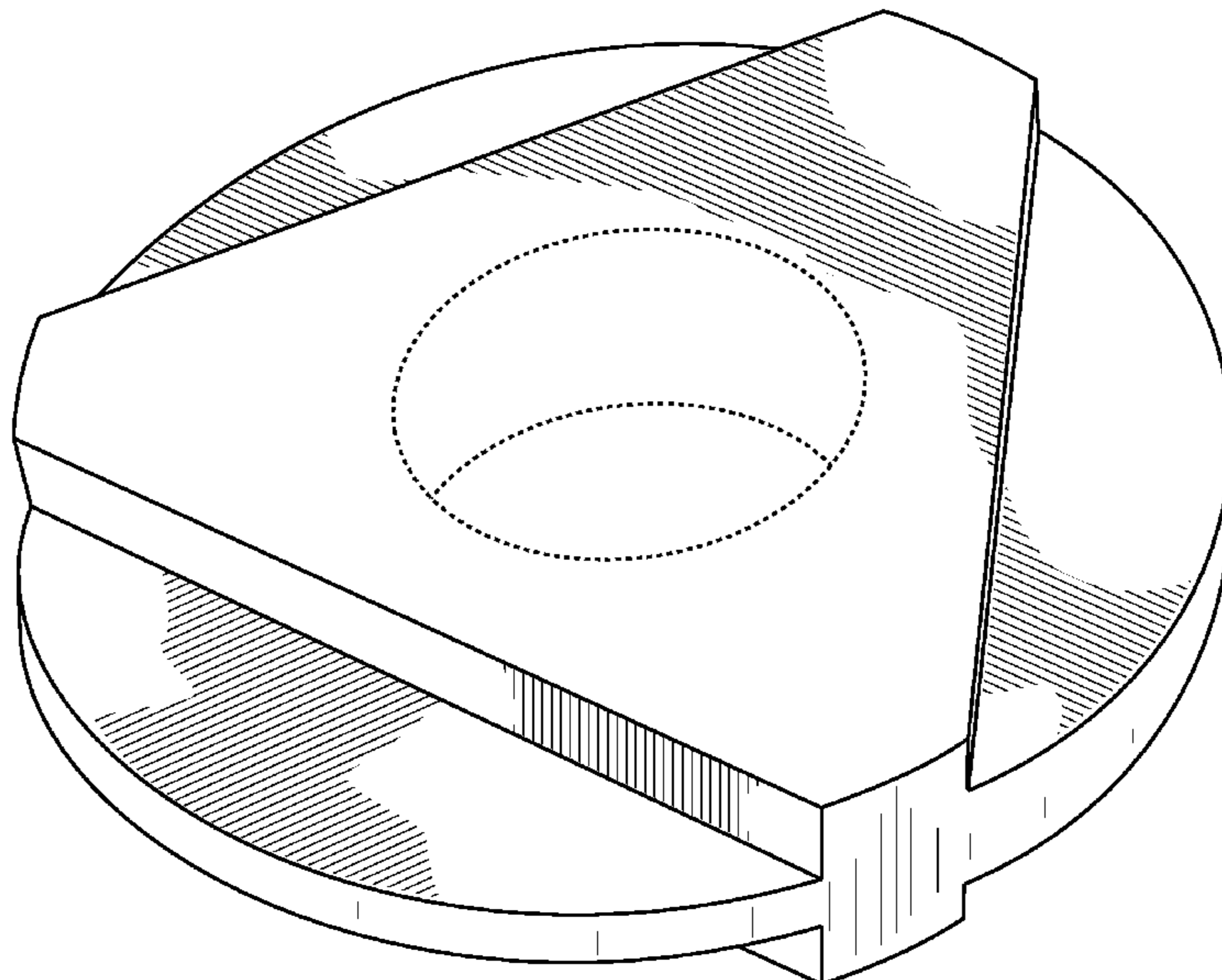
DESCRIPTION

FIG. 1 is a front elevation view of the decking spacer showing my new design;
 FIG. 2 is a rear elevation view thereof;
 FIG. 3 is a top plan view thereof;
 FIG. 4 is a bottom plan view thereof;
 FIG. 5 is a left side view thereof;
 FIG. 6 is a right side view thereof;
 FIG. 7 is a perspective view thereof; and,
 FIG. 8 is a perspective view thereof showing an exemplary use.

The broken lines depicting part of a penetration in FIGS. 1, 2, 7, and 8 are for illustrative purposes only and form no part of the claimed design.

The broken lines showing portions of decking boards in FIG. 8 are for illustrating environmental structure and form no part of the claimed design.

1 Claim, 8 Drawing Sheets



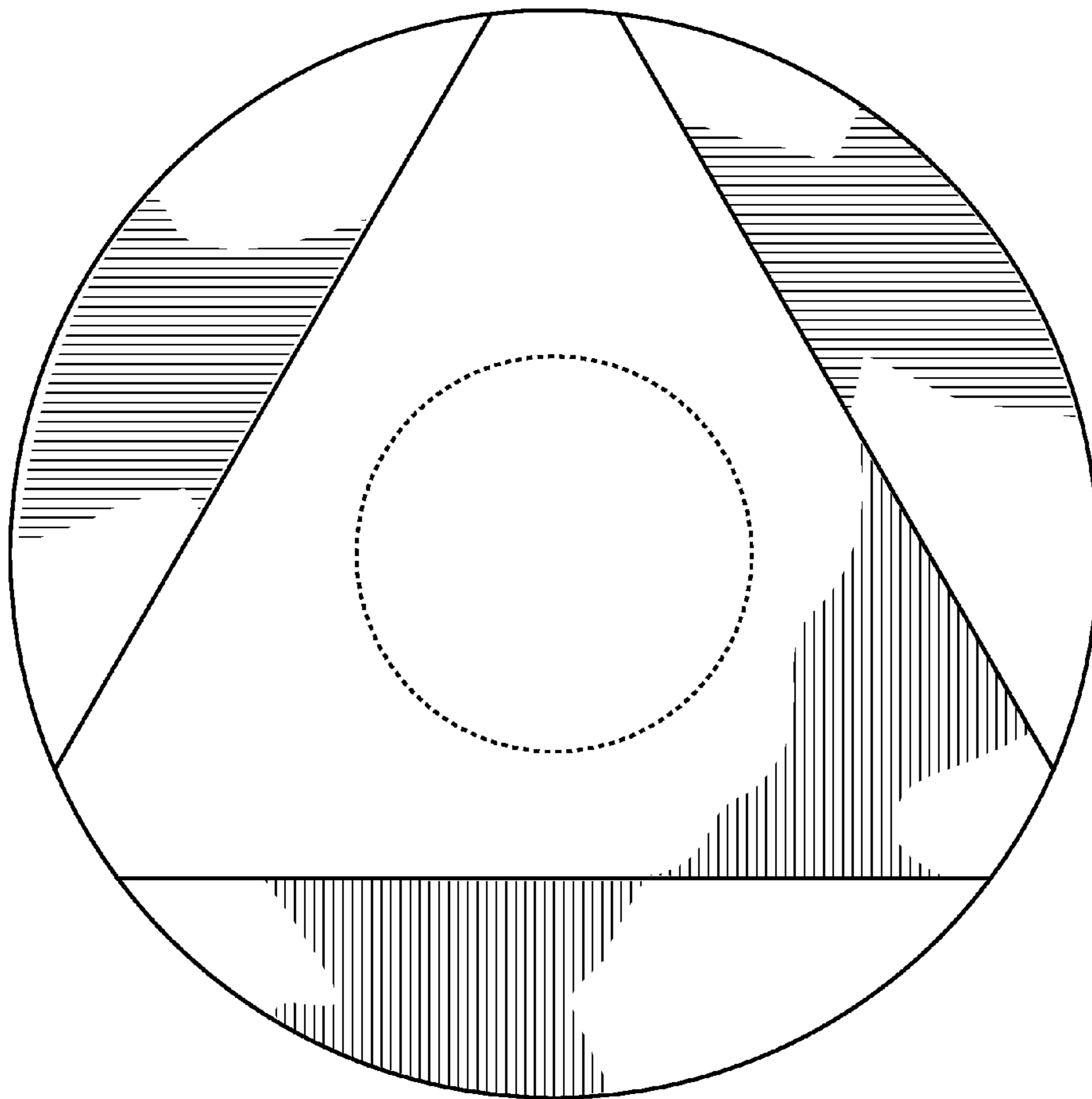


FIG. 1

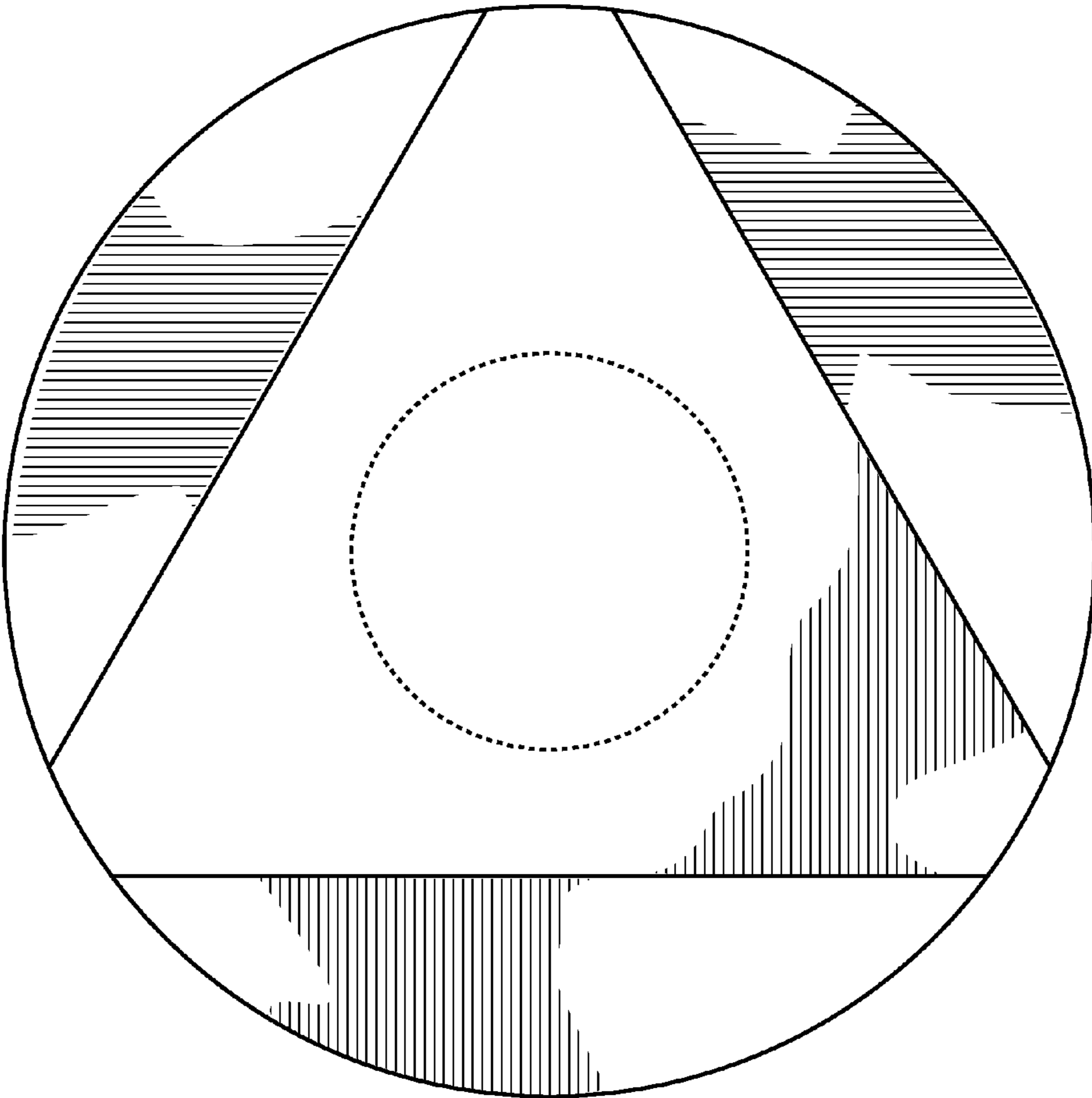


FIG. 2

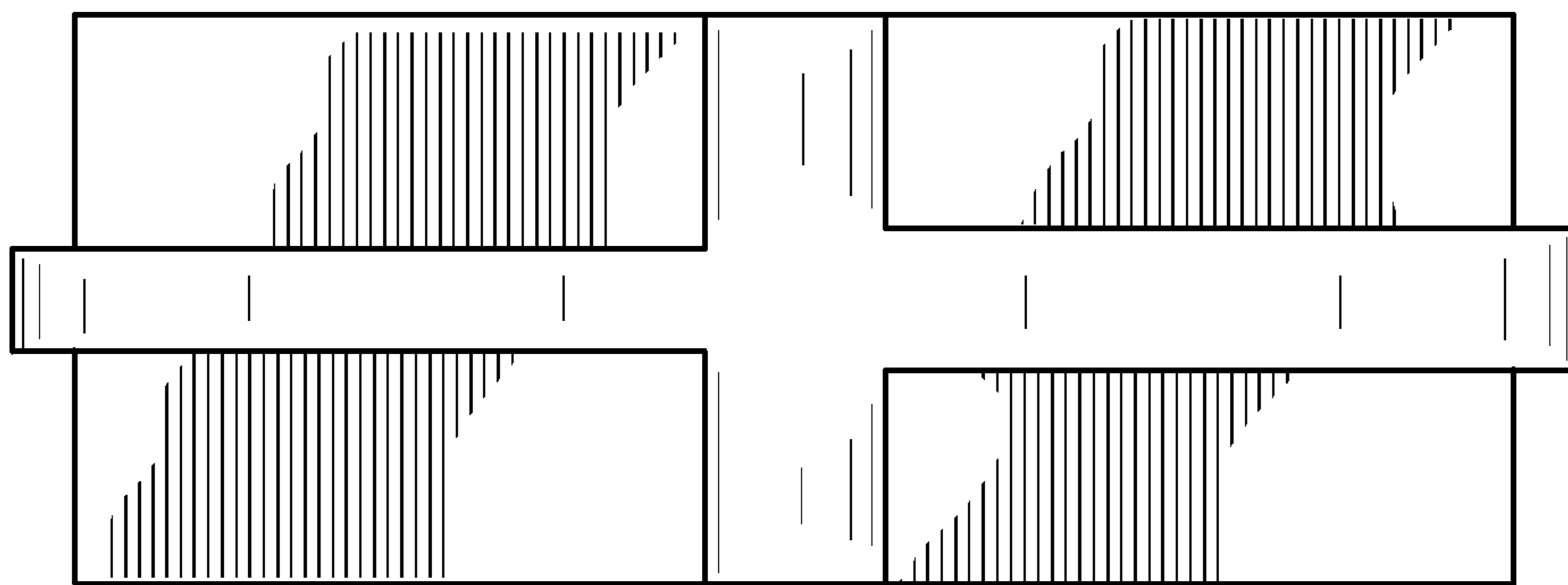


FIG. 3

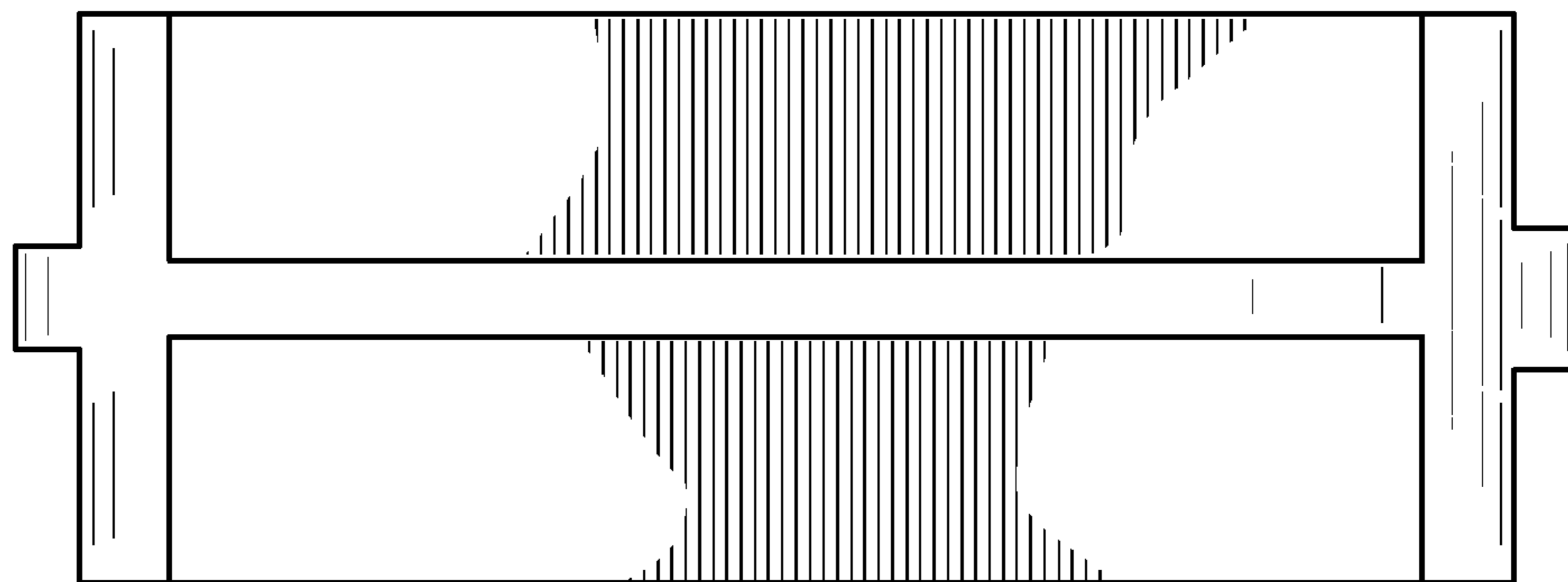


FIG. 4

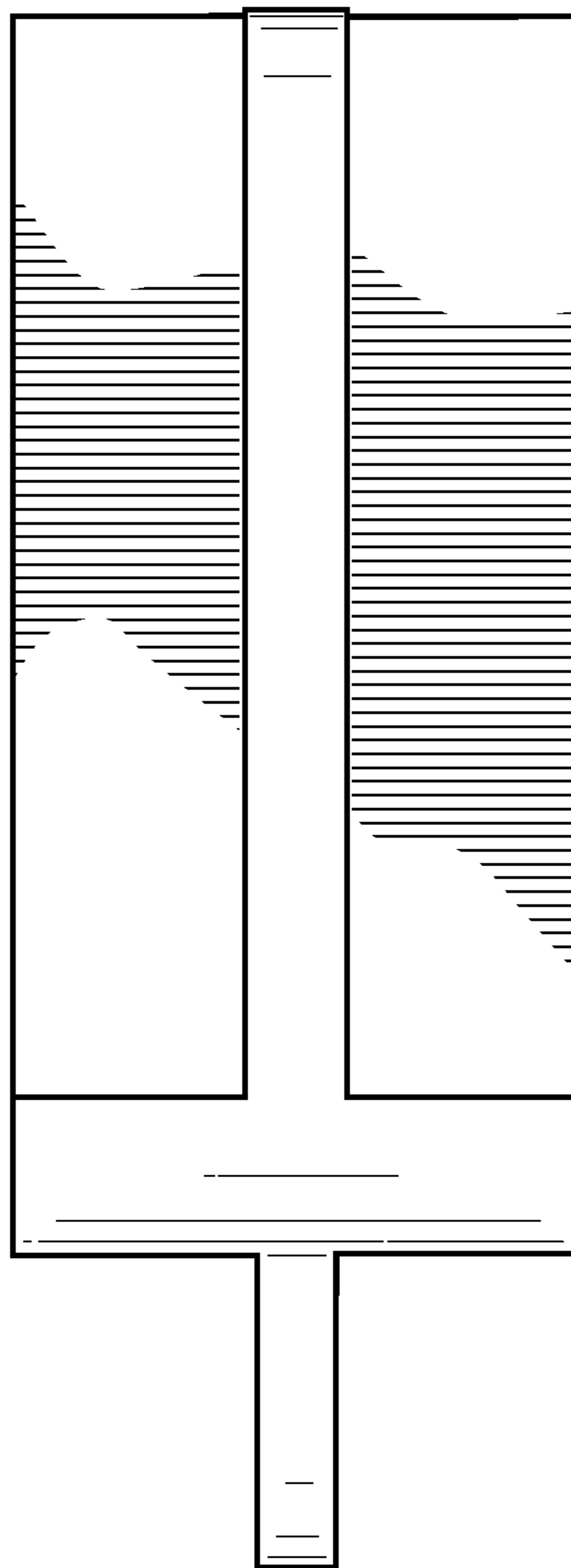


FIG. 5

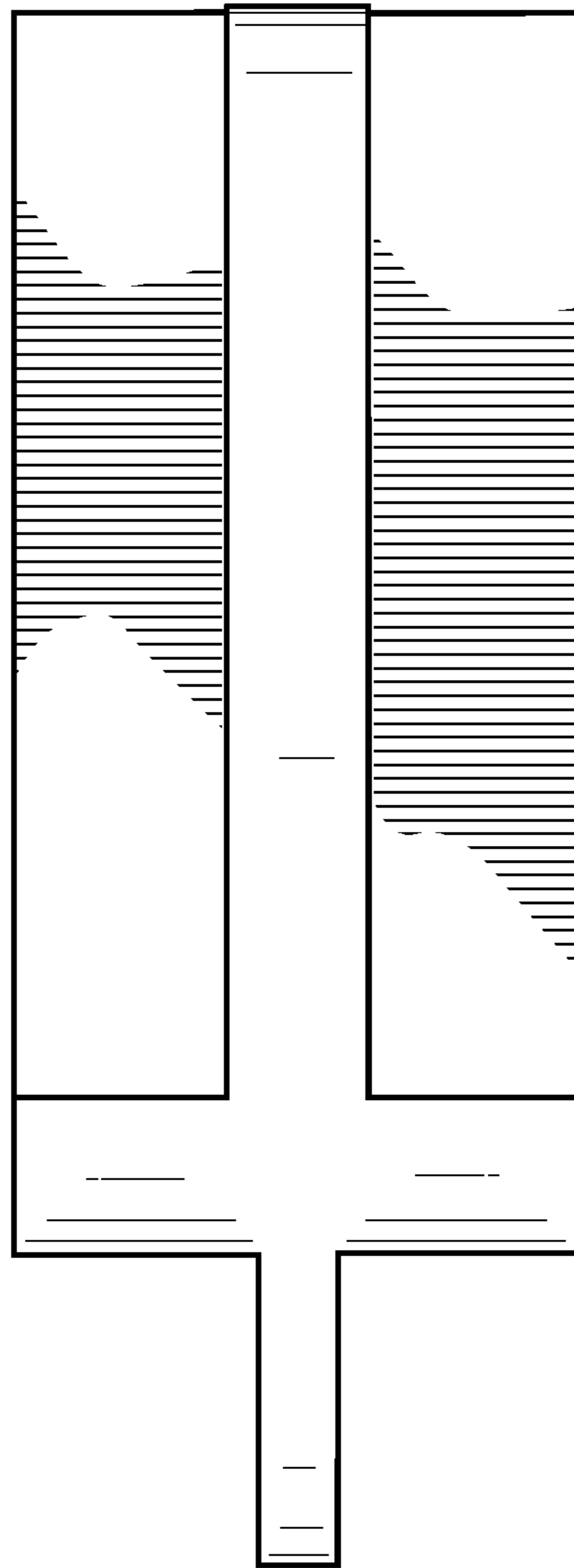


FIG. 6

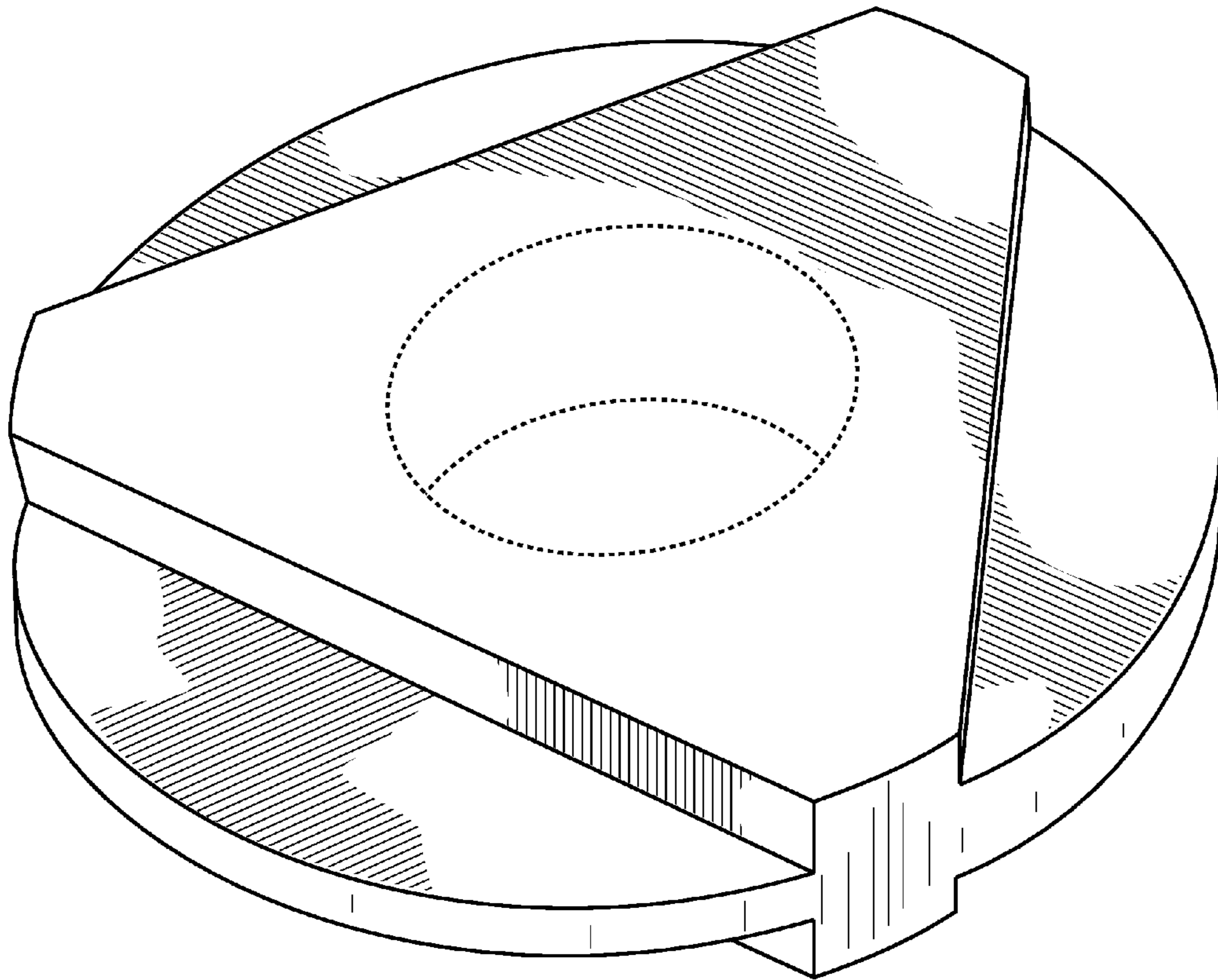


FIG. 7

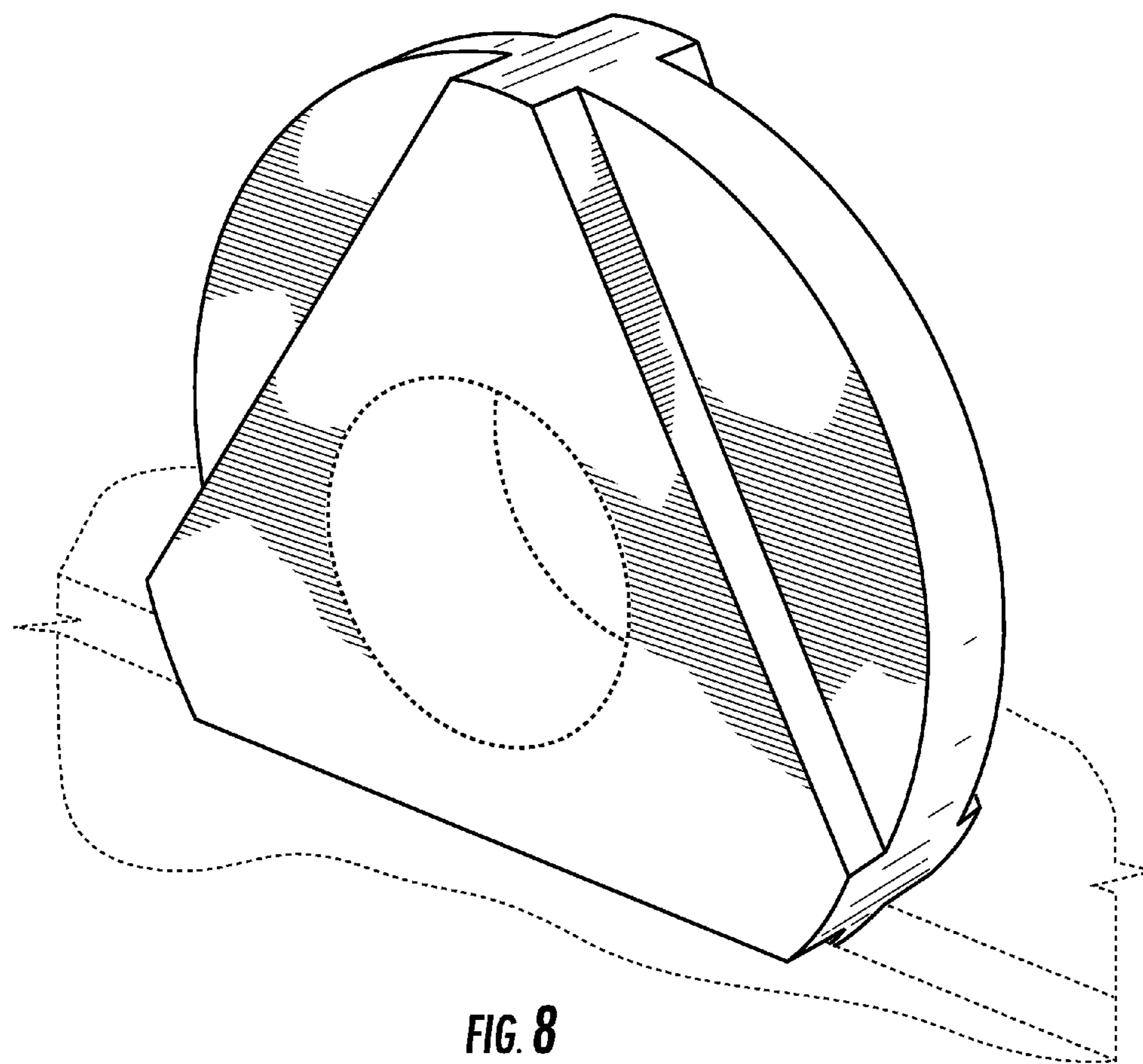


FIG. 8