



US00D723354S

(12) **United States Design Patent**
Stevens

(10) **Patent No.:** **US D723,354 S**
(45) **Date of Patent:** **** Mar. 3, 2015**

(54) **LOCK**
(71) Applicant: **Master Lock Company LLC**, Oak Creek, WI (US)

558,814 A 4/1896 Hunt
1,161,562 A 11/1915 Wessen
1,240,146 A 9/1917 Jackson

(Continued)

(72) Inventor: **Scott Stevens**, St. Francis, WI (US)

FOREIGN PATENT DOCUMENTS

(73) Assignee: **Master Lock Company LLC**, Oak Creek, WI (US)

CA 1171294 7/1984
CA 2190575 11/1995

(Continued)

(**) Term: **14 Years**

OTHER PUBLICATIONS

(21) Appl. No.: **29/479,574**

International Search Report and Written Opinion of the International Searching Authority from International Application No. PCT/US08/01427, mailed Jun. 19, 2008.

(22) Filed: **Jan. 17, 2014**

(Continued)

Related U.S. Application Data

(62) Division of application No. 29/430,576, filed on Aug. 28, 2012, now Pat. No. Des. 702,102.

(51) **LOC (10) Cl.** **08-07**

(52) **U.S. Cl.**
USPC **D8/343**; D8/333; D8/334

(58) **Field of Classification Search**
USPC D8/330, 331, 333, 343, 339, 336, 349, D8/334, 354; 70/14-16, 18, 57, 25, 158, 70/163-168, 233, 38 A, 38 C, 23, 20, 30, 70/51, 57.1, 202, 203, 431, 448, 465, 466; 292/288, 290, 340

See application file for complete search history.

(56) **References Cited**

U.S. PATENT DOCUMENTS

380,961 A 4/1888 Waine
465,450 A 12/1891 Brooke
507,948 A 10/1893 Waine
535,128 A 3/1895 Barney
539,650 A 5/1895 Searle

Primary Examiner — Prabhakar Deshmukh

(74) *Attorney, Agent, or Firm* — Calfee, Halter & Griswold LLP

(57) **CLAIM**

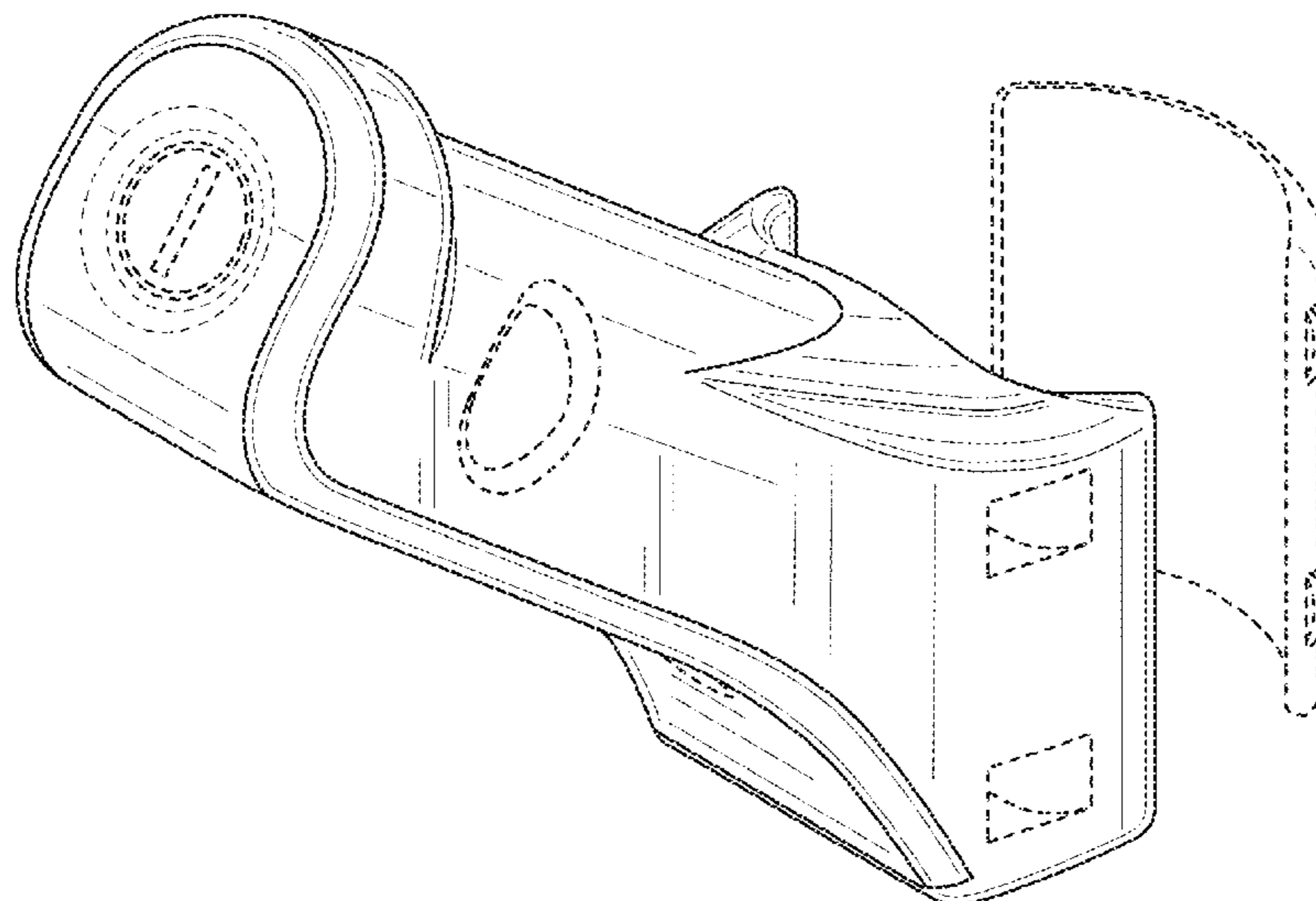
I claim the ornamental design for a lock, as shown and described.

DESCRIPTION

FIG. 1 is a perspective view of a lock showing my new design; FIG. 2 is a front elevational view of the lock of FIG. 1; FIG. 3 is a rear elevational view of the lock of FIG. 1; FIG. 4 is a right side elevational view of the lock of FIG. 1; FIG. 5 is a left side elevational view of the lock of FIG. 1; FIG. 6 is a top plan view of the lock of FIG. 1; and, FIG. 7 is a bottom plan view of the lock of FIG. 1.

The portions of the Figures shown in broken lines are for illustrative purpose only and form no part of the claimed design.

1 Claim, 5 Drawing Sheets



(56)

References Cited

U.S. PATENT DOCUMENTS

1,336,309 A 4/1920 Malaczynski
 1,358,184 A 11/1920 Voight
 1,380,719 A 6/1921 Johnson
 1,384,561 A 7/1921 Hampton
 1,394,259 A 10/1921 Johnson
 1,475,256 A 11/1923 Belair
 1,531,451 A 3/1925 Neal
 1,539,301 A 5/1925 Cooper
 1,566,965 A 12/1925 Johnson
 1,660,040 A 2/1928 Lehtonen
 1,851,207 A 3/1932 Neal
 1,855,686 A 4/1932 Neal
 1,900,242 A 3/1933 Lalou
 2,190,661 A 2/1940 Hauer
 2,390,885 A 12/1945 Kelley
 2,570,662 A 10/1951 Gray
 2,759,349 A 8/1956 McKee
 3,017,678 A 1/1962 Christensen
 3,435,642 A 4/1969 Del Pesco
 3,465,557 A * 9/1969 Ryder 70/139
 3,670,535 A 6/1972 Stettner et al.
 3,841,118 A 10/1974 Stone
 3,907,225 A 9/1975 McElroy
 D242,112 S 11/1976 Sander
 4,215,885 A 8/1980 McCray
 4,236,394 A 12/1980 Harrington et al.
 4,287,731 A 9/1981 Kruger
 4,446,709 A 5/1984 Steinbach
 4,509,346 A 4/1985 Szcapanek
 4,574,600 A 3/1986 Moffett
 D296,414 S 6/1988 DeWalch
 4,850,207 A 7/1989 Ylven
 D303,623 S 9/1989 Pearson
 5,109,684 A 5/1992 Grandy, Sr.
 5,119,649 A * 6/1992 Spence 70/14
 5,384,442 A * 1/1995 Danner 200/566
 5,473,917 A 12/1995 Say
 5,479,800 A * 1/1996 Myers 70/365
 5,517,835 A 5/1996 Smith
 D370,401 S 6/1996 Minkin
 5,548,981 A 8/1996 Kirk
 5,611,225 A 3/1997 Resch et al.
 5,638,707 A 6/1997 Gould
 5,660,064 A 8/1997 Ecker et al.
 D390,771 S 2/1998 Egger
 D393,544 S 4/1998 Ling
 5,741,034 A 4/1998 Bains et al.
 5,743,117 A 4/1998 Woo et al.
 D394,197 S 5/1998 Zeller
 5,791,170 A 8/1998 Officer
 5,868,012 A 2/1999 Chun-Te et al.
 D410,190 S * 5/1999 Freck D8/331
 5,924,313 A 7/1999 Kuo
 5,992,187 A 11/1999 Derman
 6,003,348 A 12/1999 McCrea
 D435,428 S 12/2000 Ling
 6,192,720 B1 2/2001 Kan
 6,212,919 B1 4/2001 Gerow
 6,227,016 B1 5/2001 Yu
 D451,001 S * 11/2001 Bremicker D8/331
 6,363,758 B1 4/2002 Ling

D457,802 S 5/2002 Meekma et al.
 6,470,718 B1 10/2002 Yang
 D469,332 S 1/2003 Meekma et al.
 6,526,785 B1 3/2003 Asenstorfer et al.
 6,575,503 B1 * 6/2003 Johansson et al. 292/170
 D477,767 S 7/2003 Burdett et al.
 6,609,399 B1 8/2003 Daniels, Jr.
 6,629,440 B1 10/2003 Meekma et al.
 D483,647 S 12/2003 Lo
 D484,388 S 12/2003 Nassie et al.
 6,681,603 B1 1/2004 Yu
 D486,721 S 2/2004 Ling
 6,755,054 B2 6/2004 Burmesch et al.
 6,904,643 B2 6/2005 Duffy
 6,931,894 B2 8/2005 Yu
 D515,399 S * 2/2006 Ho D8/330
 6,997,023 B1 2/2006 Huang
 7,104,093 B2 9/2006 Ling et al.
 7,152,439 B1 12/2006 Chang
 D535,177 S 1/2007 Hsieh
 D537,317 S * 2/2007 Jackson, Jr. D8/300
 D546,661 S * 7/2007 Jackson, Jr. D8/331
 7,293,438 B2 * 11/2007 Benda 70/18
 D580,739 S 11/2008 Pelletier et al.
 7,469,564 B1 12/2008 Shaw
 7,526,932 B2 5/2009 Funtmann
 D627,622 S * 11/2010 Cosby et al. D8/331
 7,870,764 B2 1/2011 Burmesch
 D633,369 S 3/2011 Atteridge et al.
 D669,337 S 10/2012 Tien
 8,297,086 B2 10/2012 Yu et al.
 8,505,342 B1 8/2013 Taiga
 D689,357 S 9/2013 Wang
 8,528,370 B2 9/2013 Yu et al.
 D691,870 S 10/2013 Stevens
 D694,092 S 11/2013 Davidson et al.
 D702,102 S 4/2014 Stevens
 D704,033 S 5/2014 Davidson et al.
 2002/0083744 A1 7/2002 Lai
 2003/0029207 A1 2/2003 Young
 2003/0046852 A1 3/2003 Burmesch et al.
 2003/0089141 A1 5/2003 Edwards et al.
 2003/0089147 A1 5/2003 Yang
 2004/0011098 A1 1/2004 Yang
 2005/0044903 A1 3/2005 Ling et al.
 2005/0092037 A1 5/2005 Meekma et al.
 2005/0155395 A1 7/2005 Yu
 2008/0184748 A1 8/2008 Burmesch

FOREIGN PATENT DOCUMENTS

EP 0681078 11/1995
 EP 0893562 1/1999
 WO 02/20926 3/2002

OTHER PUBLICATIONS

Partial Search Report from PCT/US2004/031557.
 Printout from web site; Master Lock Combination Cable Locks,
http://masterlock.com/products/category_products.jsp?category=MLCOM_CableLocks, 3 pages, 2012.
 Printout from web site; Master Cable Locks, <http://masterlock.com/products/subcategory/CableLocks>, 5 pages, 2012.

* cited by examiner

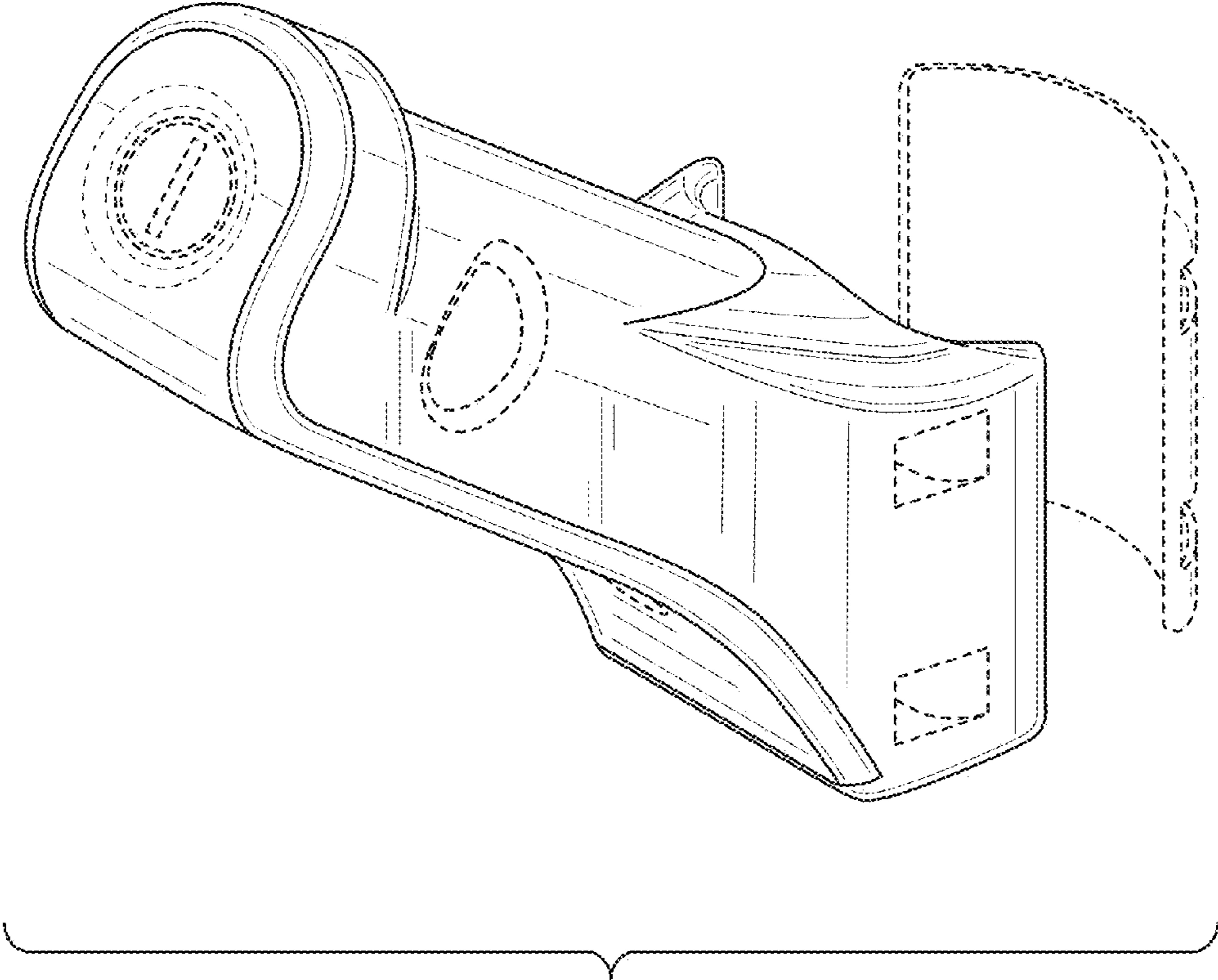


FIG. 1

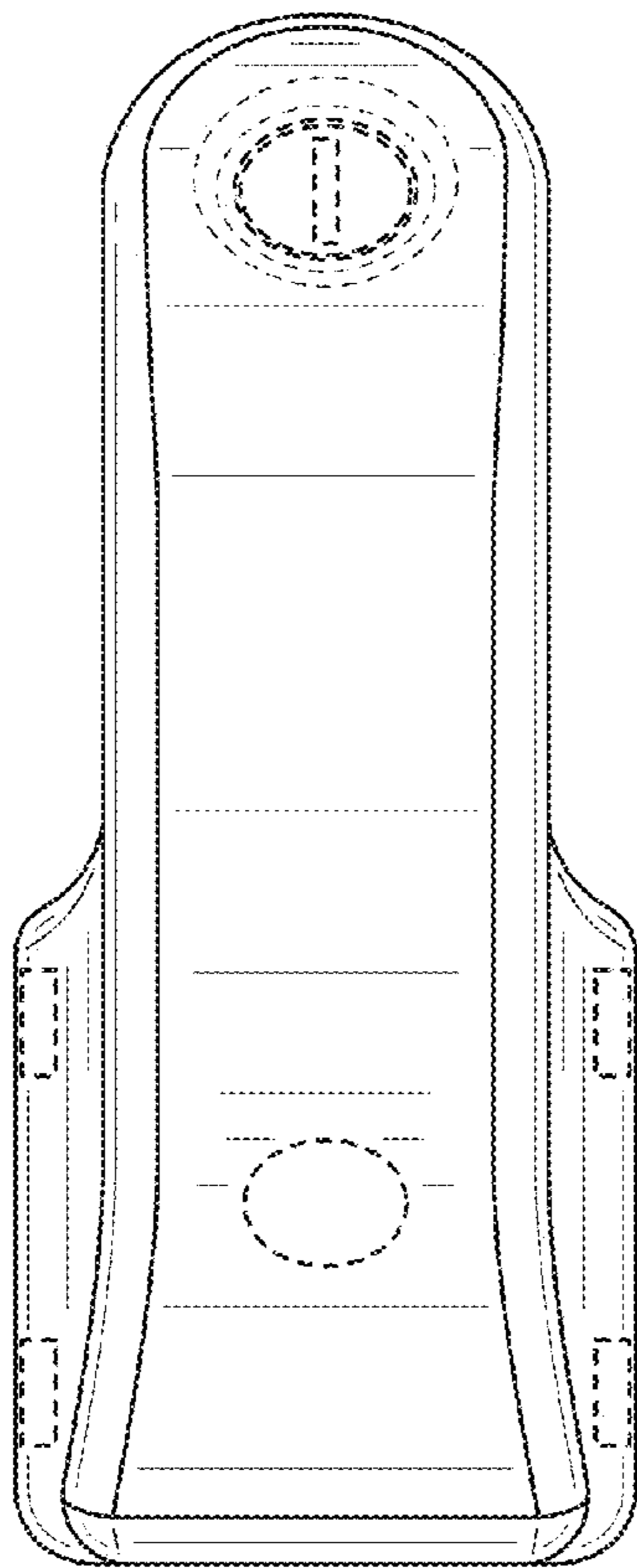


FIG. 2

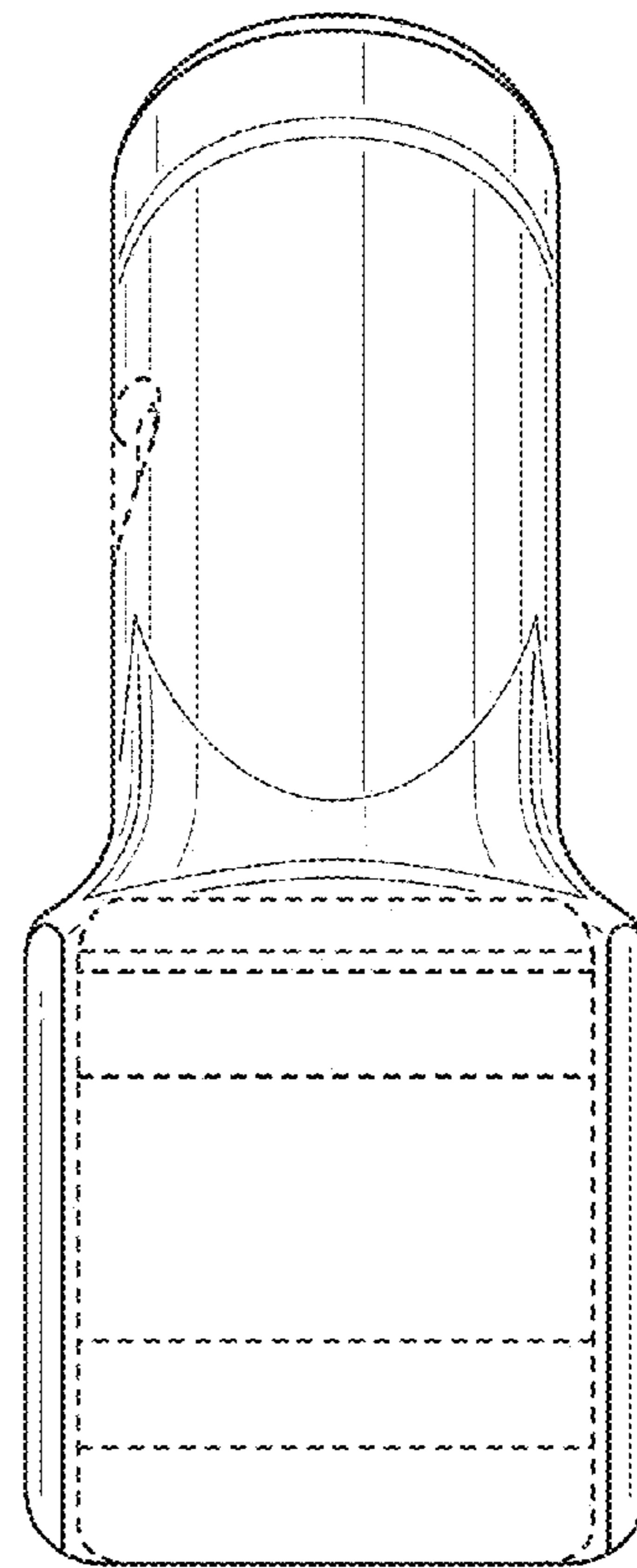


FIG. 3

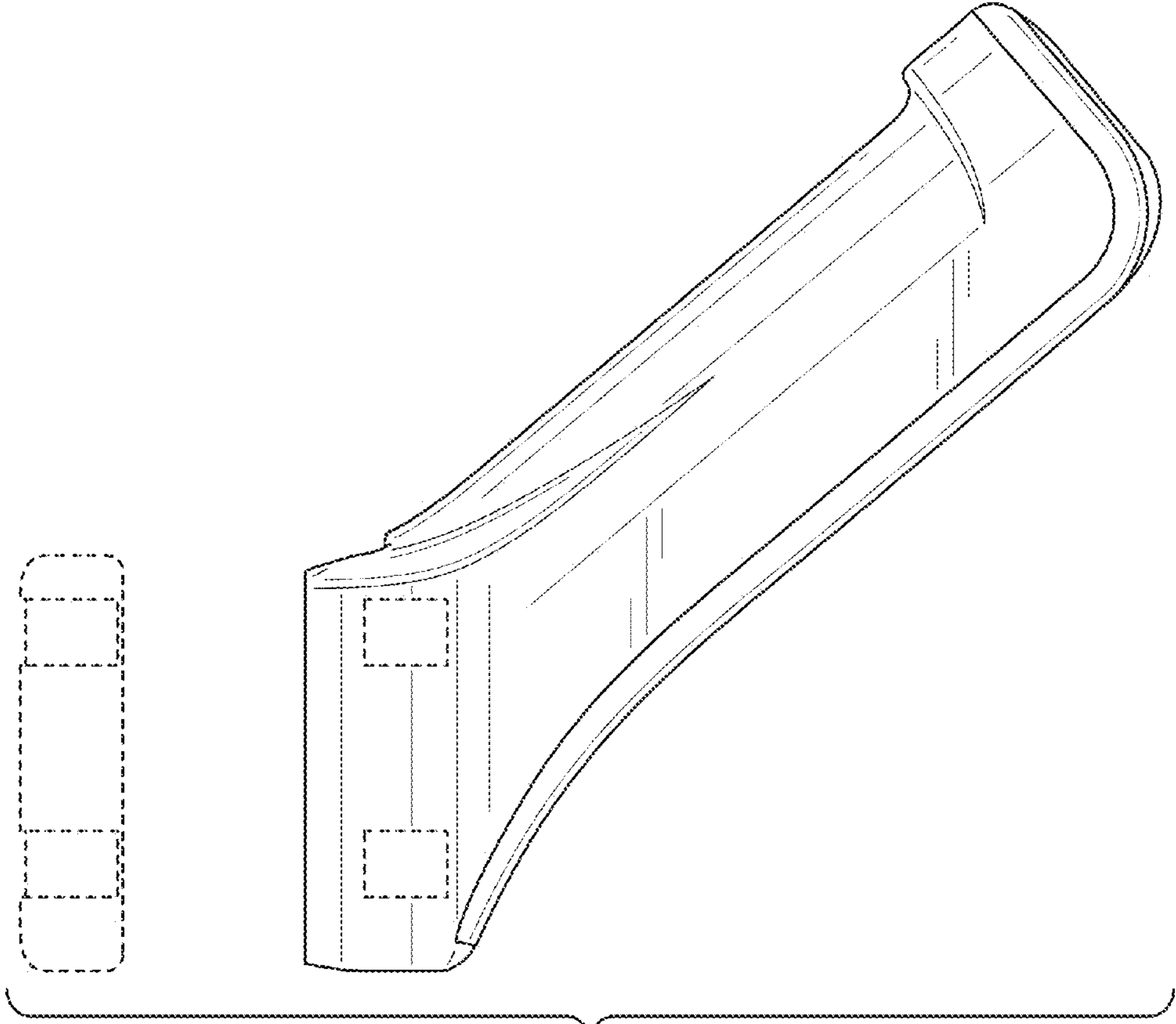


FIG. 4

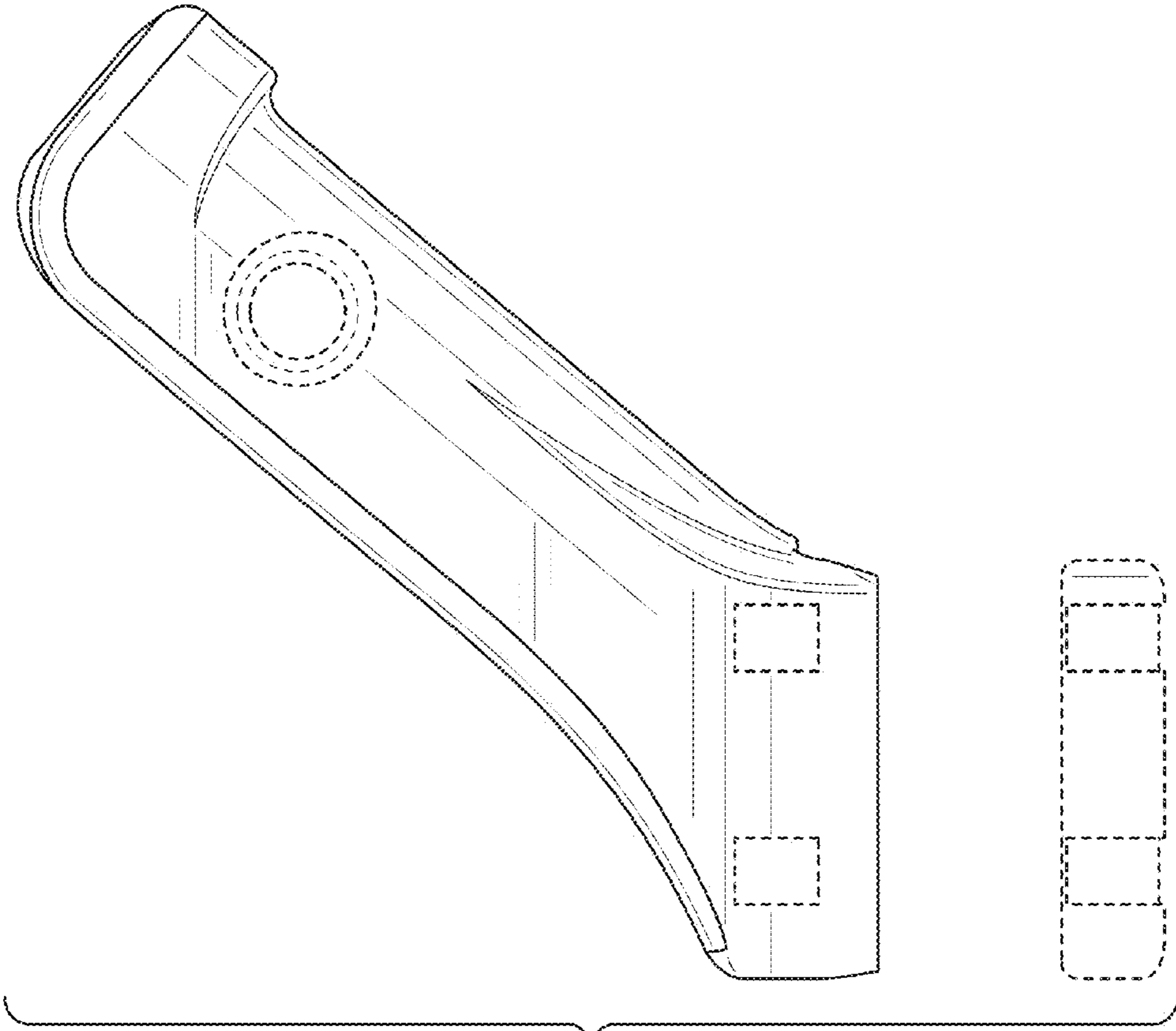


FIG. 5

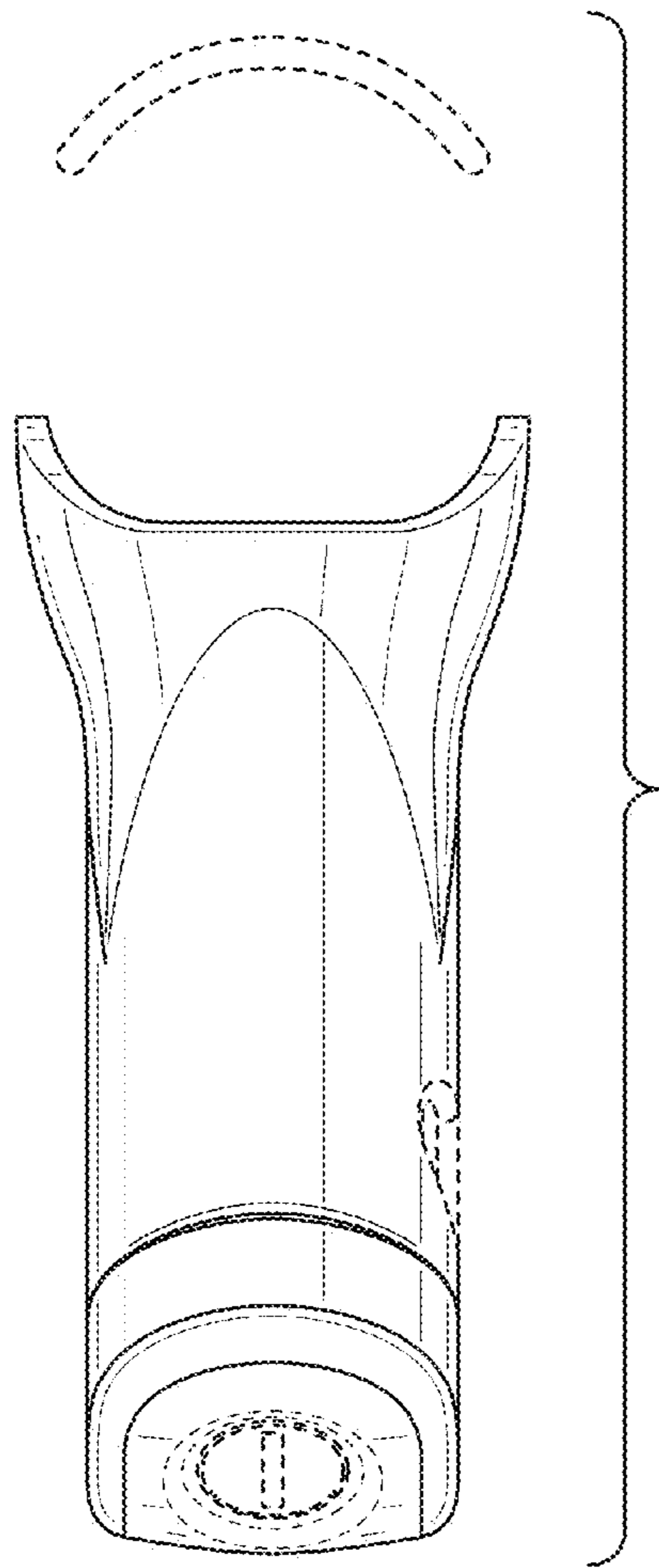


FIG. 6

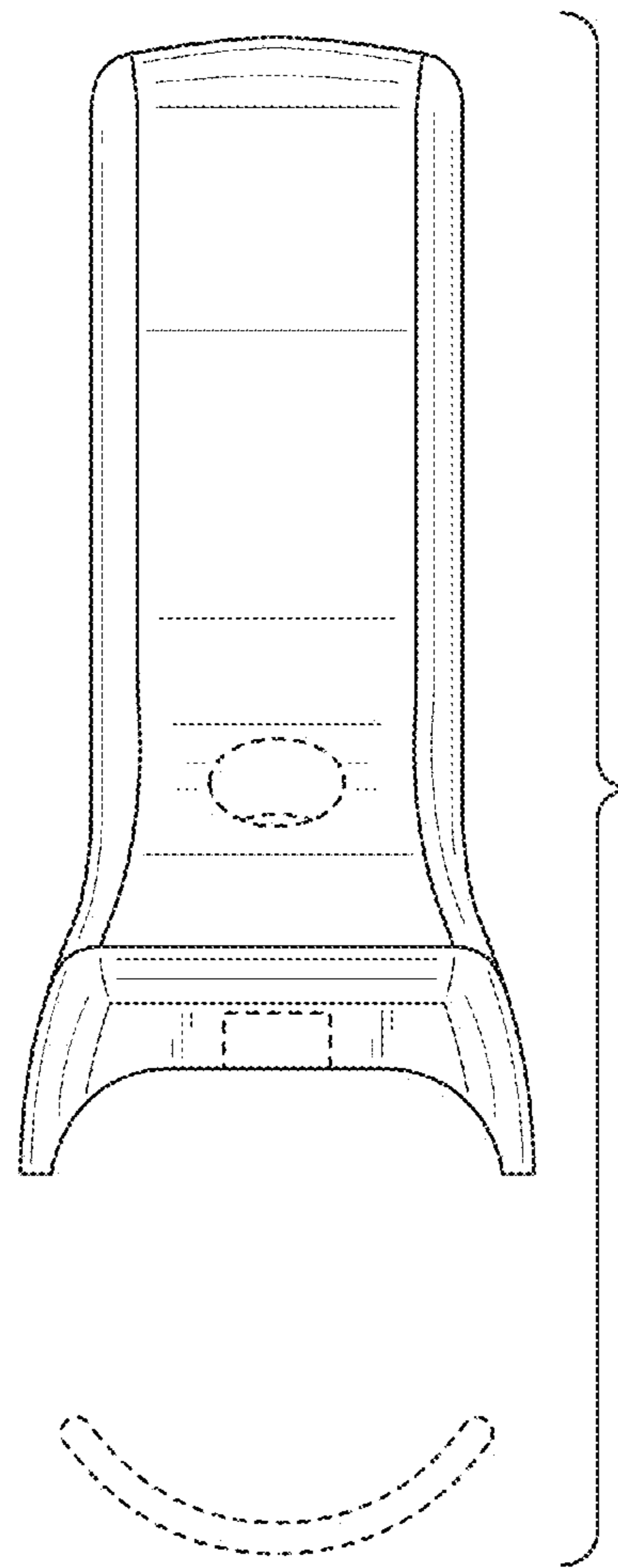


FIG. 7