



US00D723352S

(12) **United States Design Patent**
Ramsland et al.

(10) **Patent No.:** **US D723,352 S**
(45) **Date of Patent:** **** Mar. 3, 2015**

- (54) **CABINET KNOB**
- (71) Applicant: **Top Knobs USA, Inc.**, Hillsborough, NJ (US)
- (72) Inventors: **Warren Ramsland**, Hillsborough, NJ (US); **Christine Zimmer**, Hillsborough, NJ (US)
- (73) Assignee: **Top Knobs USA, Inc.**, Hillsborough, NJ (US)
- (**) Term: **14 Years**
- (21) Appl. No.: **29/475,141**
- (22) Filed: **Nov. 29, 2013**
- (51) **LOC (10) Cl.** **08-06**
- (52) **U.S. Cl.**
USPC **D8/310**
- (58) **Field of Classification Search**
CPC A47B 95/02
USPC D8/300, 310, 315, 316, 317, 318, 319, D8/DIG. 13; D6/549; D7/394; 16/110.1, 16/410-419, 441, 443-445; 292/336.3, 292/347
See application file for complete search history.

(56) **References Cited**

U.S. PATENT DOCUMENTS

436,523	A	*	9/1890	Glover	16/441
2,517,803	A	*	8/1950	Seaholm	292/347
D238,241	S	*	12/1975	Ziskin	D7/393
D248,445	S	*	7/1978	Palm, Jr.	D8/310
D326,219	S	*	5/1992	Clayton	D8/310

D327,407	S	*	6/1992	Clayton	D8/310
D361,492	S	*	8/1995	Chieda	D8/310
D368,638	S	*	4/1996	Sonnenleiter	D8/310
D368,640	S	*	4/1996	Sonnenleiter	D8/310
D396,179	S	*	7/1998	Burns et al.	D8/310
D401,834	S	*	12/1998	Burns et al.	D8/310
D429,455	S	*	8/2000	Burns et al.	D8/310
D454,049	S	*	3/2002	LaPlume et al.	D8/301
D474,672	S	*	5/2003	Fields	D8/310
D493,686	S	*	8/2004	Fields	D8/310
D526,882	S	*	8/2006	Veltz	D8/307
D544,778	S	*	6/2007	Mattson et al.	D8/310
D564,332	S	*	3/2008	McConnell	D8/310
D565,385	S	*	4/2008	Jou	D8/307
D569,220	S	*	5/2008	McConnell	D8/310
D592,037	S	*	5/2009	Mattson et al.	D8/310
D592,483	S	*	5/2009	Ricereto	D8/310
D660,679	S	*	5/2012	Han	D8/310

* cited by examiner

Primary Examiner — Paula Greene

(74) *Attorney, Agent, or Firm* — Schultz & Associates, P.C.

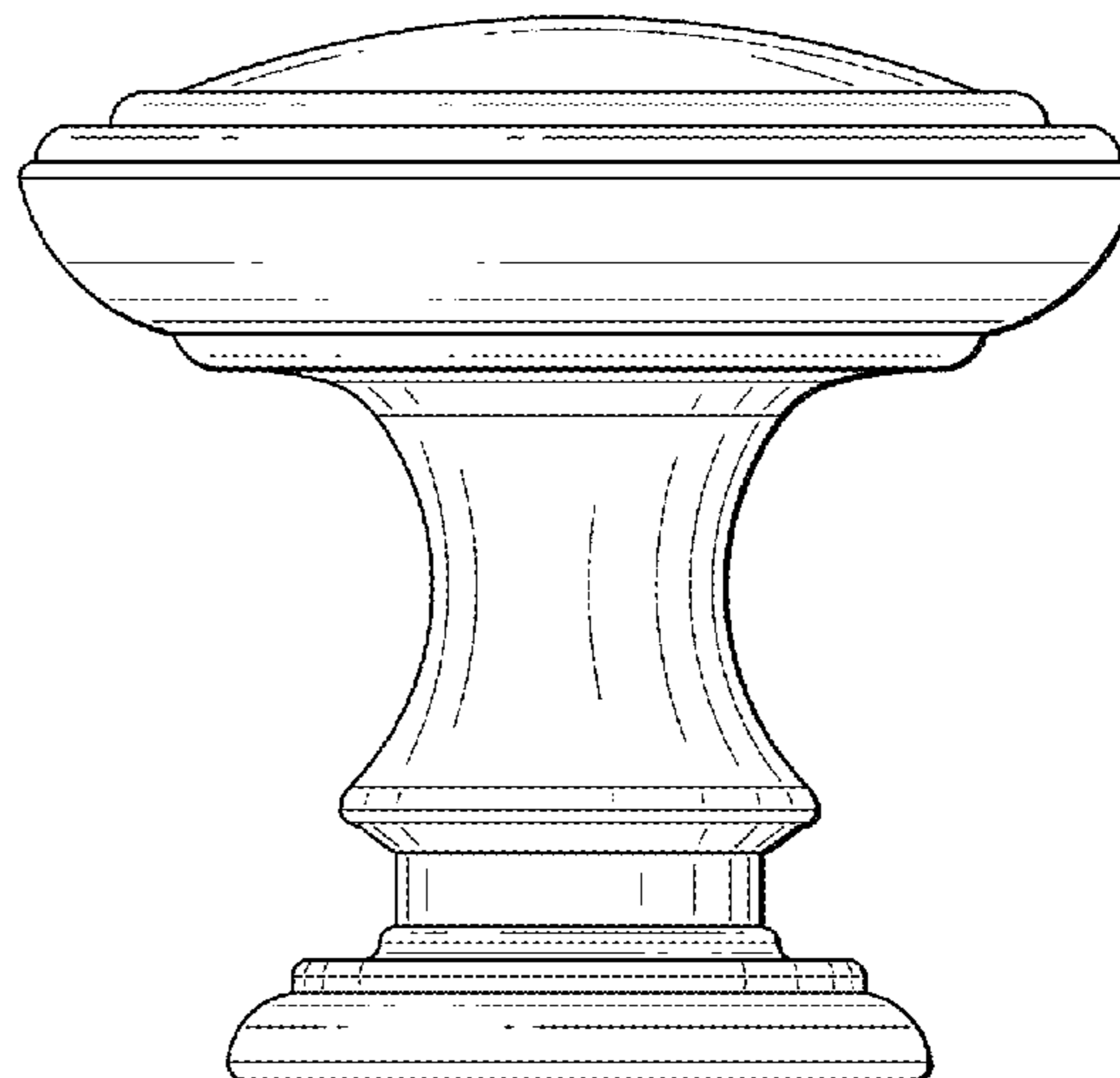
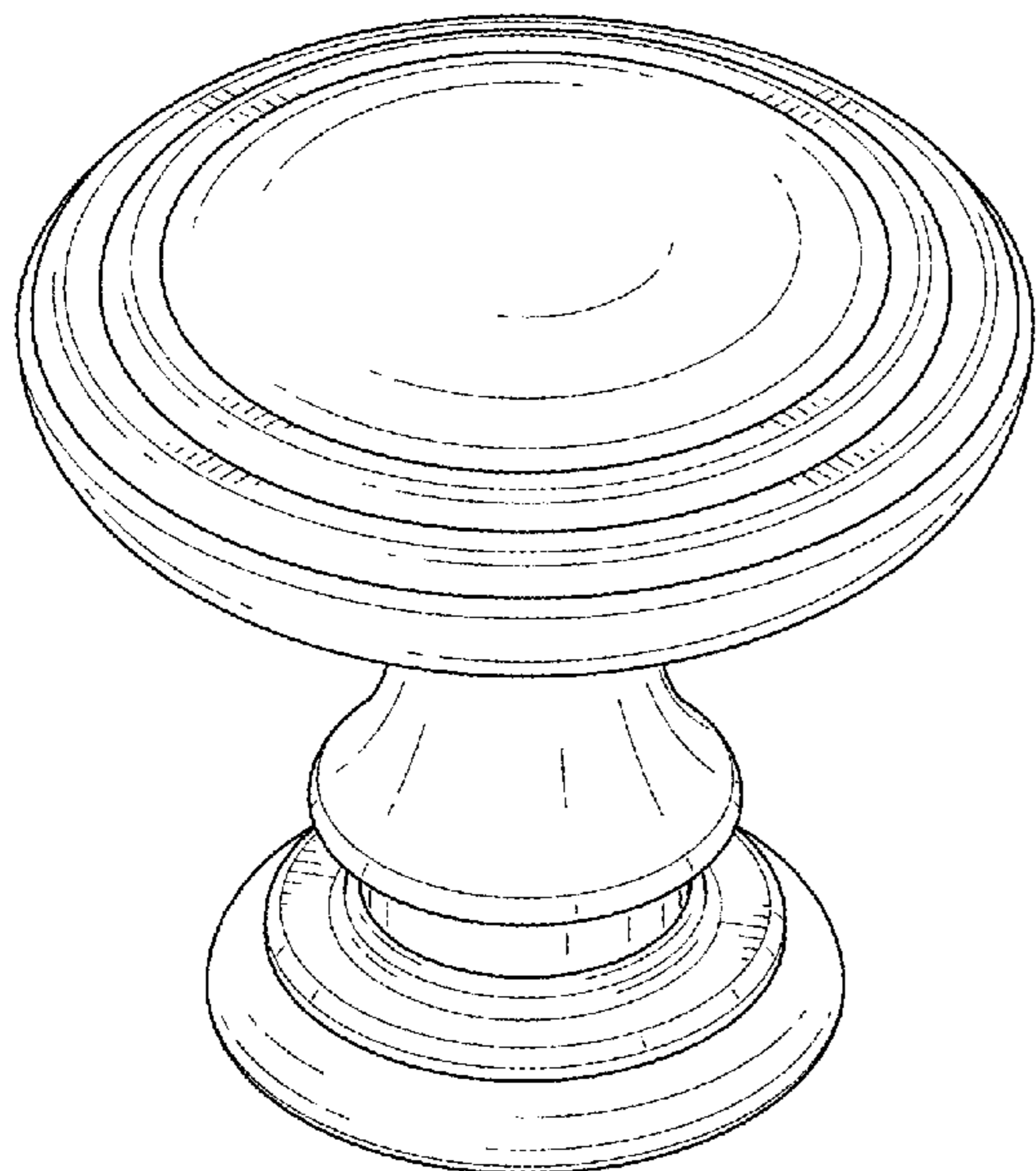
(57) **CLAIM**

The ornamental design for a cabinet knob, as shown and described.

DESCRIPTION

FIG. 1 is a perspective view of a cabinet knob showing my new design;
FIG. 2 is a side elevation view thereof;
FIG. 3 is a top plan view thereof; and,
FIG. 4 is a bottom plan view thereof.
The broken lines shown represent unclaimed subject matter and form no part of the claimed design.

1 Claim, 2 Drawing Sheets



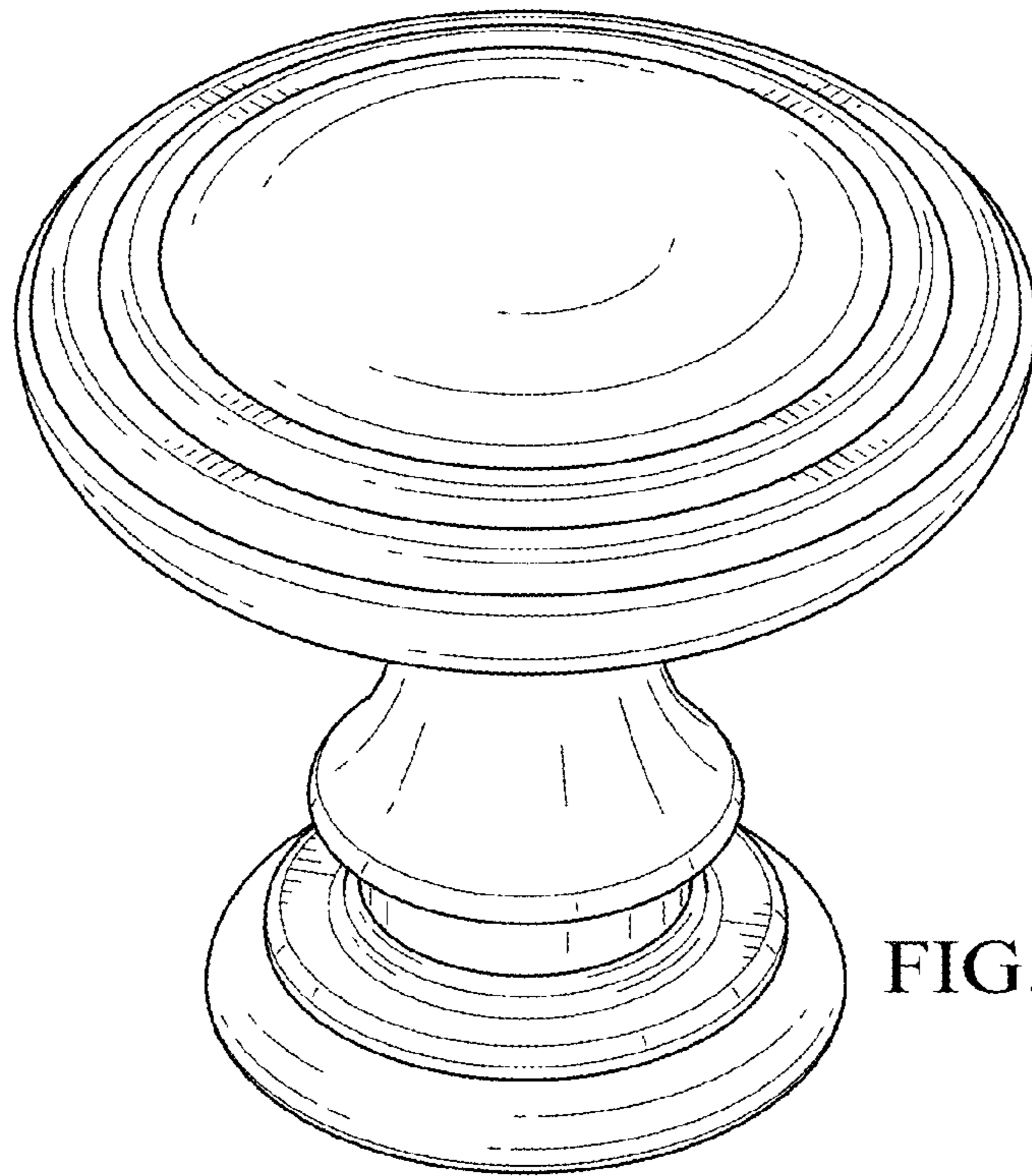


FIG. 1

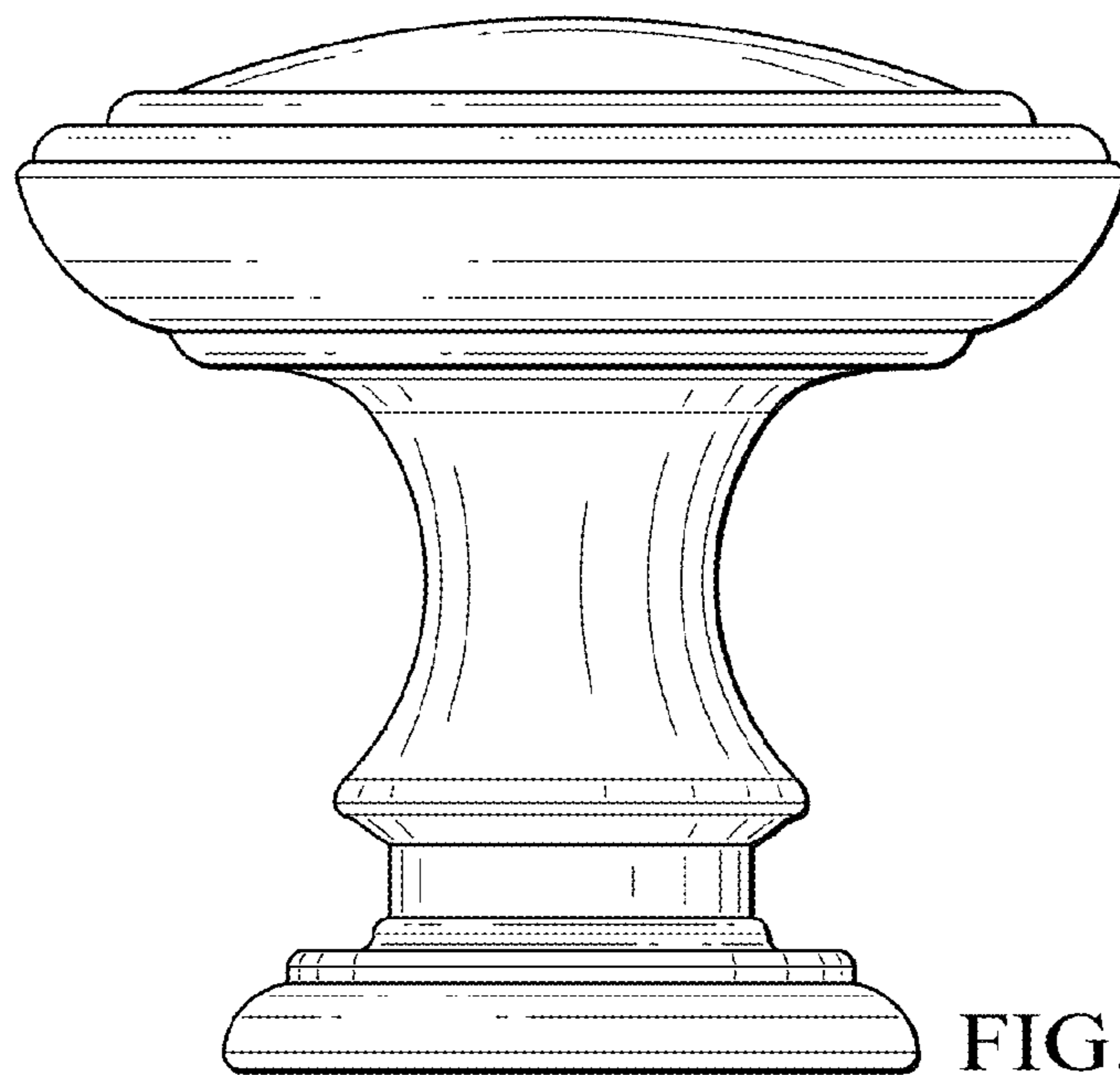


FIG. 2

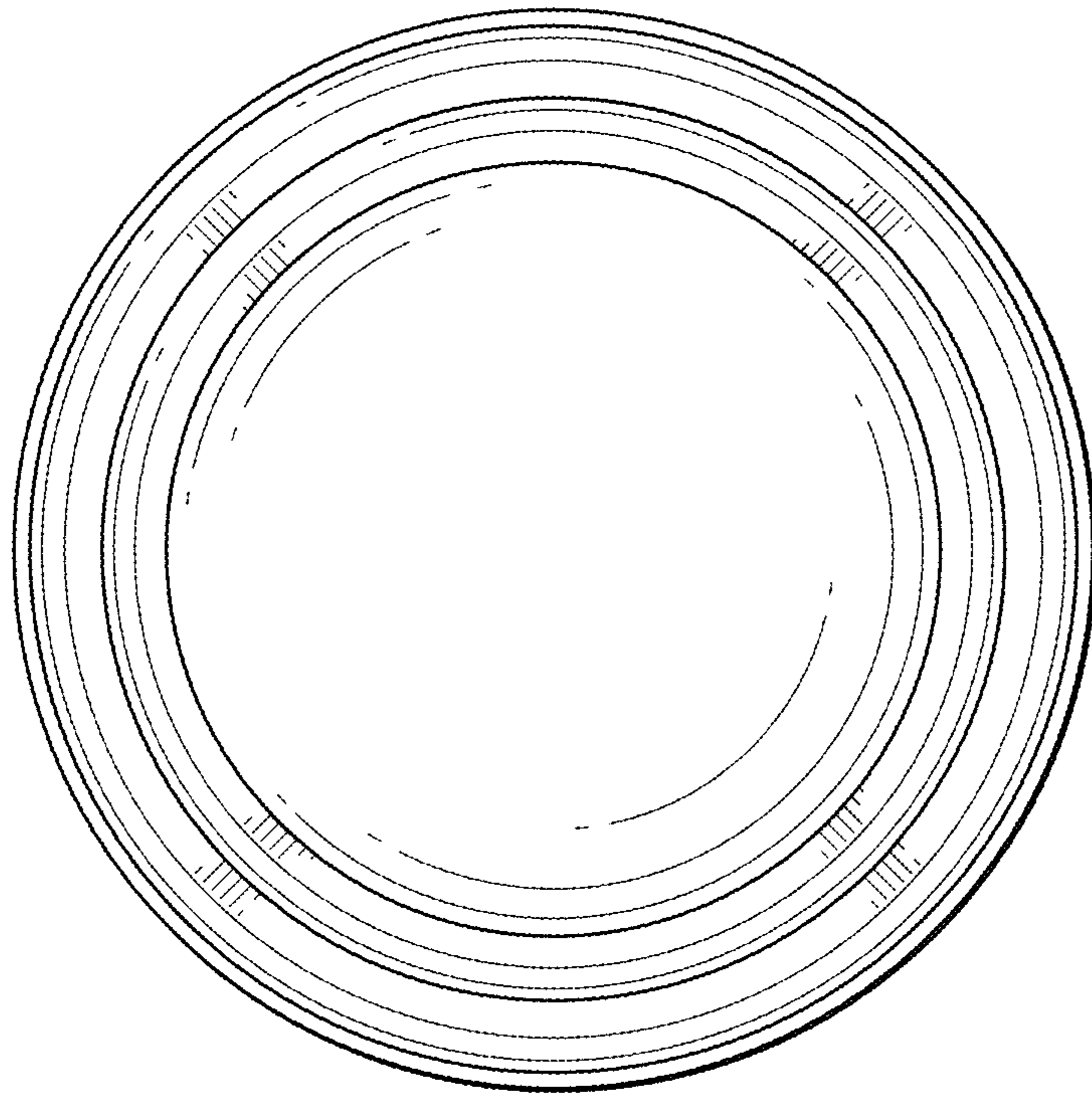


FIG. 3

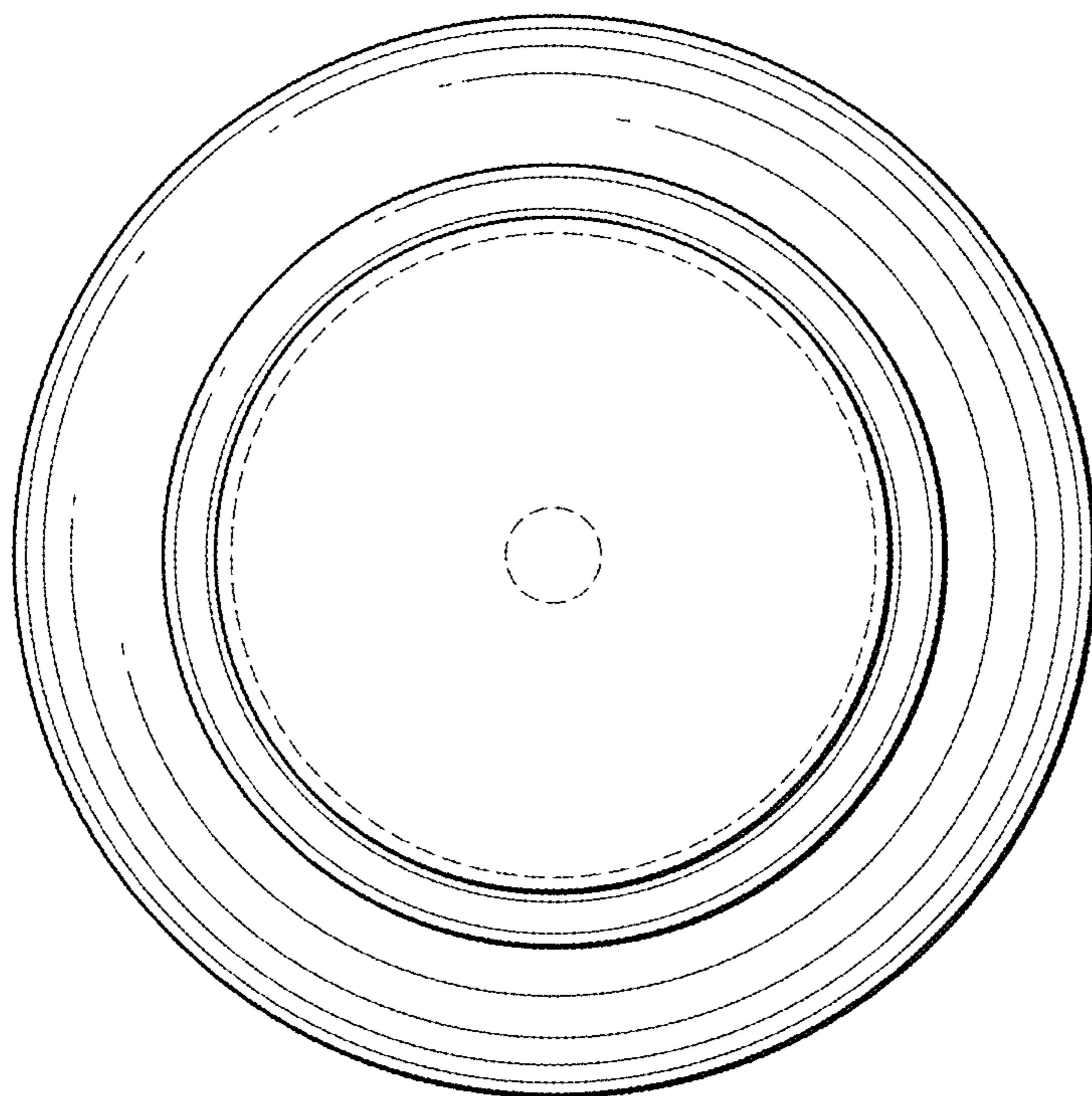


FIG. 4