



US00D723351S

(12) **United States Design Patent**
Nor Eldin

(10) **Patent No.:** **US D723,351 S**
(45) **Date of Patent:** **** Mar. 3, 2015**

- (54) **TOILET SEAT LIFTER**
- (71) Applicant: **Hisham Nor Eldin**, Lansdale, PA (US)
- (72) Inventor: **Hisham Nor Eldin**, Lansdale, PA (US)
- (**) Term: **14 Years**
- (21) Appl. No.: **29/468,157**
- (22) Filed: **Sep. 26, 2013**
- (51) **LOC (10) Cl.** **08-06**
- (52) **U.S. Cl.**
USPC **D8/307**
- (58) **Field of Classification Search**
CPC **A47K 13/10**
USPC **D8/300, 307; D23/311; 4/246.1, 246.3,**
4/246.5; 16/110.1, 422, 443, 905
See application file for complete search history.

3,345,650	A *	10/1967	Waters	4/246.5
3,417,411	A *	12/1968	Greenwood	4/246.3
3,493,974	A *	2/1970	Smith	4/477
3,504,385	A *	4/1970	Fields	4/246.5
3,516,095	A *	6/1970	Clifton et al.	4/246.5
4,592,097	A *	6/1986	Zimmerman	4/246.4
4,951,324	A *	8/1990	Lirette	4/246.1
5,404,595	A *	4/1995	Carmel	4/246.1
5,487,192	A *	1/1996	Hodges	4/246.3
5,867,843	A *	2/1999	Robello et al.	4/246.1
5,978,974	A *	11/1999	Mullen	4/246.5
D423,089	S *	4/2000	Huerta et al.	D8/307
D458,108	S *	6/2002	Corby	D8/307
8,214,933	B1 *	7/2012	Gaudin	4/246.1
2008/0307572	A1 *	12/2008	Leutschaf et al.	4/246.3

* cited by examiner

Primary Examiner — Paula Greene

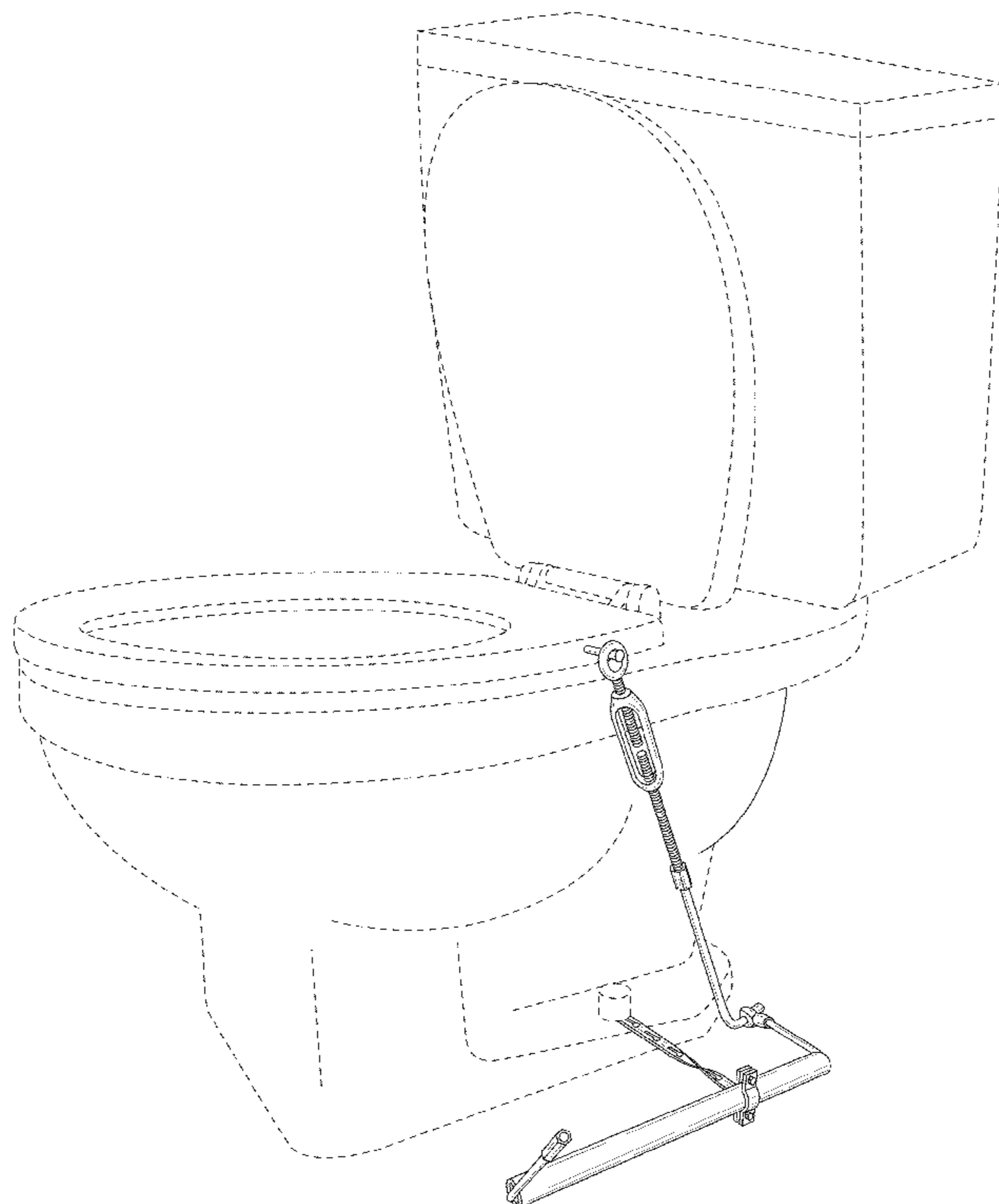
(57) **CLAIM**
The ornamental design for the toilet seat lifter, as shown and described.

- (56) **References Cited**
U.S. PATENT DOCUMENTS
- | | | | | | |
|-----------|-----|---------|---------------|-------|---------|
| 621,790 | A * | 3/1899 | Burger et al. | | 4/246.3 |
| 1,511,533 | A * | 10/1924 | Staszak | | 4/246.5 |
| 1,590,298 | A * | 6/1926 | Landis | | 4/246.5 |
| 1,792,811 | A * | 2/1931 | Bustin | | 4/246.4 |
| 1,856,159 | A * | 5/1932 | Thomas et al. | | 4/246.5 |
| 1,999,070 | A * | 4/1935 | Svedelius | | 4/246.5 |
| 2,155,548 | A * | 4/1939 | Hompesch | | 4/246.3 |
| 2,251,770 | A * | 8/1941 | Warner | | 4/246.3 |
| 2,661,484 | A * | 12/1953 | Jung | | 4/246.5 |
| 2,723,400 | A * | 11/1955 | Wilson | | 4/246.1 |
| 2,776,440 | A * | 1/1957 | Miller | | 4/246.3 |
| 3,055,016 | A * | 9/1962 | Kemp | | 4/246.5 |

DESCRIPTION

FIG. 1 is a perspective view of the present invention operably engaged with a toilet; and, FIG. 2 is a front view of the present invention; and FIG. 3 is a rear view of the present invention; and FIG. 4 is a right side view of the present invention; and, FIG. 5 is a left side view of the present invention; and, Wherein the dotted lines herein form no part of the claimed design and are included to illustrate use and environment only.

1 Claim, 3 Drawing Sheets



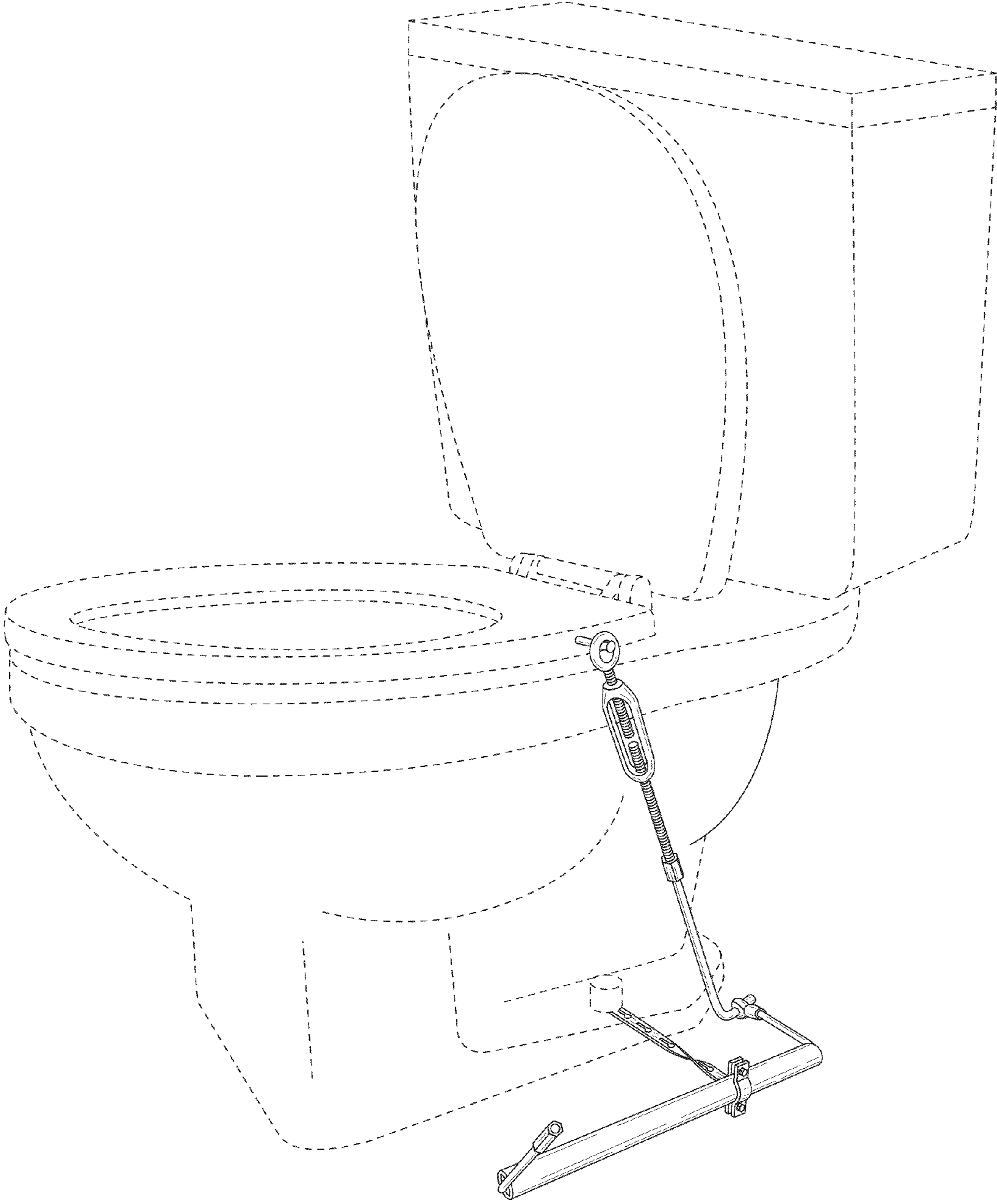


FIG. 1

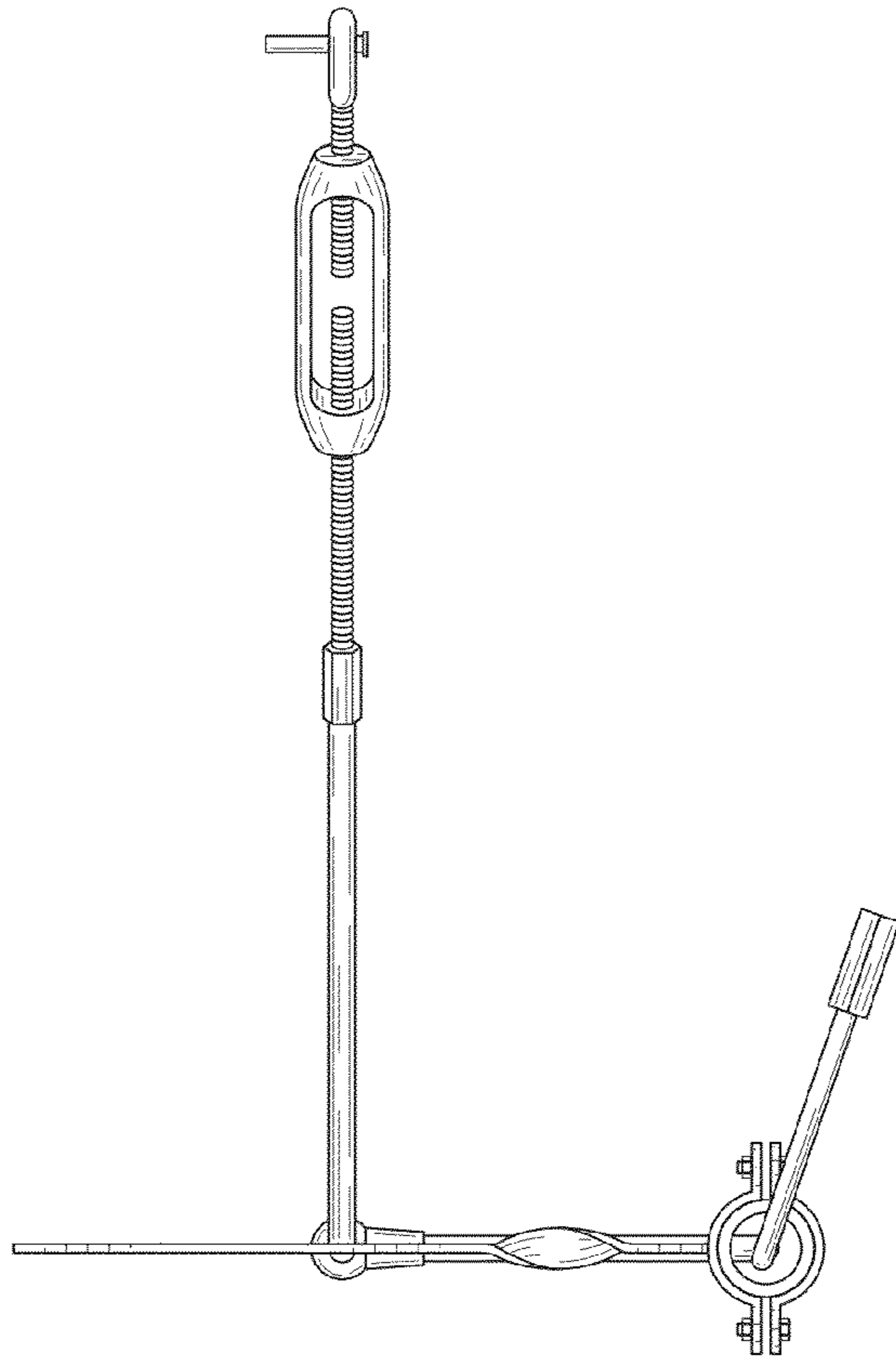


FIG. 2

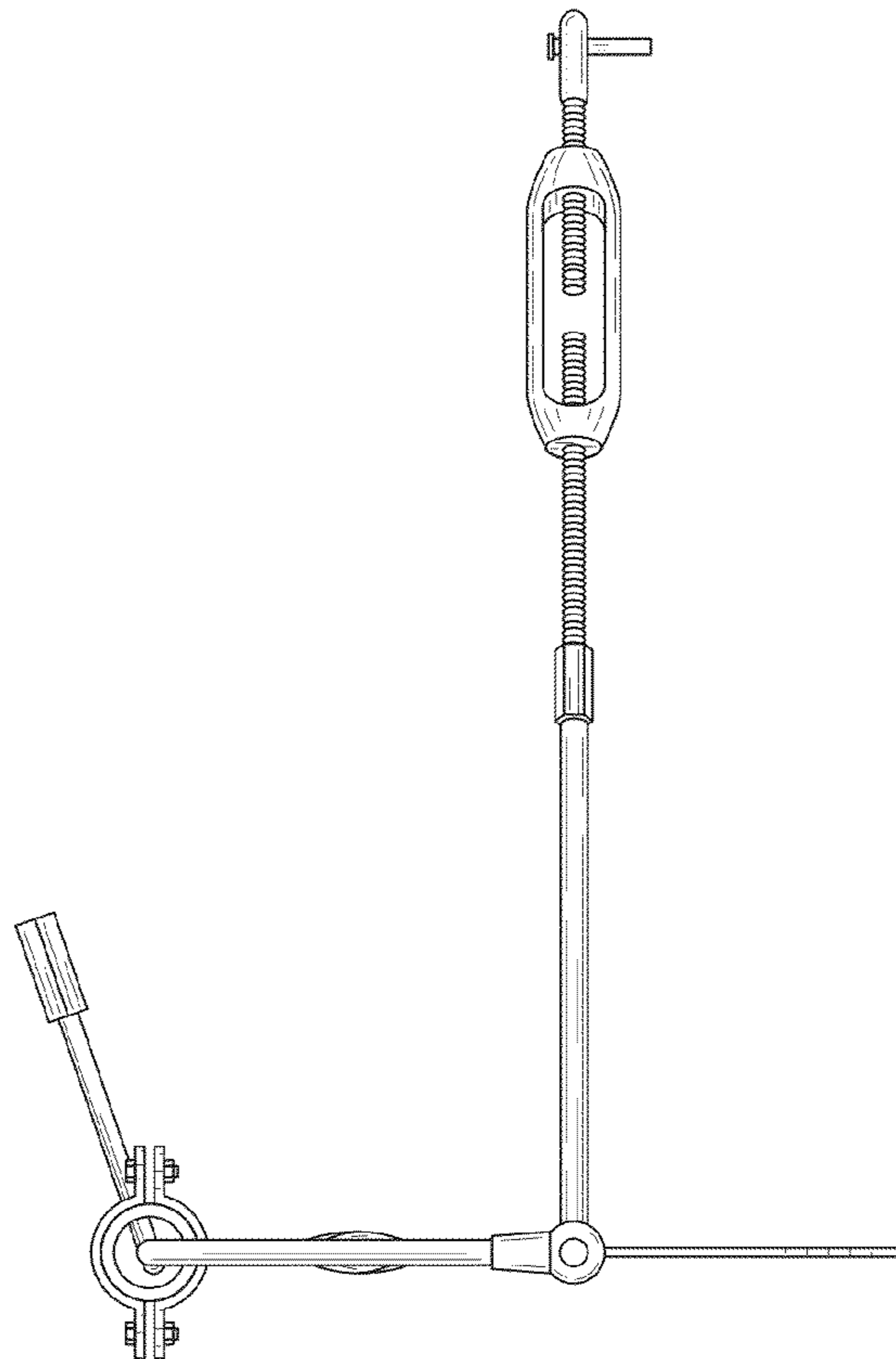


FIG. 3

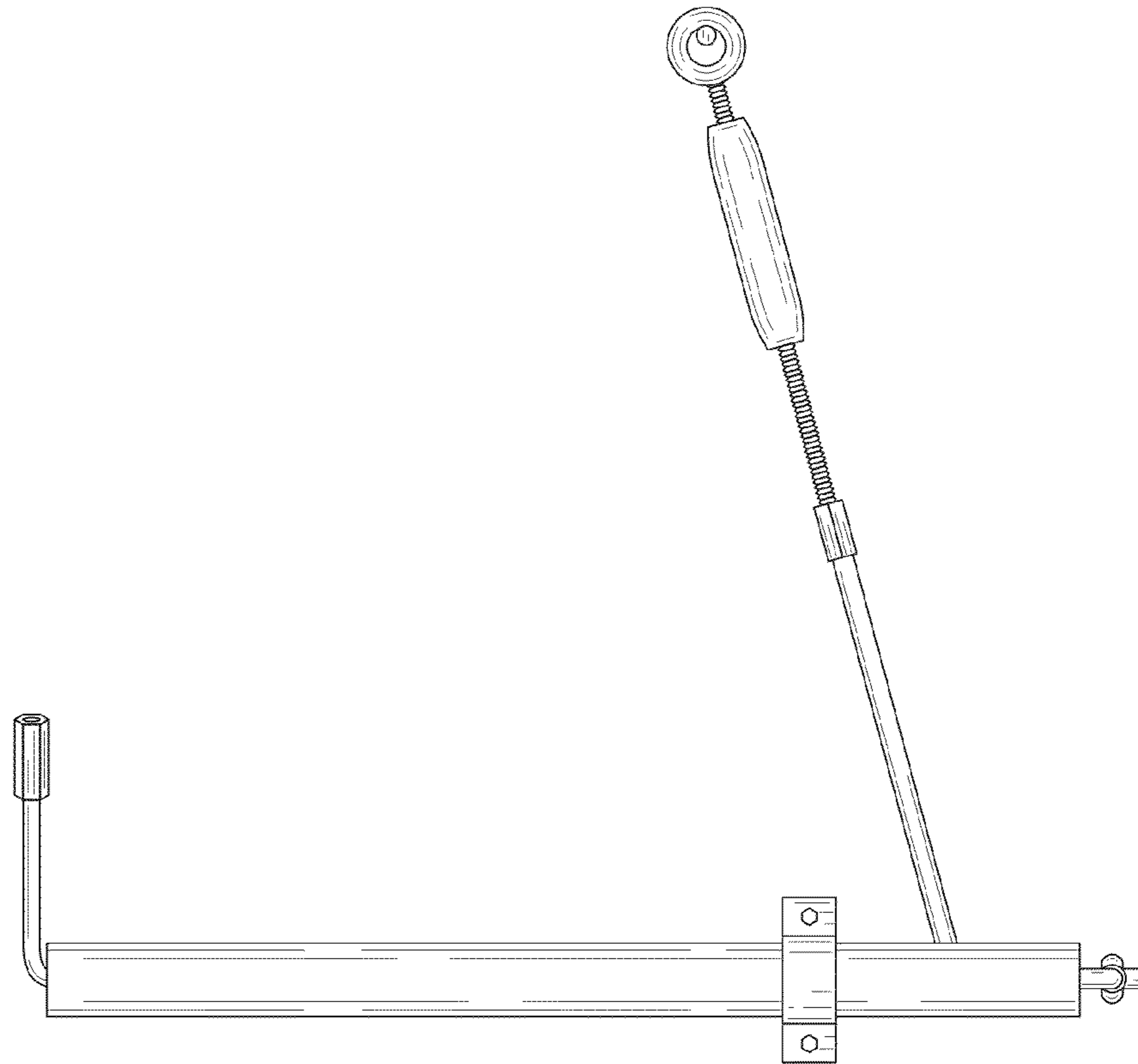


FIG. 4

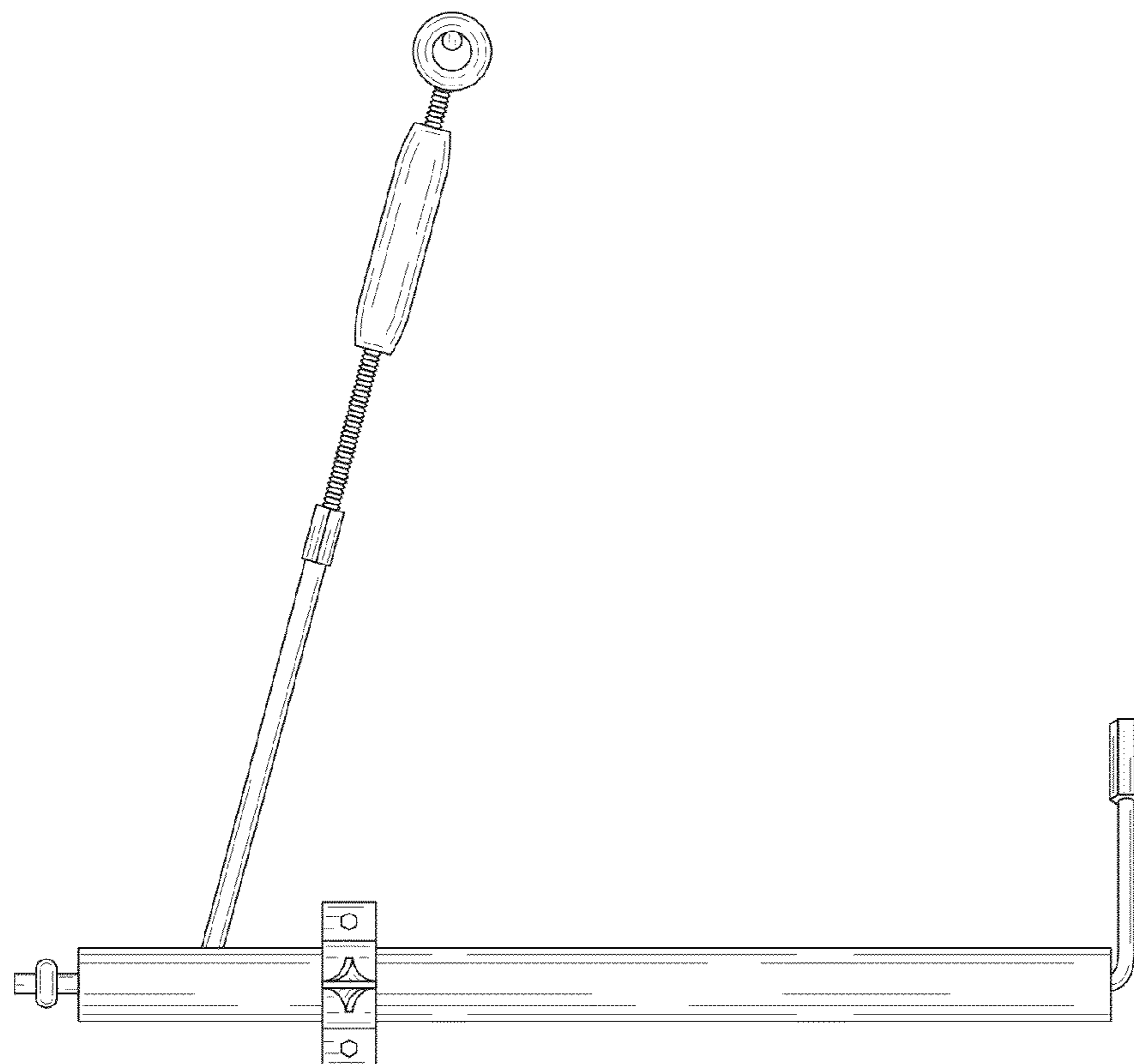


FIG. 5