



US00D723350S

(12) **United States Design Patent**  
**Harrison**

(10) **Patent No.:** **US D723,350 S**  
(45) **Date of Patent:** **\*\* Mar. 3, 2015**

- (54) **WOOD CABINET SWAG**
- (71) Applicant: **Christopher Guy Harrison**, Fort Myers, FL (US)
- (72) Inventor: **Christopher Guy Harrison**, Fort Myers, FL (US)
- (\*\*) Term: **14 Years**
- (21) Appl. No.: **29/468,915**
- (22) Filed: **Oct. 4, 2013**
- (51) **LOC (10) Cl.** ..... **08-06**
- (52) **U.S. Cl.**  
USPC ..... **D8/305; D8/300**
- (58) **Field of Classification Search**  
CPC ..... A47B 95/02  
USPC ..... D8/300, 305, 313, 318, 315, 316, 378, D8/310, DIG. 1; D2/500, 504, 508, 823, D2/842; D17/2; D6/668.1, 664, 663, D6/664.1, 665, 580, 581, 671.1, 575, 578, D6/579; 16/110.1, 436, 430, 431, 415; D99/21, 37, 41, 11; D9/670; D11/202, D11/43, 79, 221, 7; D25/138; 312/303  
See application file for complete search history.

(56) **References Cited**

**U.S. PATENT DOCUMENTS**

1,652,982	A *	12/1927	Grean	.....	2/91
D75,699	S *	7/1928	Salterini	.....	D26/154
D92,644	S *	7/1934	Burkhard	.....	D99/11
D95,596	S *	5/1935	Lewis	.....	D9/670
D97,567	S *	11/1935	Stein	.....	D9/670
D100,393	S *	7/1936	Stein	.....	D9/670
D151,962	S *	12/1948	Buchner	.....	D6/434
D158,930	S *	6/1950	Burgold	.....	D6/446
2,585,686	A *	2/1952	Rossant	.....	2/91
D197,883	S *	4/1964	Crain	.....	D8/313
3,257,284	A *	6/1966	Post	.....	376/140

3,613,117	A *	10/1971	Gingerich	.....	2/149
D312,761	S *	12/1990	Tremonti	.....	D8/305
D315,088	S *	3/1991	Tremonti	.....	D8/319
D315,089	S *	3/1991	Tremonti	.....	D8/319
D373,549	S *	9/1996	Bova	.....	D11/7
D375,887	S *	11/1996	Tatum et al.	.....	D8/305
D391,466	S *	3/1998	Caugh et al.	.....	D8/305
6,175,964	B1 *	1/2001	Adler	.....	2/207
D449,192	S *	10/2001	Sheward	.....	D6/580
6,753,074	B1 *	6/2004	Weder	.....	428/221
D514,920	S *	2/2006	Elwell et al.	.....	D8/322
D515,398	S *	2/2006	Elwell	.....	D8/322
D595,066	S *	6/2009	Thompson	.....	D6/445
D599,136	S *	9/2009	Jeup	.....	D6/446
D602,758	S *	10/2009	Jou	.....	D8/315
2004/0048012	A1 *	3/2004	Weder	.....	428/34.1

\* cited by examiner

*Primary Examiner* — Paula Greene

(74) *Attorney, Agent, or Firm* — Greenberg Traurig, LLP

(57) **CLAIM**

The ornamental design for a wood cabinet swag, as shown and described.

**DESCRIPTION**

FIG. 1 is a front perspective view of my new wood cabinet swag design.

FIG. 2 is a front elevational view of my new wood cabinet swag design.

FIG. 3 is a back elevational view of my new wood cabinet swag design.

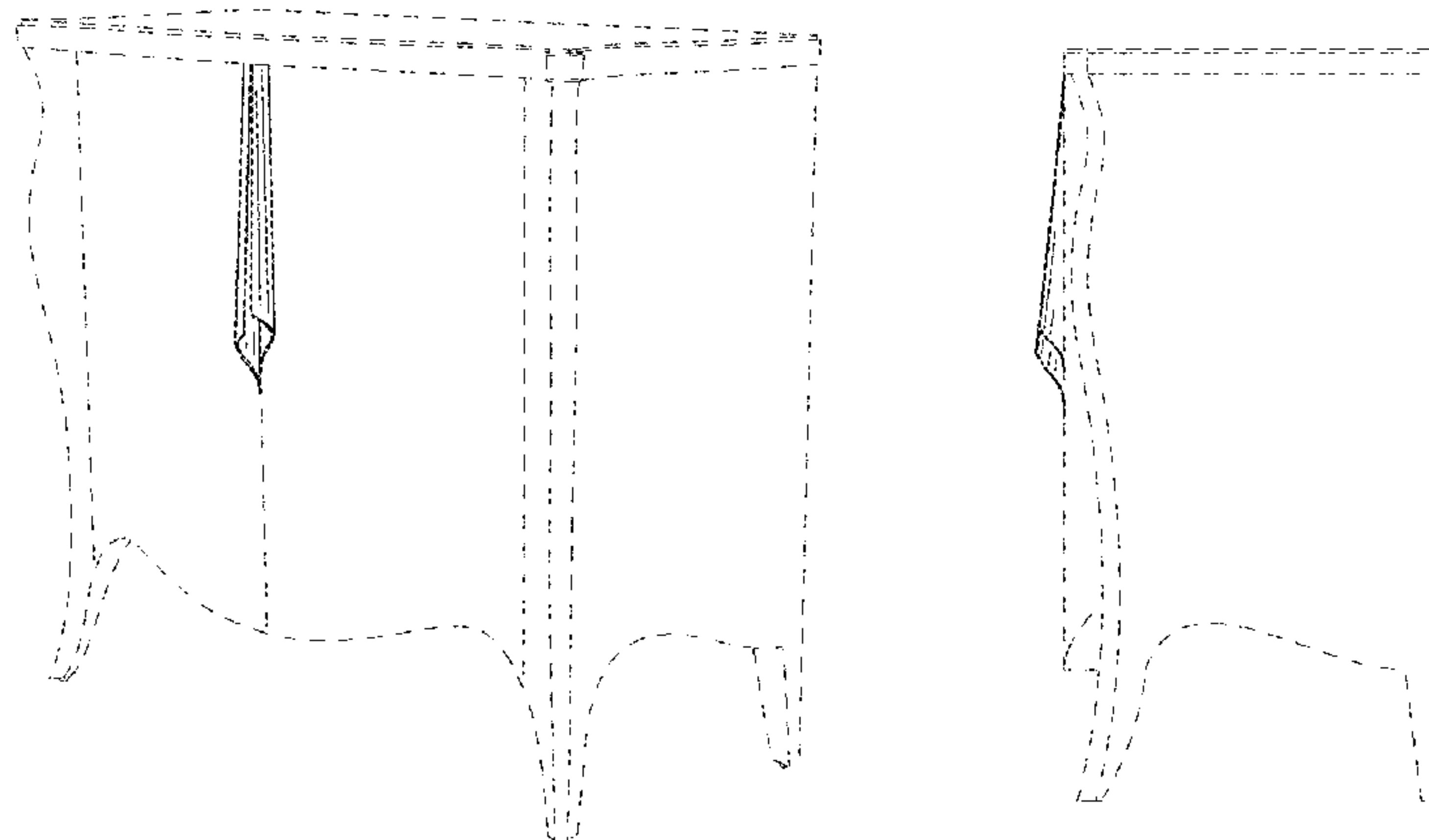
FIG. 4 is a right side elevational view of the wood cabinet swag shown in FIG. 1.

FIG. 5 is a left side elevational view of the wood cabinet swag shown in FIG. 1; and,

FIG. 6 is a top plan view of the wood cabinet swag shown in FIG. 1.

The broken lines form no part of the claimed design.

**1 Claim, 5 Drawing Sheets**



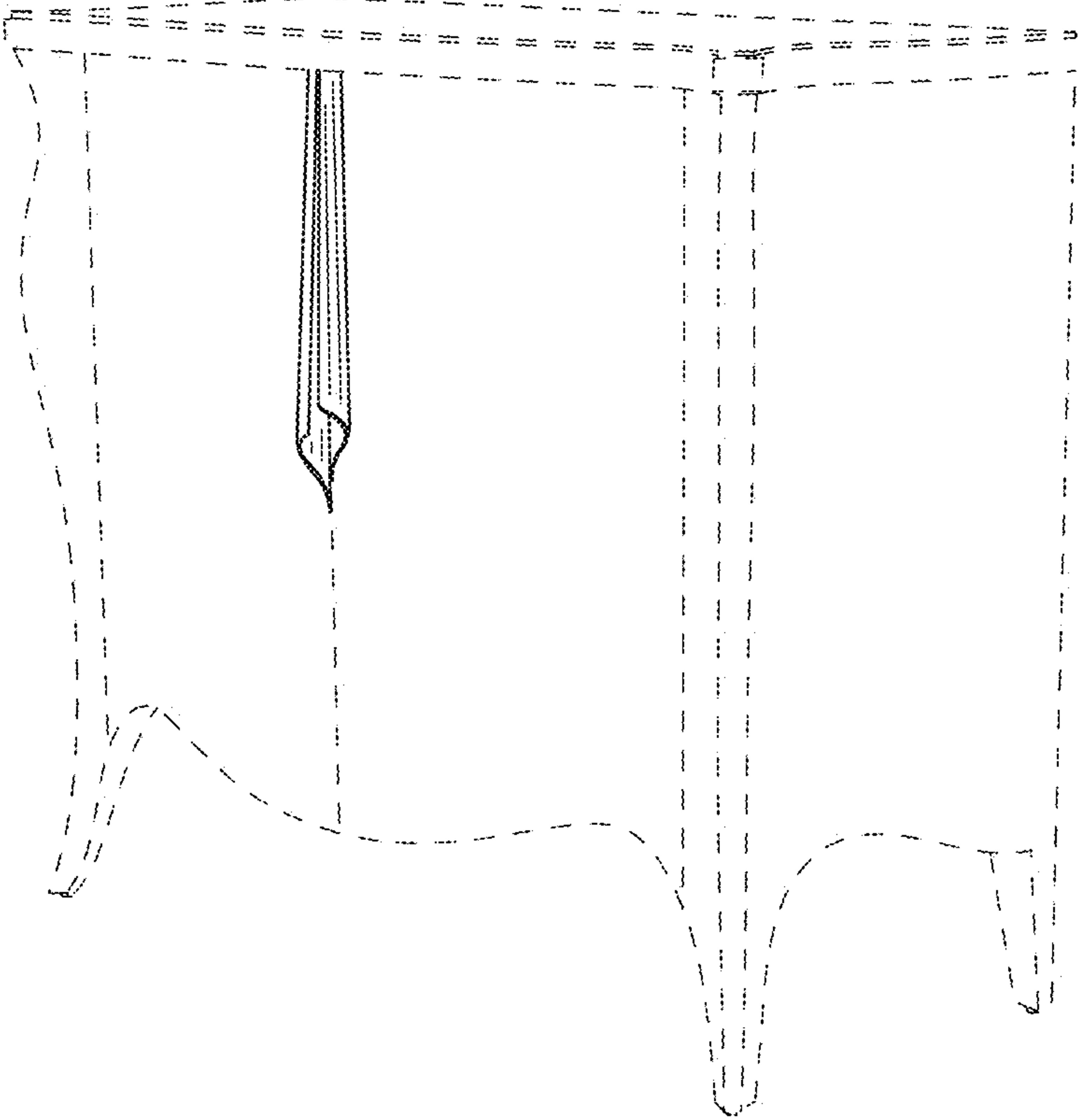


FIG.1

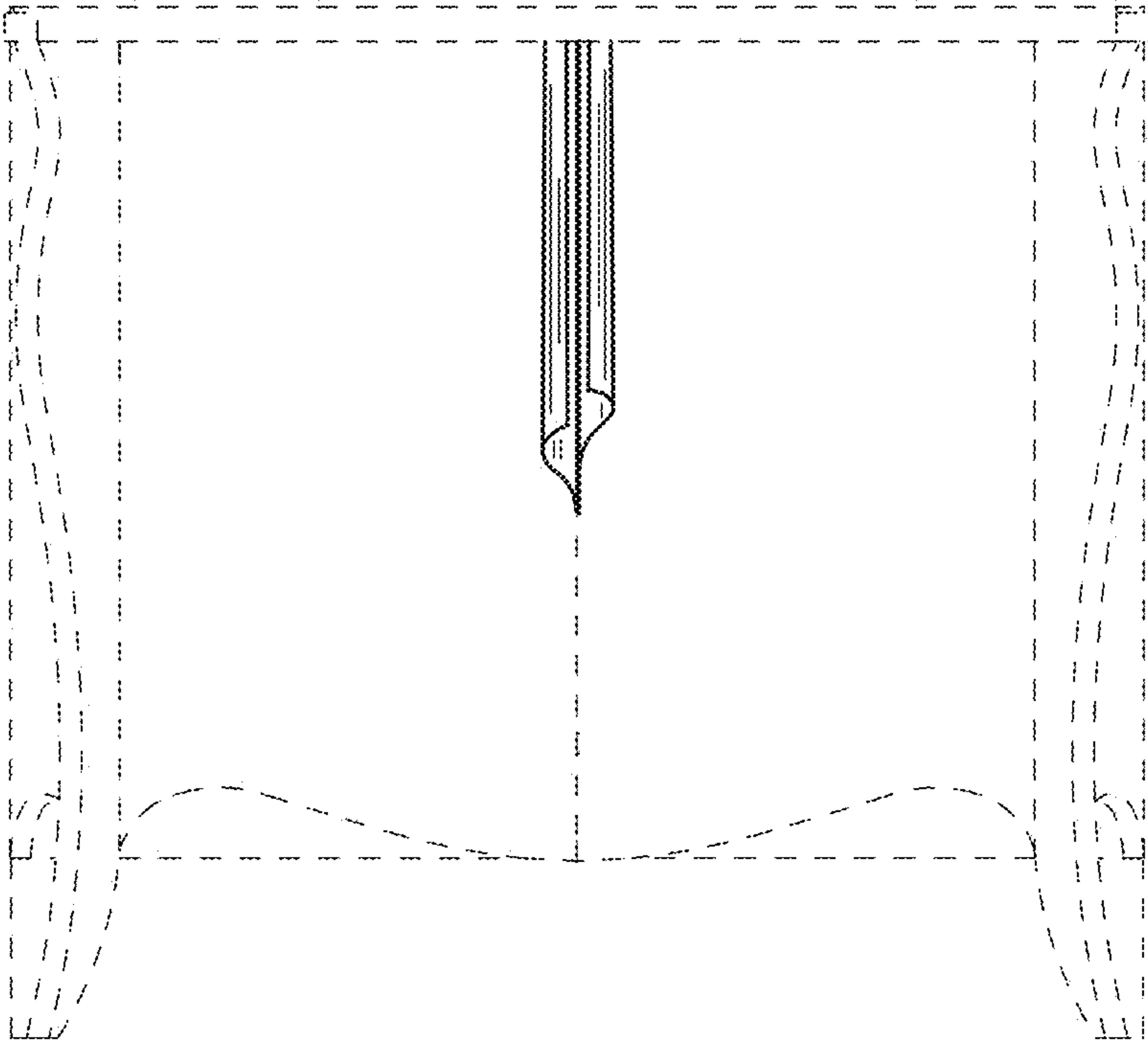


FIG.2

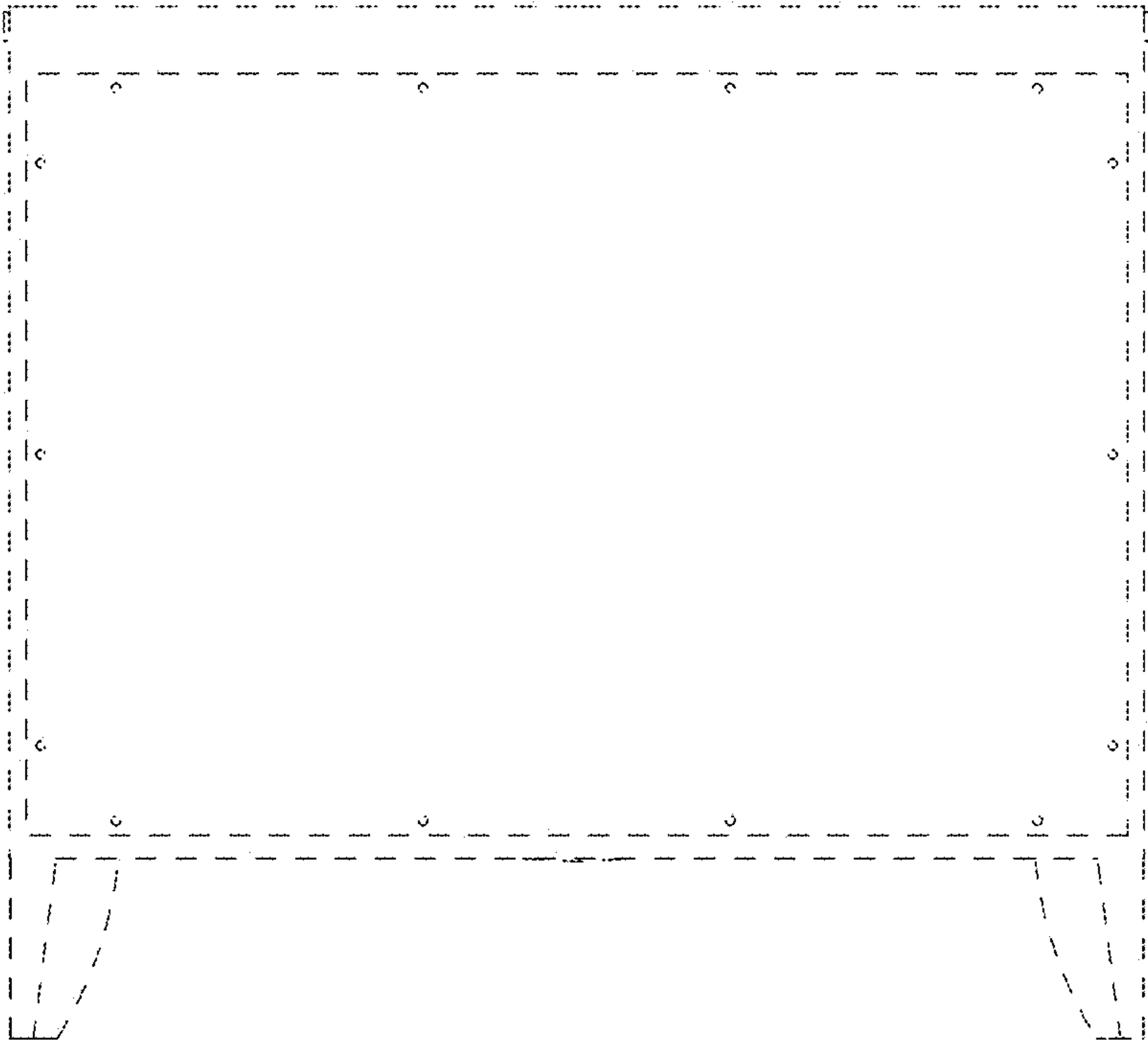


FIG.3

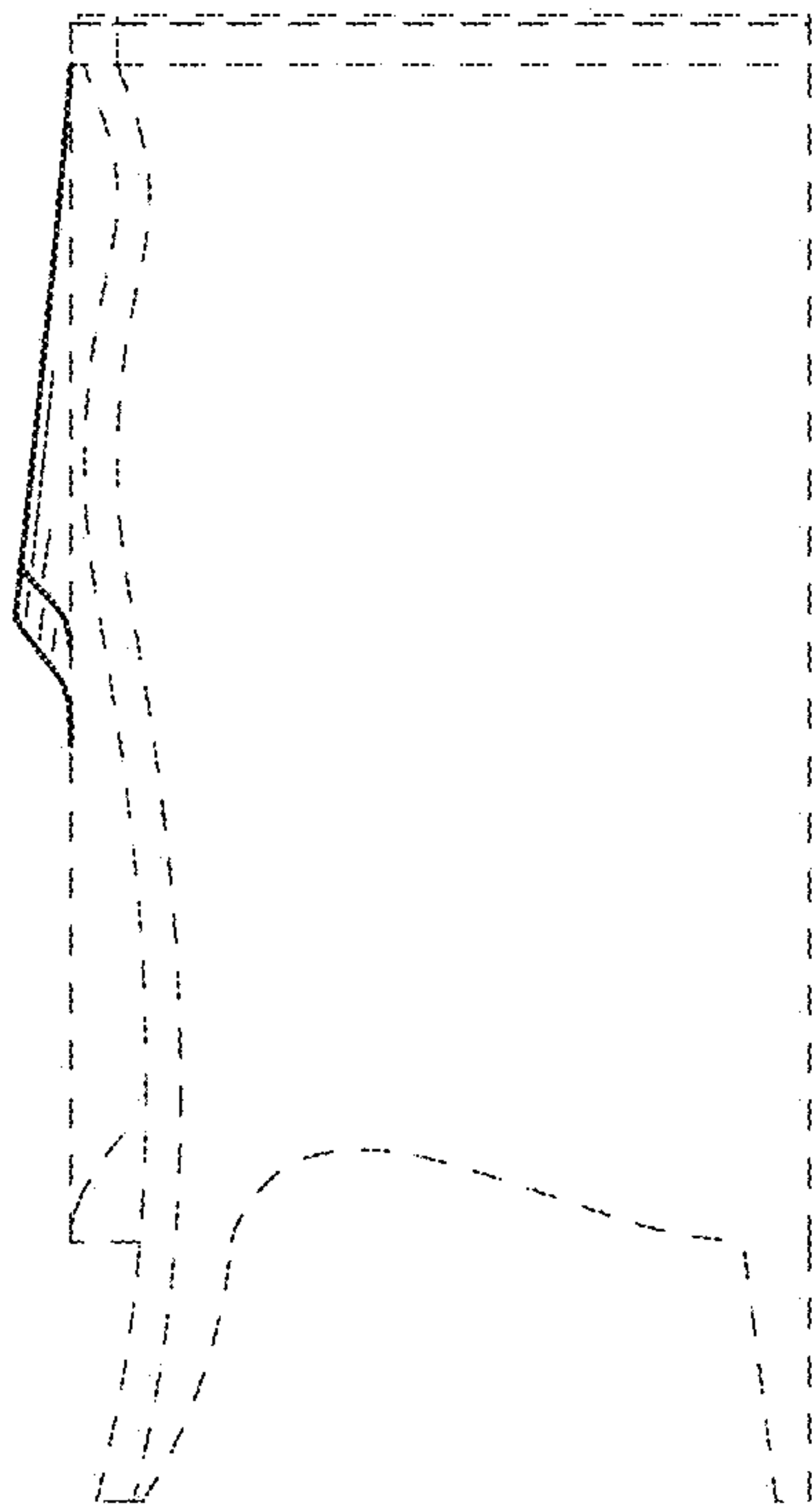


FIG.4

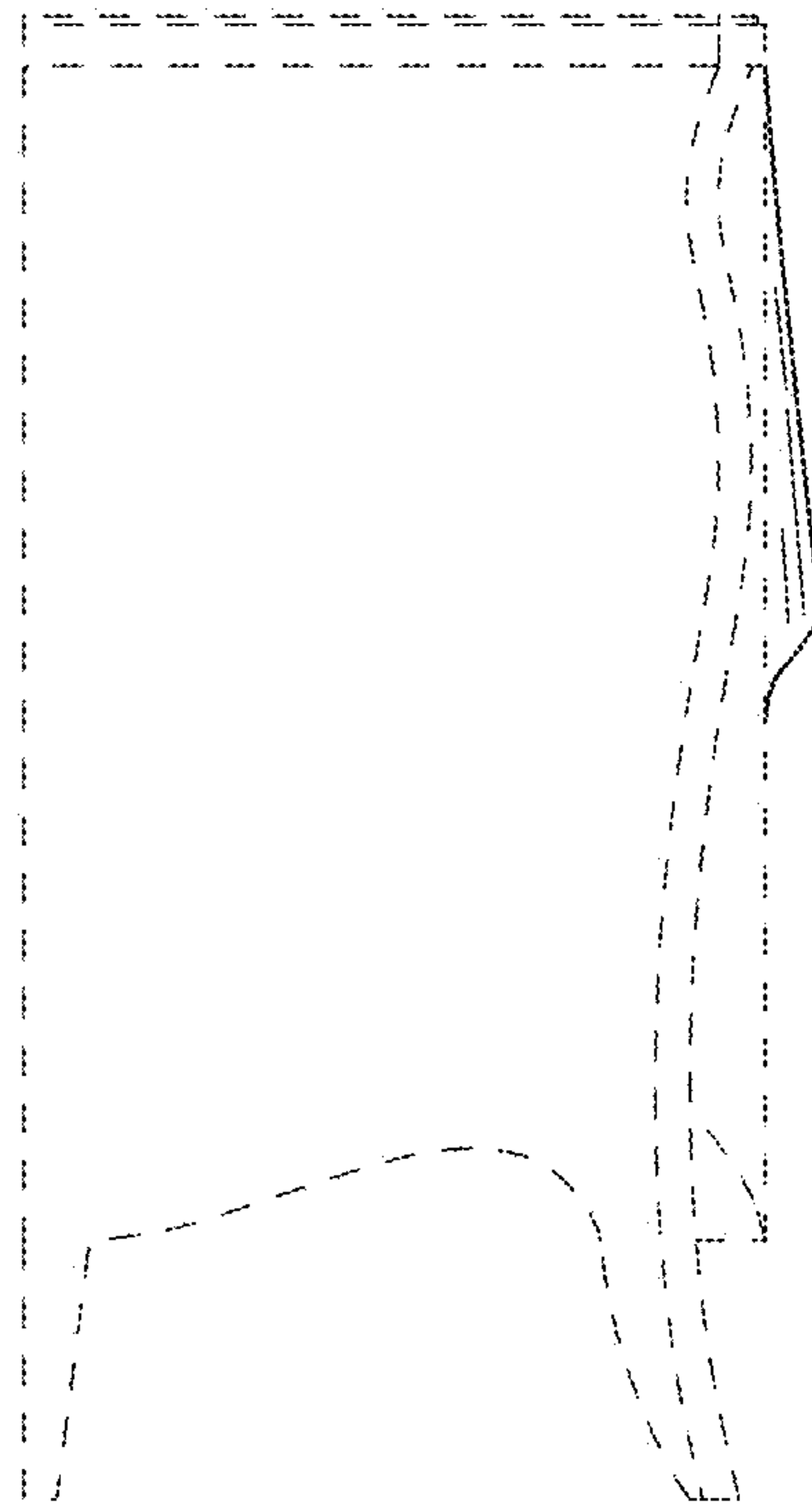


FIG.5

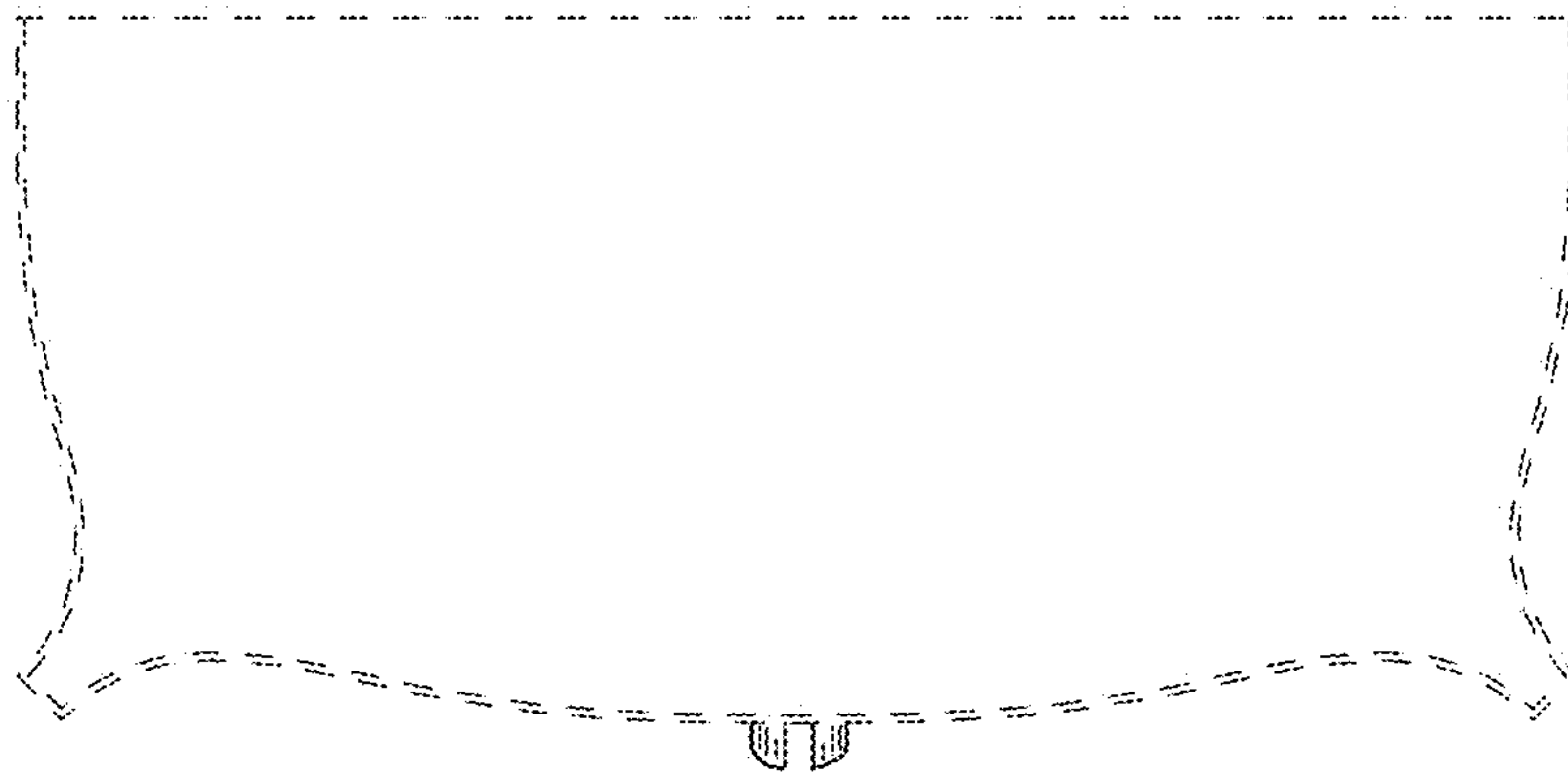


FIG. 6