



US00D723347S

(12) **United States Design Patent**
Sundheim et al.

(10) **Patent No.:** **US D723,347 S**
(45) **Date of Patent:** **** Mar. 3, 2015**

(54) **MANUAL CLAMP**

(71) Applicant: **Gregory S. Sundheim**, Englewood, CO (US)

(72) Inventors: **Gregory S. Sundheim**, Englewood, CO (US); **Andrew D. Pena**, Englewood, CO (US); **Christian L. Pena**, Englewood, CO (US)

(73) Assignee: **Gregory S. Sundheim**, Englewood, CO (US)

(**) Term: **14 Years**

(21) Appl. No.: **29/479,502**

(22) Filed: **Jan. 16, 2014**

(51) **LOC (10) Cl.** **08-05**

(52) **U.S. Cl.**

USPC **D8/72**

(58) **Field of Classification Search**

USPC D8/71-74, 394-399, 59; 248/63, 72, 248/74.1, 689, 124.2; 81/487, 385, 386, 81/388-390; 269/3, 4, 6, 143, 165, 240, 269/243, 246-249, 254 R, 147-149; 29/256, 29/257, 276

See application file for complete search history.

(56) **References Cited**

U.S. PATENT DOCUMENTS

1,809,768 A * 6/1931 Wetzler 29/256
D283,197 S * 4/1986 Pappas D8/72

D302,101 S * 7/1989 Livick D8/71
4,858,902 A * 8/1989 Hickman 269/88
D342,006 S * 12/1993 Schrock et al. D8/72
5,301,934 A * 4/1994 Lynn et al. 269/222
D367,421 S * 2/1996 Powers D8/402
D419,415 S * 1/2000 Richter D8/71
6,722,027 B2 * 4/2004 Peckham et al. 29/832
D640,522 S * 6/2011 Livingston et al. D8/74
D673,830 S * 1/2013 Jones et al. D8/74
D677,141 S * 3/2013 Gordon D8/74
2011/0285070 A1 * 11/2011 Hovarter 269/167

* cited by examiner

Primary Examiner — David Muller

(74) *Attorney, Agent, or Firm* — W. Scott Carson

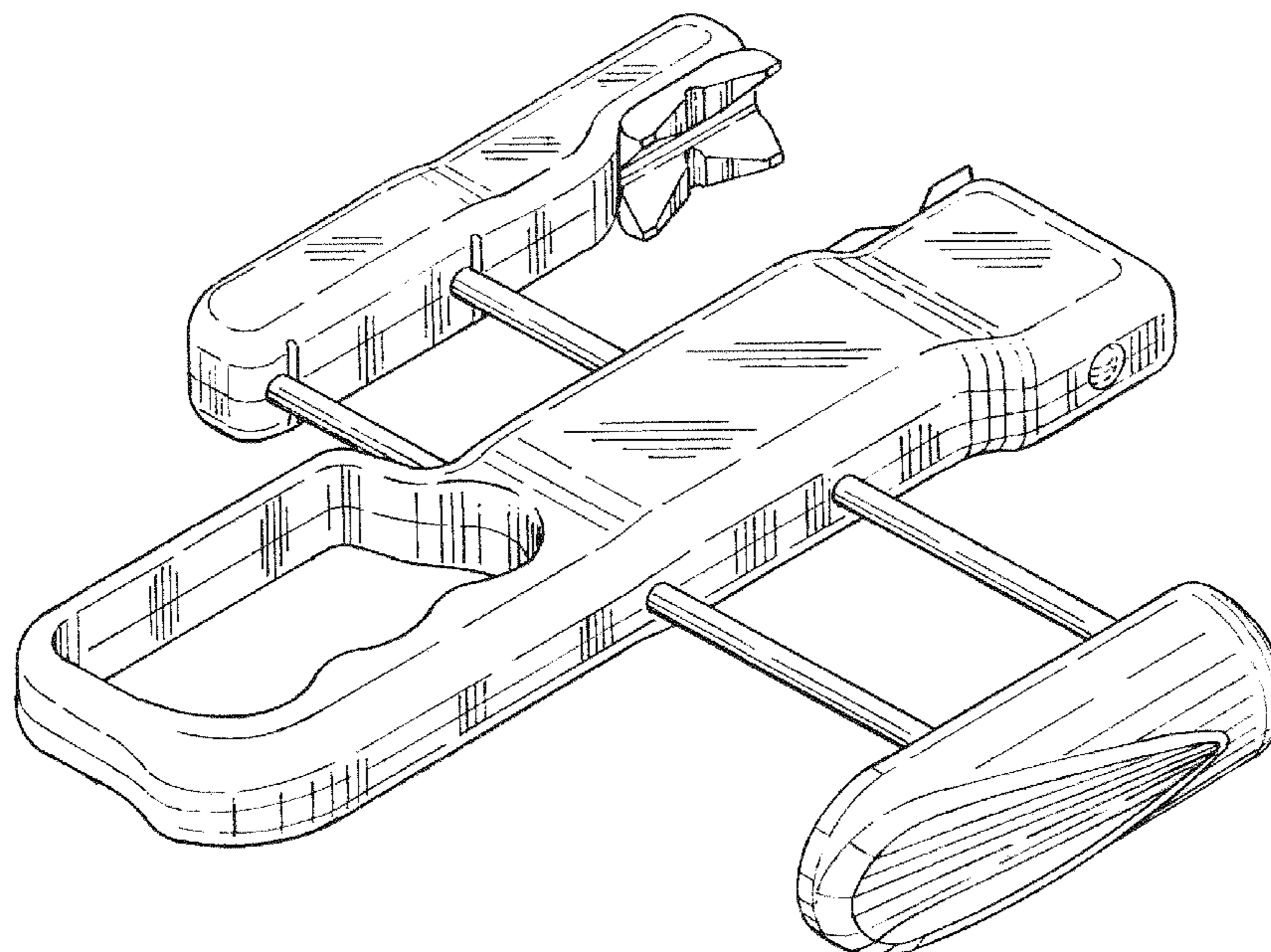
(57) **CLAIM**

The ornamental design for a manual clamp, as shown and described.

DESCRIPTION

FIG. 1 is a perspective view of a manual clamp showing our new design;
FIG. 2 is a front elevational view thereof;
FIG. 3 is a rear elevational view thereof;
FIG. 4 is a right side elevational view thereof.
FIG. 5 is a left side elevational view thereof;
FIG. 6 is a top plan view thereof; and,
FIG. 7 is a bottom plan view thereof.
The features shown in broken lines depict environmental structure only and form no part of the claimed design.

1 Claim, 6 Drawing Sheets



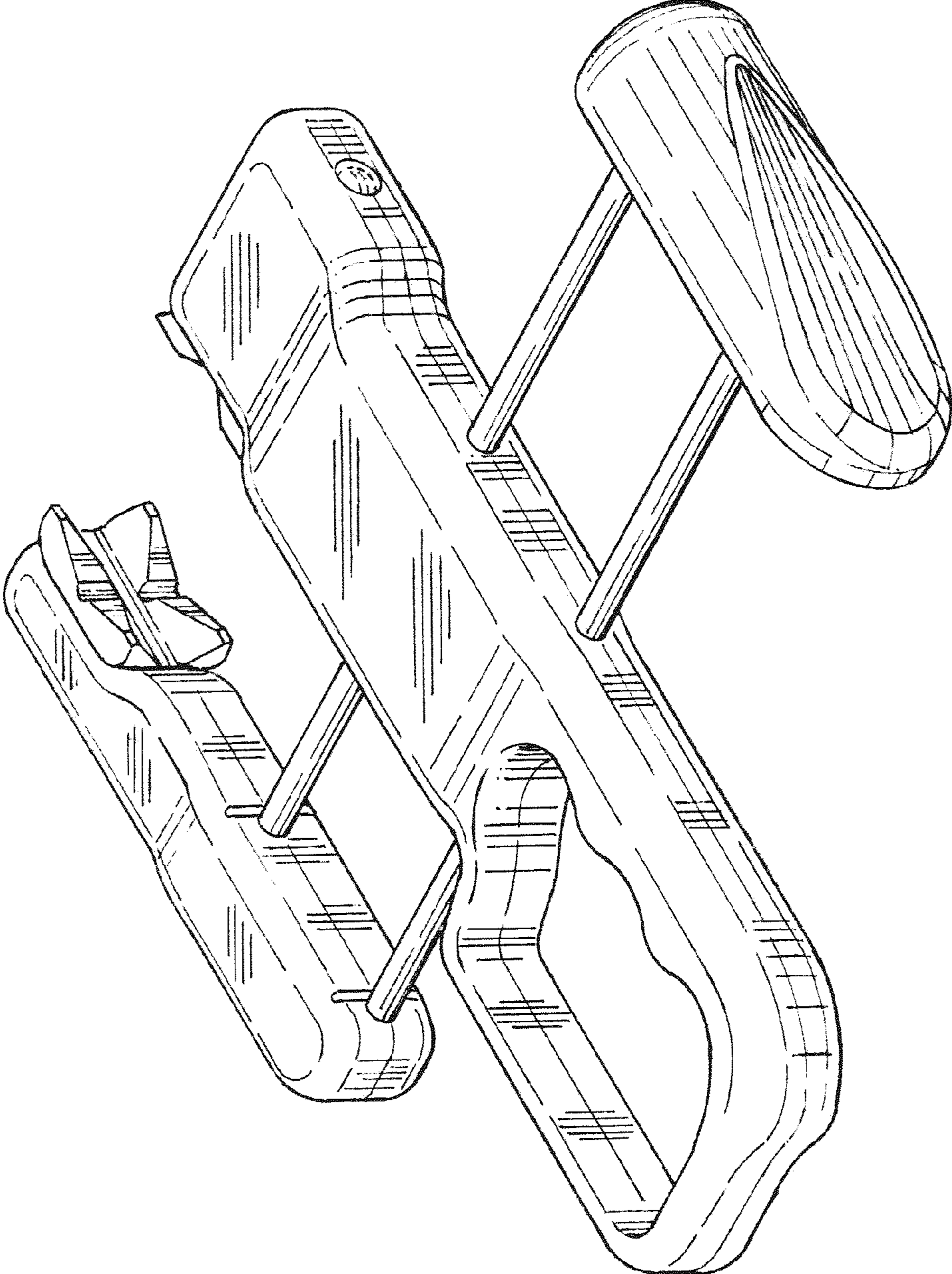


Fig. 1

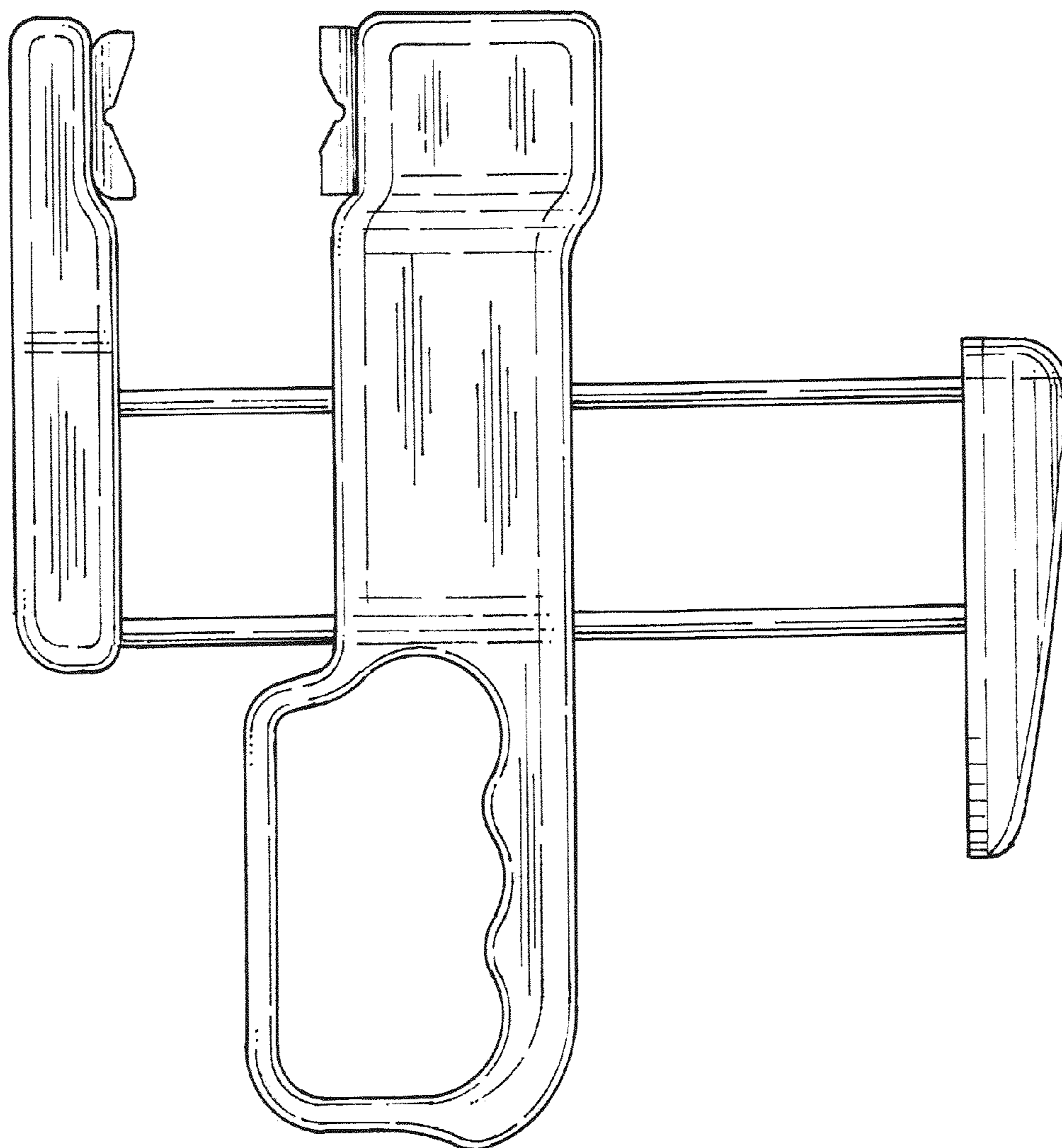


Fig. 2

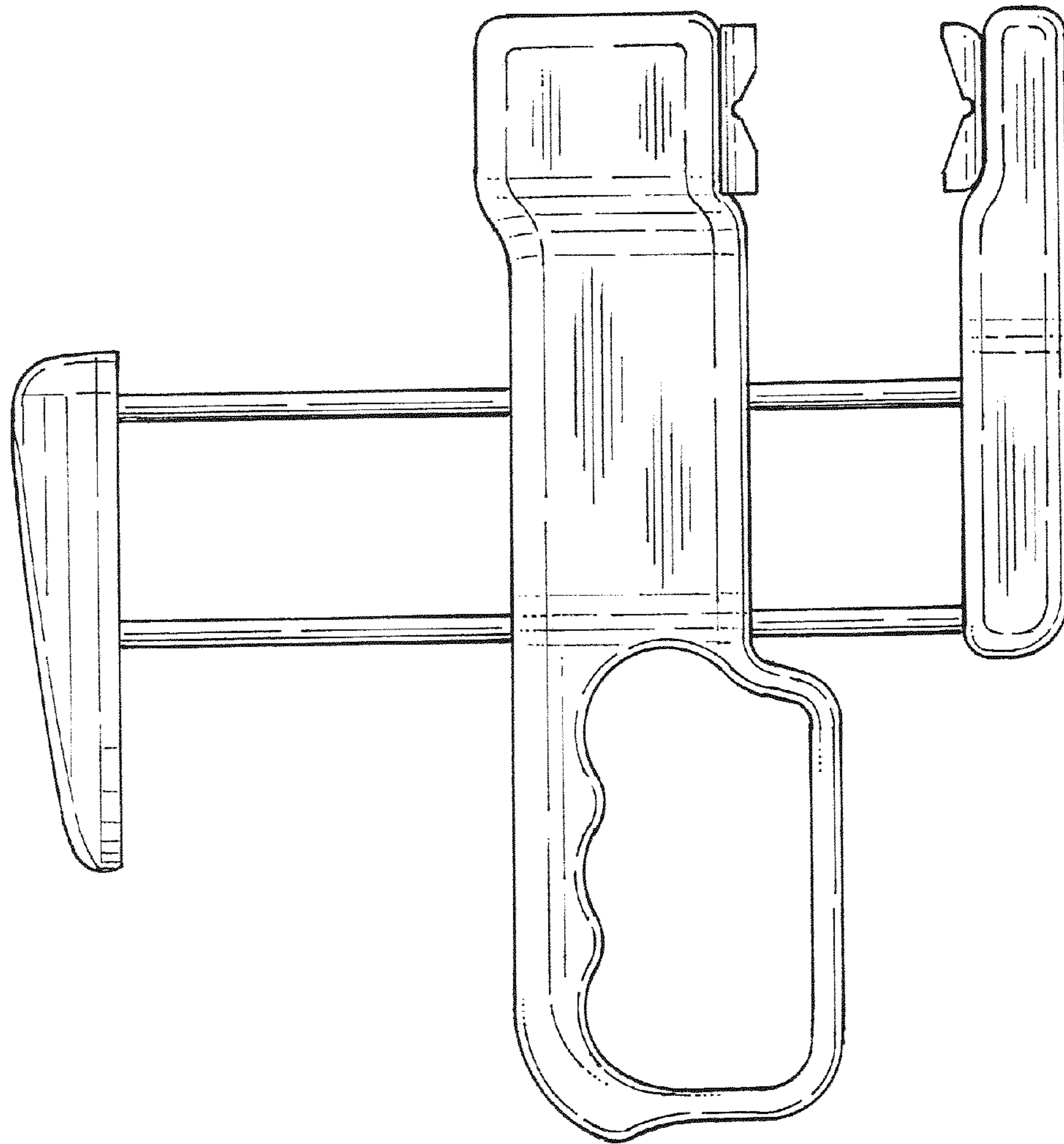


Fig. 3

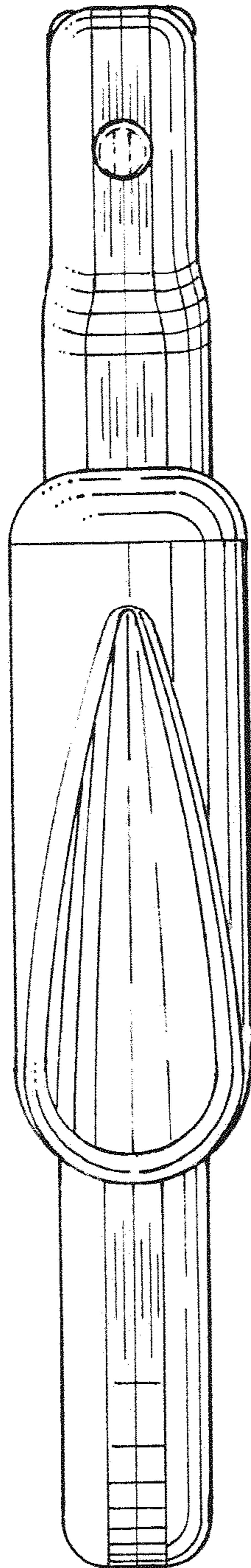


Fig. 4

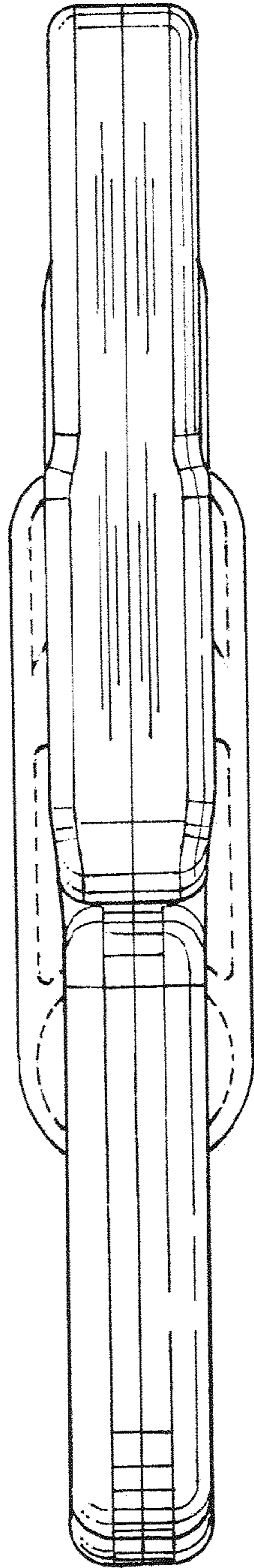


Fig. 5

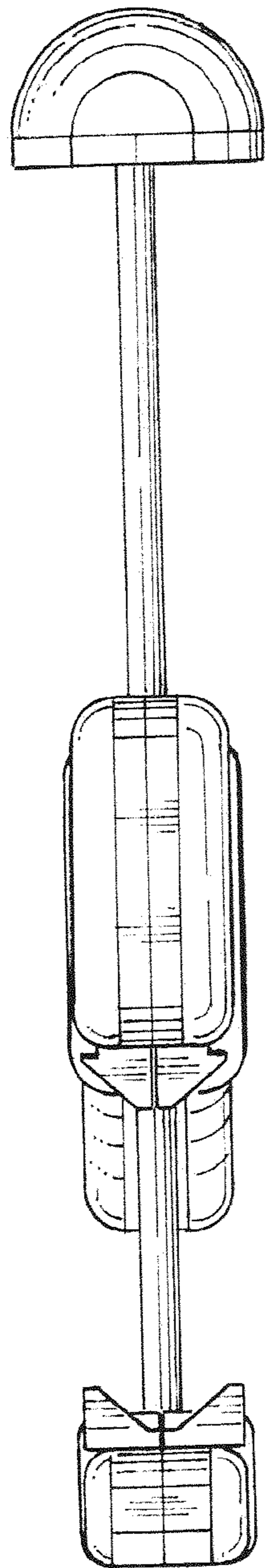


Fig. 6

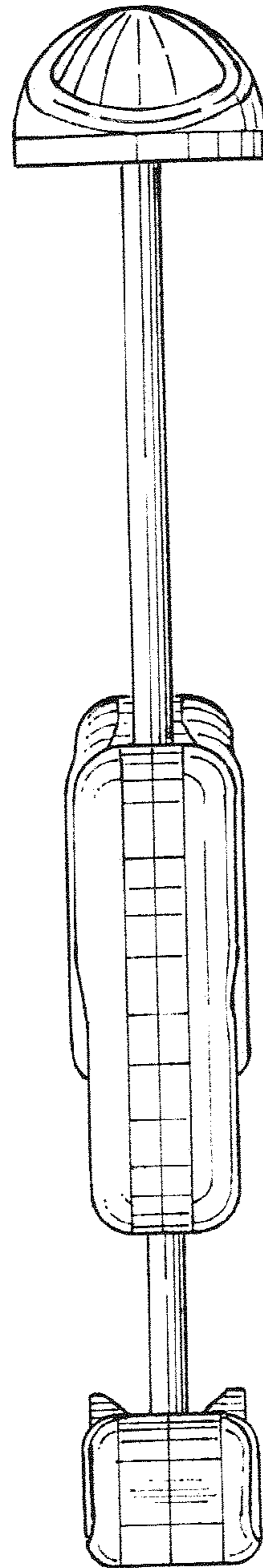


Fig. 7