



US00D723346S

(12) **United States Design Patent**
Boyd, Jr. et al.

(10) **Patent No.:** **US D723,346 S**
(45) **Date of Patent:** **** Mar. 3, 2015**

- (54) **CONNECTOR RELEASE TOOL**
- (71) Applicants: **Ronald E. Boyd, Jr.**, Chichester, NH (US); **Kim Albright**, Warner, NH (US)
- (72) Inventors: **Ronald E. Boyd, Jr.**, Chichester, NH (US); **Kim Albright**, Warner, NH (US)
- (73) Assignee: **OSRAM SYLVANIA Inc.**, Danvers, MA (US)

D359,208	S *	6/1995	Ivey	D8/14
6,401,571	B1 *	6/2002	Schuman	81/53.1
6,817,089	B2 *	11/2004	Whitehead	29/764
7,534,128	B2 *	5/2009	Caveney et al.	439/480
7,814,634	B2 *	10/2010	Francis et al.	29/426.5
8,434,206	B2 *	5/2013	Yu	29/283

* cited by examiner

Primary Examiner — Phillip S Hyder
(74) *Attorney, Agent, or Firm* — Edward S. Podszus

(**) Term: **14 Years**
(21) Appl. No.: **29/464,460**

(57) **CLAIM**
The ornamental design for a connector release tool, as shown and described.

- (22) Filed: **Aug. 16, 2013**
- (51) **LOC (10) Cl.** **08-05**
- (52) **U.S. Cl.**
USPC **D8/14**
- (58) **Field of Classification Search**
USPC D8/14; 29/758, 764; 211/17, 26, 41
See application file for complete search history.

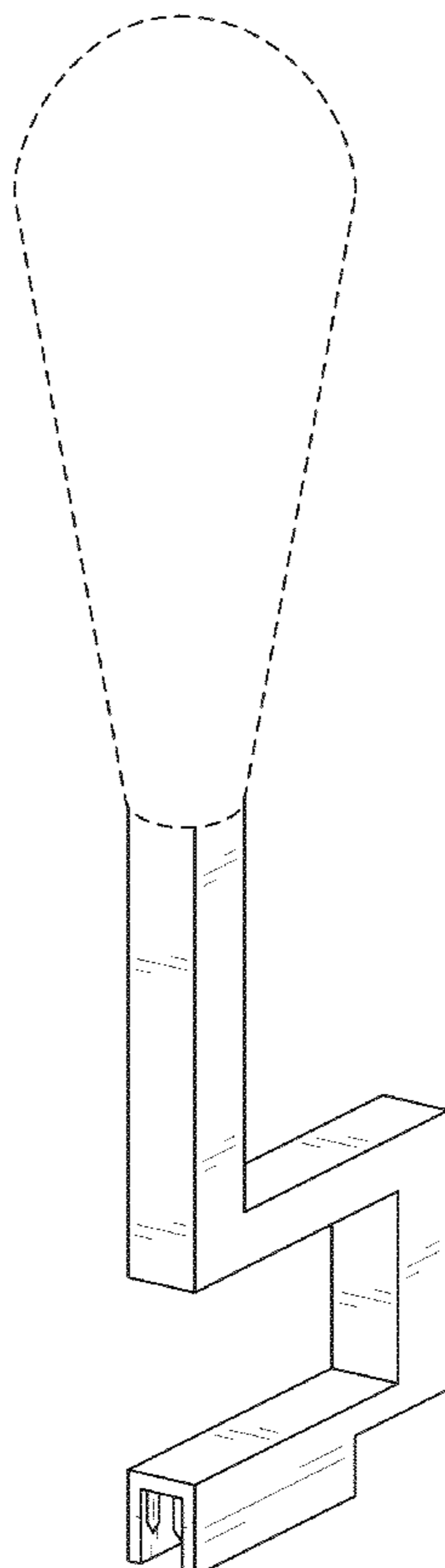
DESCRIPTION

FIG. 1 is a perspective view of the new design for a connector release tool as seen from the front, left side; FIG. 2 is a front elevational view thereof; FIG. 3 is a rear elevational view thereof; FIG. 4 is a right side view thereof; FIG. 5 is a left side view thereof; FIG. 6 is a top plan view thereof; and, FIG. 7 is a bottom plan view thereof.

The broken lines depict portions of the connector release tool in which the design is embodied that are not considered part of the claimed design.

- (56) **References Cited**
U.S. PATENT DOCUMENTS
887,643 A * 5/1908 Jackson 81/124.2
D264,300 S * 5/1982 Imm D8/28
4,852,925 A * 8/1989 Lodin 294/2
D340,389 S * 10/1993 Yamanashi D8/14

1 Claim, 4 Drawing Sheets



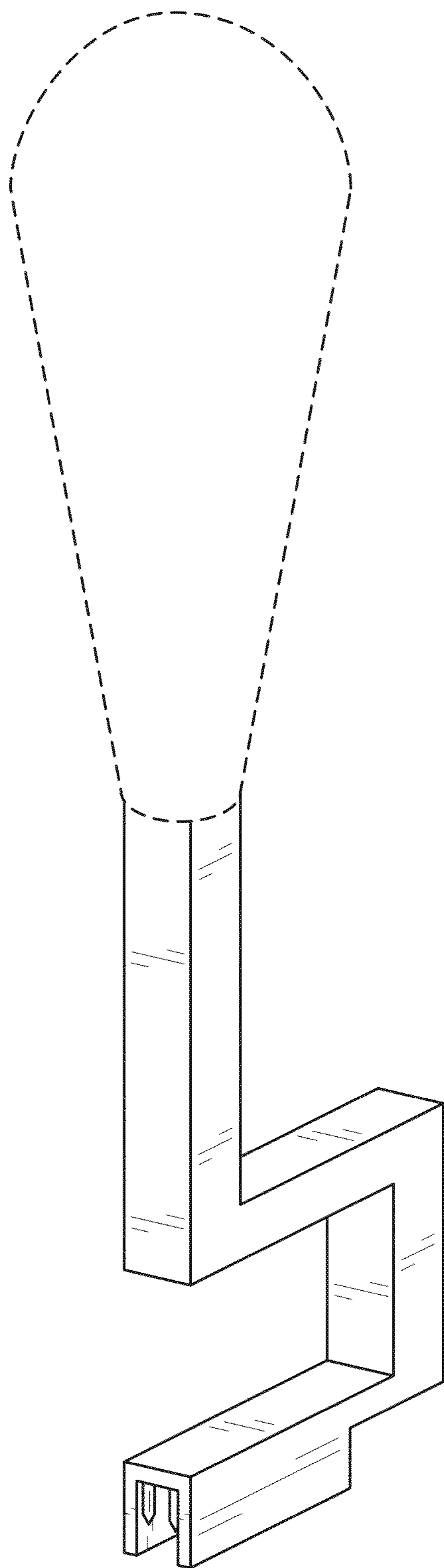


FIG. 1

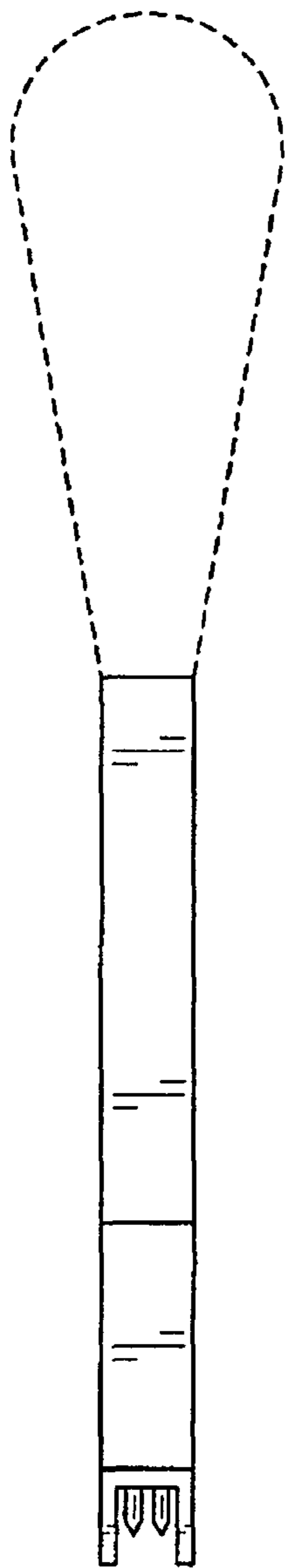


FIG. 2

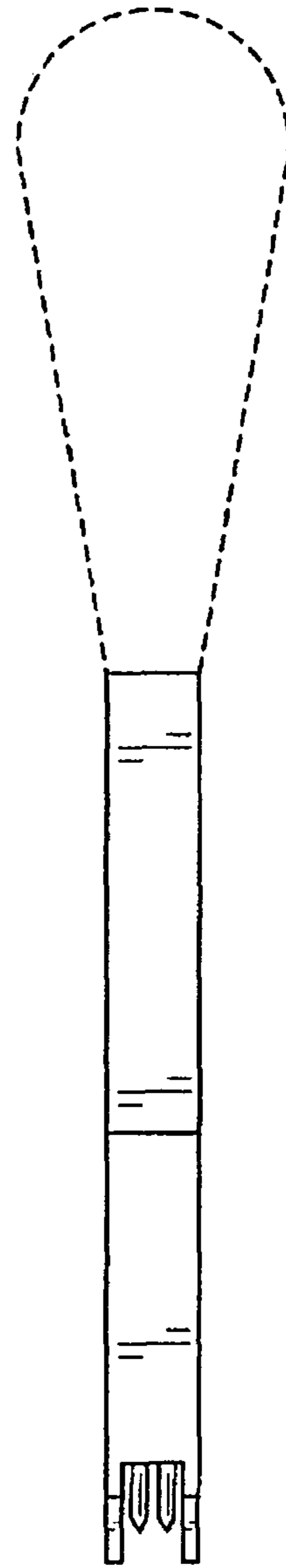


FIG. 3

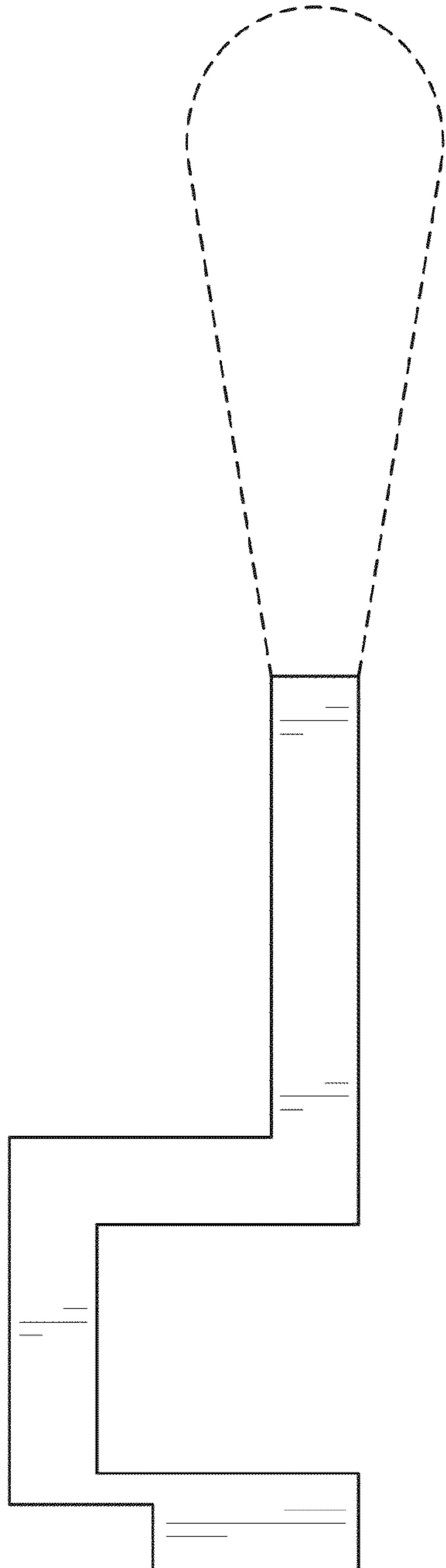


FIG. 4

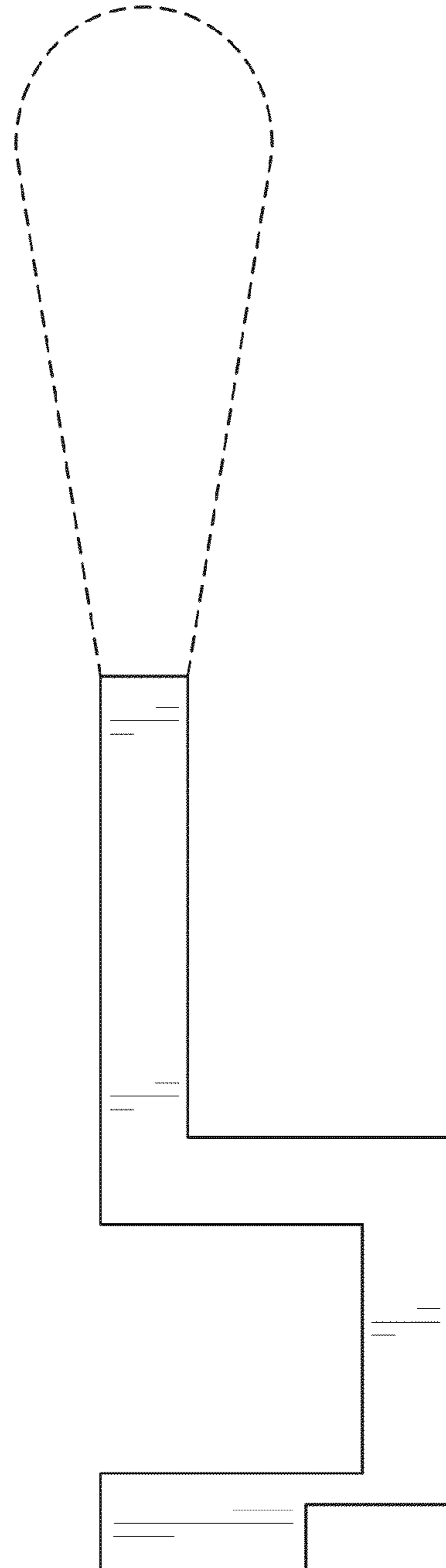


FIG. 5

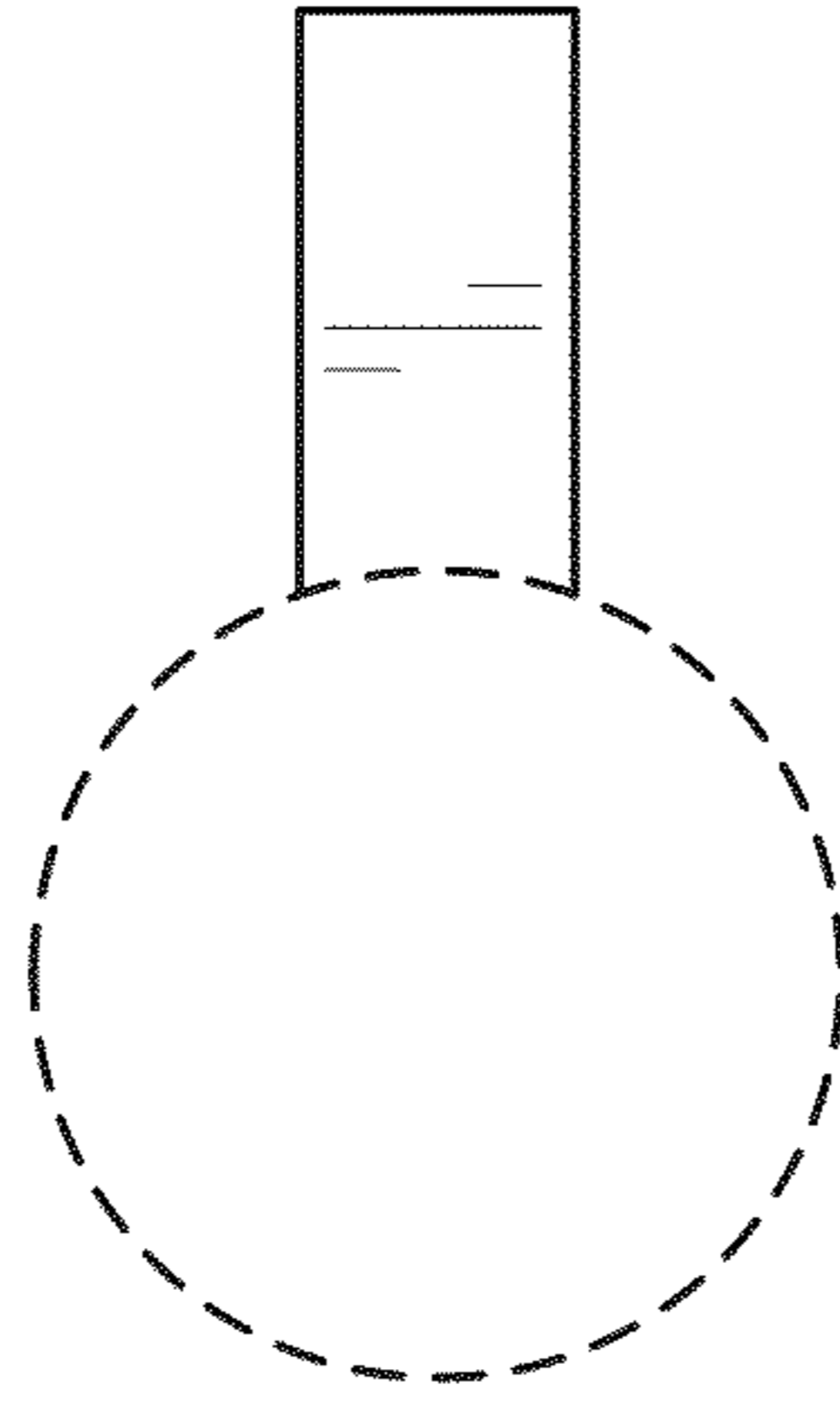


FIG. 6

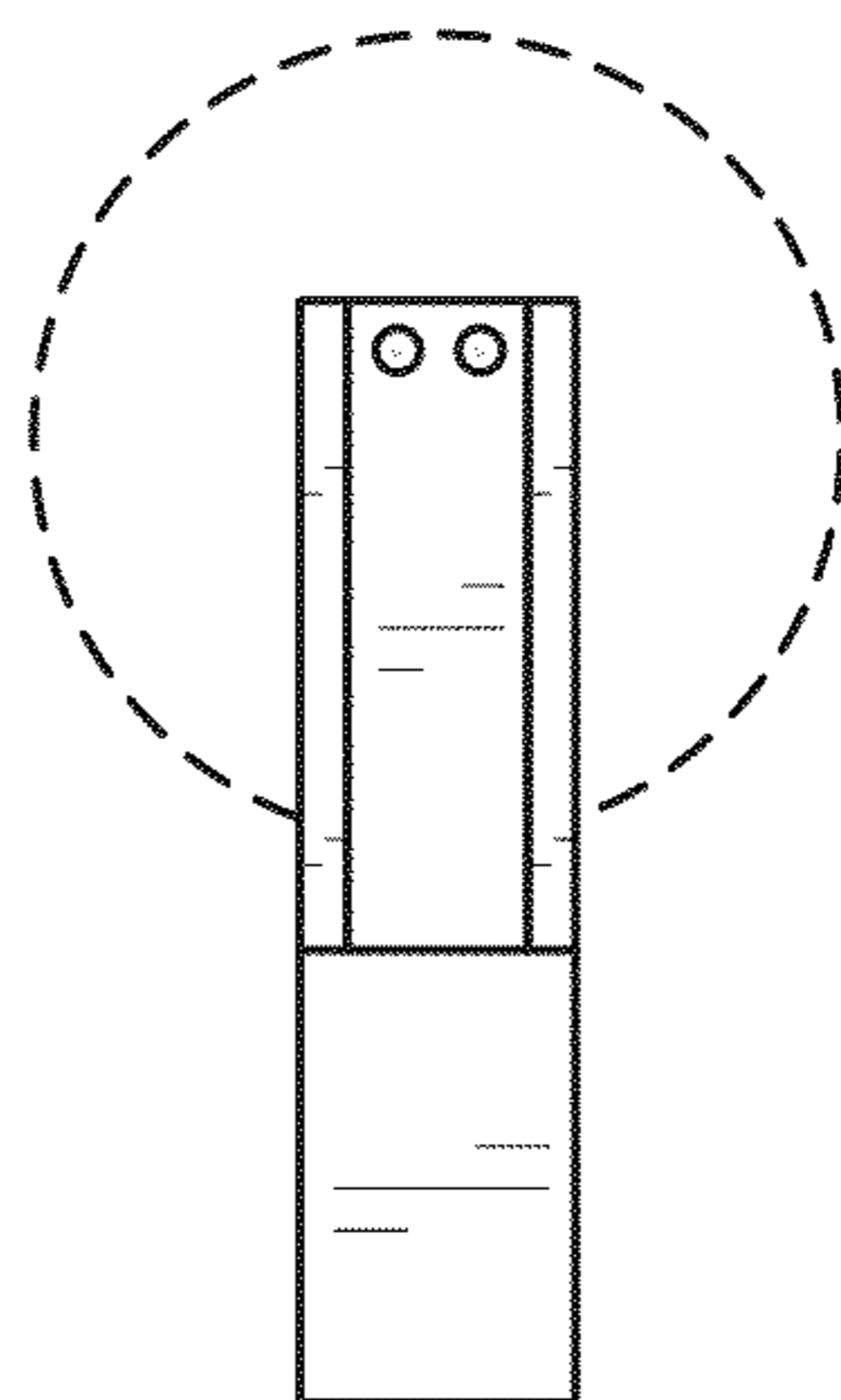


FIG. 7