



US00D723345S

(12) **United States Design Patent**
Aglassinger

(10) **Patent No.:** **US D723,345 S**
(45) **Date of Patent:** **** Mar. 3, 2015**

- (54) **LINE TRIMMER COMPONENT**
- (71) Applicant: **Robert Bosch GmbH**, Stuttgart (DE)
- (72) Inventor: **Hans-Peter Aglassinger**, Esslingen (DE)
- (73) Assignee: **Robert Bosch GmbH**, Stuttgart (DE)
- (**) Term: **14 Years**
- (21) Appl. No.: **29/469,991**
- (22) Filed: **Oct. 16, 2013**

- D389,382 S * 1/1998 Houle D8/8
- D439,118 S * 3/2001 Tomita D8/8
- D524,827 S * 7/2006 Byrne D15/29
- D675,073 S * 1/2013 Milburn D8/8
- D679,156 S * 4/2013 Lyles D8/8

* cited by examiner

Primary Examiner — Sheryl Lane

(74) *Attorney, Agent, or Firm* — Maginot, Moore & Beck LLP

(57) **CLAIM**

The ornamental design for a line trimmer component, as shown and described.

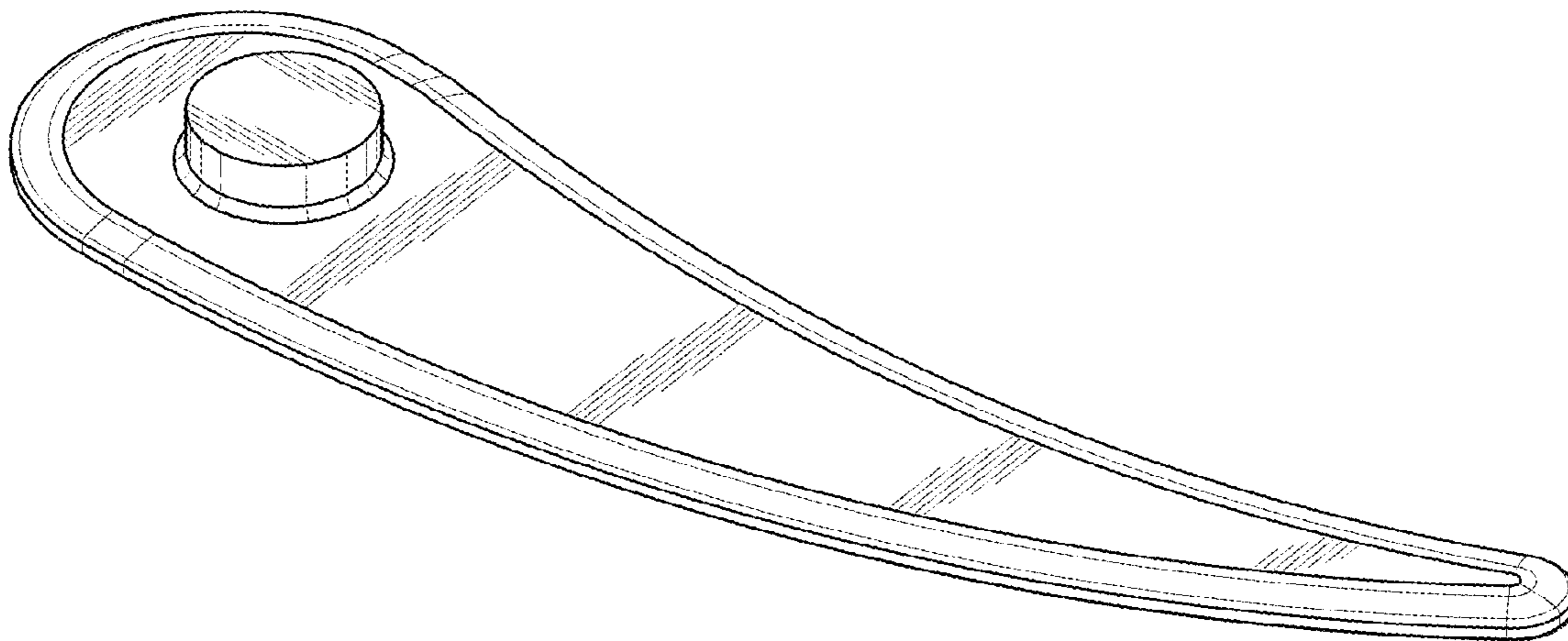
DESCRIPTION

- (30) **Foreign Application Priority Data**
- Apr. 16, 2013 (EM) 002221119
- (51) **LOC (10) Cl.** **08-01**
- (52) **U.S. Cl.**
- USPC **D8/8**
- (58) **Field of Classification Search**
- CPC . A01D 34/416; A01D 34/4166; A01D 34/84;
A01D 34/90; A01D 34/4167; A01G 3/04;
A01G 3/0435
- USPC D8/7-9; D15/17, 1; 30/276, 208-210,
30/347, 228, 382-383; 56/12.7, 233-234
- See application file for complete search history.

FIG. 1 is a perspective view of a line trimmer component showing my new design;
 FIG. 2 is a left side elevational view showing the design for the line trimmer component of FIG. 1;
 FIG. 3 is a right side elevational view showing the design for the line trimmer component of FIG. 1;
 FIG. 4 is a front elevational view showing the design for the line trimmer component of FIG. 1;
 FIG. 5 is a rear elevational view showing the design for the line trimmer component of FIG. 1;
 FIG. 6 is a top plan view showing the design for the line trimmer component of FIG. 1; and,
 FIG. 7 is a bottom plan view showing the design for the line trimmer component of FIG. 1.
 The broken lines shown in the drawings illustrate portions of the line trimmer component and form no part of the claimed design.

- (56) **References Cited**
- U.S. PATENT DOCUMENTS
- D347,150 S * 5/1994 Falconbridge D8/8
- D372,408 S * 8/1996 Robbins D8/8

1 Claim, 7 Drawing Sheets



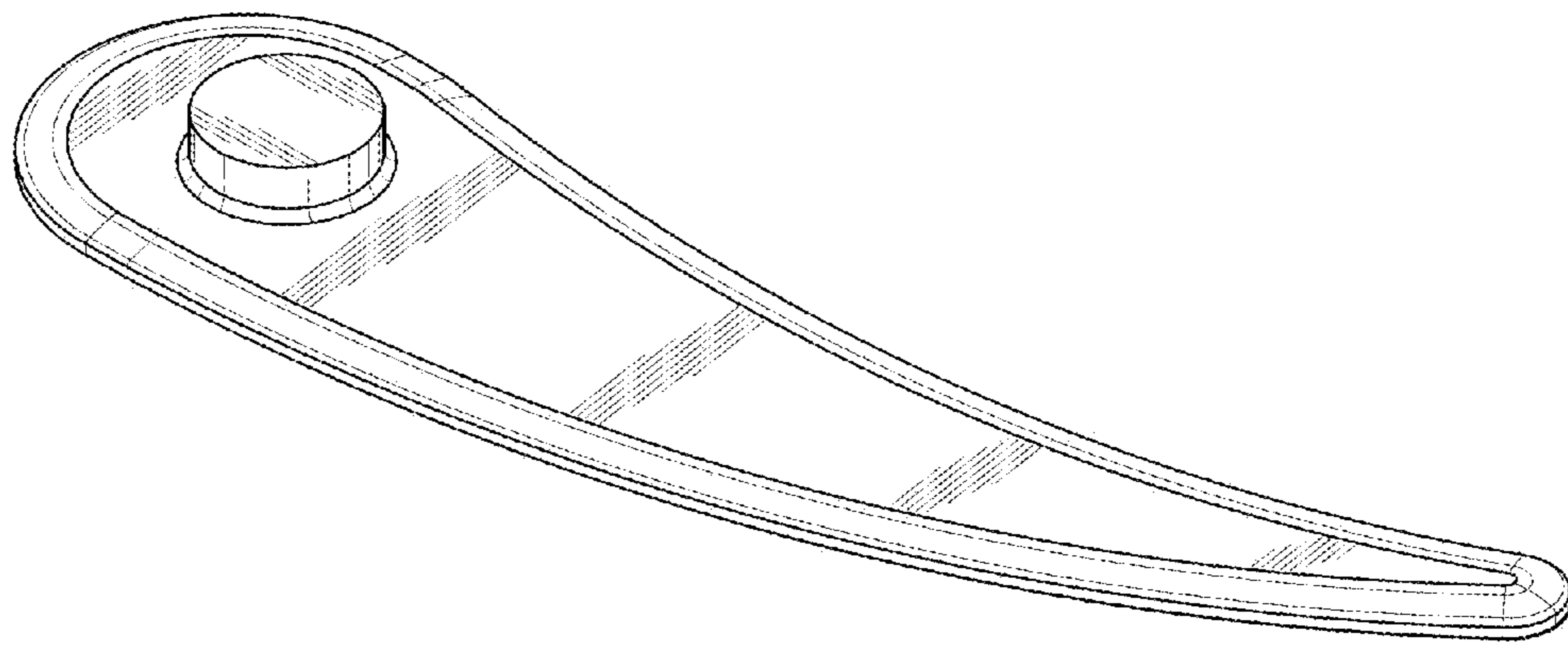


FIG. 1

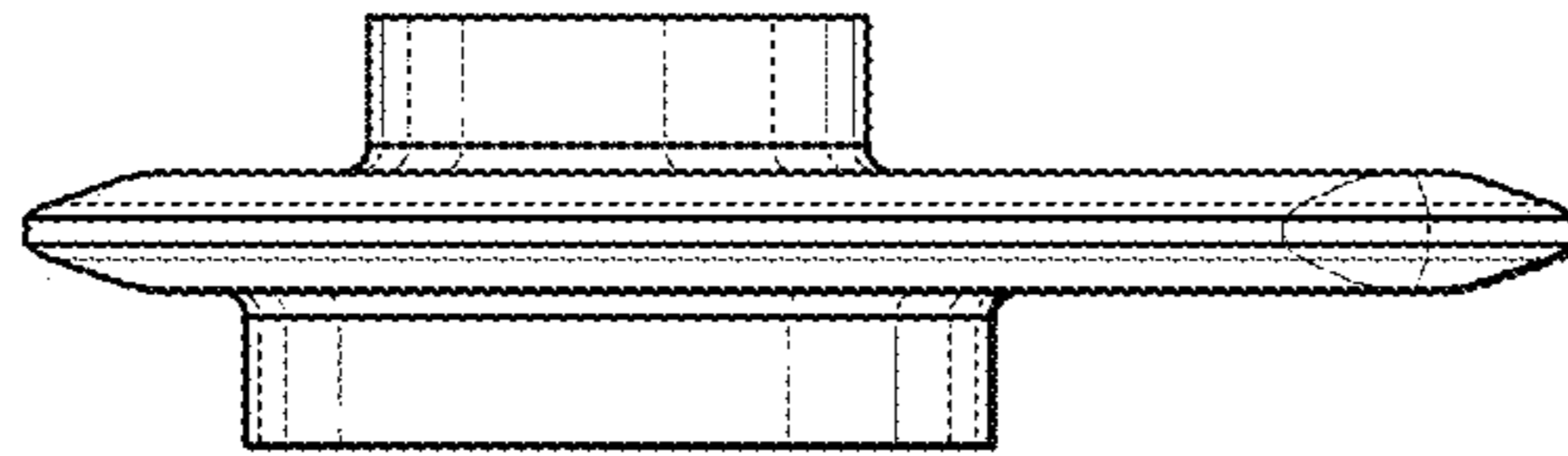


FIG. 2

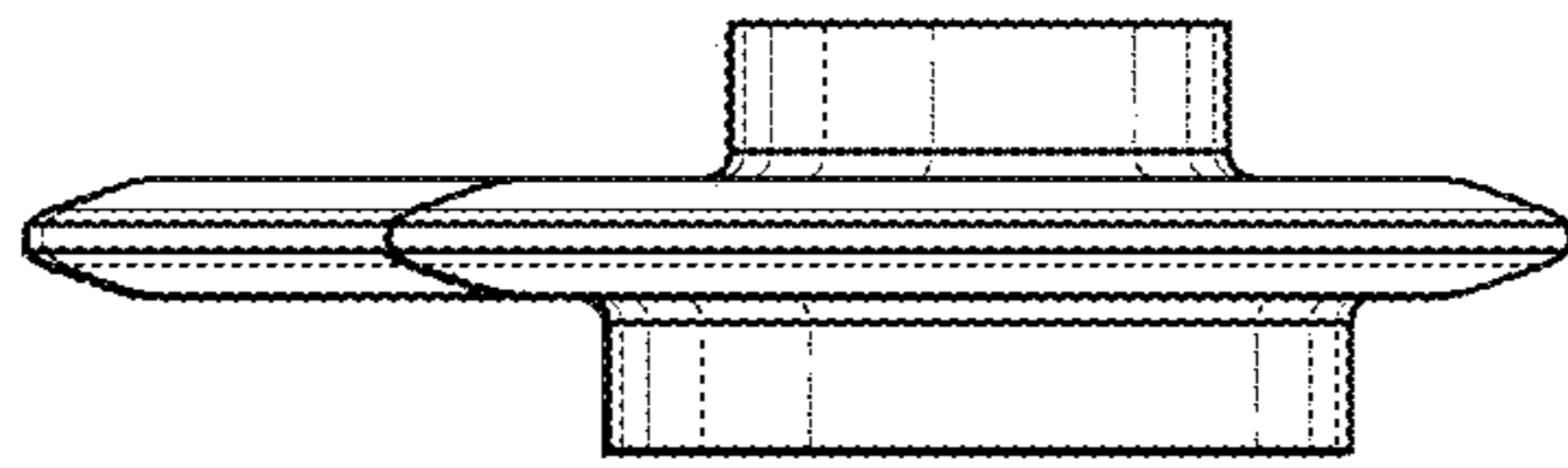


FIG. 3

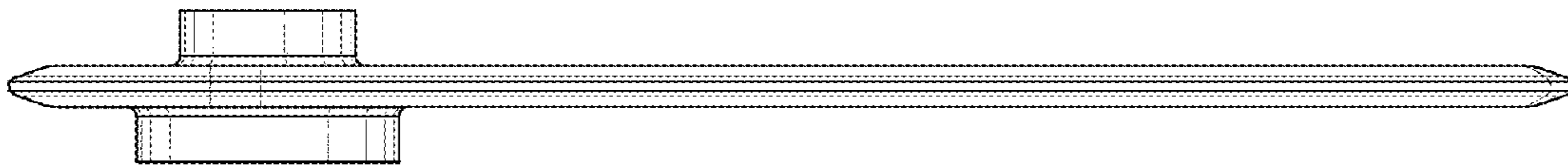


FIG. 4

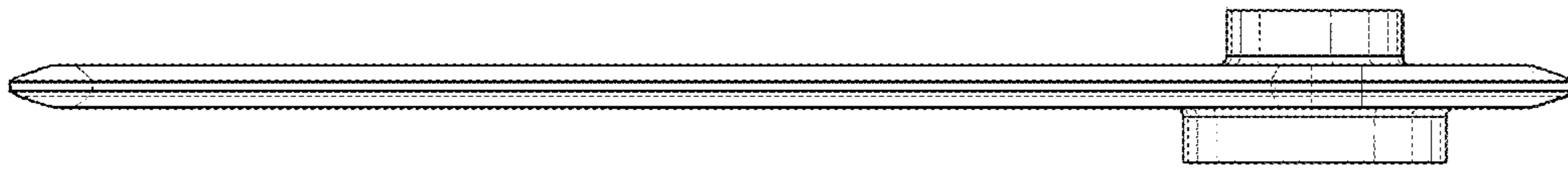


FIG. 5

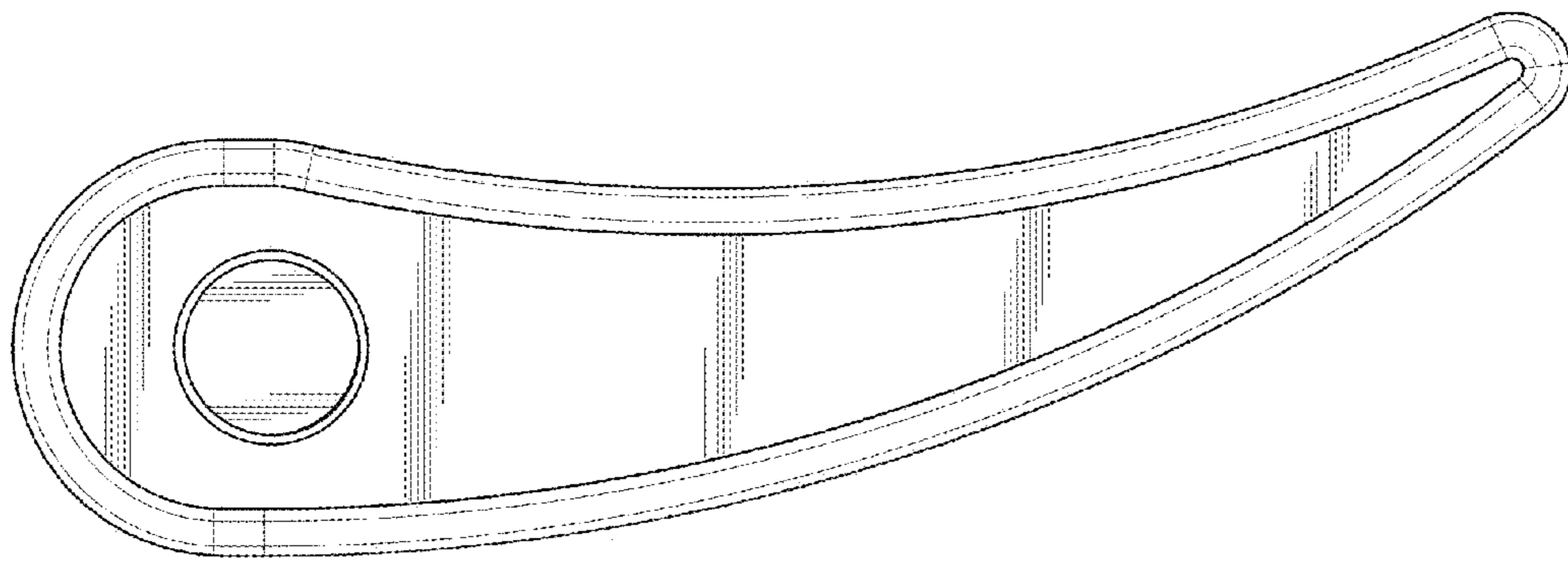


FIG. 6

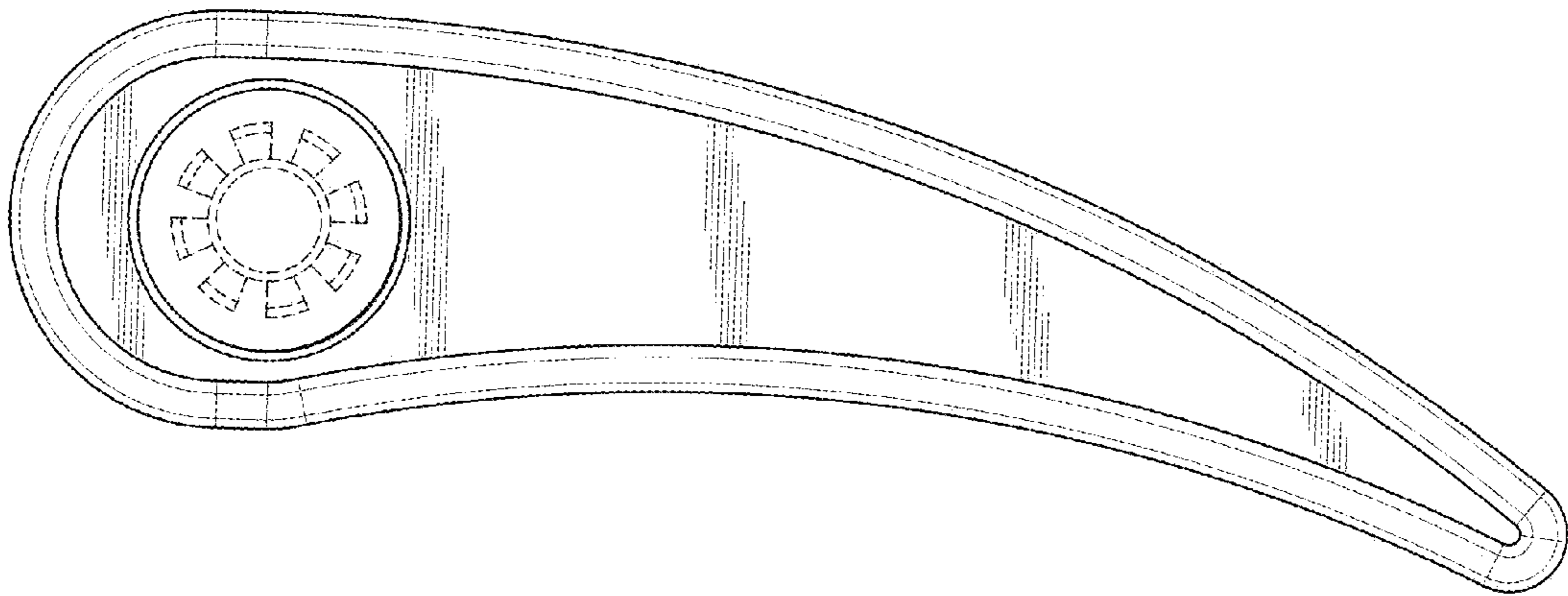


FIG. 7