



US00D723344S

(12) **United States Design Patent**
Goodman et al.

(10) **Patent No.:** **US D723,344 S**
(45) **Date of Patent:** **** Mar. 3, 2015**

(54) **KITCHEN ORGANIZER**

(71) Applicant: **Spectrum Diversified Designs, Inc.**,
Streetsboro, OH (US)
(72) Inventors: **Sheldon H. Goodman**, Solon, OH (US);
Phaysouk Xayoiphonh, Akron, OH
(US); **Jennifer K. Case**, Middleburgh
Heights, OH (US)
(73) Assignee: **Spectrum Diversified Designs, Inc.**,
Streetsboro, OH (US)

(**) Term: **14 Years**

(21) Appl. No.: **29/479,945**

(22) Filed: **Jan. 22, 2014**

(51) **LOC (10) Cl.** **07-05**

(52) **U.S. Cl.**
USPC **D7/704**

(58) **Field of Classification Search**
USPC D7/701-708, 402, 409, 600.1-600.4;
D6/678.4, 680.3, 315, 317, 328, 675.5,
D6/462, 676.5, 677.5; 211/41.11, 40,
211/181.1, 194, 85.3, 59.4

See application file for complete search history.

(56) **References Cited**

U.S. PATENT DOCUMENTS

D297,489 S *	9/1988	Chap et al.	D7/601
D334,493 S *	4/1993	Penar	D6/462
D568,056 S *	5/2008	Yarborough	D6/317
D588,378 S *	3/2009	Goodman et al.	D6/462
D658,939 S *	5/2012	Adams et al.	D7/402

* cited by examiner

Primary Examiner — Terry Wallace

(74) *Attorney, Agent, or Firm* — Benesch Friedlander
Coplan & Aronoff LLP

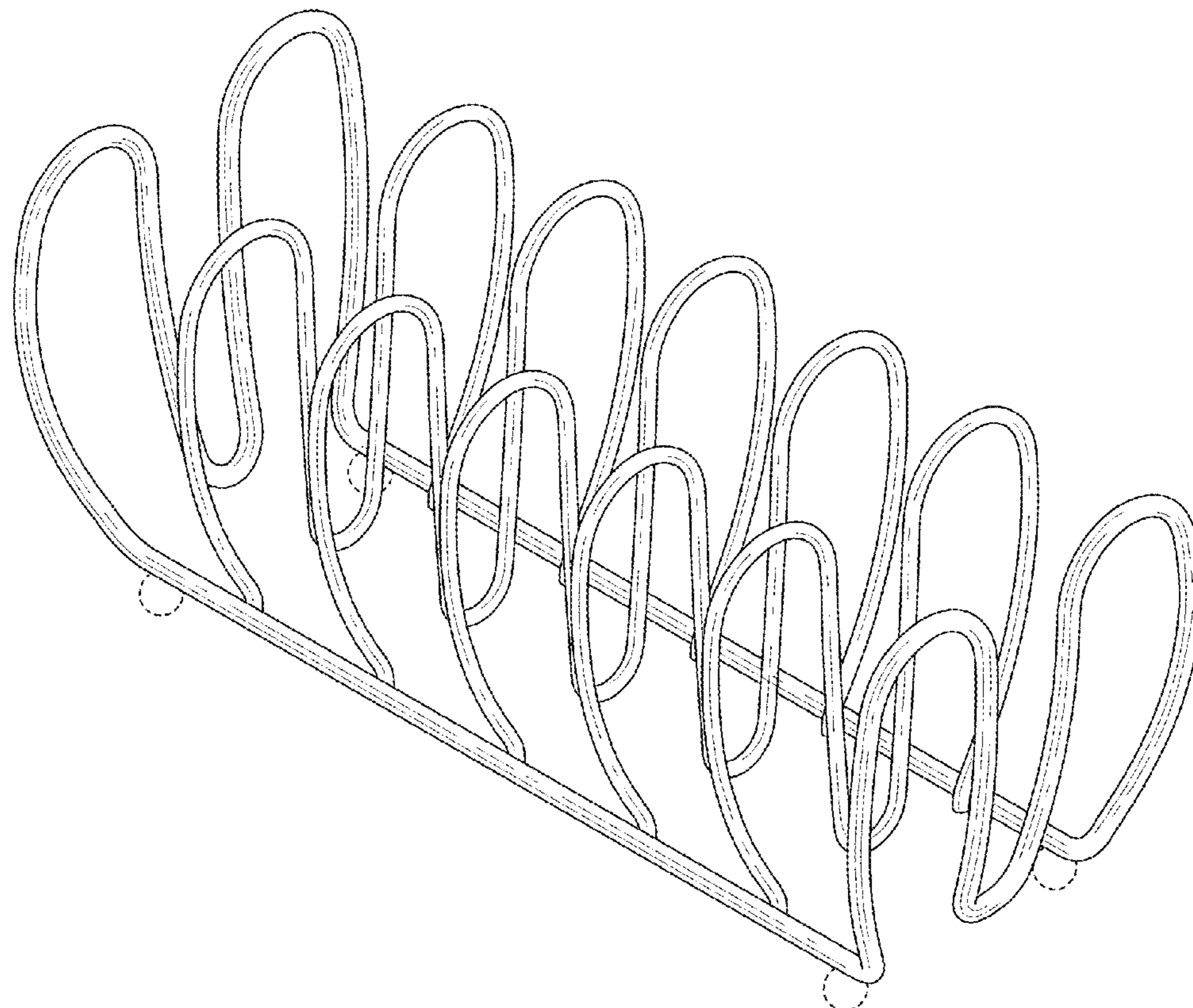
(57) **CLAIM**

The ornamental design for a kitchen organizer, as shown and described.

DESCRIPTION

FIG. 1 is a perspective view of a kitchen organizer showing a new design;
FIG. 2 is a top view of the kitchen organizer of FIG. 1;
FIG. 3 is a front view of the kitchen organizer of FIG. 1;
FIG. 4 is a side view of the kitchen organizer of FIG. 1; and,
FIG. 5 is a bottom view of the kitchen organizer of FIG. 1.
The components of the display shown in broken lines illustrate portions of the kitchen organizer form no part of the claimed design.

1 Claim, 2 Drawing Sheets



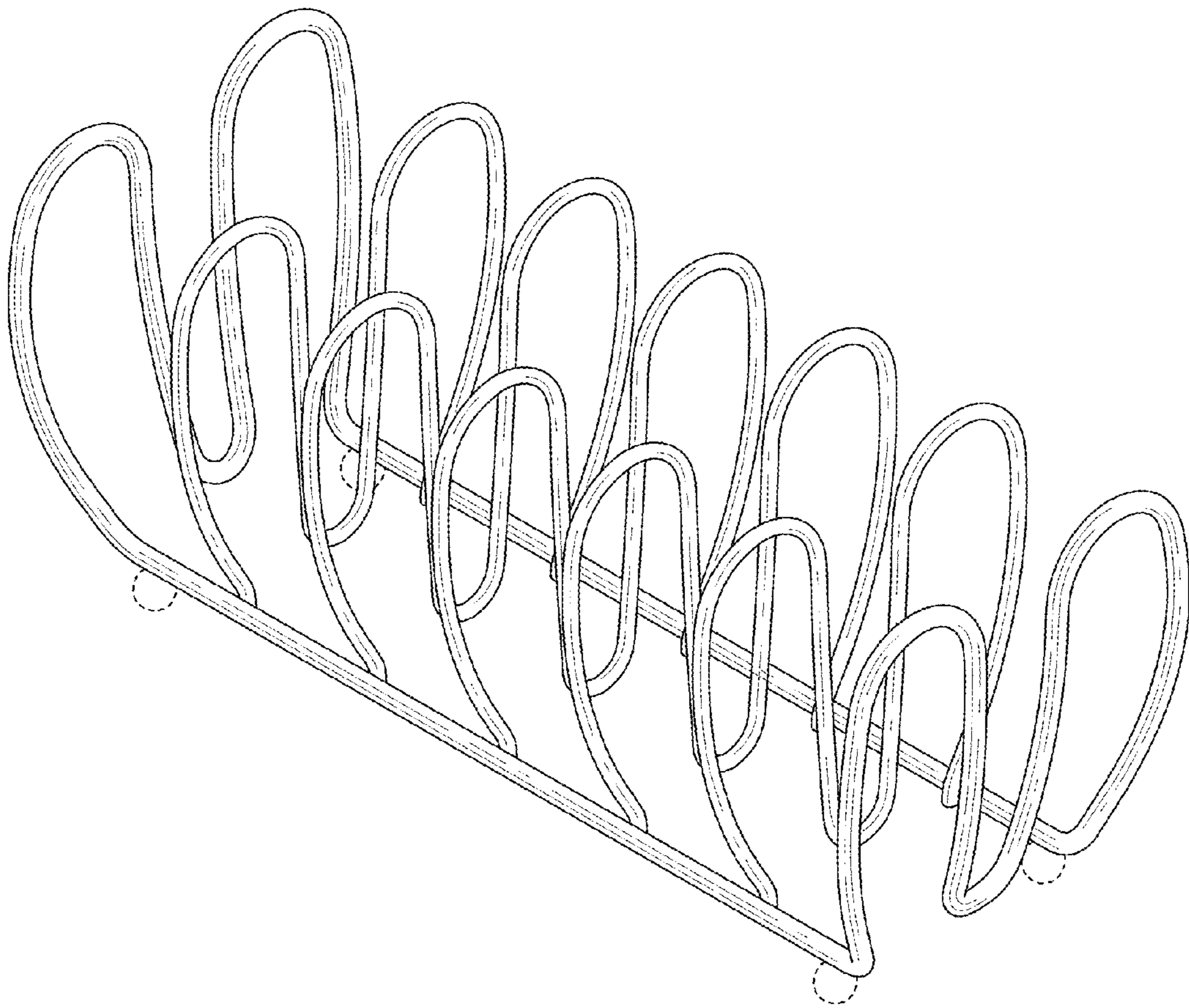


FIG 1

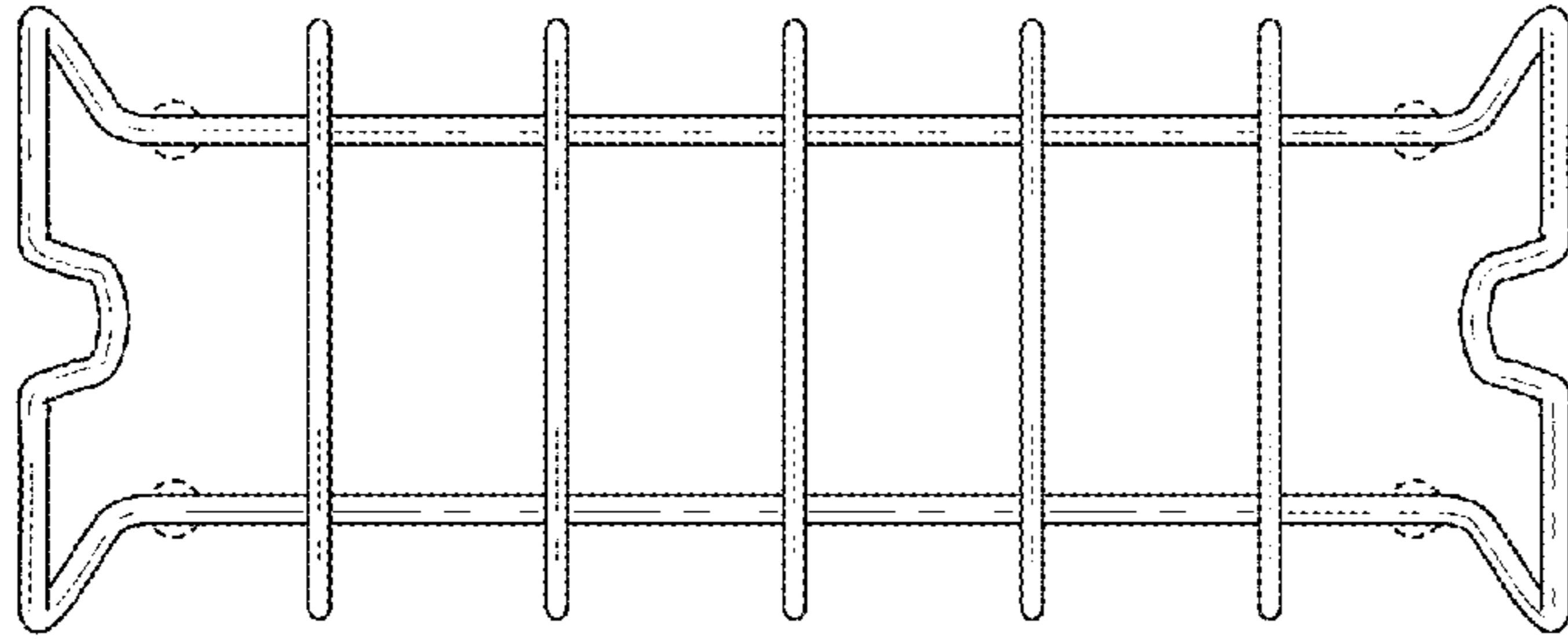


FIG 2

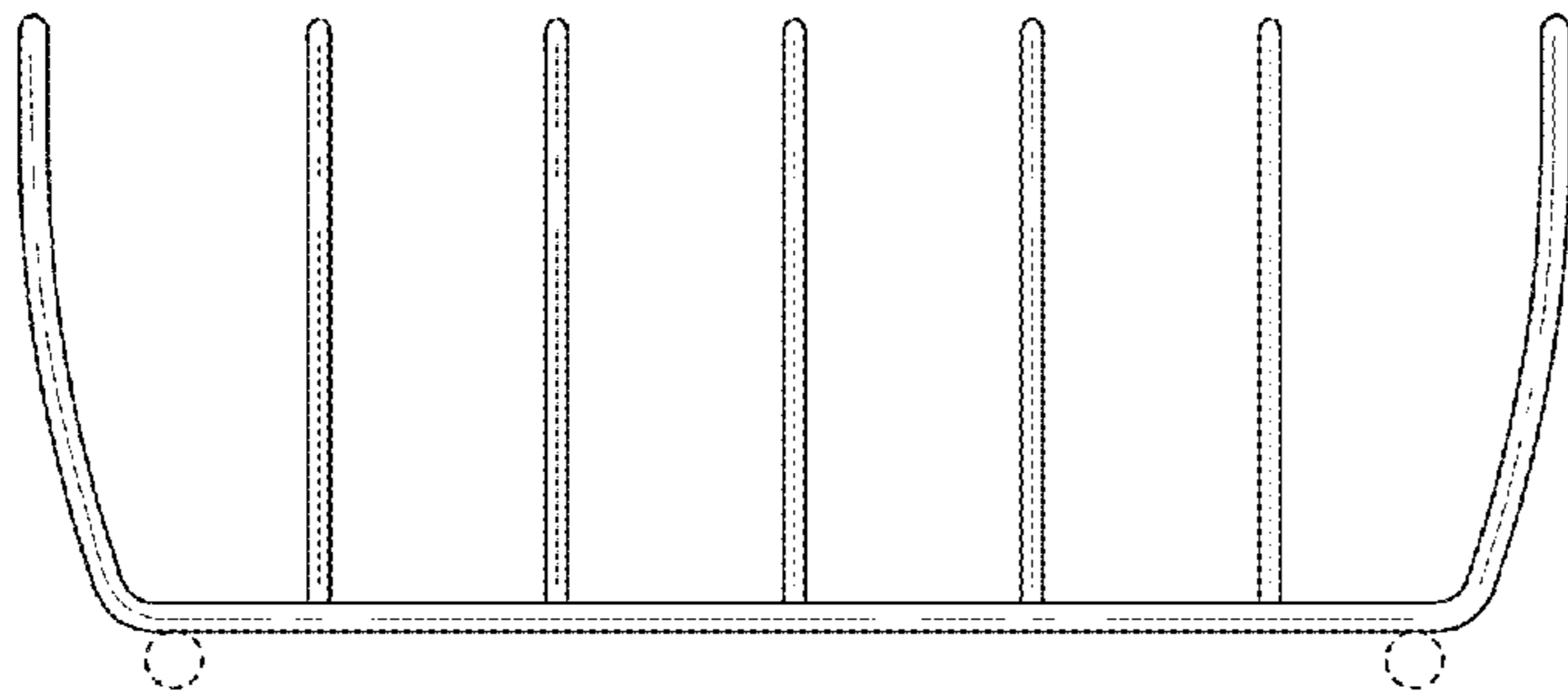


FIG 3

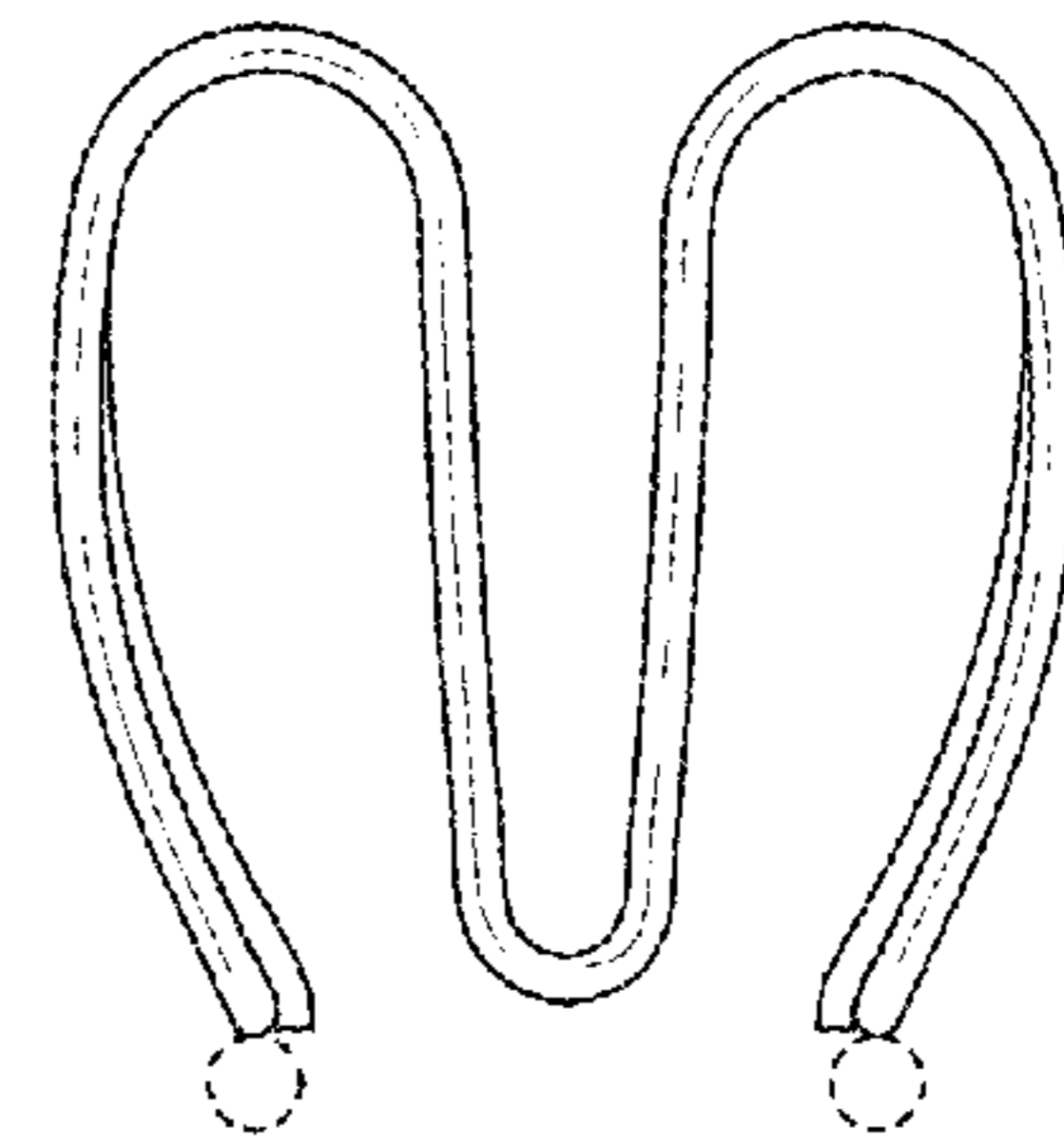


FIG 4

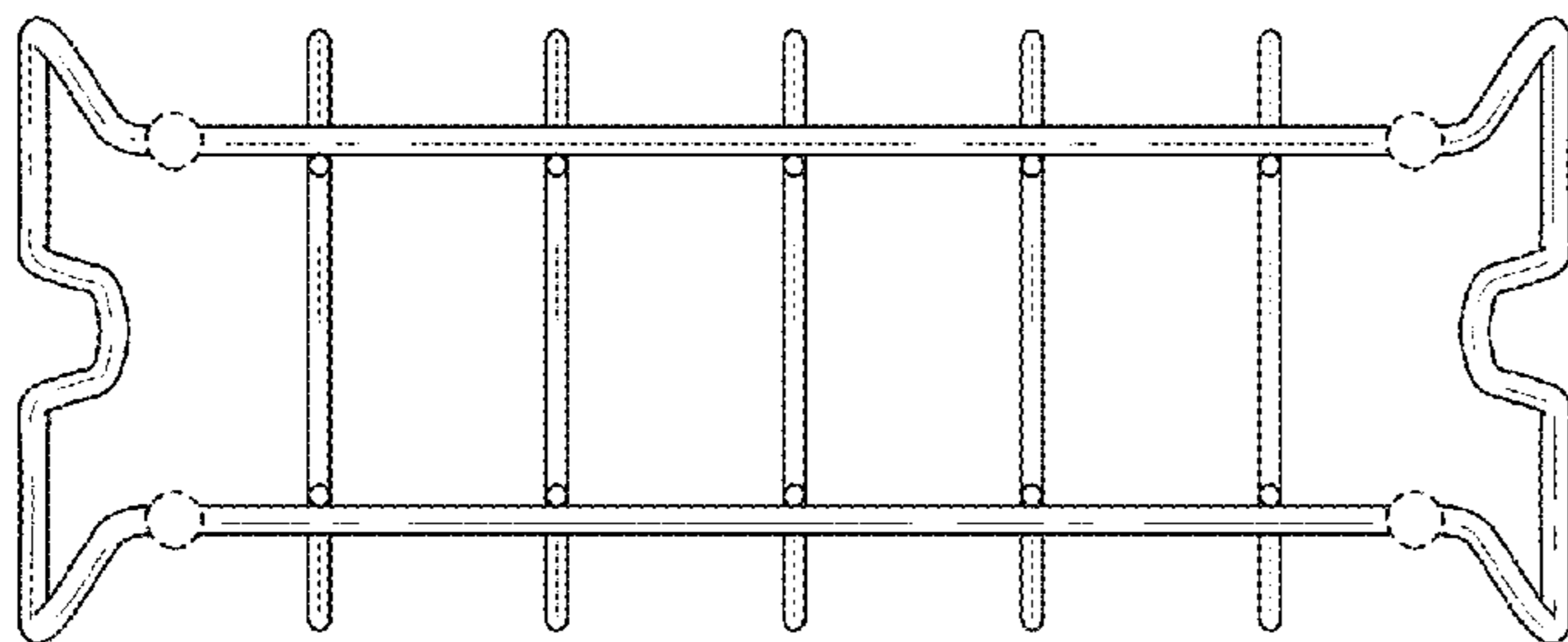


FIG 5