

US00D723337S

(12) **United States Design Patent**  
**Diamond et al.**

(10) **Patent No.:** **US D723,337 S**  
(45) **Date of Patent:** **\*\* Mar. 3, 2015**

(54) **SPORT COOLER**  
(71) Applicants: **Sunnie E. Diamond**, Atlanta, GA (US);  
**Star Ruby Lowe**, Atlanta, GA (US)  
(72) Inventors: **Sunnie E. Diamond**, Atlanta, GA (US);  
**Star Ruby Lowe**, Atlanta, GA (US)

D349,216 S *	8/1994	Steinfels, III	.....	D7/623
D349,630 S *	8/1994	Redmon	.....	D7/606
D352,211 S *	11/1994	Rucks	.....	D7/625
D434,607 S *	12/2000	Hansen	.....	D7/606
D503,311 S *	3/2005	Strobel et al.	.....	D7/604
D521,322 S *	5/2006	Loving	.....	D7/606
D524,115 S *	7/2006	Meyer	.....	D7/604
D599,625 S *	9/2009	Lessells	.....	D7/625
D613,128 S *	4/2010	Blakeman	.....	D7/606
2003/0168371 A1 *	9/2003	Weimer	.....	206/457

(\*\*) Term: **14 Years**

\* cited by examiner

(21) Appl. No.: **29/463,479**

*Primary Examiner* — Terry Wallace

(22) Filed: **Dec. 9, 2013**

(51) **LOC (10) Cl.** ..... **07-01**

(57) **CLAIM**

(52) **U.S. Cl.**  
USPC ..... **D7/606**

The ornamental design for a sport cooler, as shown and described.

(58) **Field of Classification Search**  
USPC ..... D7/603–608, 625, 710, 628;  
62/457.1–457.9, 371, 372; 206/457;  
D3/270, 271.1, 271.3, 271.4;  
220/915.1, 915.2, 592.2,  
220/592.24–592.27

**DESCRIPTION**

See application file for complete search history.

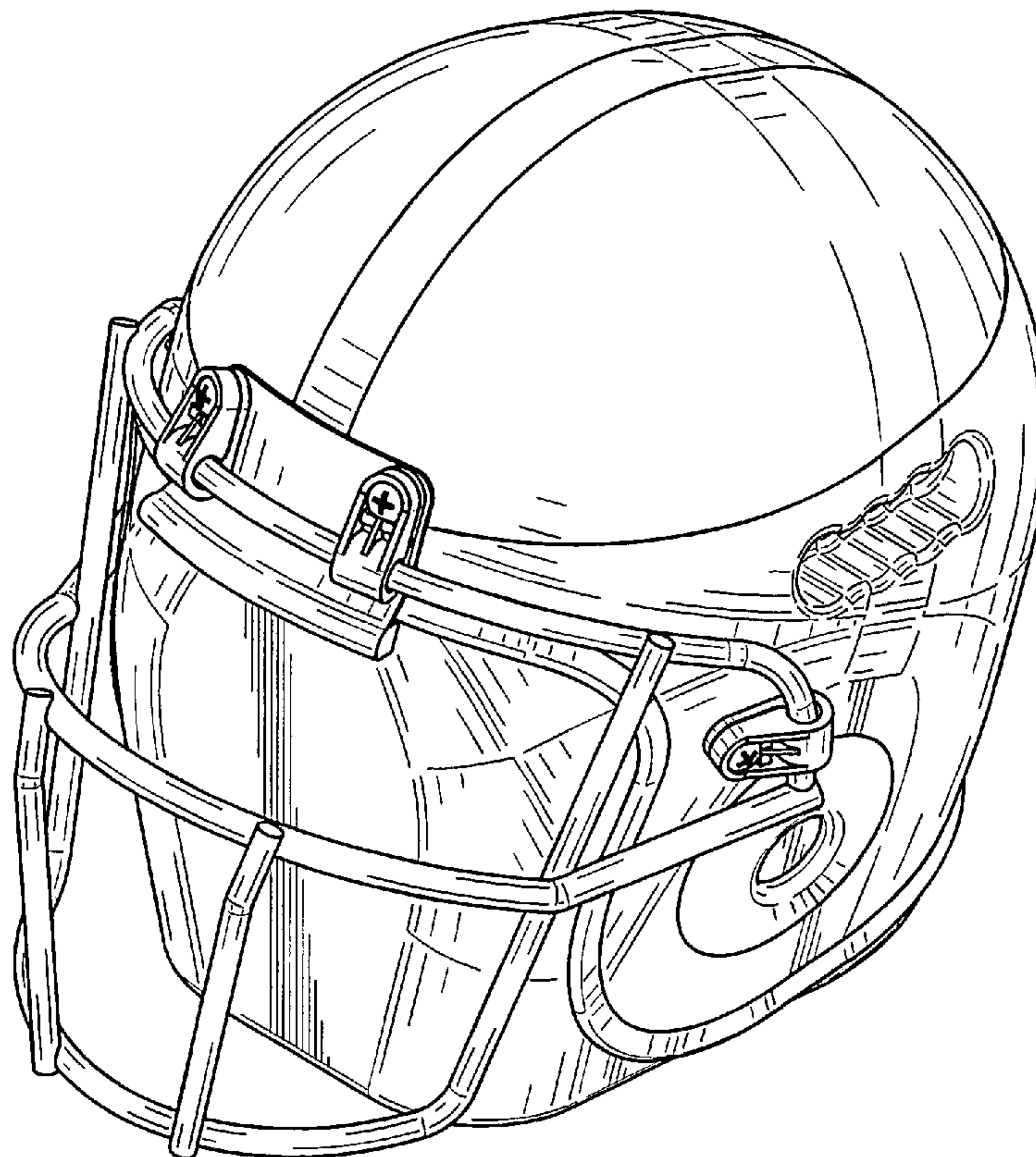
FIG. 1 is a left side elevation view a sport cooler with finger insertion showing my new design;  
FIG. 2 is a rear elevation view with finger insertion thereof;  
FIG. 3 is a front elevation view with finger insertion of thereof;  
FIG. 4 is a left side view with finger insertion thereof;  
FIG. 5 is a rear view with finger insertion thereof; and  
FIG. 6 is a top plan view with finger insertion thereof; and,  
FIG. 7 is a bottom plan view with finger insertion thereof.

(56) **References Cited**

**U.S. PATENT DOCUMENTS**

D231,523 S *	4/1974	Baker	.....	D12/83
4,566,292 A *	1/1986	Parmet	.....	62/457.1
D314,492 S *	2/1991	Weller et al.	.....	D7/623

**1 Claim, 7 Drawing Sheets**



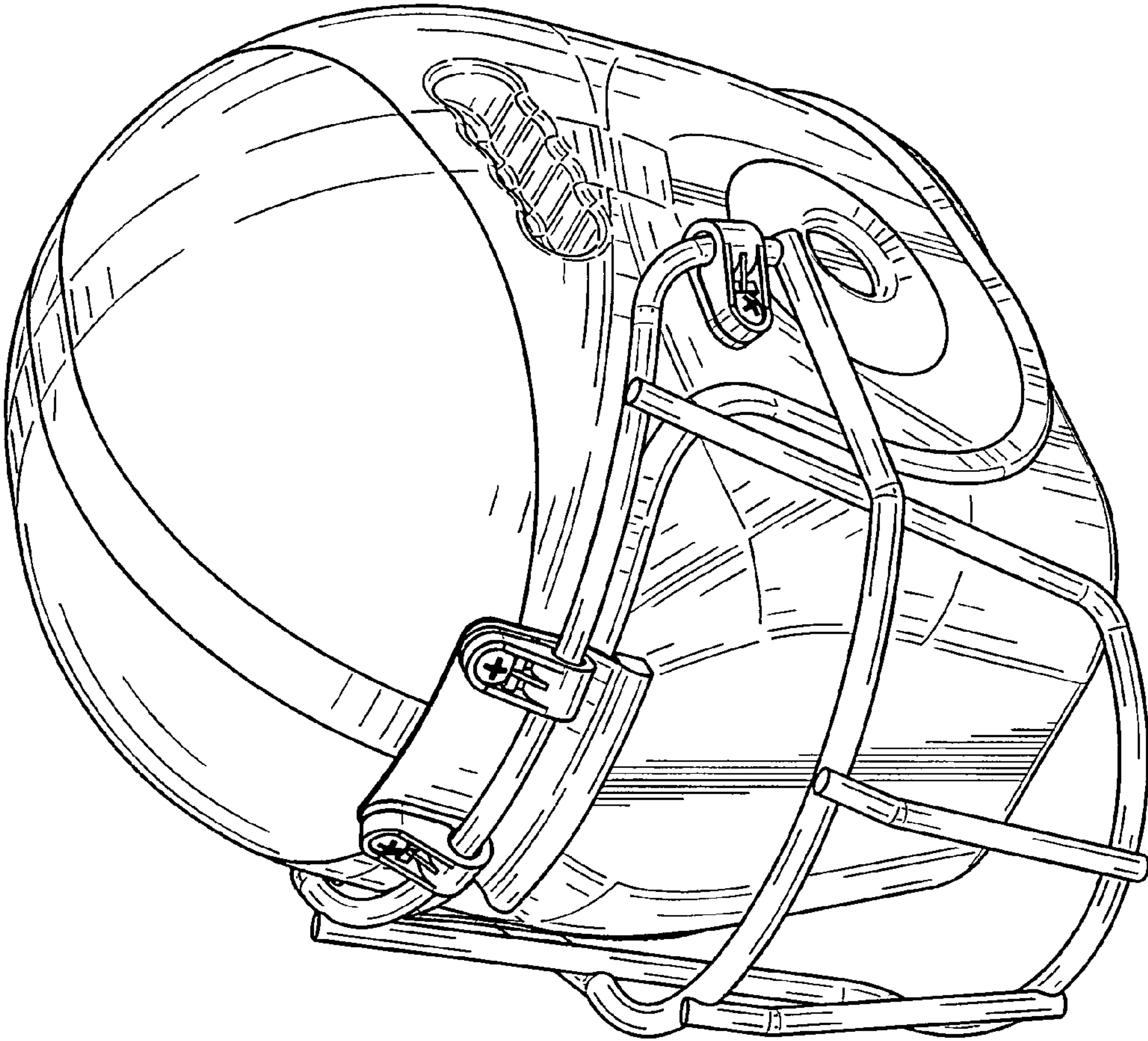


FIG. 1

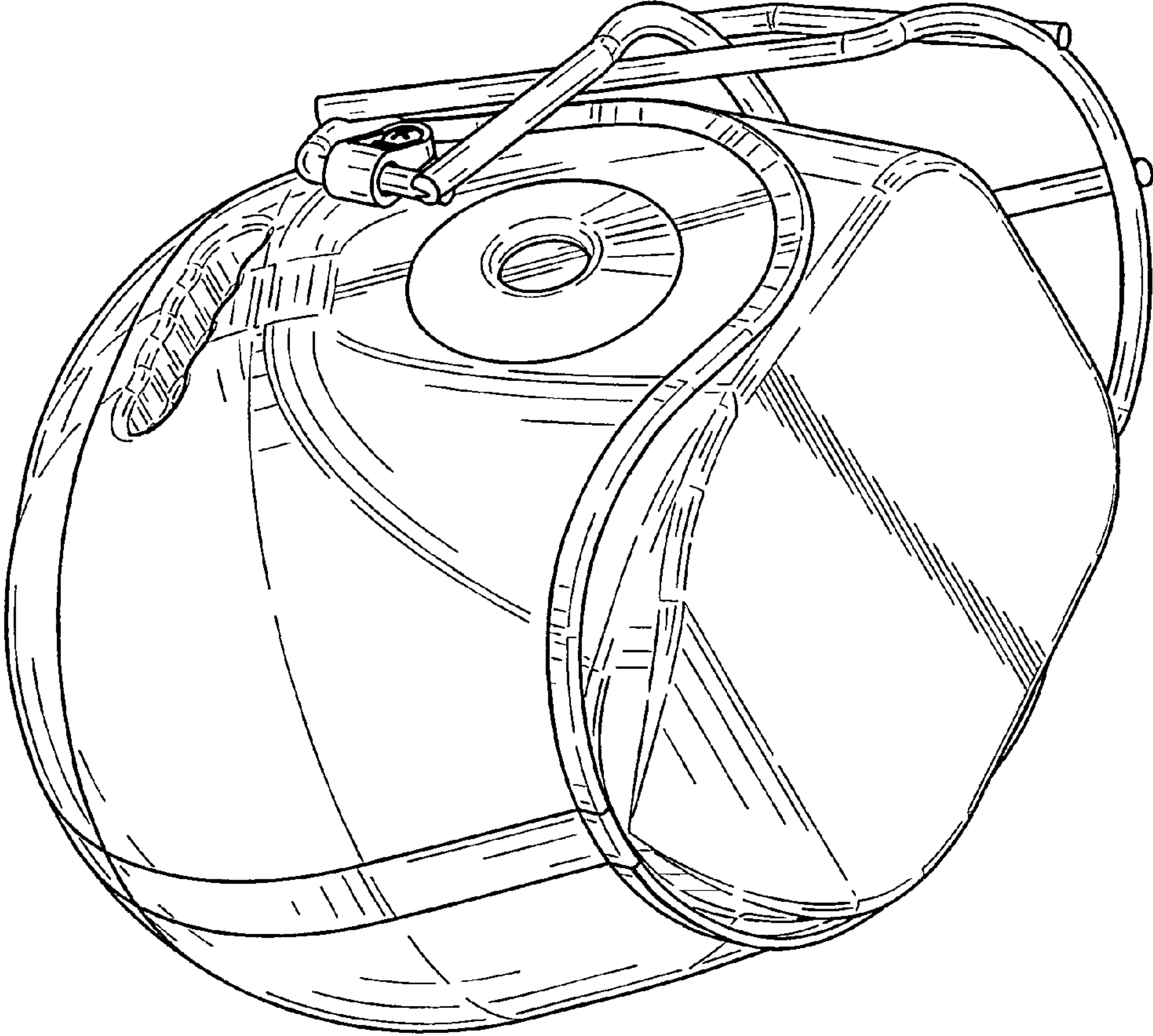


FIG. 2



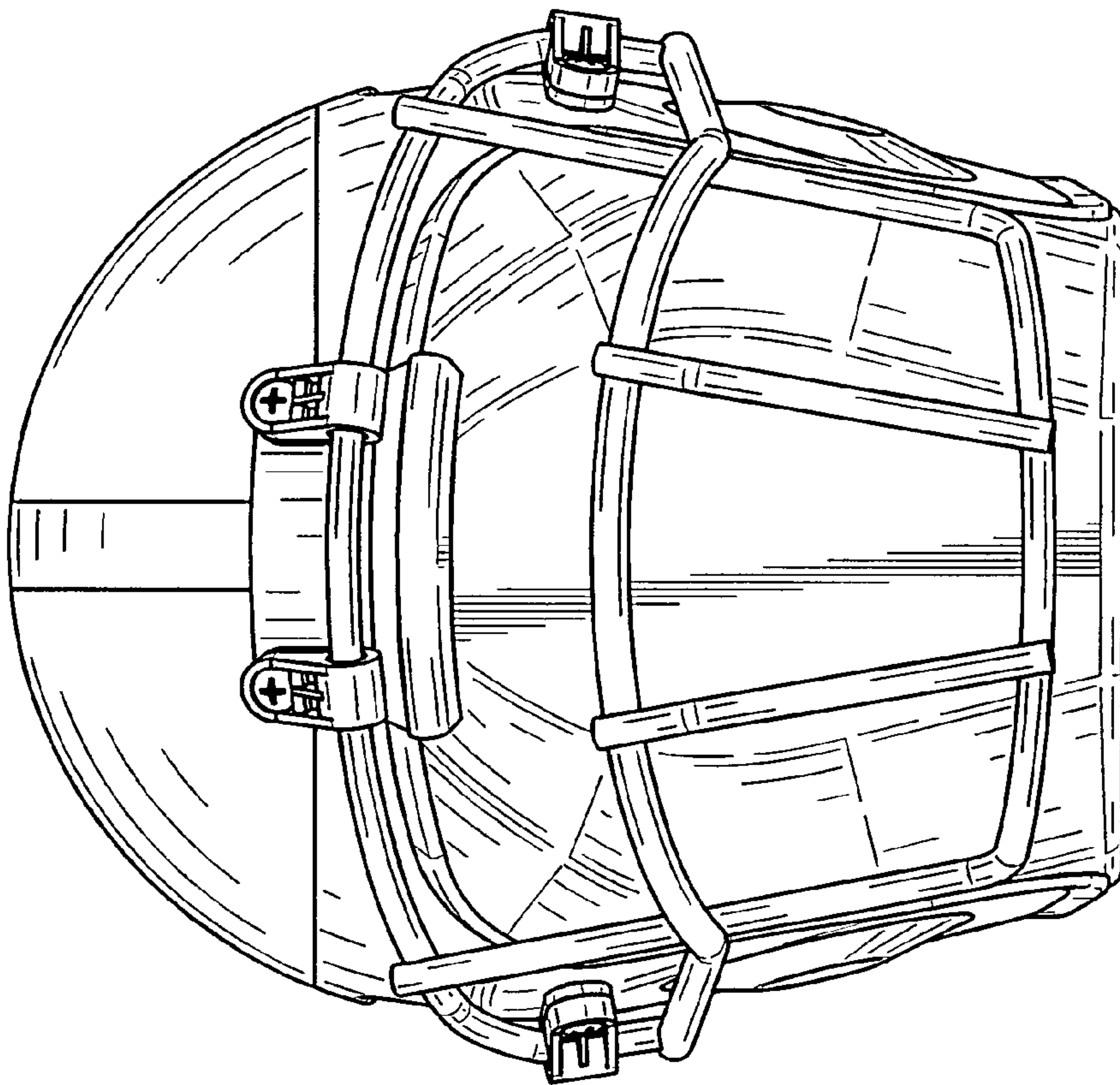


FIG. 3

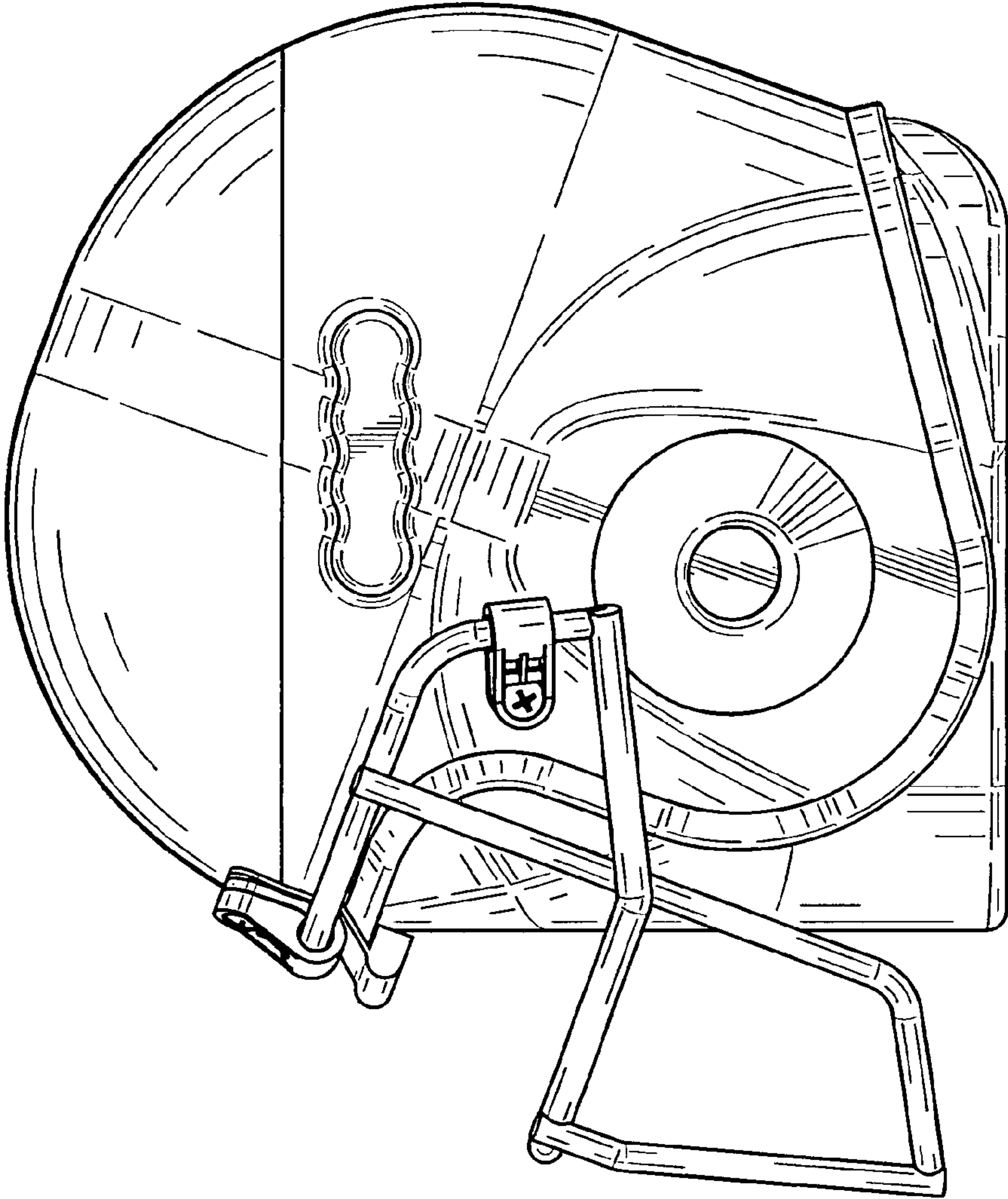


FIG. 4

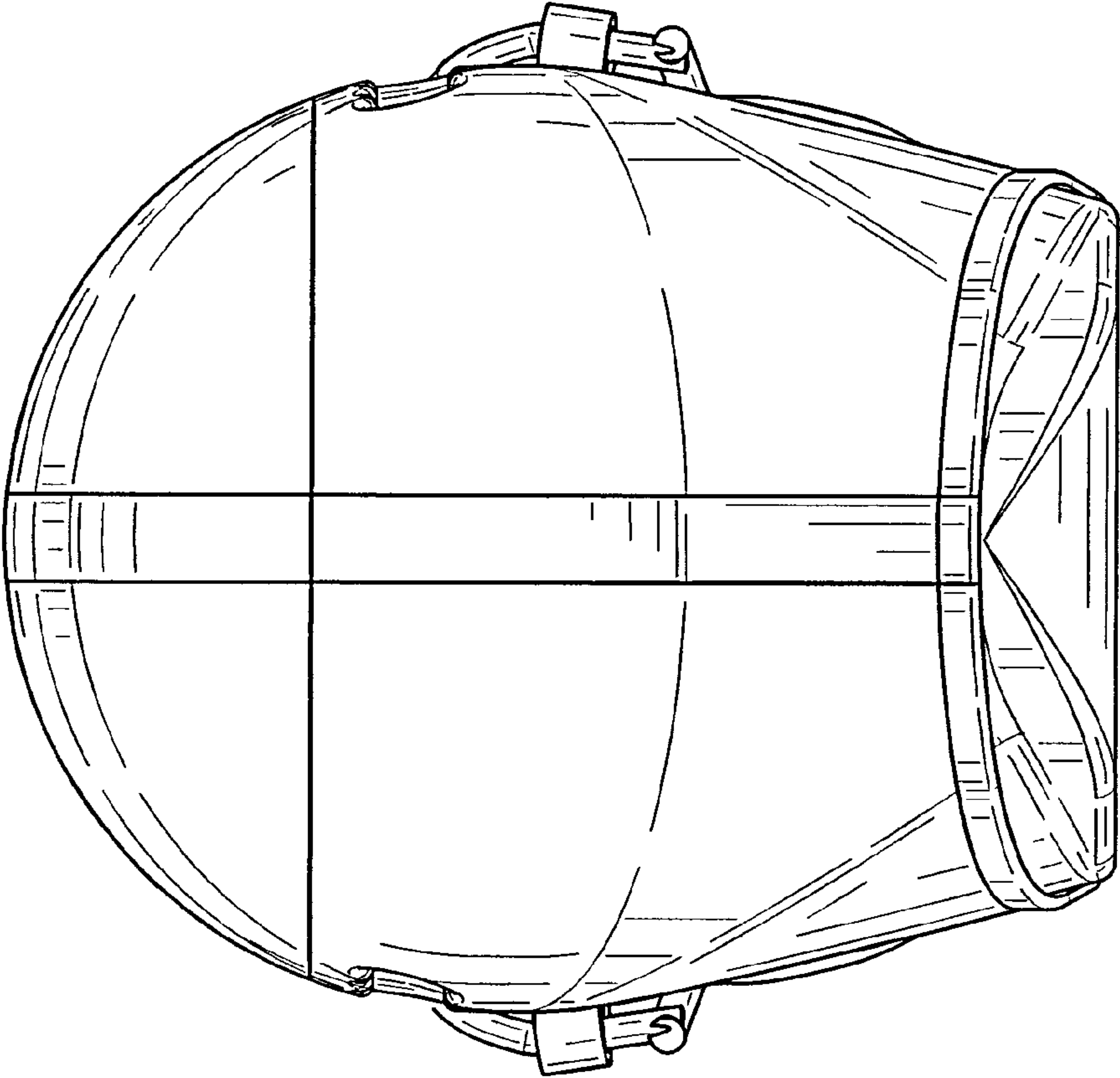


FIG. 5

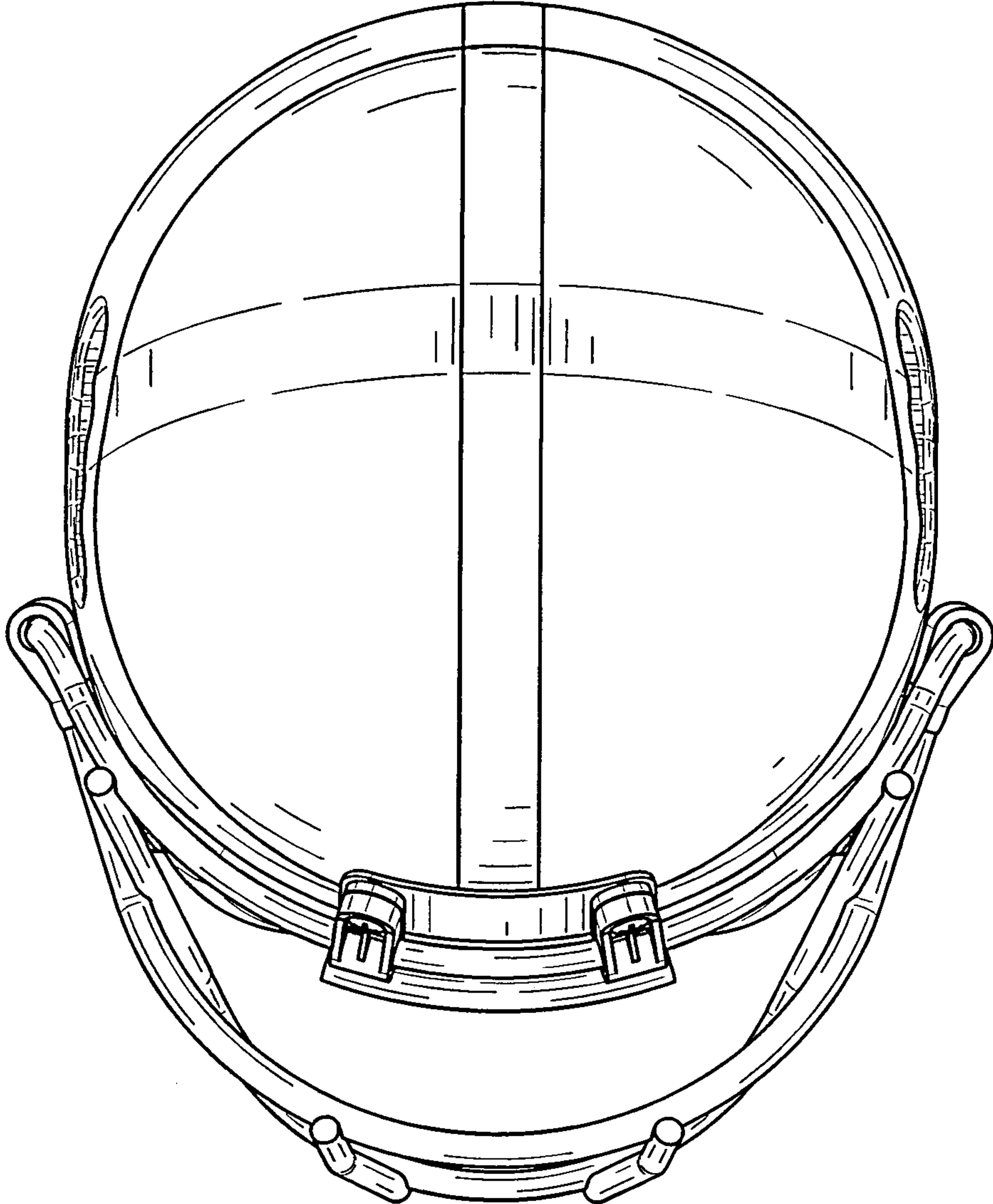


FIG. 6

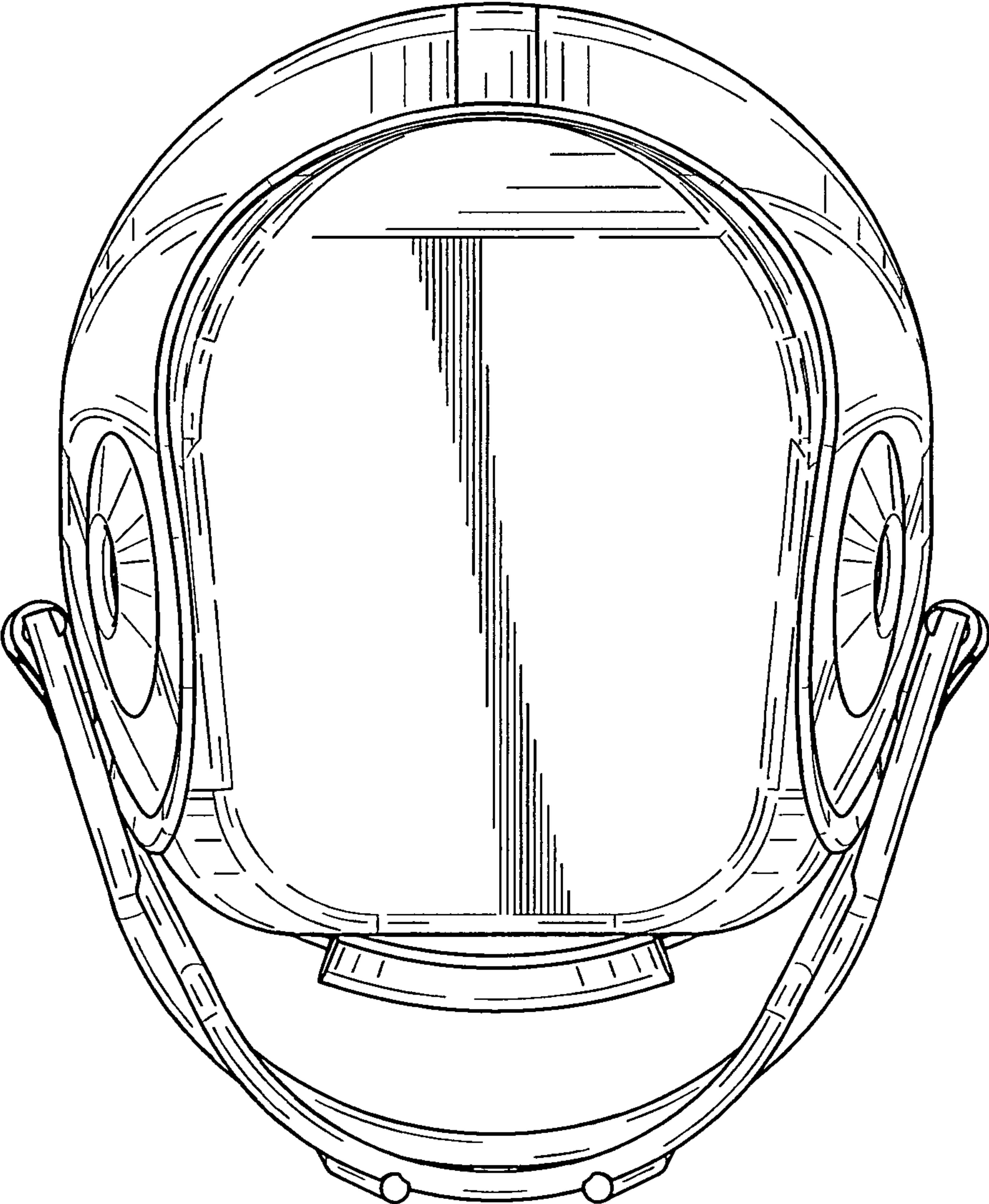


FIG. 7