



US00D723336S

(12) **United States Design Patent**  
**Ash**

(10) **Patent No.:** **US D723,336 S**  
(45) **Date of Patent:** **\*\* Mar. 3, 2015**

- (54) **MUG WITH BASKETBALL HOOP**
- (71) Applicant: **Max J Ash**, Weston, MA (US)
- (72) Inventor: **Max J Ash**, Weston, MA (US)
- (\*\*) Term: **14 Years**
- (21) Appl. No.: **29/475,295**
- (22) Filed: **Dec. 2, 2013**
- (51) **LOC (10) Cl.** ..... **07-01**
- (52) **U.S. Cl.**  
USPC ..... **D7/536; D7/515**
- (58) **Field of Classification Search**  
USPC ..... D7/300, 301, 302, 305, 310, 318, 387,  
D7/389, 396.1, 396.2, 396.4, 500, 505,  
D7/506, 507, 509, 514, 515, 525, 529, 533,  
D7/536, 543, 560, 563, 564, 567, 569, 571,  
D7/573, 601, 602, 604, 619.1, 619.2, 622,  
D7/623; D9/434, 436, 441, 443, 451, 600,  
D9/601, 618, 668, 715, 716; 206/446, 457,  
206/459.5, 779; 215/12.2; 220/334, 376,  
220/675, 703, 707, 708; 229/148.9, 400,  
229/403  
See application file for complete search history.

D474,372 S \* 5/2003 Leon ..... D7/515  
D569,192 S \* 5/2008 Bodum ..... D7/536

\* cited by examiner

*Primary Examiner* — Susan Bennett Hattan  
*Assistant Examiner* — Leanne Was

(57) **CLAIM**

The ornamental design for a mug with basketball hoop, as shown and described.

**DESCRIPTION**

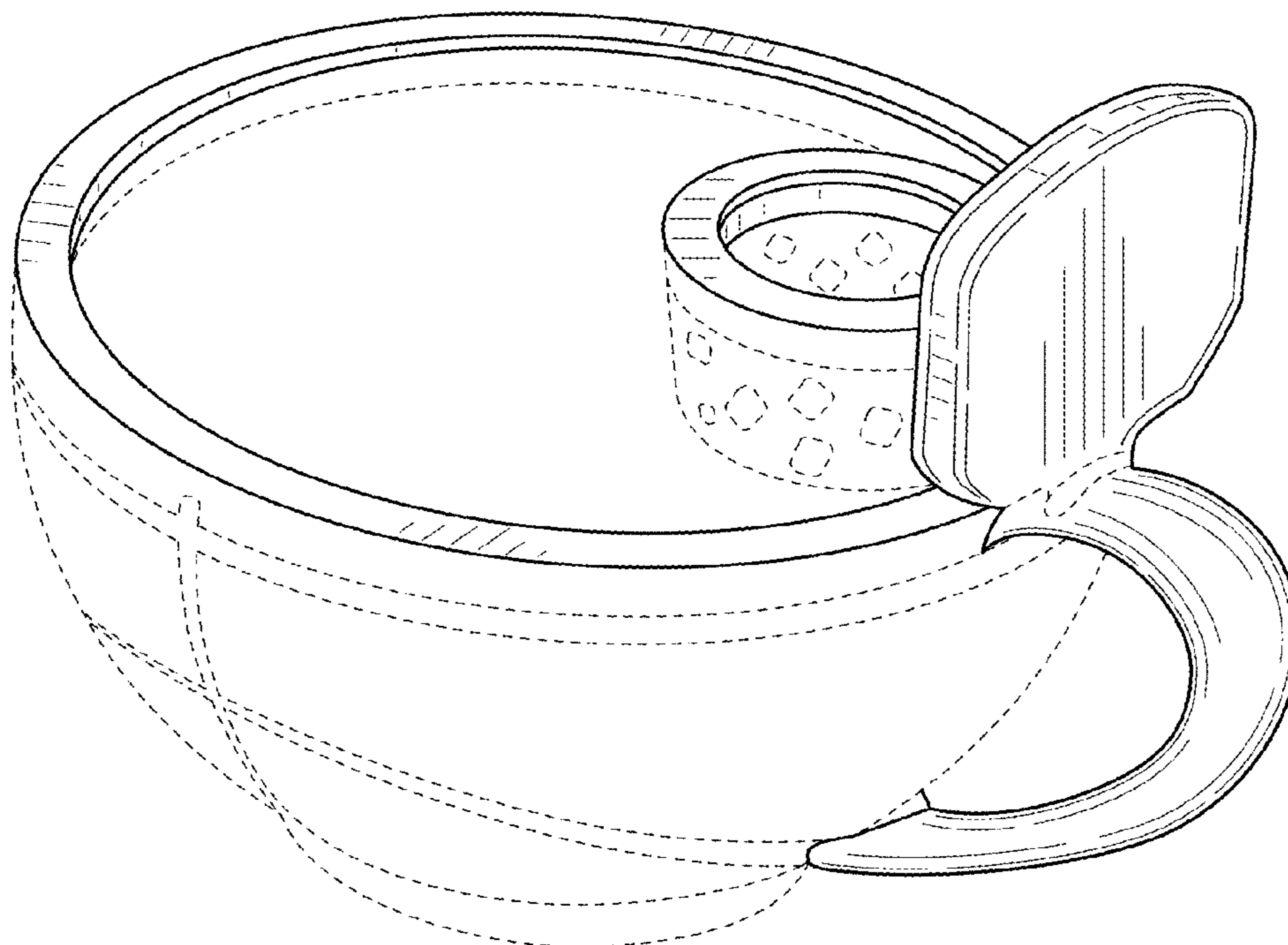
FIG. 1 is a top perspective view of a mug with basketball hoop showing my new design;  
FIG. 2 is a top view thereof;  
FIG. 3 is an enlarged view of the dashed rectangular section shown in FIG. 2;  
FIG. 4 is a bottom view thereof;  
FIG. 5 is a front view thereof; and,  
FIG. 6 is a side view thereof.  
The ornamental design, which is claimed, is shown in solid lines in the drawings. Any broken lines in the drawings depict unclaimed portions of the mug with basketball hoop and form no part of the claimed design.

(56) **References Cited**

**U.S. PATENT DOCUMENTS**

D330,826 S \* 11/1992 English ..... D7/515  
D448,621 S \* 10/2001 Satterfield ..... D7/515

**1 Claim, 4 Drawing Sheets**



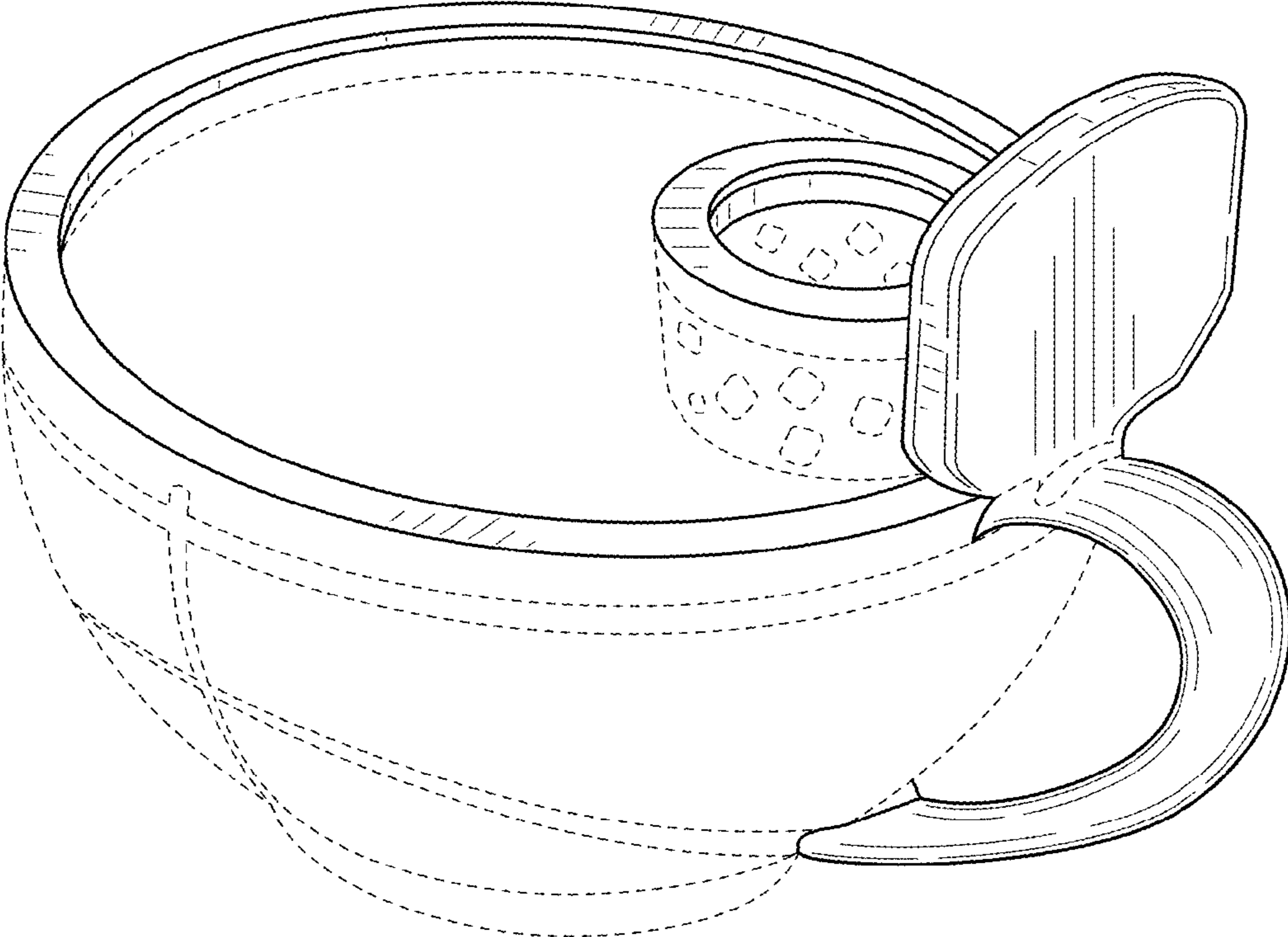


FIG. 1

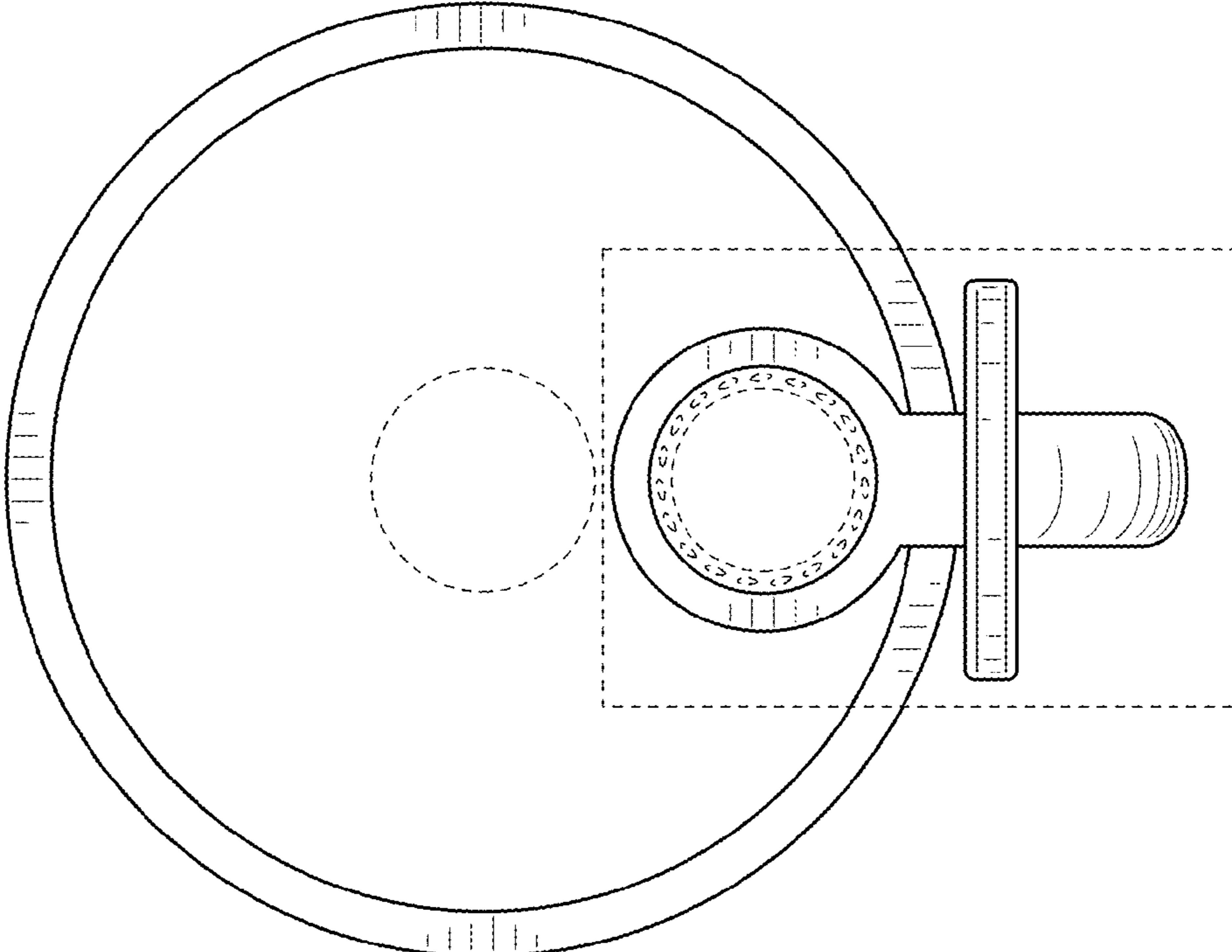


FIG. 2

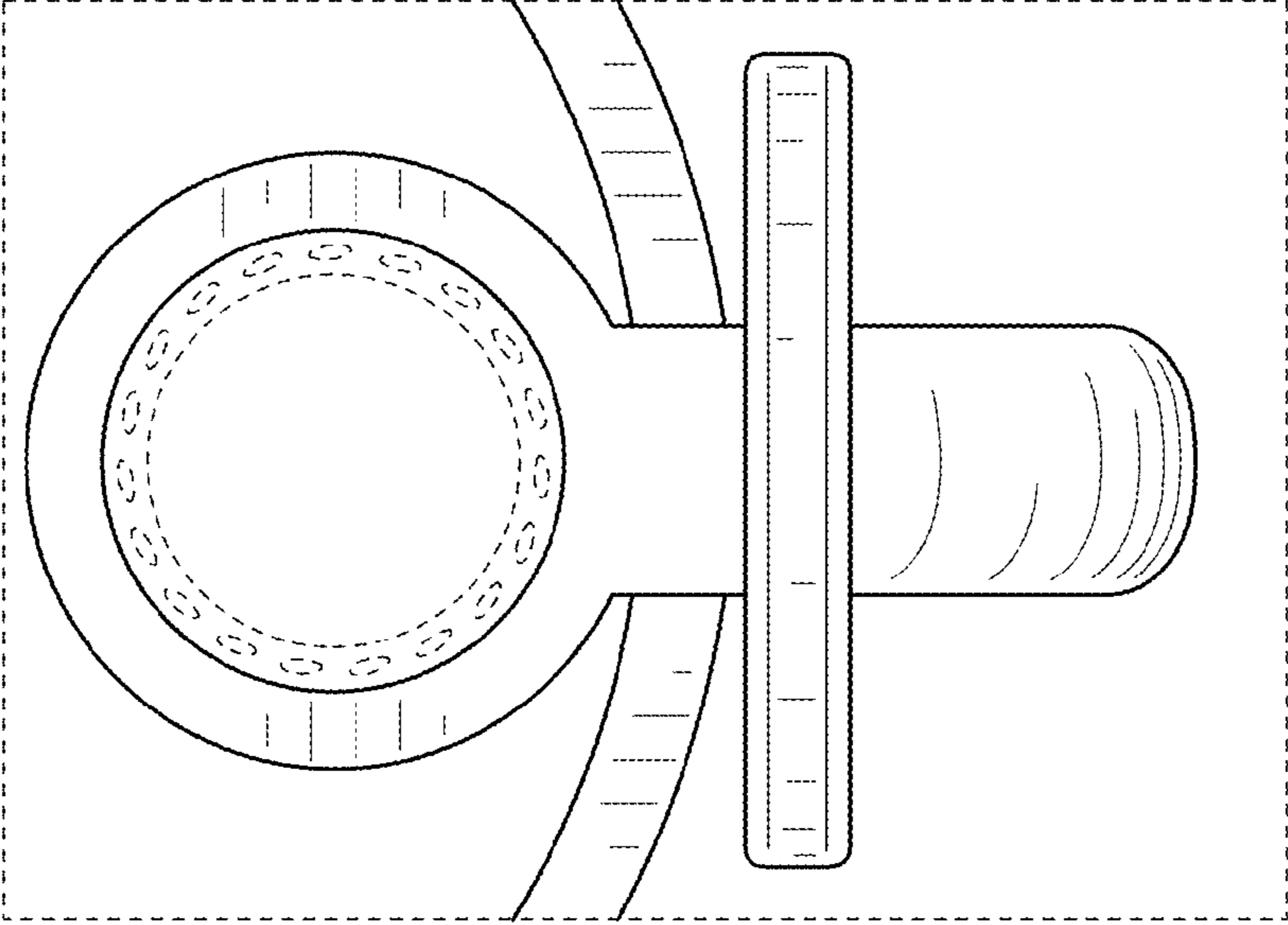


FIG. 3

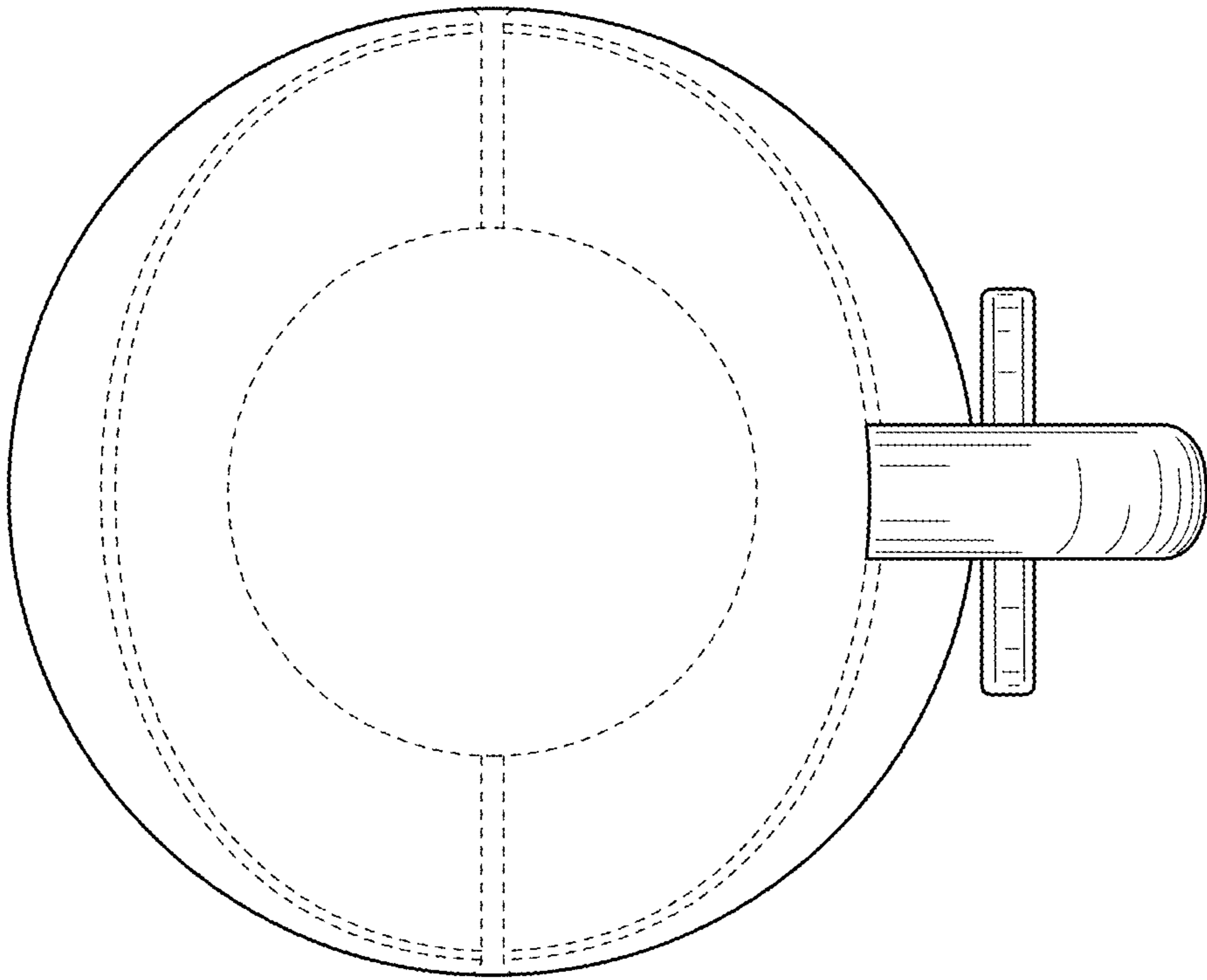


FIG. 4

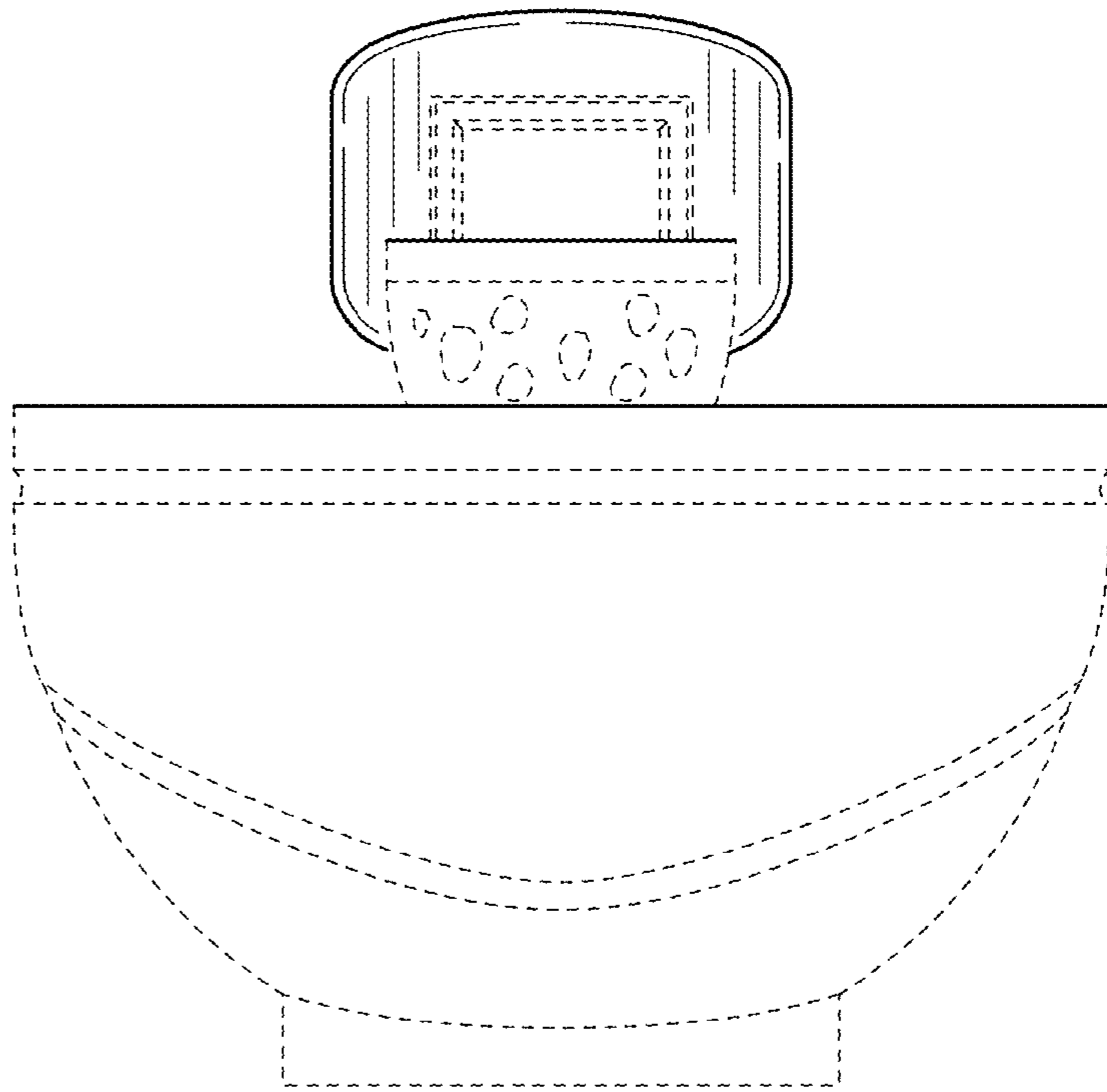


FIG. 5

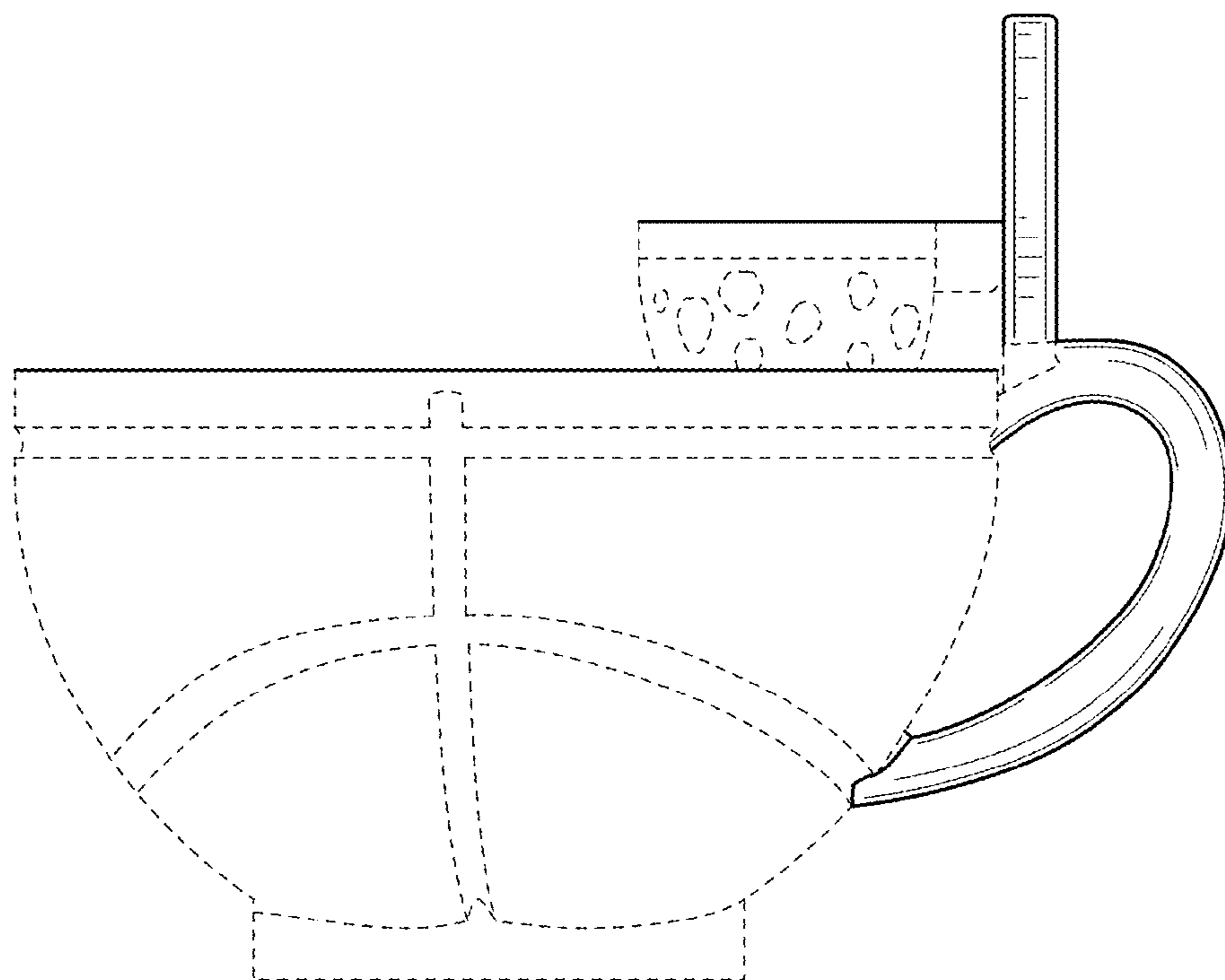


FIG. 6