



US00D723335S

(12) **United States Design Patent**  
**Steel**

(10) **Patent No.:** **US D723,335 S**  
(45) **Date of Patent:** **\*\* Mar. 3, 2015**

(54) **JIGGER**

(71) Applicant: **Jeffrey Steel**, Hoboken, NJ (US)

(72) Inventor: **Jeffrey Steel**, Hoboken, NJ (US)

(73) Assignee: **Cotapax, Custom Design and Manufacturing LLC**, Carlstadt, NJ (US)

(\*\*) Term: **14 Years**

(21) Appl. No.: **29/492,054**

(22) Filed: **May 28, 2014**

(51) **LOC (10) Cl.** ..... **07-01**

(52) **U.S. Cl.**  
USPC ..... **D7/533; D7/509; D10/46.2**

(58) **Field of Classification Search**  
CPC ..... **A47G 19/22**  
USPC ..... **D7/509, 523, 513, 529, 510, 524, 511, D7/507; D9/743, 741; 222/135; 220/23.4, 220/703, 707-709, 737; 215/229; D10/46.2**  
See application file for complete search history.

(56) **References Cited**

**U.S. PATENT DOCUMENTS**

3,924,472 A \* 12/1975 Harris ..... 73/426

D241,301 S *	9/1976	Harris	.....	D7/667
D258,796 S *	4/1981	Paulides	.....	D7/513
D316,652 S *	5/1991	Hunter	.....	D7/510
D348,588 S *	7/1994	Yasunaga	.....	D7/510
D534,037 S *	12/2006	Oas	.....	D7/507
D670,578 S *	11/2012	Perry et al.	.....	D10/46.2
D711,194 S *	8/2014	Cherkasov	.....	D7/531

\* cited by examiner

*Primary Examiner* — Marianne Pandozzi

(74) *Attorney, Agent, or Firm* — Steven E. Shapiro

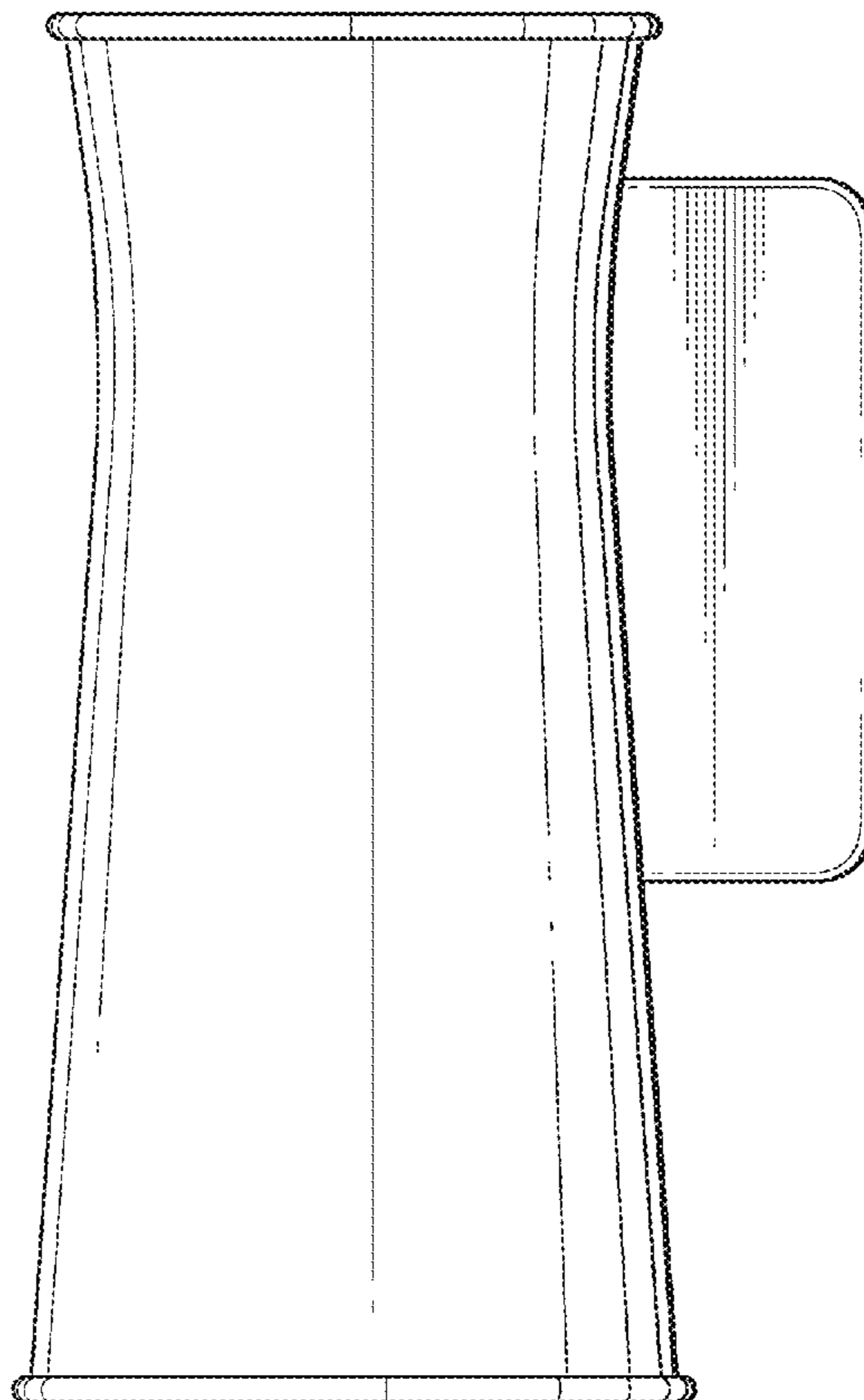
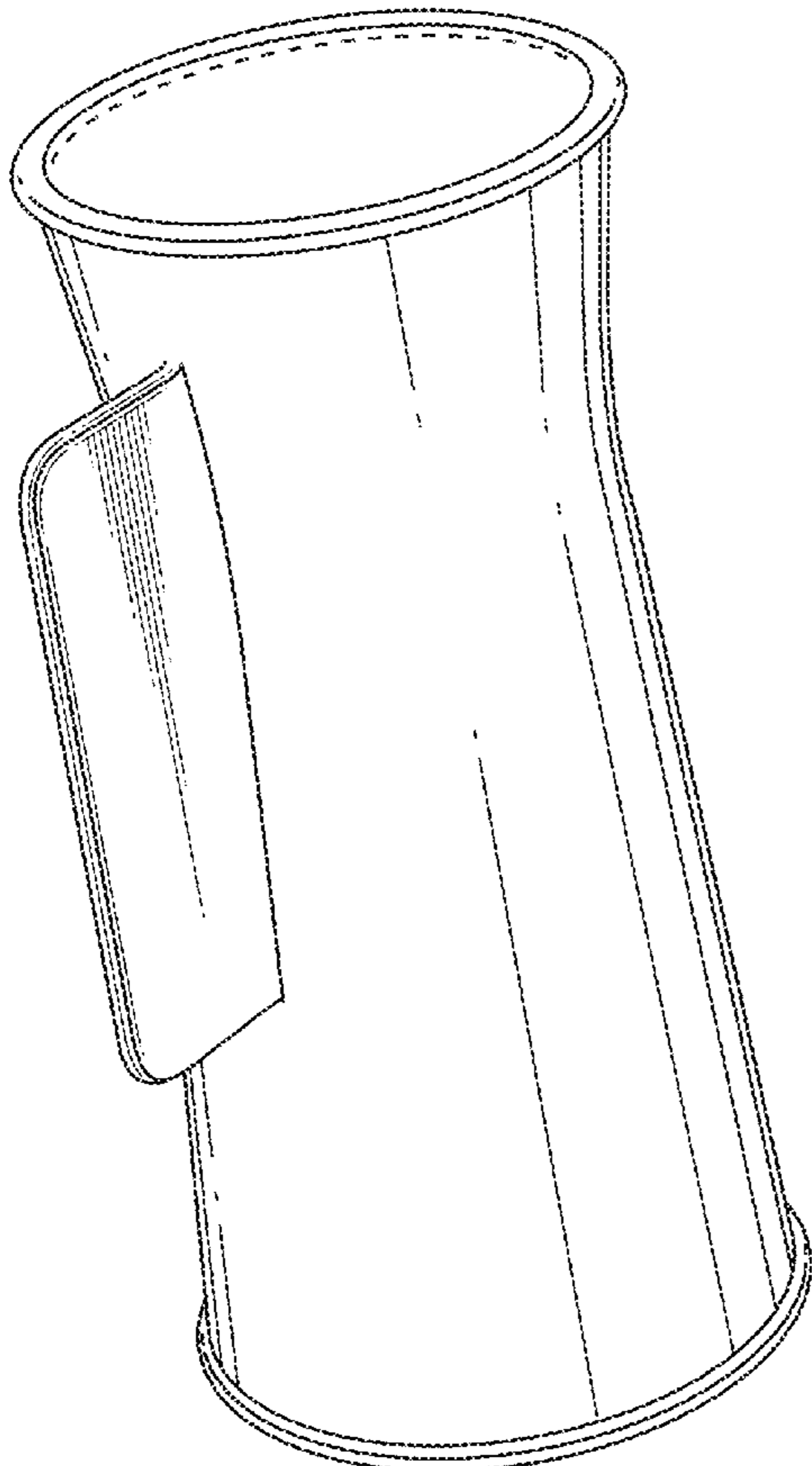
(57) **CLAIM**

The ornamental design for a jigger, as shown and described.

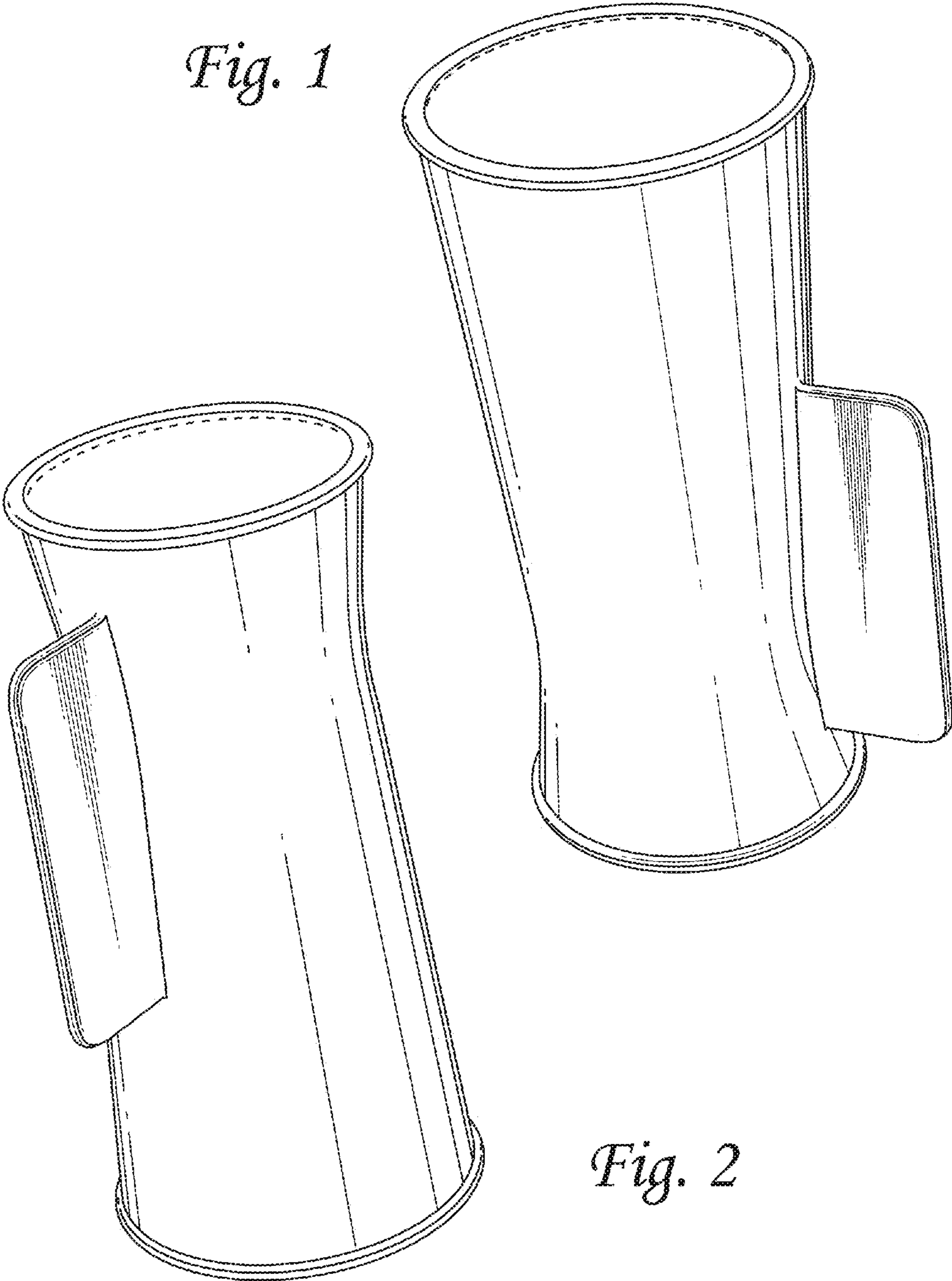
**DESCRIPTION**

FIG. 1 is a bottom perspective view of a jigger;  
FIG. 2 is a top perspective view of the jigger;  
FIG. 3 is a front view of the jigger;  
FIG. 4 is a rear view of the jigger;  
FIG. 5 is a left side view of the jigger;  
FIG. 6 is a right side view of the jigger;  
FIG. 7 is a bottom view of the jigger; and,  
FIG. 8 is a top view of the jigger.  
The broken lines shown in the drawings represent portions of the jigger that form no part of the claimed design.

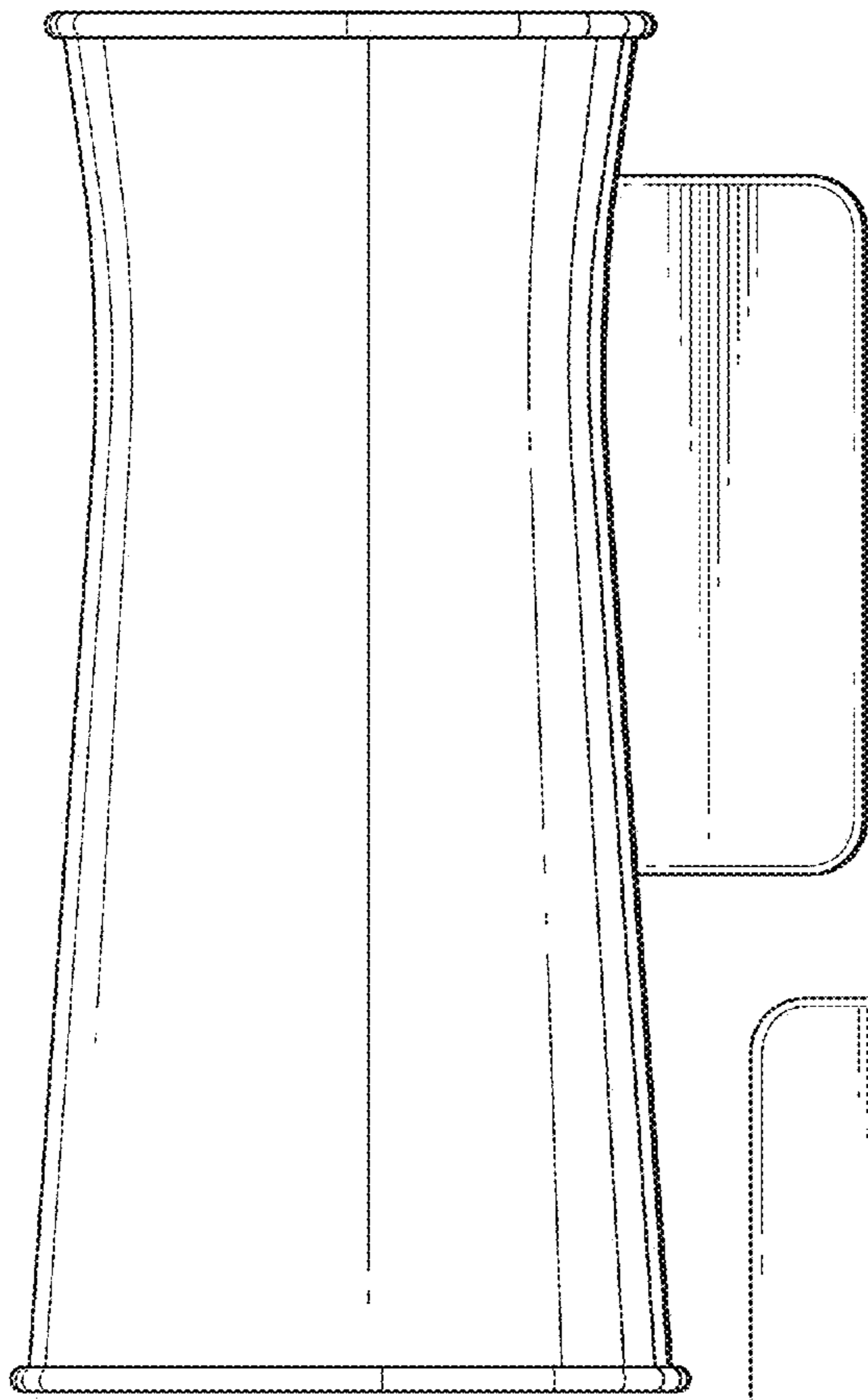
**1 Claim, 4 Drawing Sheets**



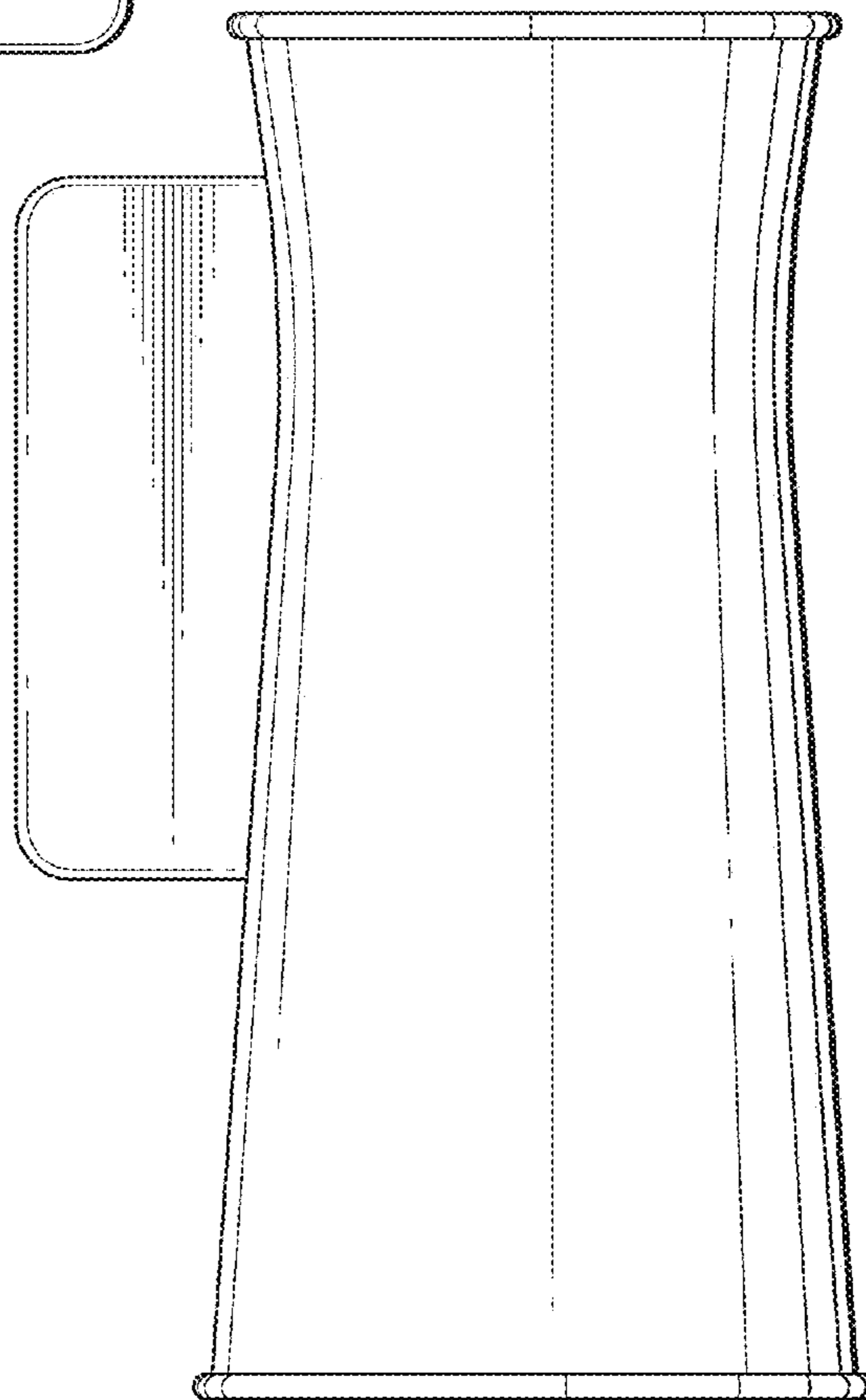
*Fig. 1*



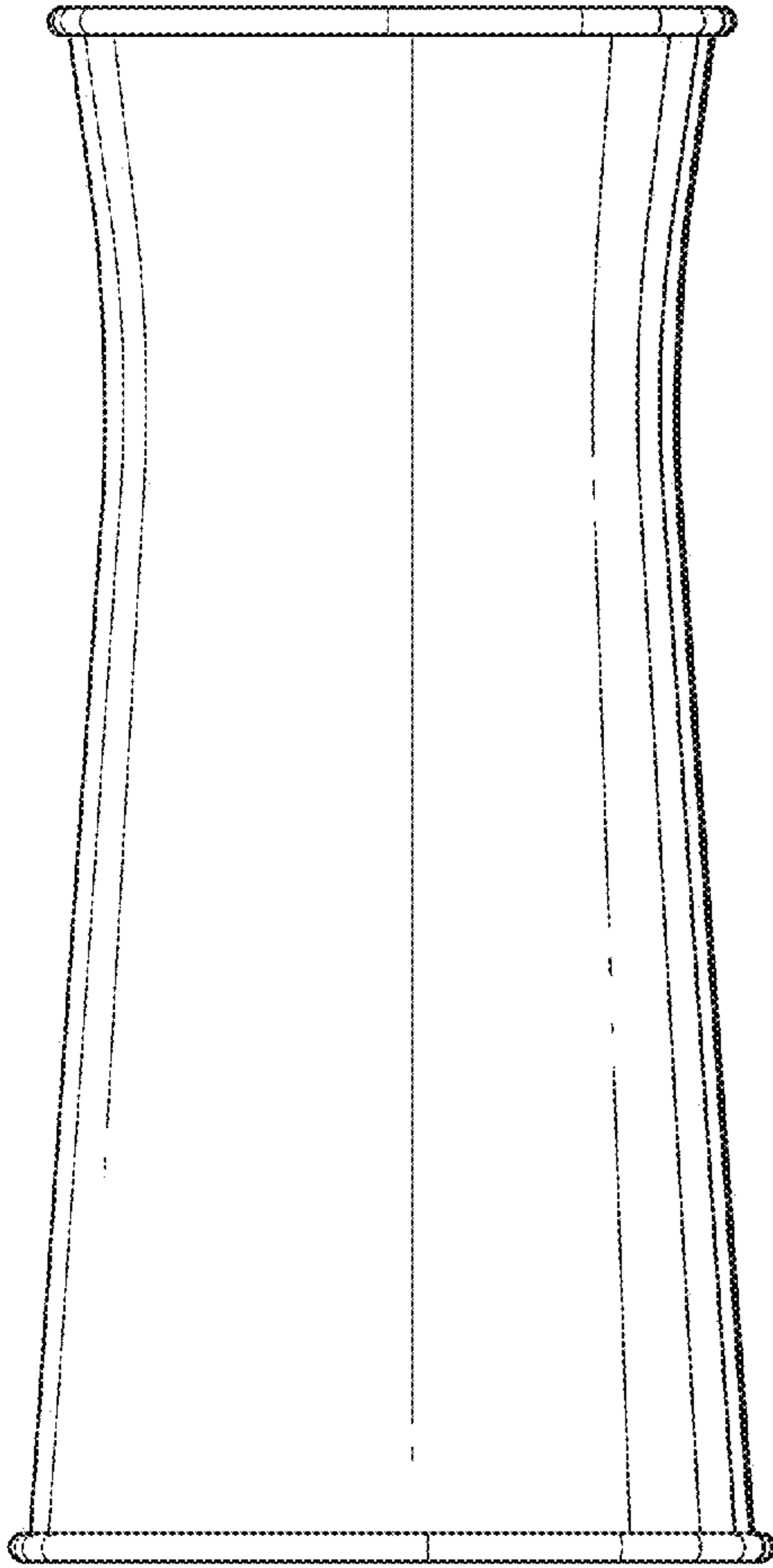
*Fig. 2*



*Fig. 3*

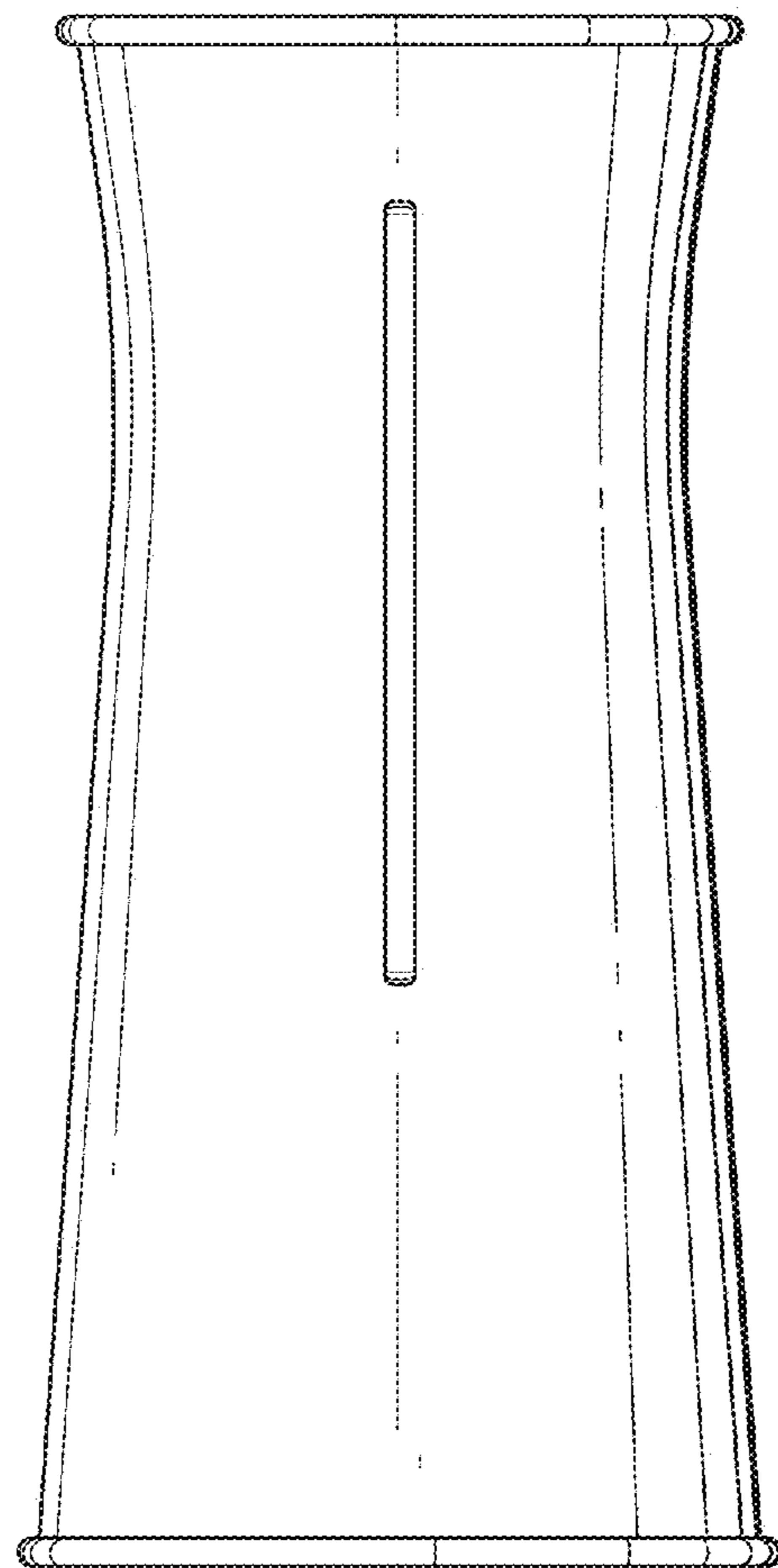


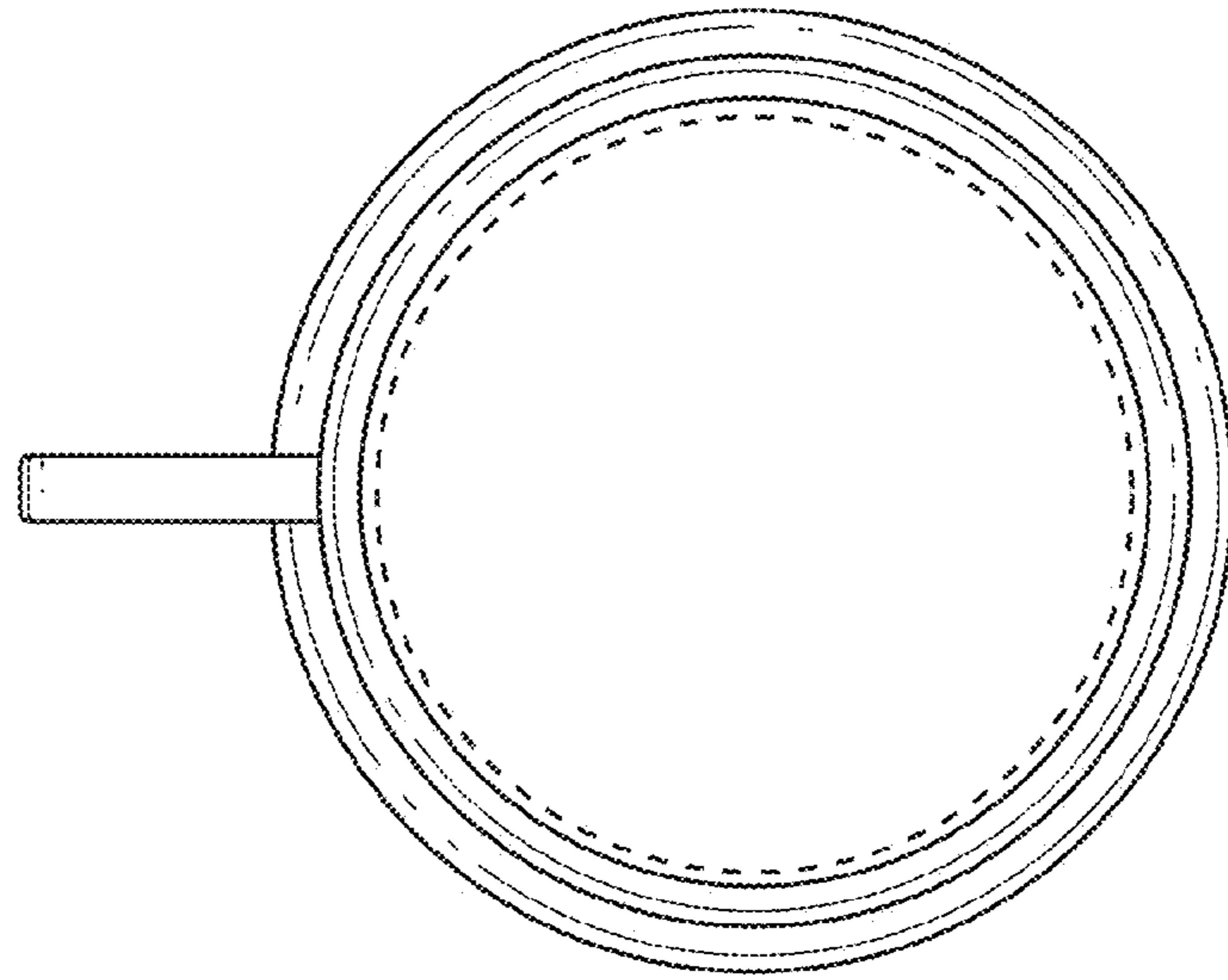
*Fig. 4*



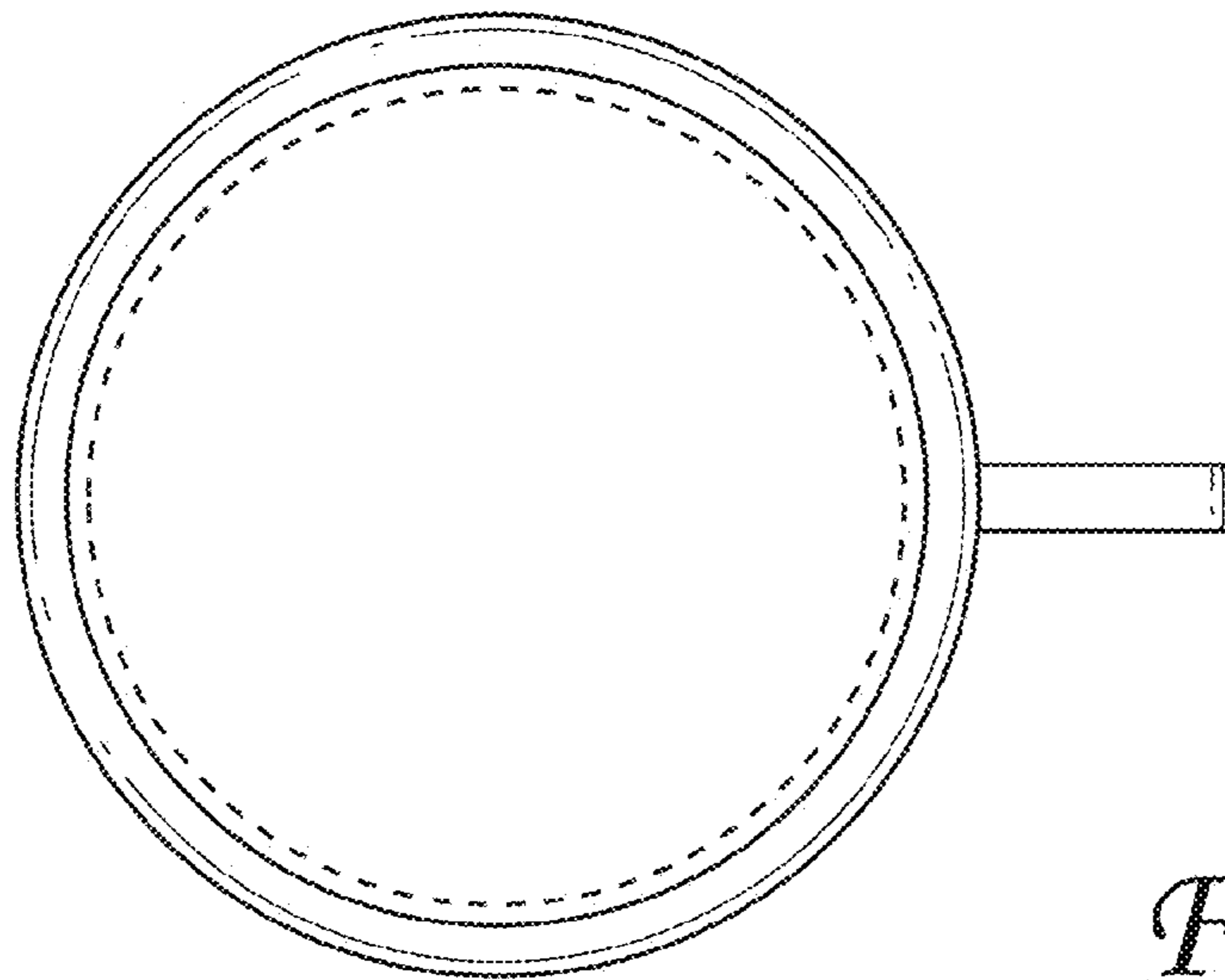
*Fig. 5*

*Fig. 6*





*Fig. 7*



*Fig. 8*