



US00D723334S

(12) **United States Design Patent**
Agarwal et al.

(10) **Patent No.:** **US D723,334 S**

(45) **Date of Patent:** **** *Mar. 3, 2015**

(54) **AERATING WINE GLASS**

(71) Applicant: **True Fabrications, Inc.**, Seattle, WA
(US)

(72) Inventors: **Dhruv Agarwal**, Seattle, WA (US); **Erin Malaspino**, Seattle, WA (US)

(73) Assignee: **True Fabrications, Inc.**, Seattle, WA
(US)

(*) Notice: This patent is subject to a terminal disclaimer.

(**) Term: **14 Years**

(21) Appl. No.: **29/437,525**

(22) Filed: **Nov. 16, 2012**

(51) **LOC (10) Cl.** **07-01**

(52) **U.S. Cl.**
USPC **D7/523**

(58) **Field of Classification Search**
USPC D7/213, 305, 392.1, 396.2, 505, 507,
D7/509, 510, 511, 522, 523, 528, 532, 533,
D7/536, 537; 220/703, 705, 710, 713
See application file for complete search history.

(56) **References Cited**

U.S. PATENT DOCUMENTS

D357,085 S	*	4/1995	Ratia	D26/10
D434,943 S	*	12/2000	Price	D7/509
D438,430 S	*	3/2001	Gabrhel	D7/523
D550,033 S	*	9/2007	Bodum	D7/509
D578,827 S	*	10/2008	Barducci	D7/523

D582,580 S	*	12/2008	Spangler et al.	D26/9
D614,917 S	*	5/2010	Calco	D7/509
D623,899 S	*	9/2010	Baratte	D7/531
D687,263 S	*	8/2013	Chiorazzi et al.	D7/529

OTHER PUBLICATIONS

Riedel "O" Bordeaux Wine Tumbler Sets by Williams-Sonoma, dated Sep. 3, 2008. found online [Dec. 3, 2013] http://www.williams-sonoma.com/products/riedel-o-bordeaux-wine-tumbler/?cm_src=AutoRel.*

Riedel "O" Trio, Bordeaux by Williams-Sonoma dated Dec. 21, 2009. found online [Dec. 3, 2013] <http://www.williams-sonoma.com/products/riedel-o-trio-bordeaux-wine-glass/?pkey=ctabletop-stemware>.*

* cited by examiner

Primary Examiner — Robert M Spear

Assistant Examiner — Marissa Cash

(74) *Attorney, Agent, or Firm* — Lowe Graham Jones PLLC

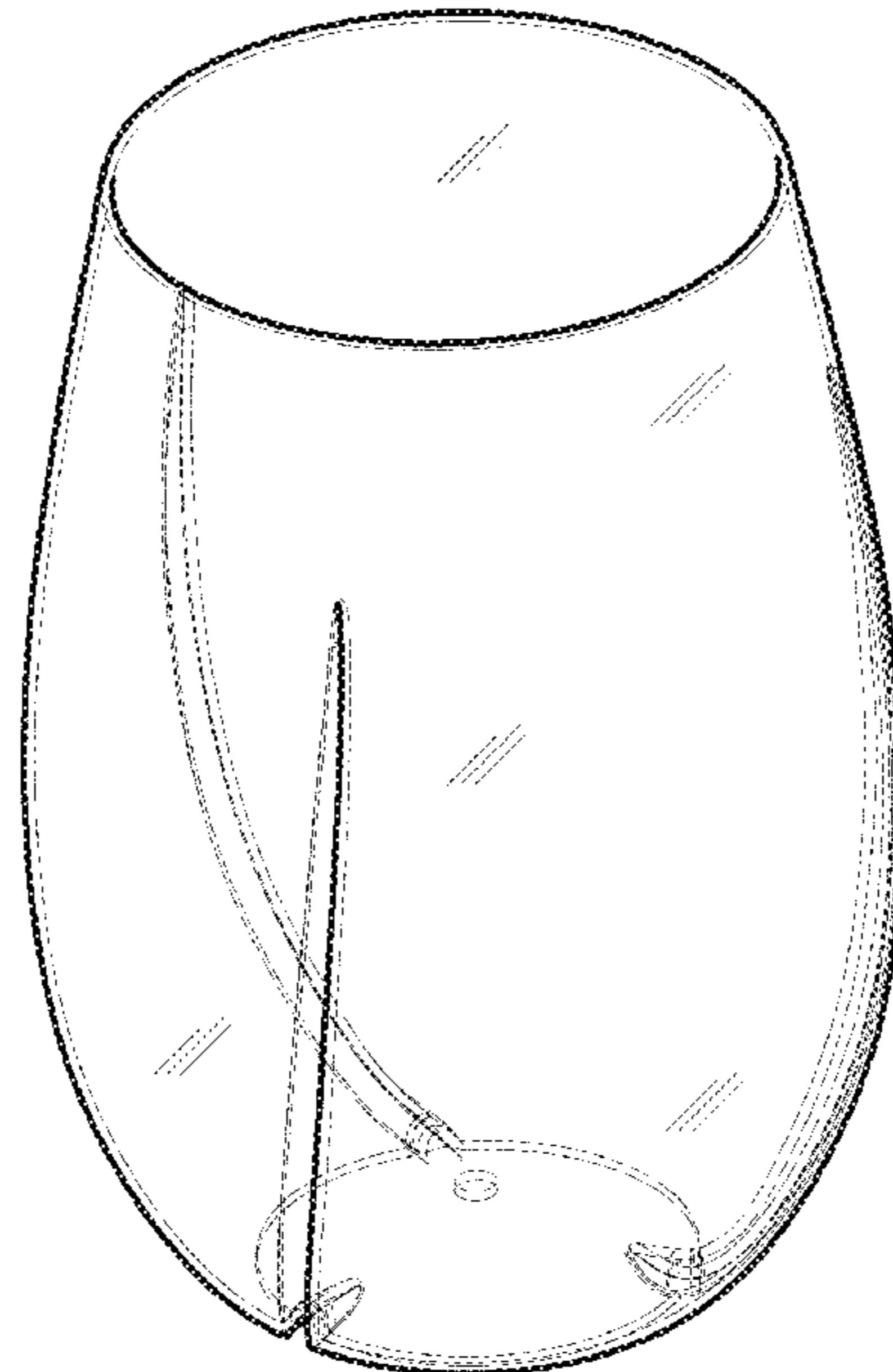
(57) **CLAIM**

We claim the ornamental design for the aerating wine glass, as shown and described in the drawings attached.

DESCRIPTION

FIG. 1 is a front isometric view of the aerating wine glass, showing our ornamental design; FIG. 2 is top orthographic view of the aerating wine glass; FIG. 3 is front elevation view of the aerating wine glass; and, FIG. 4 is a bottom orthographic view of the aerating wine glass.

1 Claim, 2 Drawing Sheets



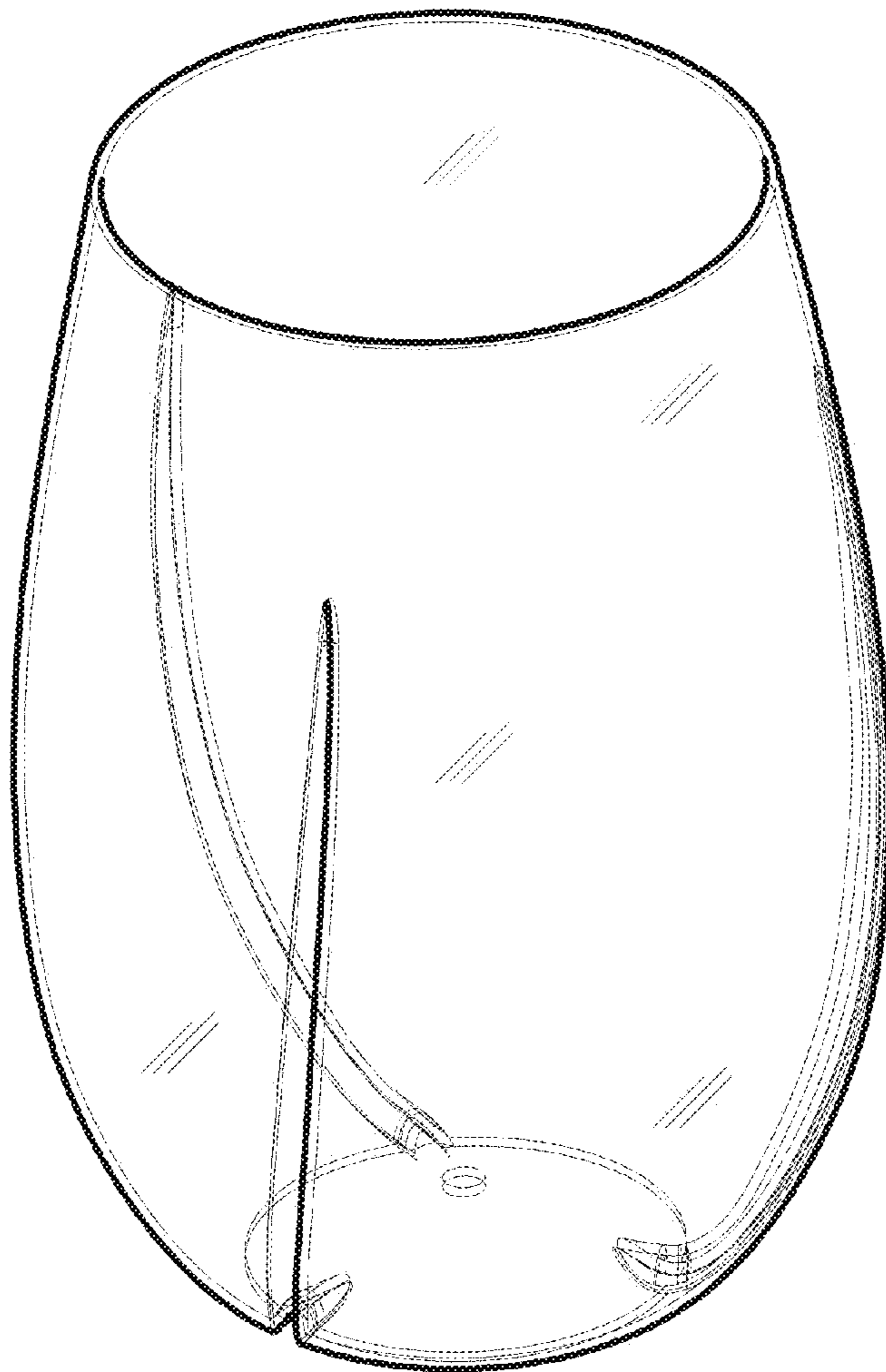


Fig. 1

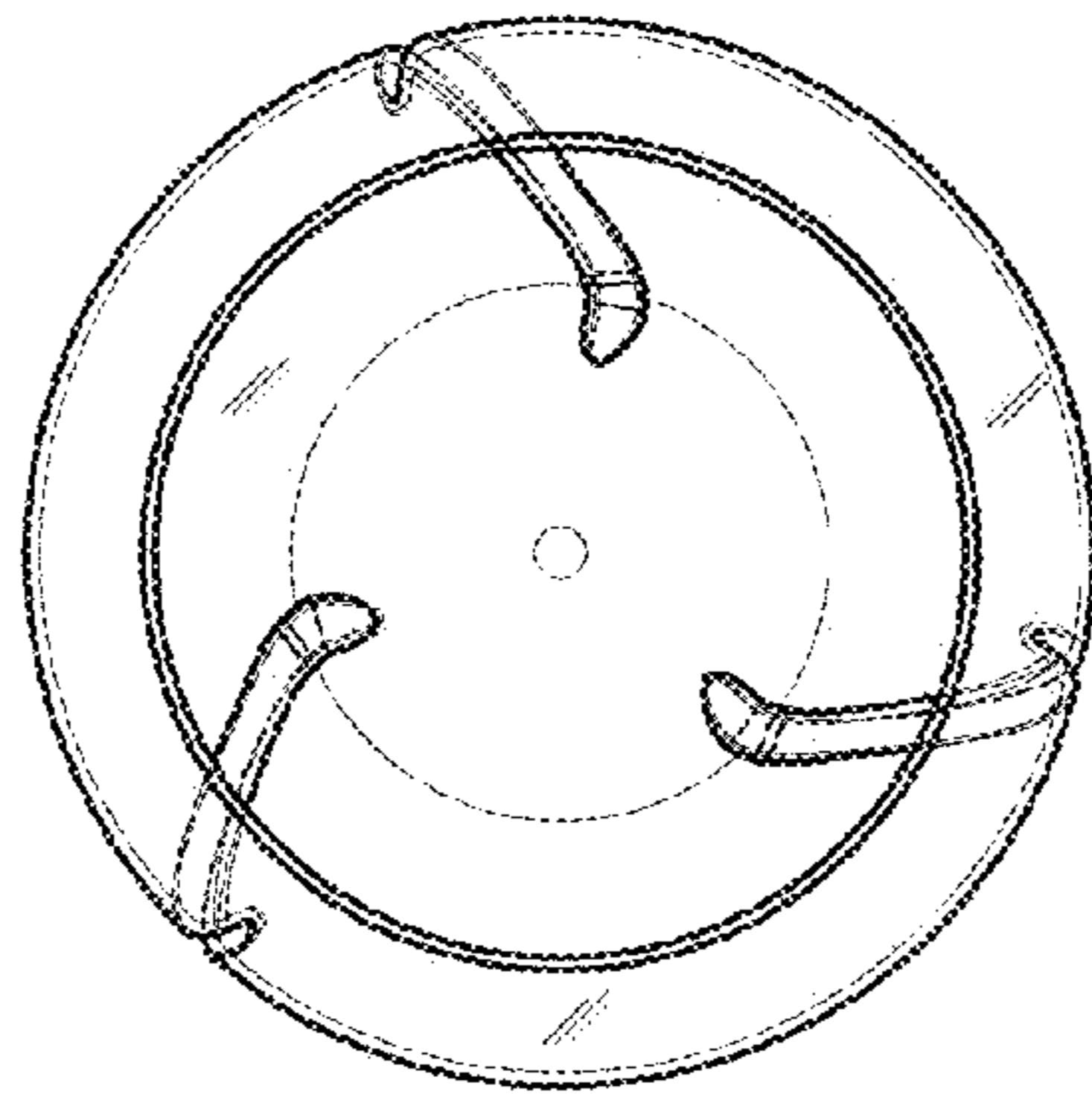


Fig. 2

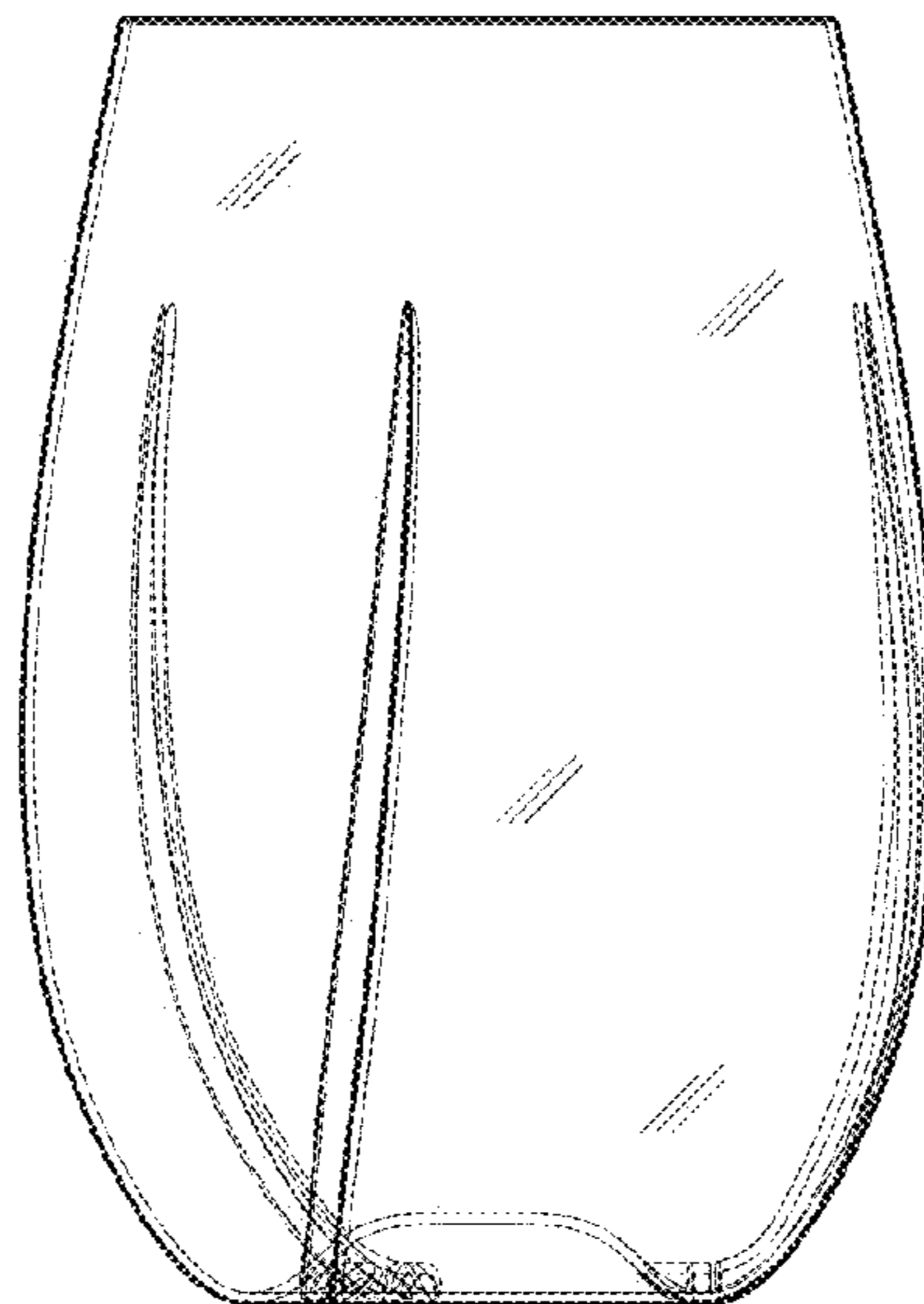


Fig. 3

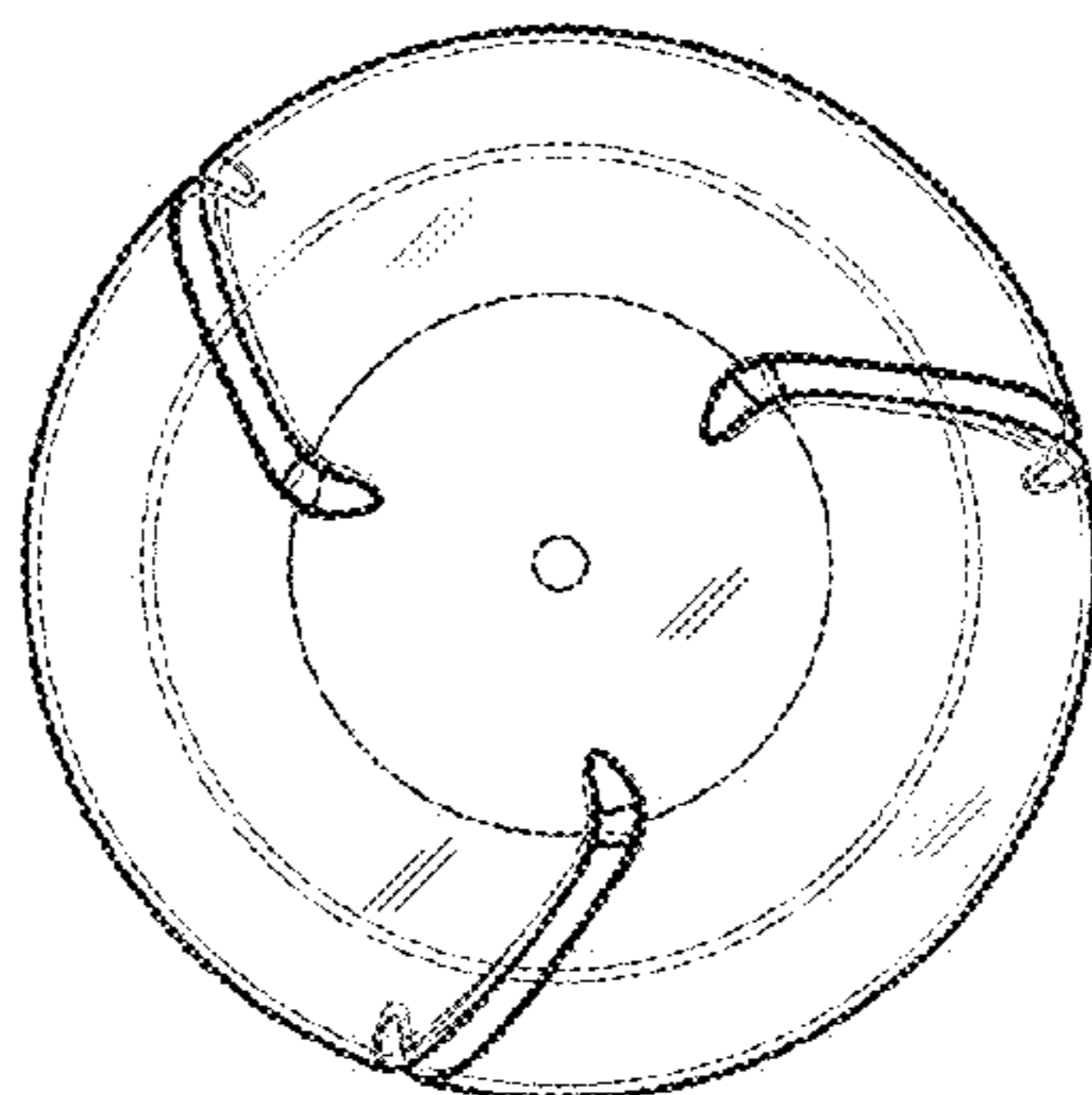


Fig. 4