



US00D723330S

(12) **United States Design Patent**  
**York**

(10) **Patent No.:** **US D723,330 S**  
(45) **Date of Patent:** **\*\* Mar. 3, 2015**

- (54) **DEBRIS MASK AND BASIN**
- (76) Inventor: **Barry Dean York**, Clarksville, TN (US)
- (\*\*) Term: **14 Years**
- (21) Appl. No.: **29/421,196**
- (22) Filed: **Jun. 11, 2012**
- (51) **LOC (10) Cl.** ..... **07-02**
- (52) **U.S. Cl.**  
USPC ..... **D7/406**
- (58) **Field of Classification Search**  
USPC ..... D7/402–408, 359, 601, 348, 362;  
D15/150; D23/200, 284, 289, 393;  
126/277, 339, 332, 41 R, 39 C, 39 B,  
126/19 R, 242, 245, 299 C; 184/106; 4/619;  
210/48; 220/573  
See application file for complete search history.

D370,227 S *	5/1996	Mosley	.....	D15/150
D414,654 S *	10/1999	Epps	.....	D7/402
6,016,578 A *	1/2000	Malouf	.....	4/619
D423,531 S *	4/2000	Becker	.....	D15/150
D468,163 S *	1/2003	Blake et al.	.....	D7/601
D497,199 S *	10/2004	Lockwood	.....	D23/289
6,869,629 B2 *	3/2005	Tiernan	.....	126/39 C
7,168,524 B2 *	1/2007	Bemis	.....	220/573
D555,780 S *	11/2007	Wanninger	.....	D23/393
7,363,923 B2 *	4/2008	Czajka et al.	.....	126/39 B
D590,490 S *	4/2009	Lary	.....	D23/386
D641,385 S *	7/2011	Armstrong	.....	D15/150
8,347,874 B2 *	1/2013	Bruno et al.	.....	126/41 R

\* cited by examiner

*Primary Examiner* — T. Chase Nelson  
*Assistant Examiner* — Mark Cavanna  
(74) *Attorney, Agent, or Firm* — Stephen J. Stark

(57) **CLAIM**  
The ornamental design for a debris mask and basin, as shown and described.

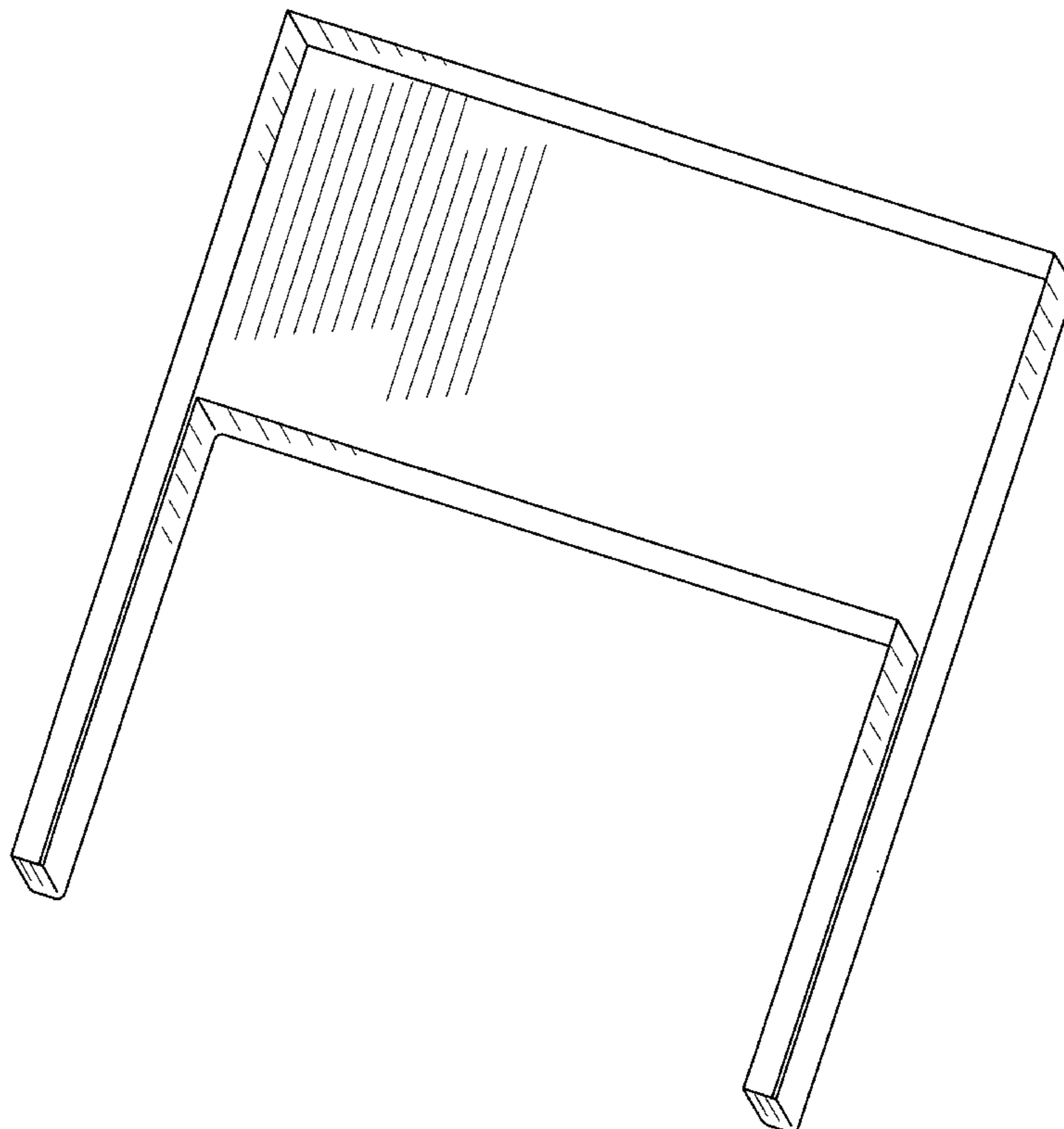
(56) **References Cited**  
U.S. PATENT DOCUMENTS

1,399,747 A *	12/1921	Chadwick	.....	126/277
1,787,022 A *	12/1930	Seeley	.....	126/339
2,209,807 A *	7/1940	Belsky	.....	210/248
2,691,369 A *	10/1954	Rutenber	.....	126/332
3,062,323 A *	11/1962	Oganovic	.....	184/106
3,596,591 A *	8/1971	Spates	.....	126/41 R
D253,333 S *	11/1979	Carr et al.	.....	D7/359
D261,170 S *	10/1981	McFarlane	.....	D23/289
D307,623 S *	5/1990	Carbonell	.....	D23/200
D332,828 S *	1/1993	Schaerrer	.....	D23/284

**DESCRIPTION**

FIG. 1 is a perspective view of the debris mask and basin showing the top thereof.  
FIG. 2 is a front view of the debris mask and basin  
FIG. 3 is a back view of the debris mask and basin.  
FIG. 4 is a bottom view of the debris mask and basin.  
FIG. 5 is a left side view of the debris mask and basin, the right side view being a mirror image thereof; and,  
FIG. 6 is a top view of the debris mask and basin.

**1 Claim, 5 Drawing Sheets**



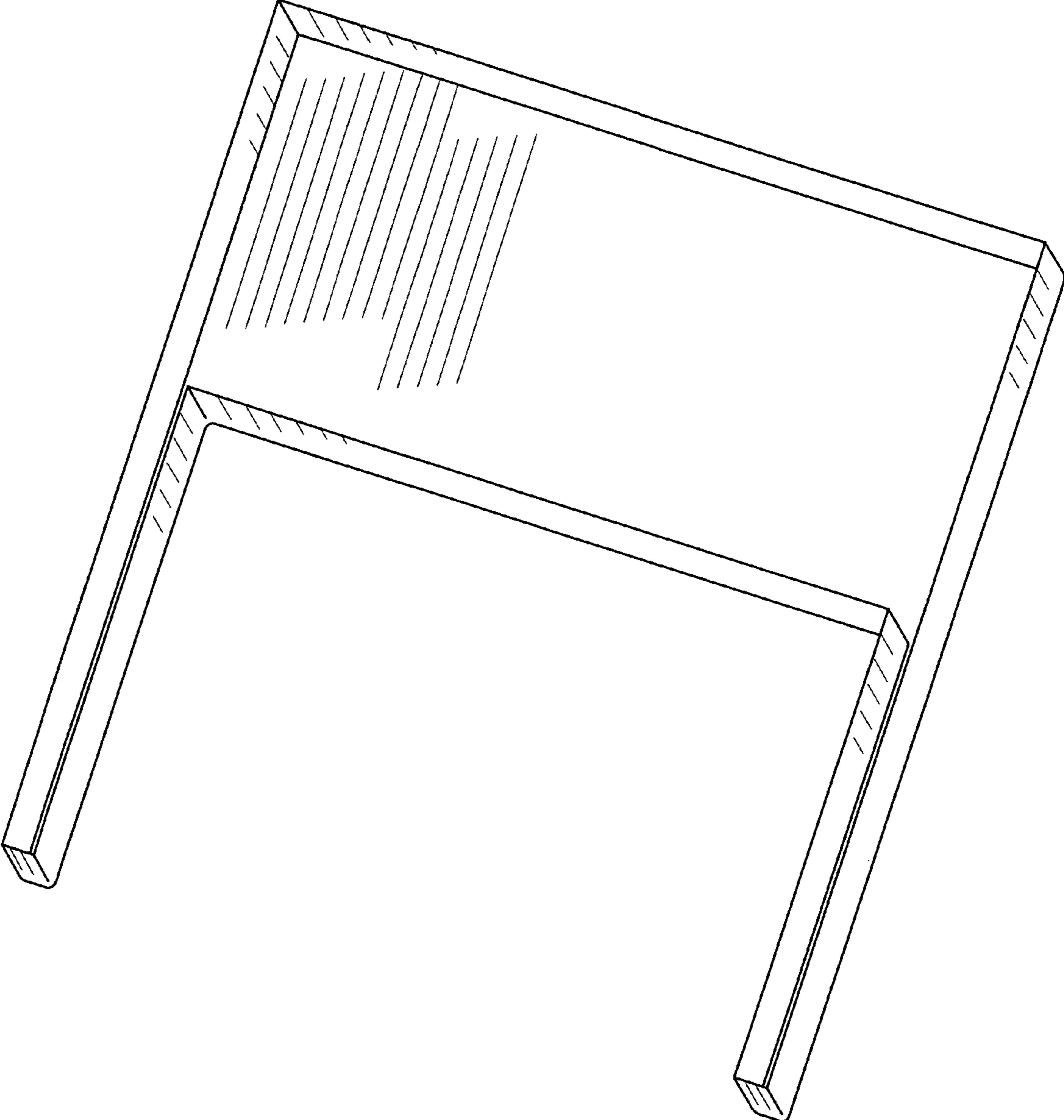


Fig. 1



Fig. 2



Fig. 3

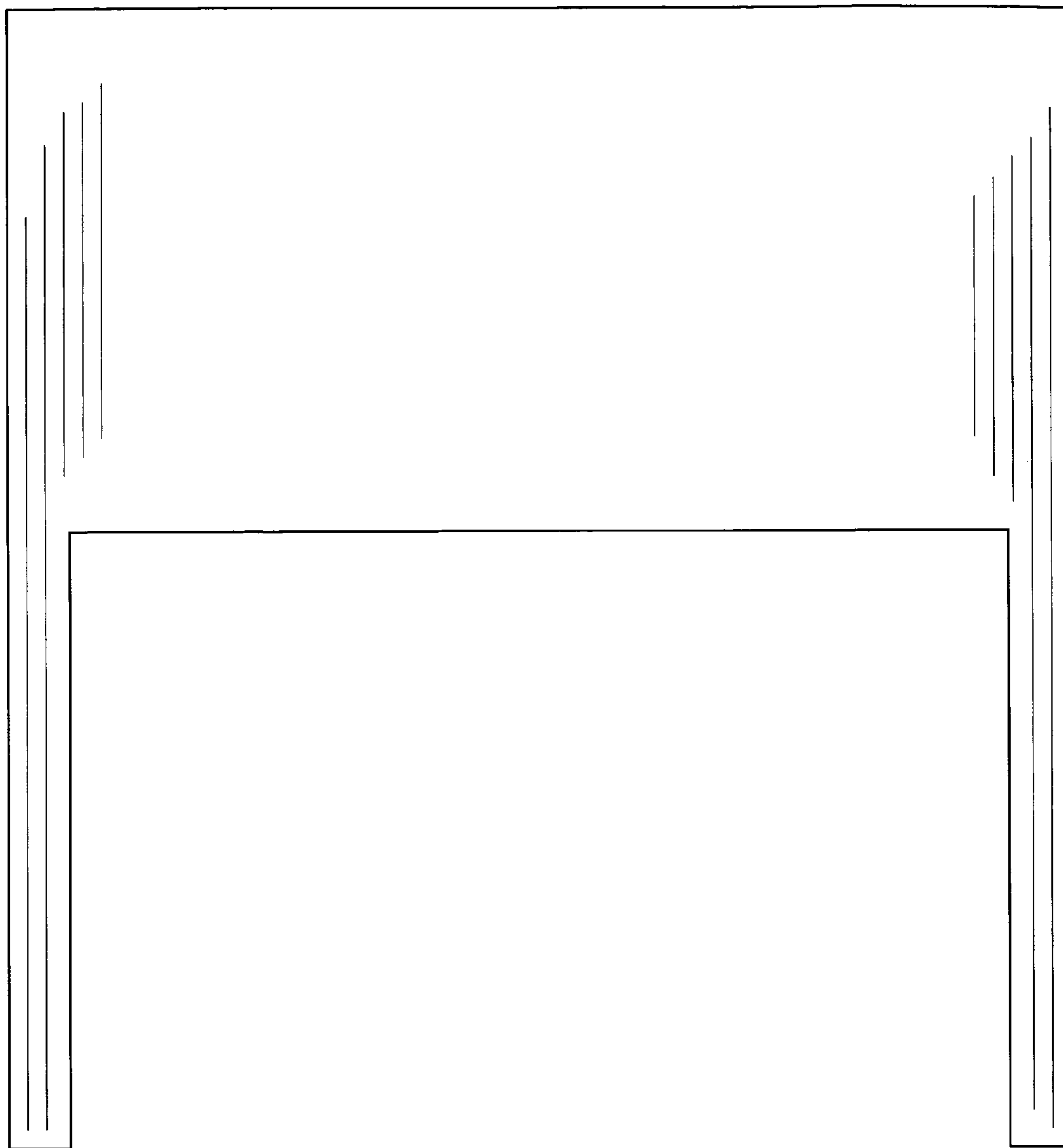


Fig. 4

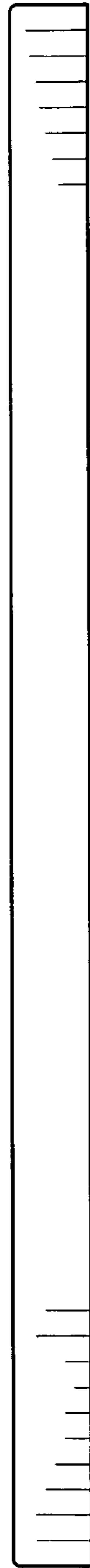


Fig. 5

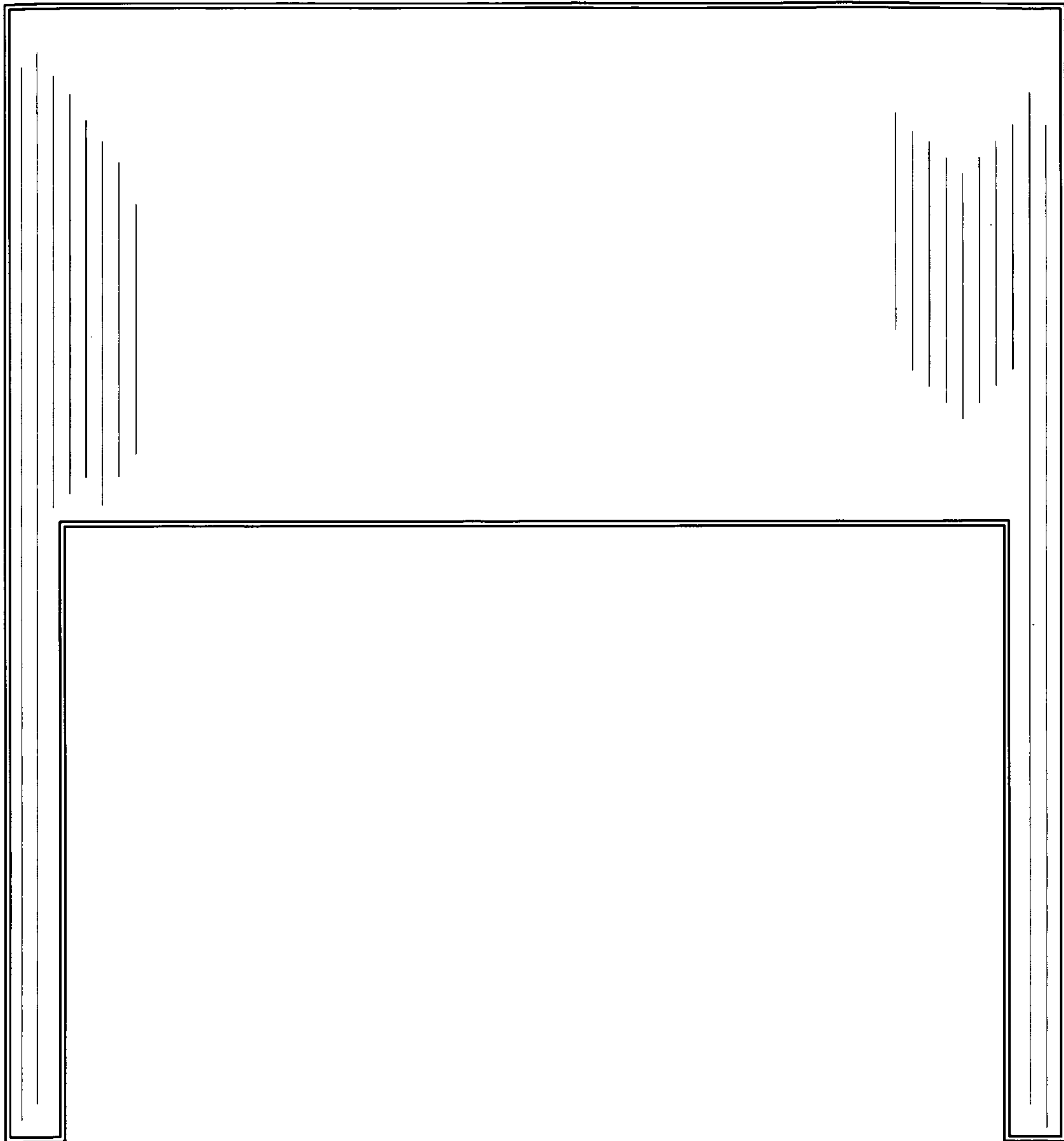


Fig. 6