



US00D723329S

(12) **United States Design Patent**  
**Dakis**

(10) **Patent No.:** **US D723,329 S**  
(45) **Date of Patent:** **\*\* Mar. 3, 2015**

- (54) **BREWING CUP**
- (71) Applicant: **Louis Dakis**, Clifton, NJ (US)
- (72) Inventor: **Louis Dakis**, Clifton, NJ (US)
- (\*\*) Term: **14 Years**
- (21) Appl. No.: **29/456,847**
- (22) Filed: **Jun. 4, 2013**
- (51) **LOC (10) Cl.** ..... **07-99**
- (52) **U.S. Cl.**  
USPC ..... **D7/400; D7/399**
- (58) **Field of Classification Search**  
USPC ..... D7/400, 397, 300, 399; D23/209;  
210/482; 99/306, 323.3; 426/431  
See application file for complete search history.

6,658,989	B2	12/2003	Sweeney et al.	
6,708,600	B2	3/2004	Winkler et al.	
D502,362	S	3/2005	Lazaris et al.	
7,165,488	B2	1/2007	Bragg et al.	
7,255,039	B2	8/2007	Halliday et al.	
7,513,192	B2	4/2009	Sullivan et al.	
7,523,695	B2	4/2009	Streeter et al.	
7,591,218	B2	9/2009	Bunn et al.	
7,748,579	B1	7/2010	Shin	
D637,484	S	5/2011	Winkler	
D647,398	S	10/2011	Winkler	
D647,399	S	10/2011	Winkler	
8,062,683	B2	11/2011	Rasmussen et al.	
8,087,347	B2	1/2012	Halliday et al.	
D677,120	S *	3/2013	DeMiglio et al. ....	D7/400
D688,095	S *	8/2013	DeMiglio et al. ....	D7/400
8,734,881	B2 *	5/2014	Yoakim et al. ....	426/431
8,808,778	B2 *	8/2014	Dakis .....	426/431

\* cited by examiner

*Primary Examiner* — Marianne Pandozzi  
(74) *Attorney, Agent, or Firm* — Michael J. Feigin, Esq.;  
Feigin & Associates, LLC

(56) **References Cited**

U.S. PATENT DOCUMENTS

3,455,490	A	7/1969	Jolley	
D255,313	S *	6/1980	Elkerbout .....	D7/400
4,627,456	A	12/1986	BeVier et al.	
4,832,235	A	5/1989	Palmer	
5,325,765	A	7/1994	Sylvan et al.	
D374,911	S *	10/1996	Kahana .....	D23/209
5,811,004	A *	9/1998	Robertson et al. ....	210/482
5,840,189	A	11/1998	Sylvan et al.	
6,079,315	A	6/2000	Beaulieu et al.	
6,082,247	A	7/2000	Beaulicu	
6,182,554	B1	2/2001	Beaulieu et al.	
D452,433	S	12/2001	Lazaris	
D474,110	S	5/2003	Sweeney	
6,606,938	B2	8/2003	Taylor	
6,607,762	B2	8/2003	Lazaris et al.	
6,622,615	B2	9/2003	Heczko	
6,645,537	B2	11/2003	Sweeney et al.	
6,655,260	B2	12/2003	Lazaris et al.	

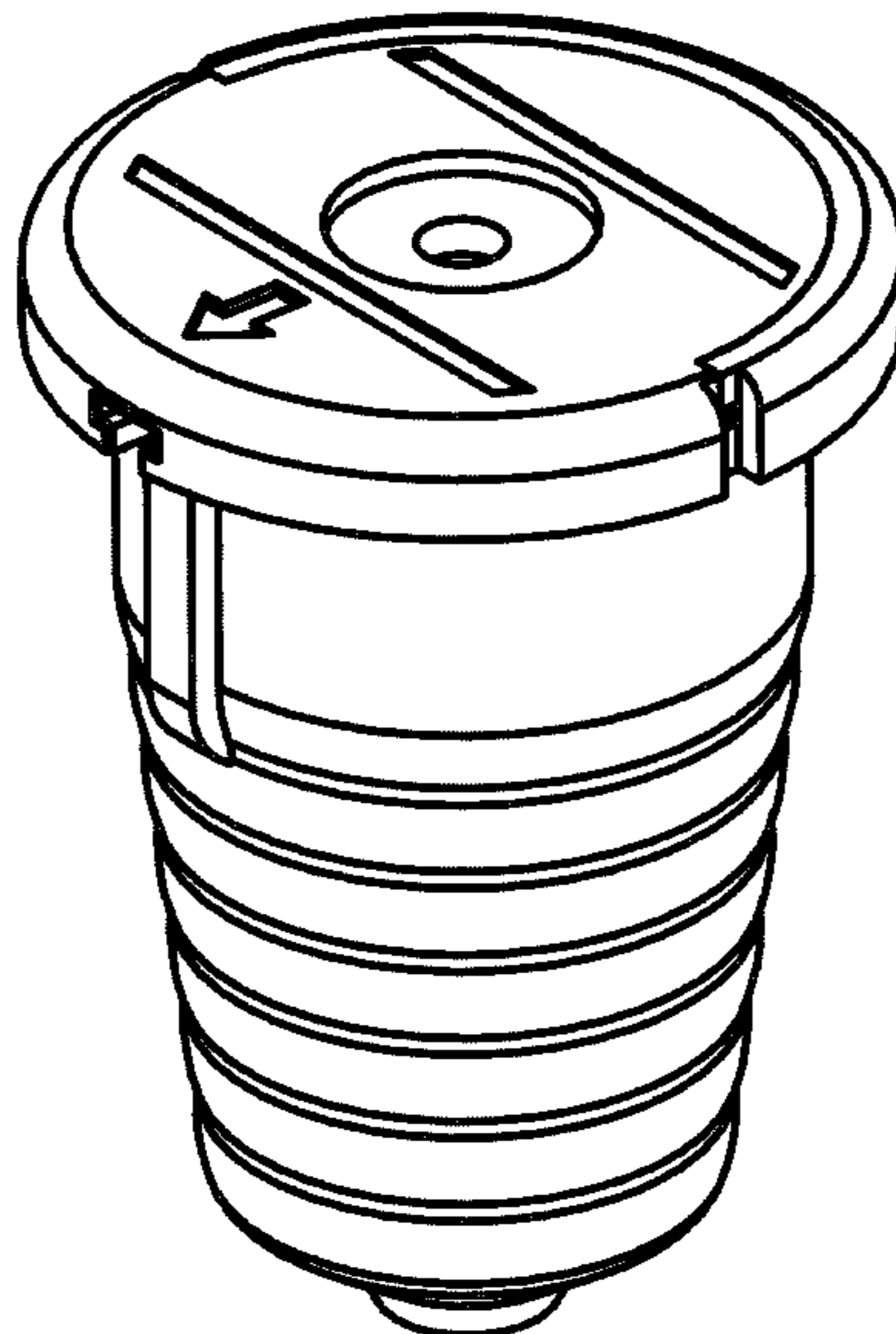
(57) **CLAIM**

The ornamental design for a brewing cup, as shown and described.

**DESCRIPTION**

FIG. 1 is a top and side perspective view of the brewing cup; FIG. 2 is a bottom and side perspective view thereof, the reverse side being identical; FIG. 3 is a top plan view thereof; FIG. 4 is a bottom plan view thereof; FIG. 5 is a front elevation view thereof; FIG. 6 is a right side elevation view thereof, the left side elevation view being identical; and, FIG. 7 is a rear elevation view thereof.

**1 Claim, 7 Drawing Sheets**



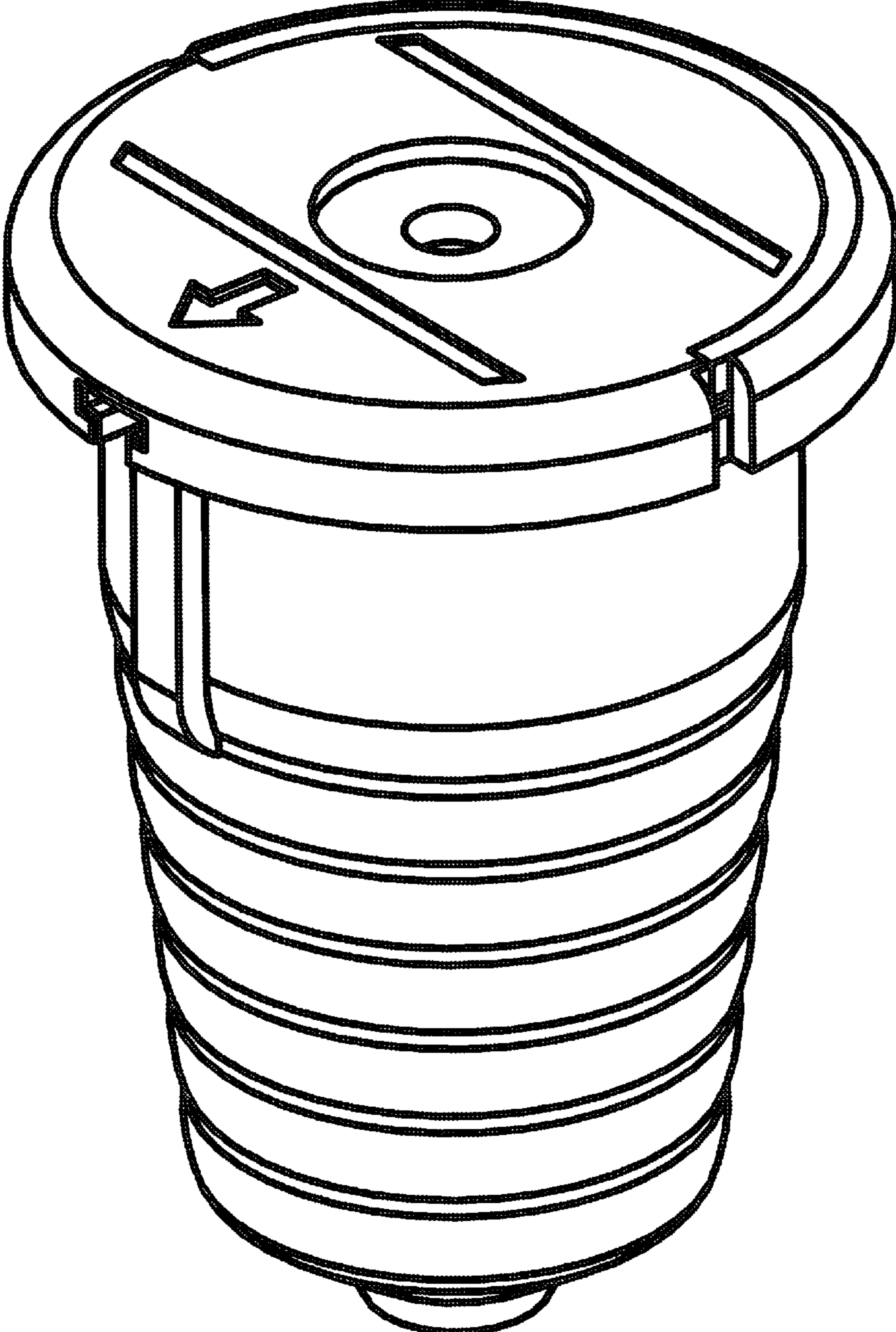


Figure 1

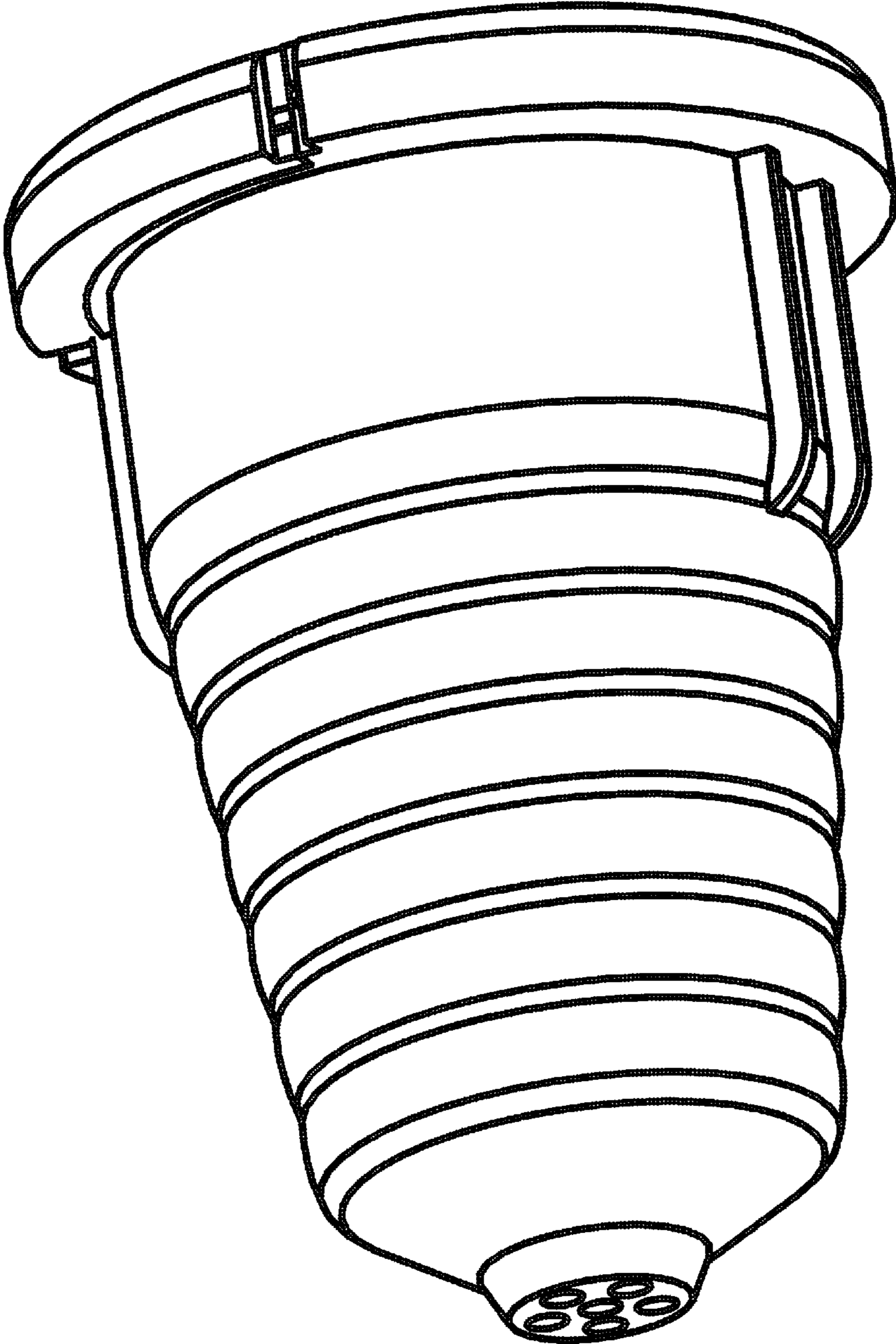


Figure 2

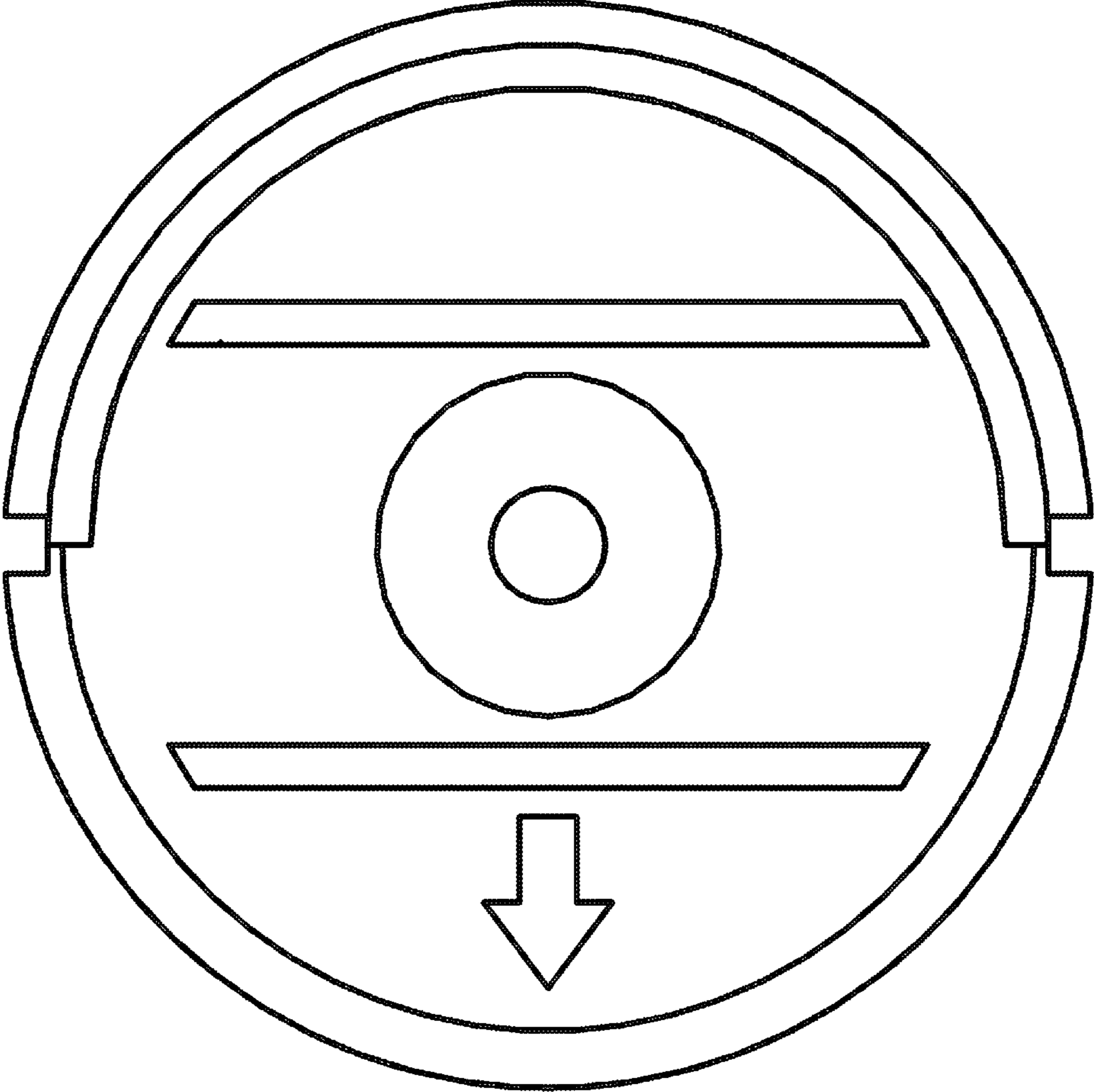


Figure 3

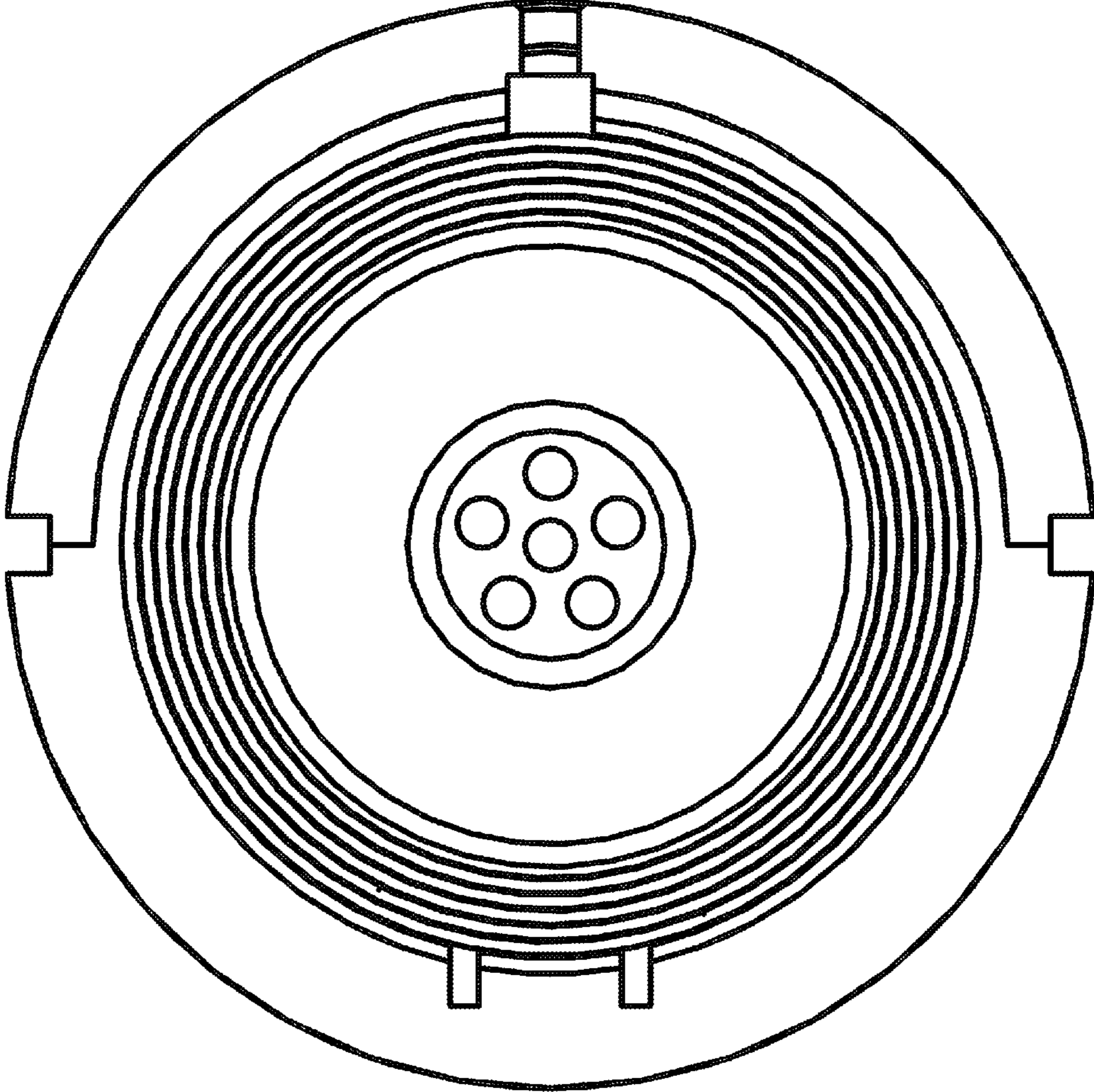


Figure 4

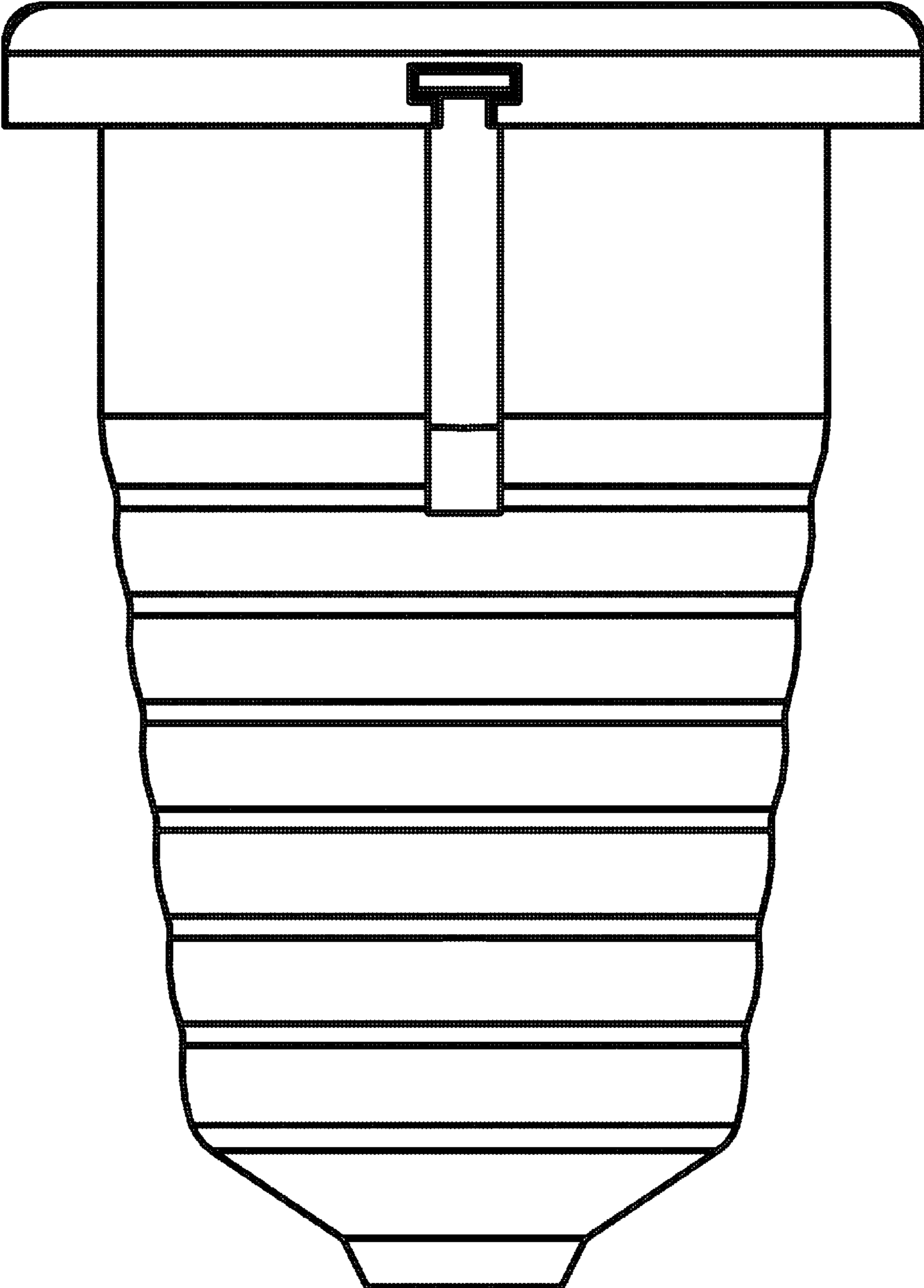


Figure 5

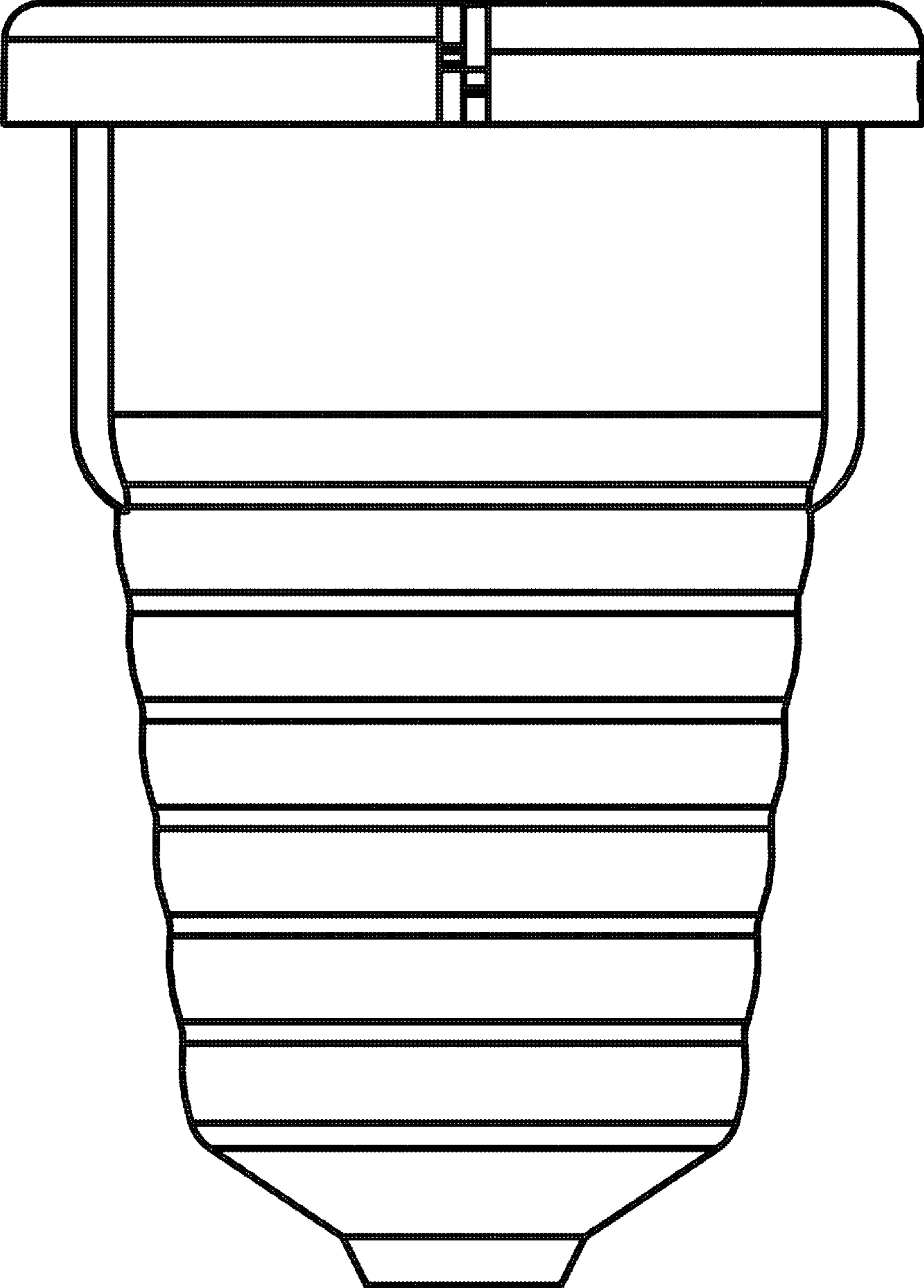


Figure 6

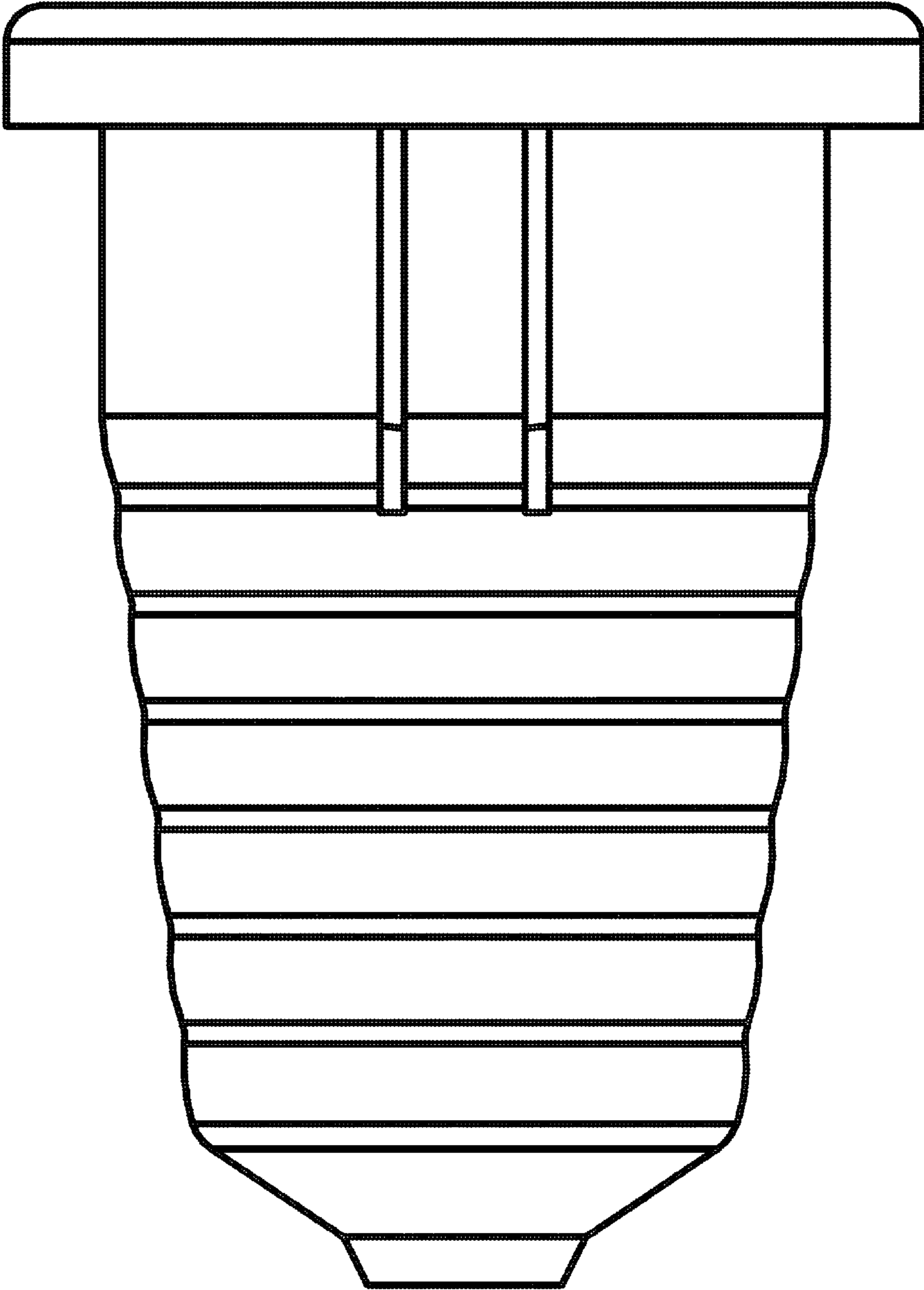


Figure 7