



US00D723328S

(12) **United States Design Patent**
Steel

(10) **Patent No.:** **US D723,328 S**

(45) **Date of Patent:** **** Mar. 3, 2015**

(54) **SHAKER MUG**

(71) Applicant: **Jeffrey Steel**, Hoboken, NJ (US)

(72) Inventor: **Jeffrey Steel**, Hoboken, NJ (US)

(73) Assignee: **Cotapaxi Custom Design and Manufacturing LLC**, Carlstadt, NJ (US)

(**) Term: **14 Years**

(21) Appl. No.: **29/481,176**

(22) Filed: **Feb. 3, 2014**

(51) **LOC (10) Cl.** **07-01**

(52) **U.S. Cl.**
USPC **D7/396.2**

(58) **Field of Classification Search**
USPC D7/396.2, 507, 509, 510, 511;
D9/434-455, 524, 682, 685, 694;
215/200, 235, 236, 252, 254, 329,
215/355-364; 220/203.04-203.07, 220,
220/254.1, 254.4, 556, 703, 704, 705;
D6/542-545

See application file for complete search history.

(56) **References Cited**

U.S. PATENT DOCUMENTS

D233,116 S * 10/1974 Swett D7/300.1
D510,235 S * 10/2005 Sorensen D7/510

D513,916 S * 1/2006 Namee D7/300.1
D644,065 S * 8/2011 Llerena D7/510
D646,919 S * 10/2011 Nilsson D7/300.1
D666,047 S * 8/2012 Lin D7/300.1
D677,121 S * 3/2013 Meyers et al. D7/510
D687,661 S * 8/2013 Cetera et al. D7/300.1
D692,276 S * 10/2013 Cetera et al. D7/510
D699,996 S * 2/2014 De Leo D7/300.1
8,672,164 B2 * 3/2014 Honeyghan 220/254.3
D702,503 S * 4/2014 Steel et al. D7/510
8,844,746 B2 * 9/2014 Meyers et al. 220/264

* cited by examiner

Primary Examiner — Robert M Spear

Assistant Examiner — Marissa J Cash

(74) *Attorney, Agent, or Firm* — Steven E. Shapiro

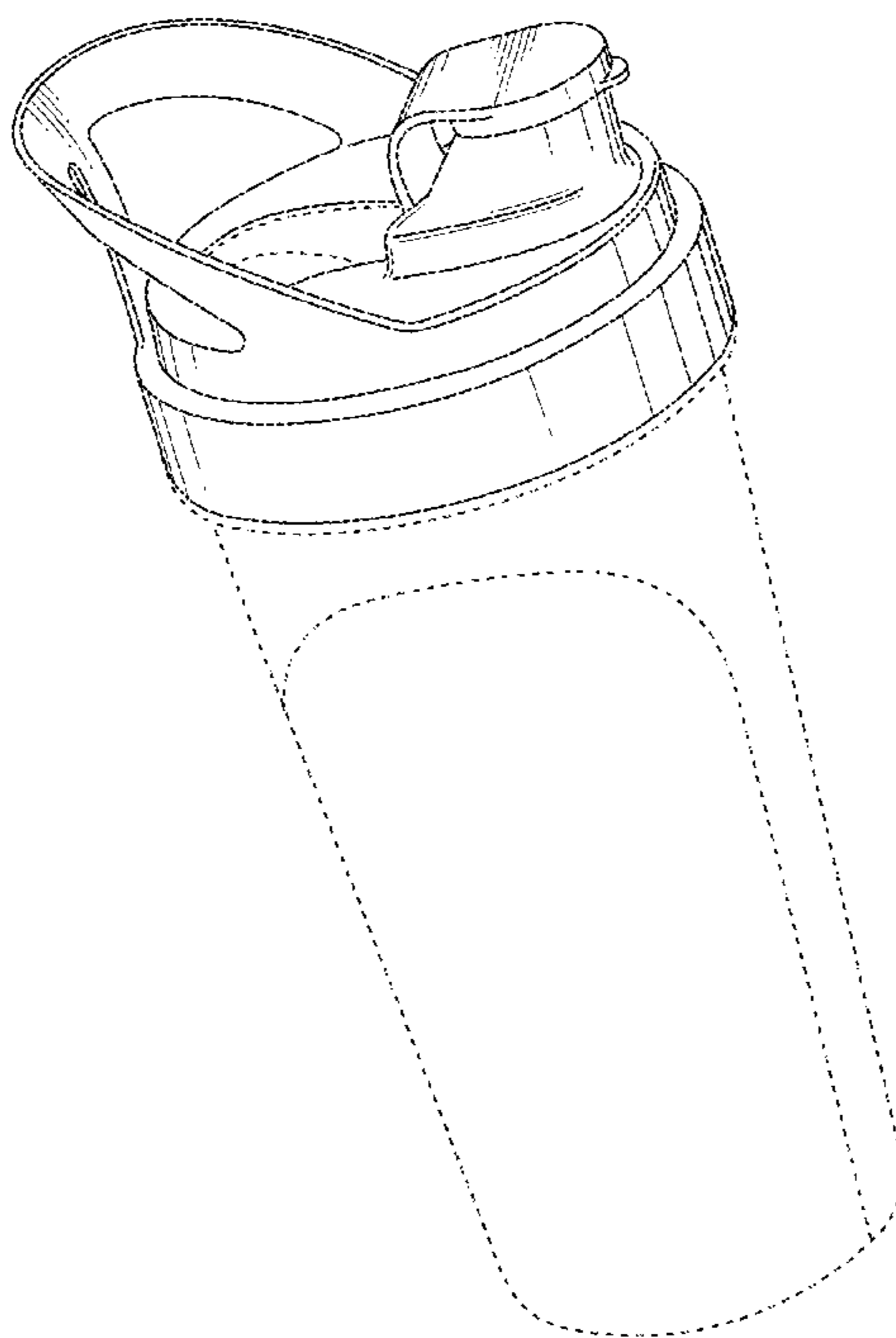
(57) **CLAIM**

The ornamental design for a shaker mug, as shown and described.

DESCRIPTION

FIG. 1 is a top perspective view of a shaker mug;
FIG. 2 is a right side view of the shaker mug;
FIG. 3 is a left side view of the shaker mug;
FIG. 4 is a front view of the shaker mug;
FIG. 5 is a rear view of the shaker mug;
FIG. 6 is a top view of the shaker mug; and,
FIG. 7 is a bottom view of the shaker mug.
The broken lines shown in the drawings represent portions of the shaker mug that form no part of the claimed design.

1 Claim, 6 Drawing Sheets



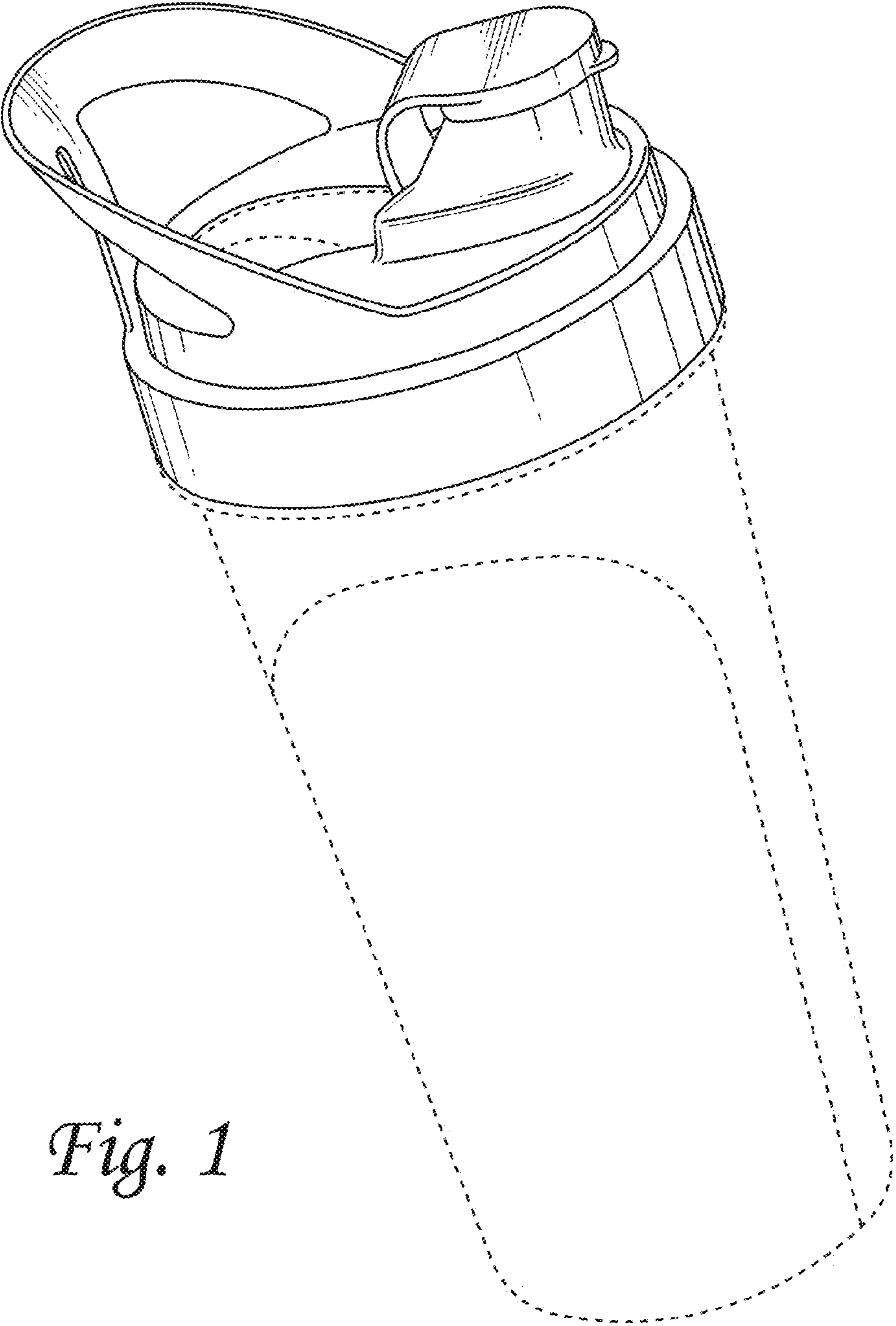


Fig. 1

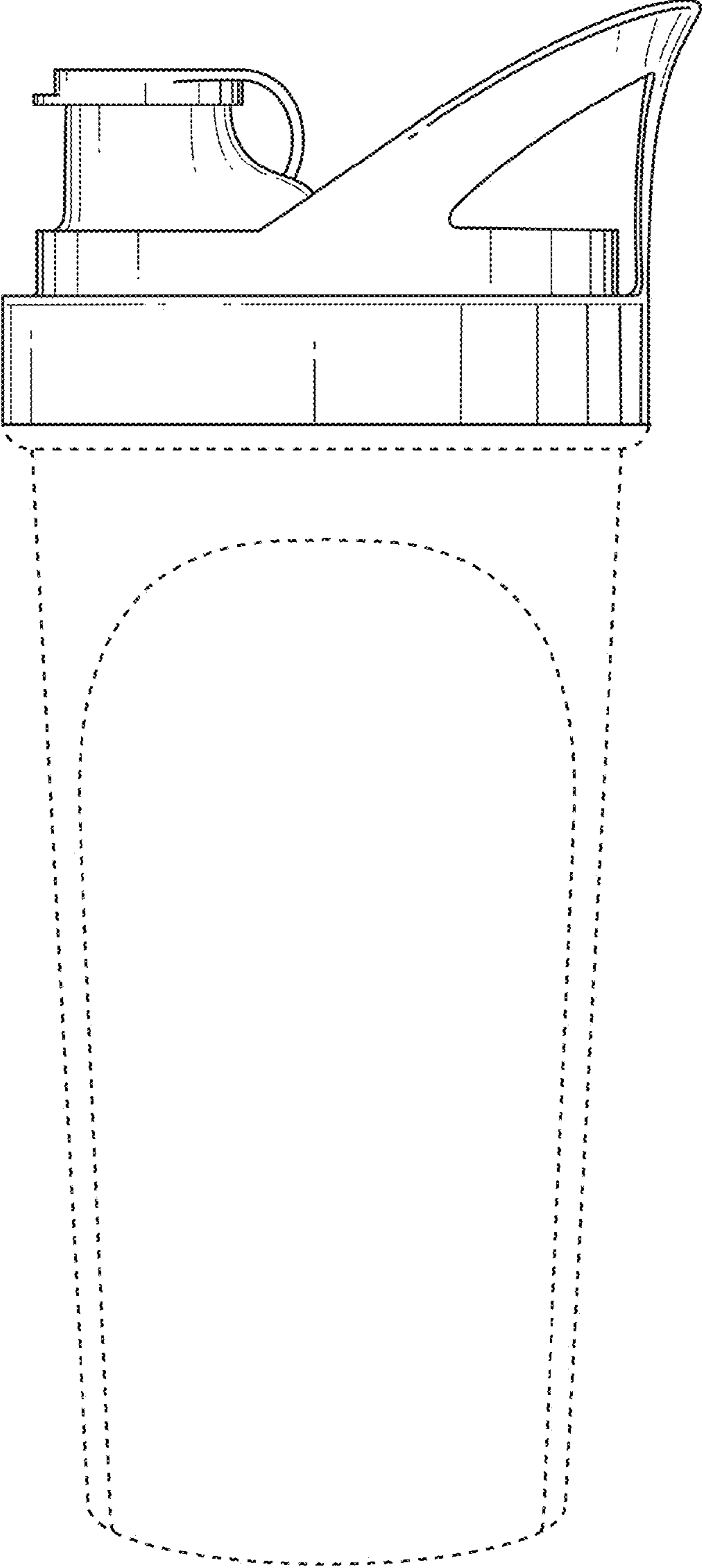


Fig. 2

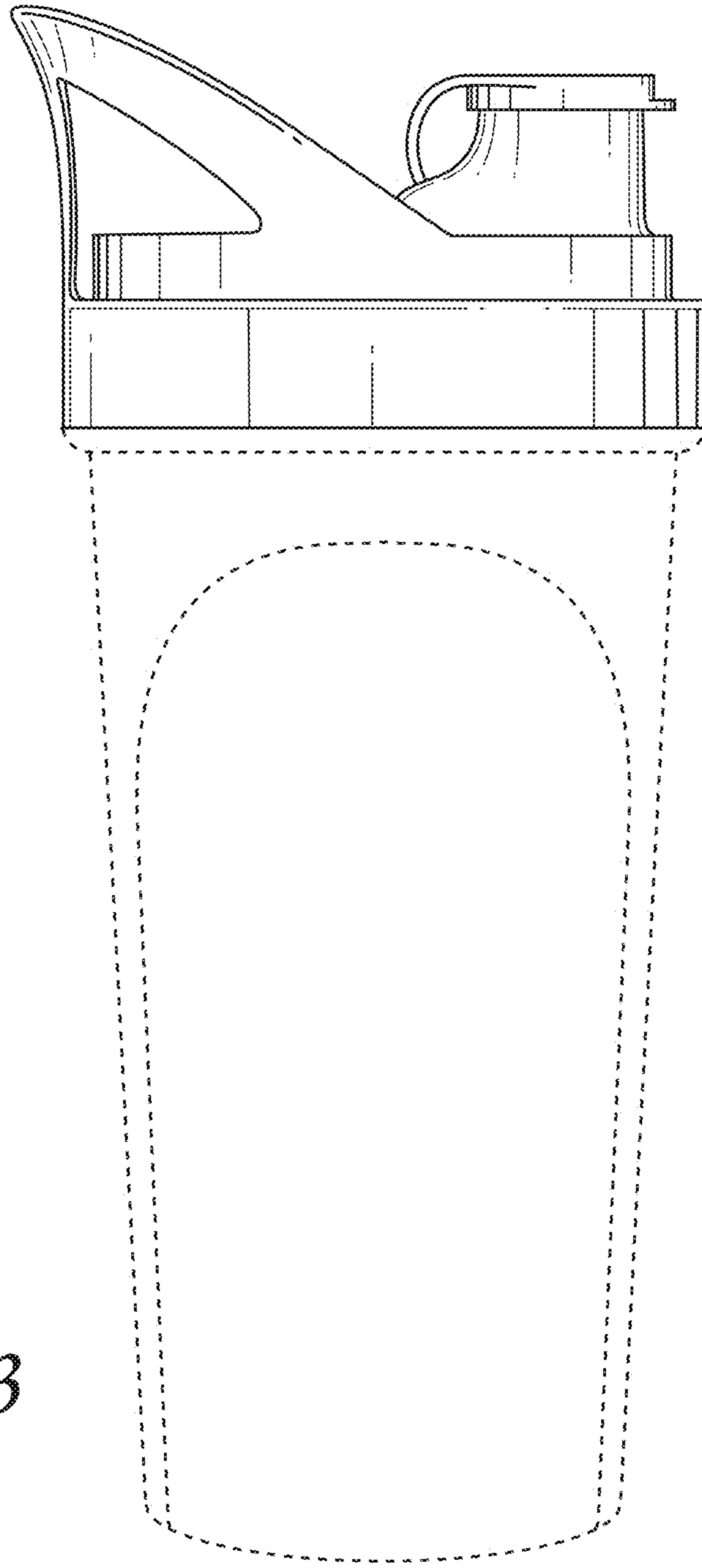


Fig. 3

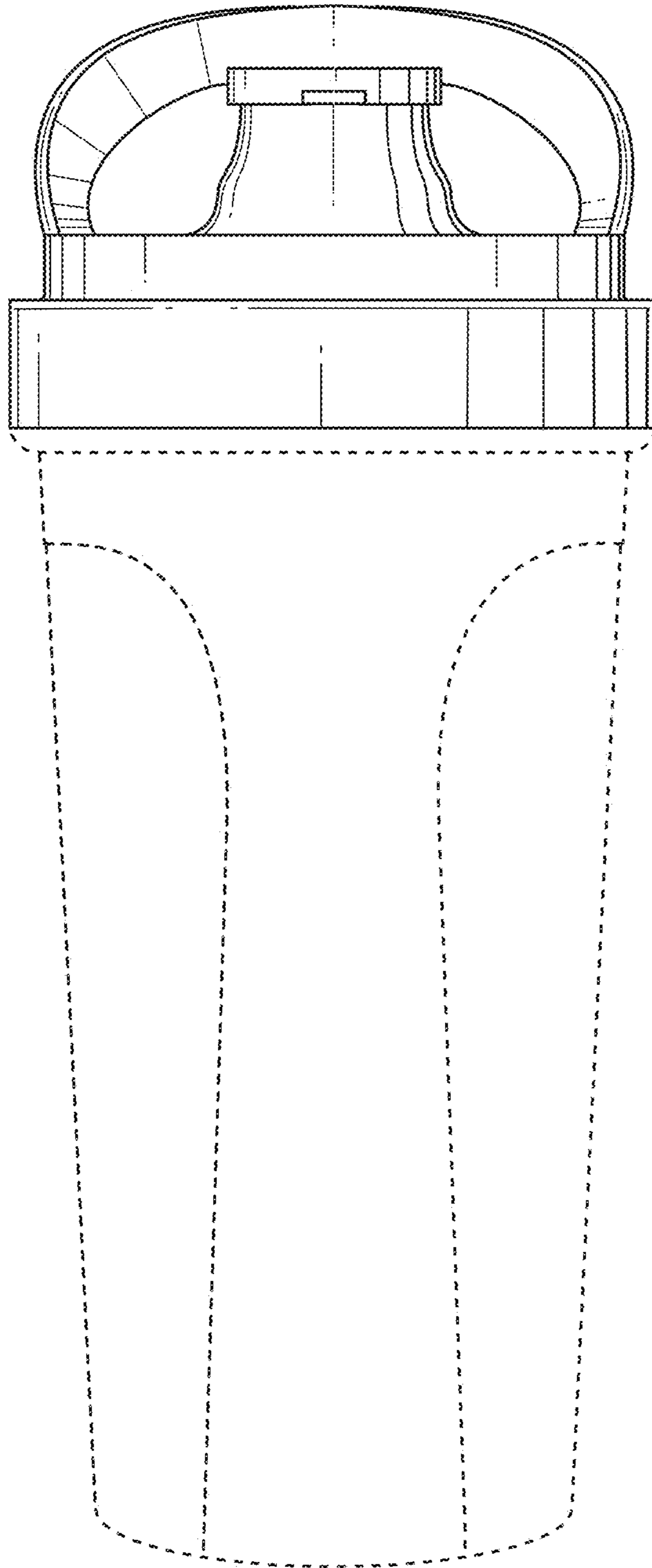


Fig. 4

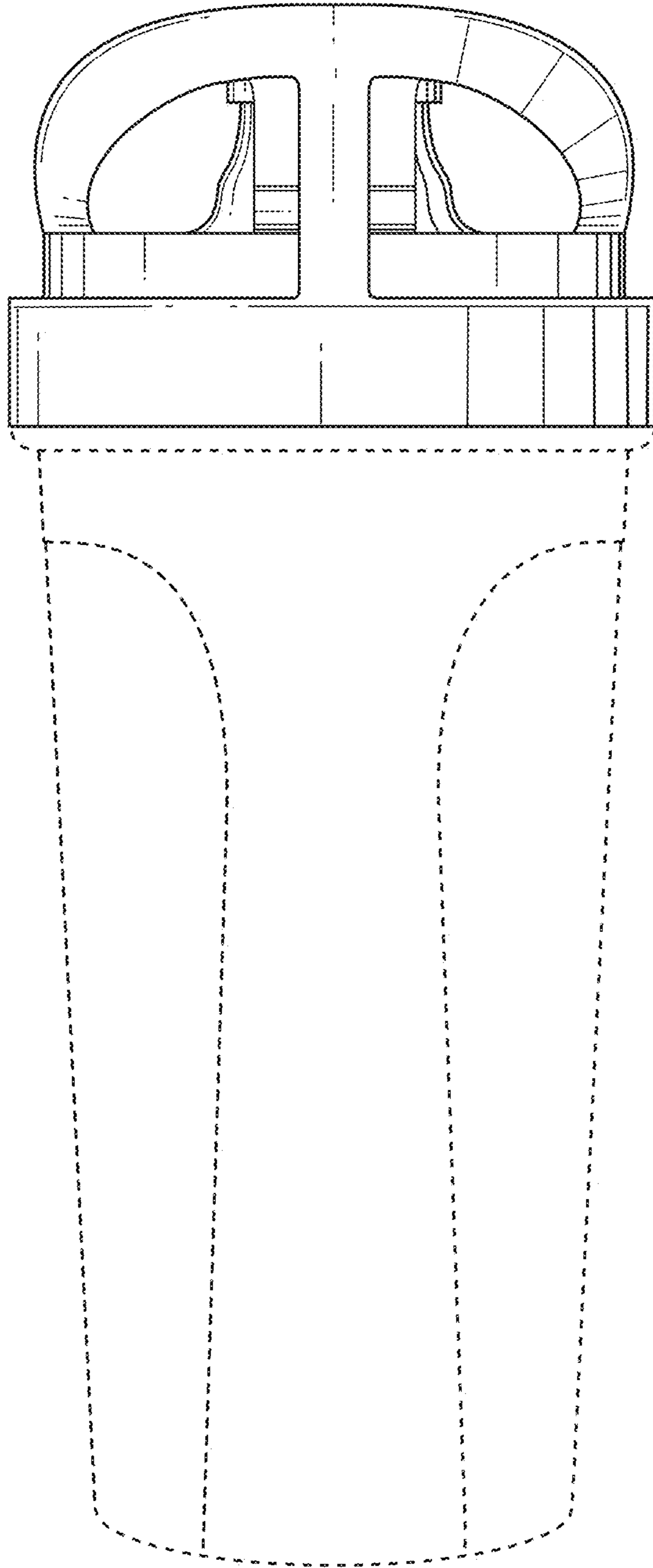


Fig. 5

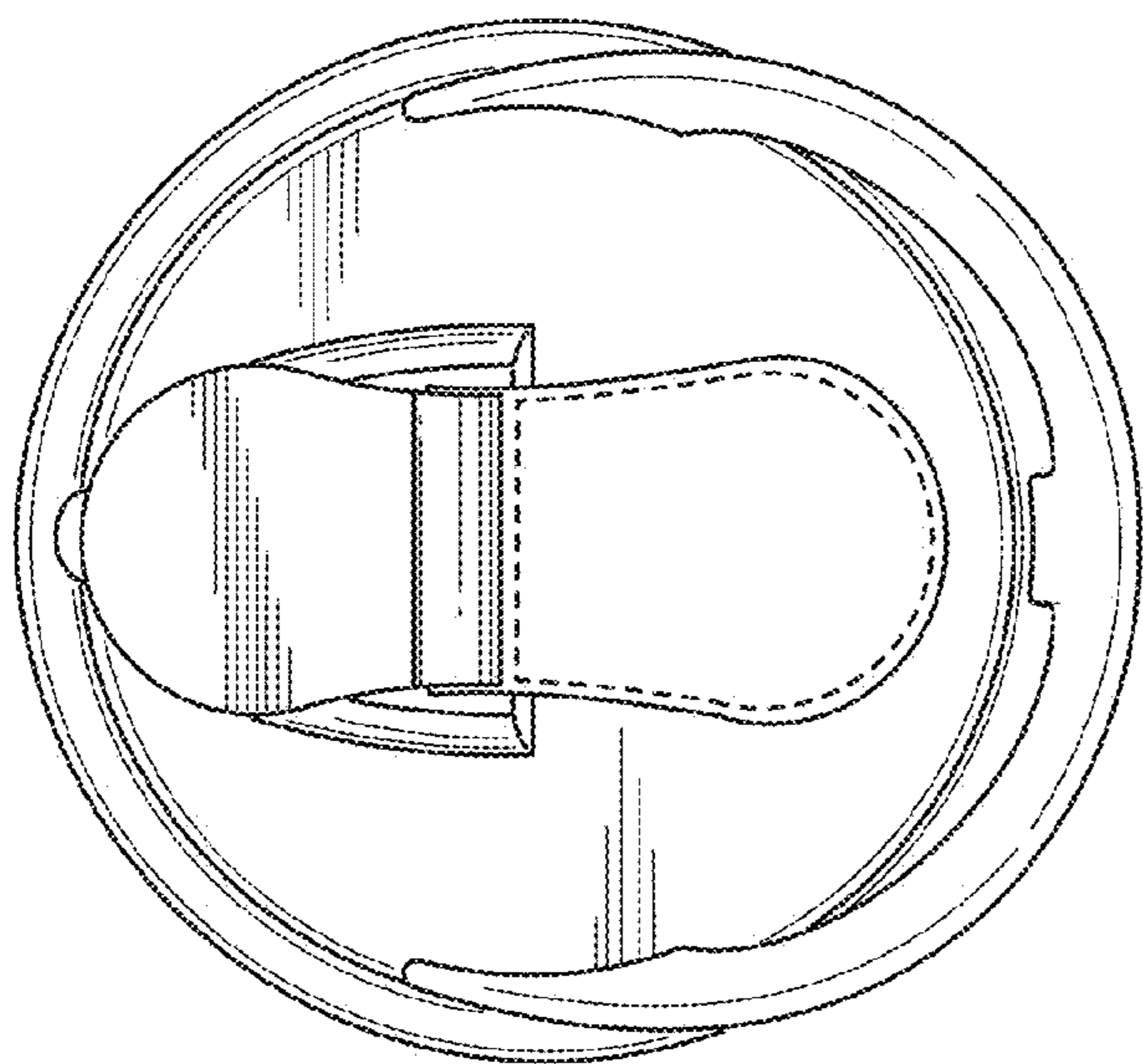


Fig. 6

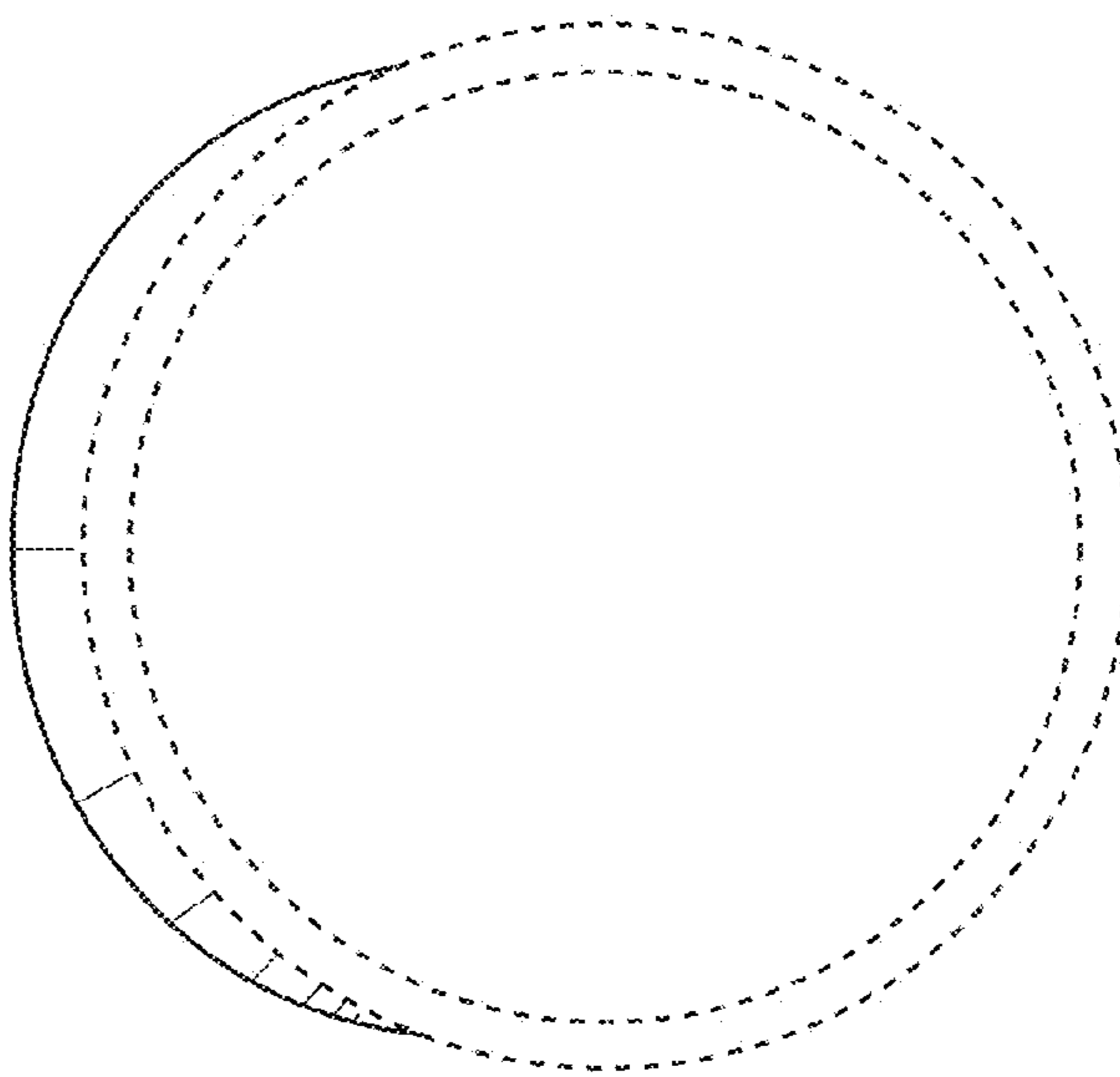


Fig. 7