



US00D723327S

(12) **United States Design Patent**
Morgan

(10) **Patent No.:** **US D723,327 S**
(45) **Date of Patent:** **** Mar. 3, 2015**

- (54) **DISPOSABLE PAPER TOWEL DISH COVER**
- (71) Applicant: **Shirley Y. Morgan**, Richmond, VA (US)
- (72) Inventor: **Shirley Y. Morgan**, Richmond, VA (US)
- (**) Term: **14 Years**
- (21) Appl. No.: **29/421,839**
- (22) Filed: **Nov. 14, 2012**
- (51) **LOC (10) Cl.** **07-02**
- (52) **U.S. Cl.**
USPC **D7/392.1**
- (58) **Field of Classification Search**
CPC A47G 19/265; A47J 36/06
USPC D7/391, 392.1, 392, 396, 625; D9/452;
150/154; 215/392, 100; 220/903, 739
See application file for complete search history.

(56) **References Cited**

U.S. PATENT DOCUMENTS

D189,018	S	*	10/1960	Xtazy	D2/868
D259,147	S	*	5/1981	Evans	D2/868
4,721,140	A	*	1/1988	Coker	150/154
D299,904	S	*	2/1989	Smith	D7/393
D375,596	S	*	11/1996	Laughlin	D32/71
6,351,852	B1	*	3/2002	Propp	2/174
D500,228	S	*	12/2004	Rossi	D7/400
D542,709	S	*	5/2007	Barker	D11/164
D551,495	S	*	9/2007	Orbach	D7/391
7,318,534	B2	*	1/2008	Turvey et al.	220/287
D568,018	S	*	4/2008	Bergman	D32/53
D592,381	S	*	5/2009	Knab	D2/869
D641,140	S	*	7/2011	Clarke	D2/867
D649,395	S	*	11/2011	Gehring	D7/391
D651,157	S	*	12/2011	Kassouni	D12/401
D657,730	S	*	4/2012	Kassouni	D12/401
2004/0217113	A1	*	11/2004	Dancu	219/735
2005/0077764	A1	*	4/2005	Nazginov	297/228
2006/0207712	A1	*	9/2006	Toussant et al.	156/69
2007/0017613	A1	*	1/2007	Hernandez	150/154

2007/0266493	A1	*	11/2007	Jimenez	4/661
2009/0014107	A1	*	1/2009	Martin et al.	152/185
2009/0151046	A1	*	6/2009	Donovan	2/174
2009/0183807	A1	*	7/2009	Sadlier	150/154
2010/0200130	A1	*	8/2010	Wilson	150/154
2010/0320260	A1	*	12/2010	Moghaddam et al.	229/87.08
2013/0068759	A1	*	3/2013	Mirea et al.	219/734

OTHER PUBLICATIONS

- “Axis 795 Cover Fresh Food Covers.” Amazon.com. Web. Sep. 11, 2011.*
- “Covermate Stretch-to-Fit Food Covers.” Amazon.com. Web. Jun. 27, 2012.*
- “Set of 10 Reusable Elastic Bowl, Dish & Plate Covers.” Amazon.com. Web. Sep. 9, 2008.*
- “Storlt Cover-Ups Food Covers.” Amazon.com. Web. Aug. 22, 2008.*

* cited by examiner

Primary Examiner — George D Kirschbaum
Assistant Examiner — Kendra L Hamilton

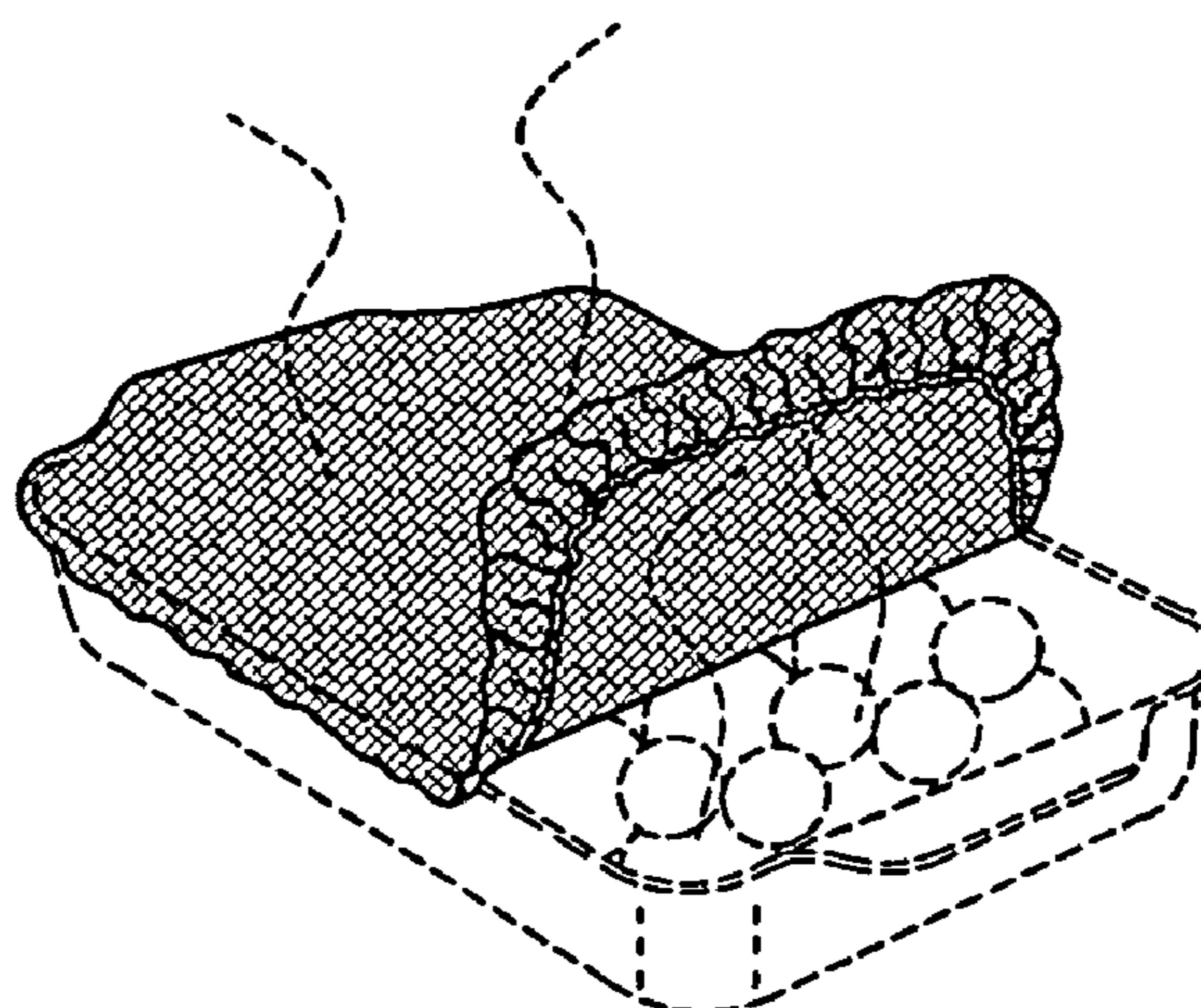
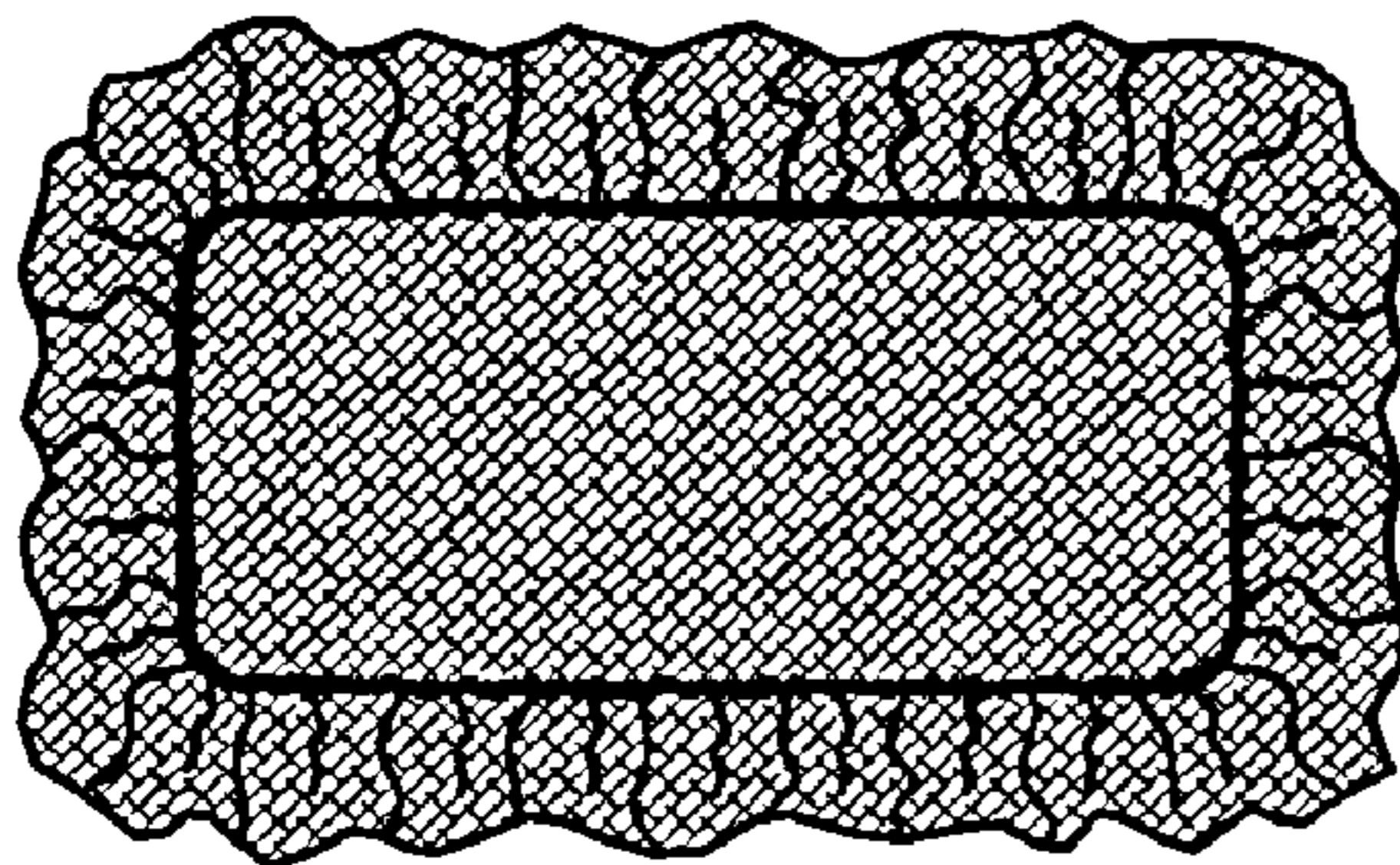
(57) **CLAIM**

The ornamental design for a disposable paper towel dish cover, as shown and described.

DESCRIPTION

FIG. 1 is a bottom plan view of a disposable paper towel dish cover, showing my new design;
 FIG. 2 is an isometric view thereof; and,
 FIG. 3 is a second isometric view showing my design in an alternate position thereof.
 The front view of the disposable paper towel dish cover is shown in the perspective view for a clearer specification, with the rear view being a mirror image.
 The broken line showing of a dish, dish contents and steam is included for the purpose of illustrating portions of the “article” and forms no part of the claimed design.

1 Claim, 1 Drawing Sheet



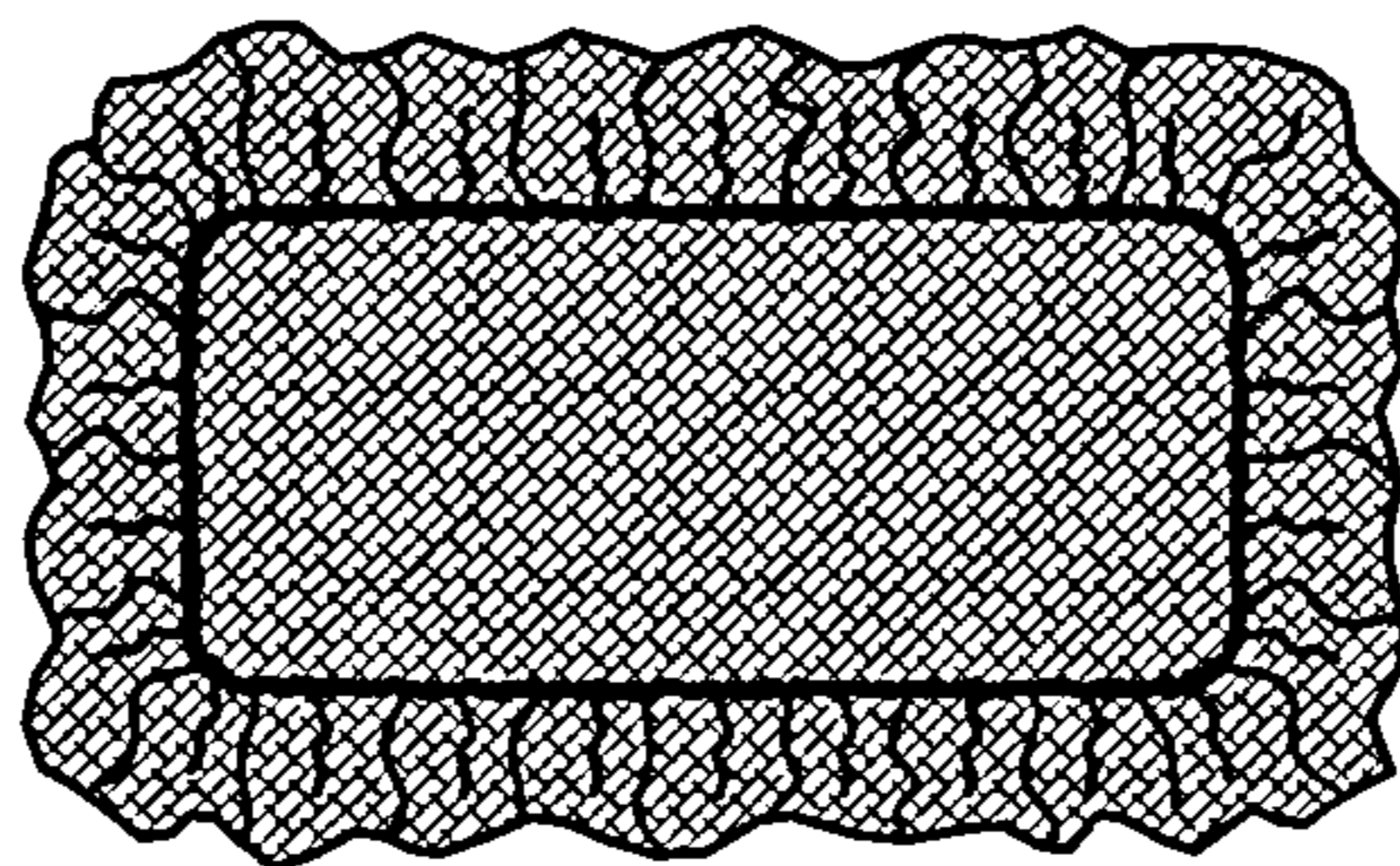


Fig. 1

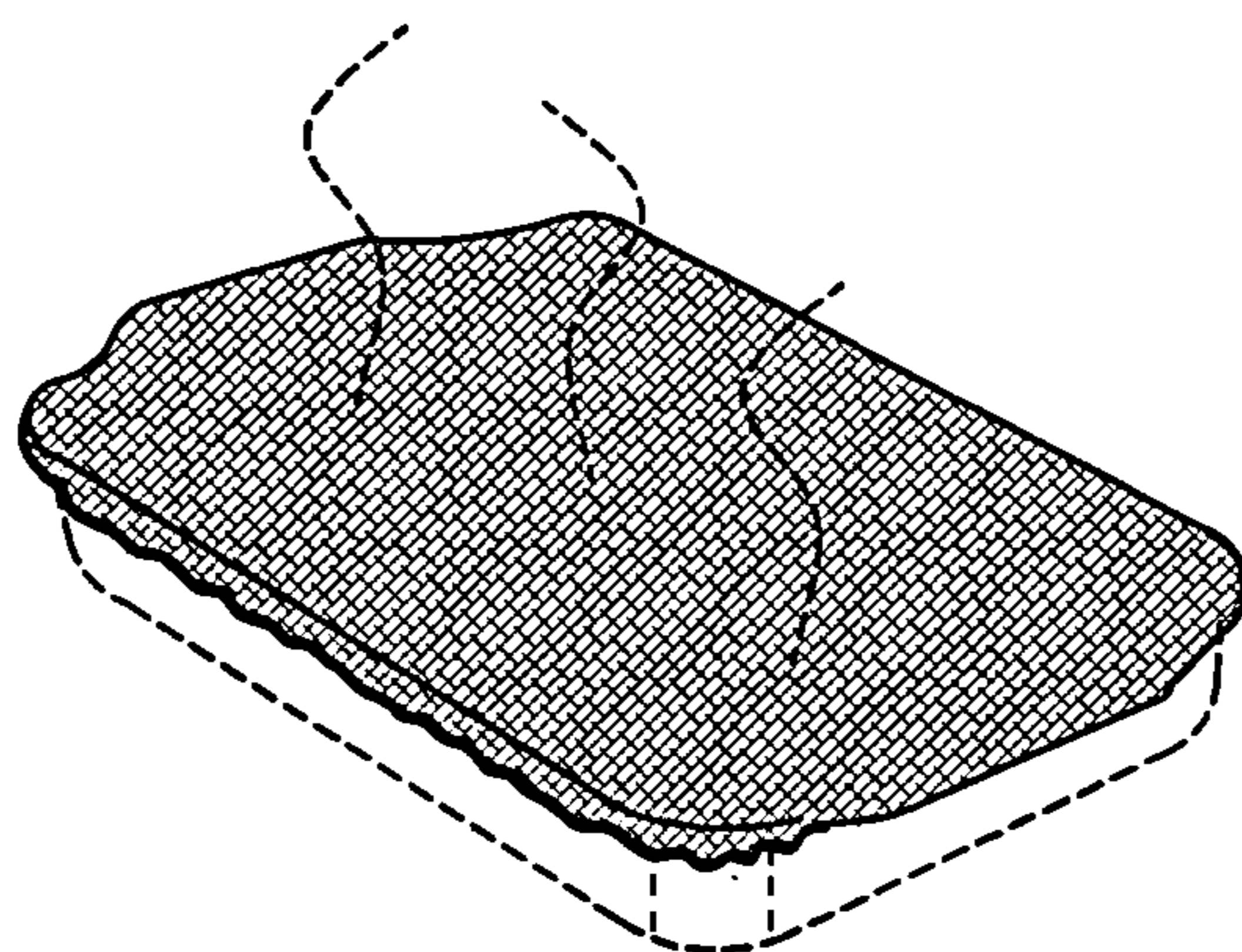


Fig. 2

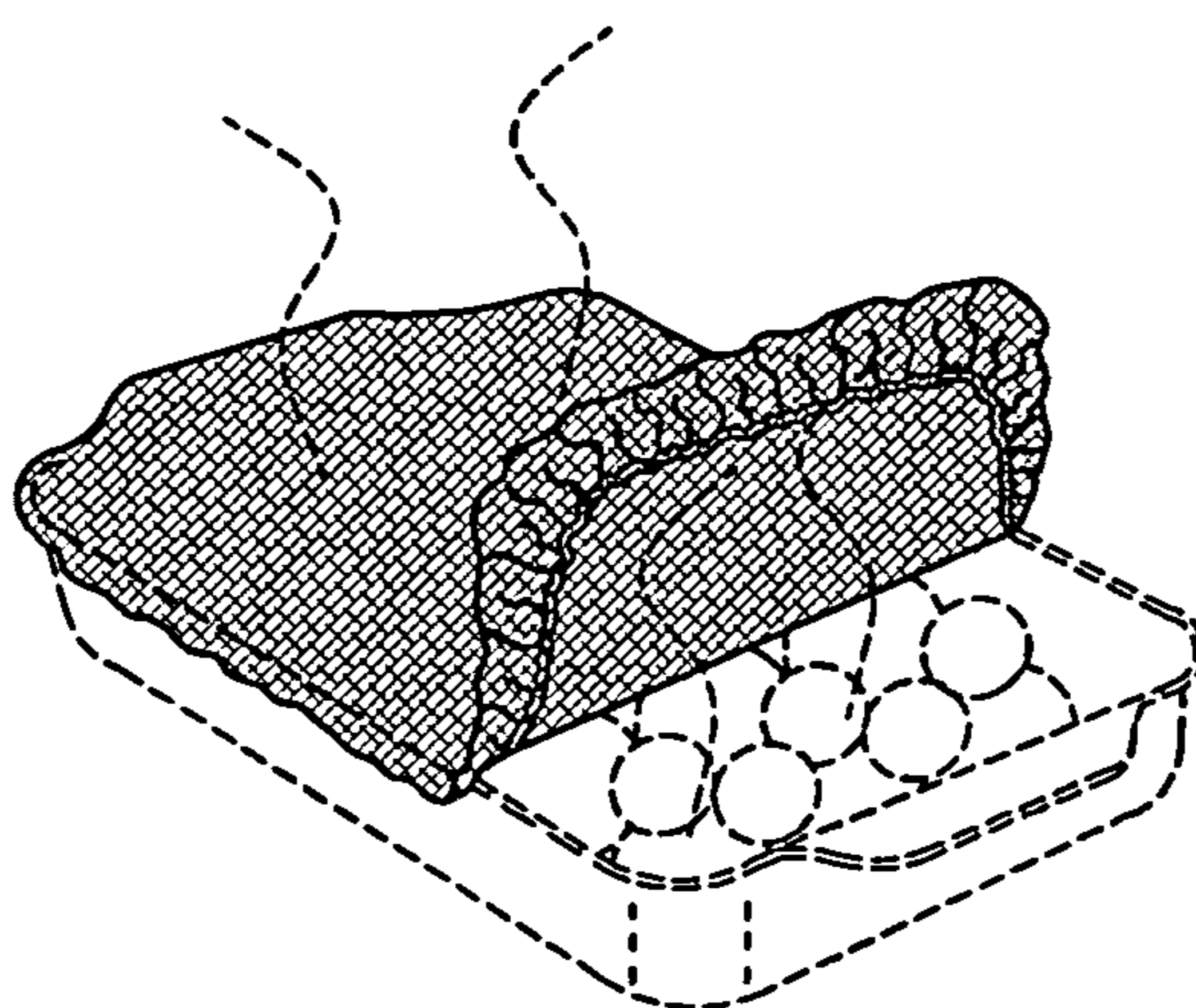


Fig. 3