



US00D723323S

(12) **United States Design Patent**
Carlson

(10) **Patent No.:** **US D723,323 S**
(45) **Date of Patent:** **** Mar. 3, 2015**

- (54) **OVEN**
- (71) Applicant: **Hamilton Beach Brands, Inc.**, Glen Allen, VA (US)
- (72) Inventor: **Drew Carlson**, Henrico, VA (US)
- (73) Assignee: **Hamilton Beach Brands, Inc.**, Glen Allen, VA (US)
- (**) Term: **14 Years**
- (21) Appl. No.: **29/482,723**
- (22) Filed: **Feb. 21, 2014**
- (51) **LOC (10) Cl.** **07-02**
- (52) **U.S. Cl.**
USPC **D7/350.1**
- (58) **Field of Classification Search**
USPC D7/350.1–350.4, 351, 402, 405, 406;
126/19 R, 19 M, 41 R; 219/391, 725,
219/756–758; 99/DIG. 14
See application file for complete search history.

3,979,573 A	9/1976	Burns et al.	
3,980,856 A	9/1976	Allen et al.	
4,189,632 A	2/1980	Swanson et al.	
4,302,660 A	11/1981	Swanson et al.	
D381,861 S *	8/1997	Rorke et al.	D7/350.4
D415,926 S *	11/1999	De'Longhi	D7/350.4
D439,467 S *	3/2001	Hsu	D7/350.4
6,199,548 B1	3/2001	Hsu	
D451,333 S *	12/2001	Hsu	D7/350.4
D461,091 S *	8/2002	Chen	D7/350.4
D466,757 S *	12/2002	Hsu	D7/350.1
D479,943 S *	9/2003	Smith-Berry et al.	D7/350.4
D501,356 S *	2/2005	Averty	D7/350.4

* cited by examiner

Primary Examiner — Ruth McInroy

(74) *Attorney, Agent, or Firm* — Alexander D. Raring

(57) **CLAIM**

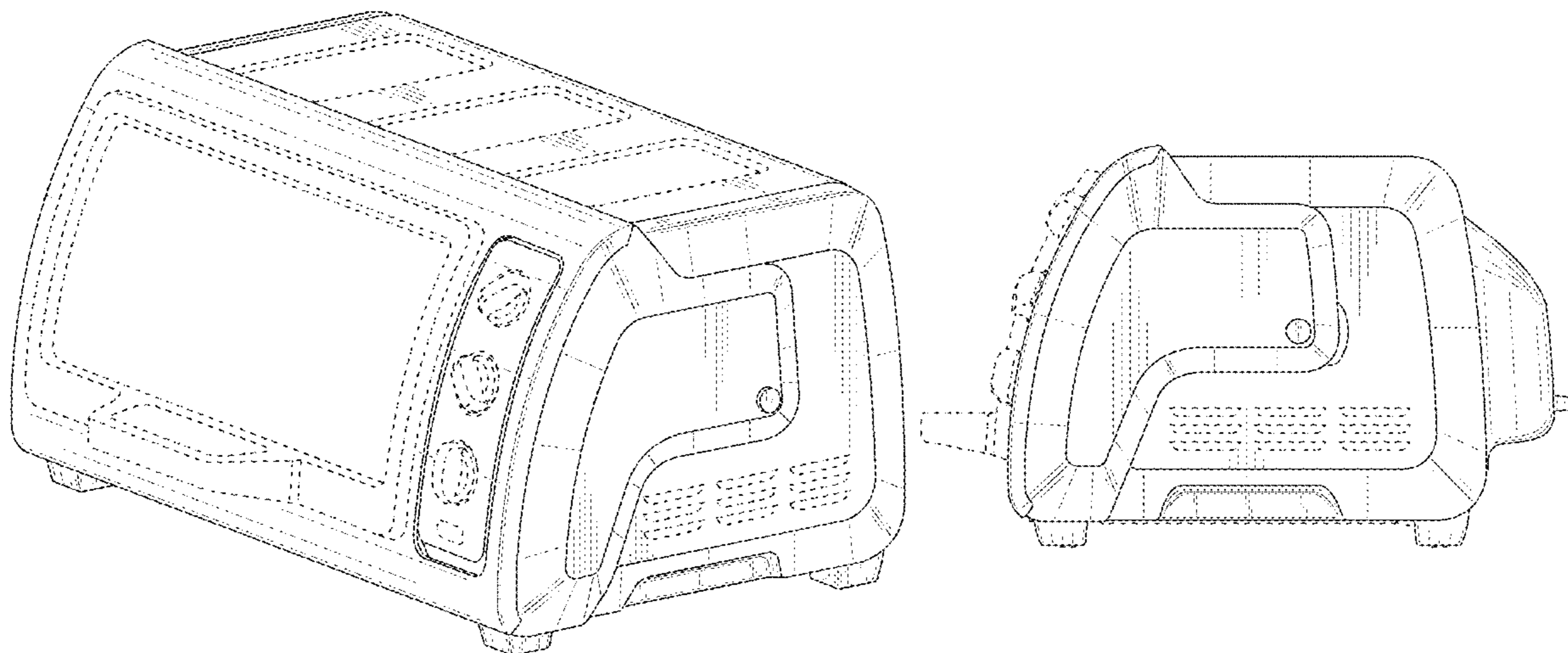
The ornamental design for an oven, as shown and described.

DESCRIPTION

FIG. 1 is a perspective view as seen from the top, front and right side of an oven showing the new design;
 FIG. 2 is a front view thereof;
 FIG. 3 is a rear view thereof;
 FIG. 4 is a right side view thereof;
 FIG. 5 is a left side view thereof;
 FIG. 6 is a top view thereof; and,
 FIG. 7 is a bottom view thereof.
 The broken lines in the drawings are included for illustrative purposes only and form no part of the claimed design.

1 Claim, 7 Drawing Sheets

- (56) **References Cited**
U.S. PATENT DOCUMENTS
- | | | |
|-------------|---------|----------------|
| 3,086,511 A | 4/1963 | Loch |
| 3,658,050 A | 4/1972 | Snyder |
| 3,660,637 A | 5/1972 | Grove |
| 3,752,955 A | 8/1973 | Grove |
| 3,756,219 A | 9/1973 | Snyder et al. |
| 3,845,272 A | 10/1974 | Schultz et al. |



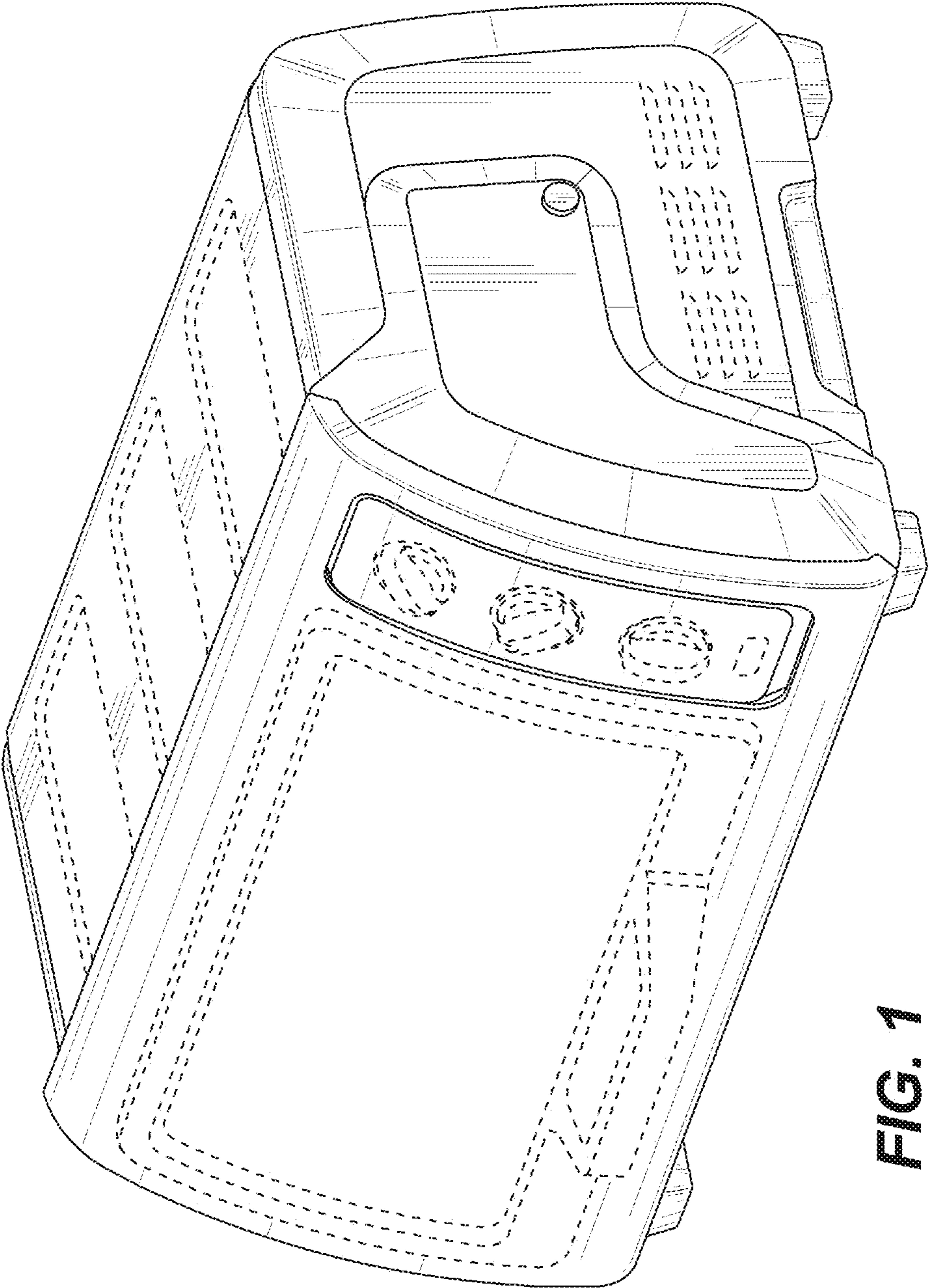


FIG. 1

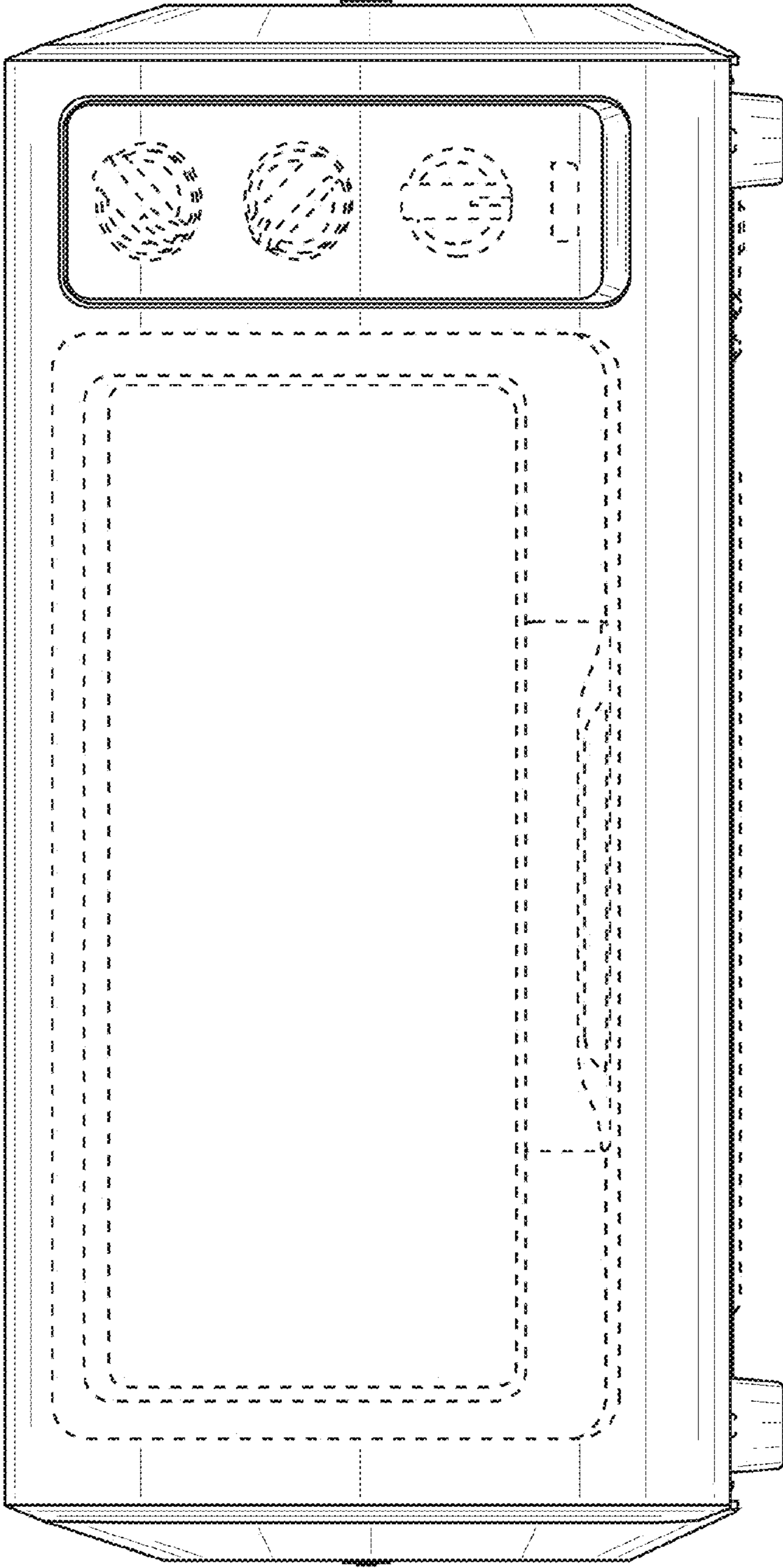


FIG. 2

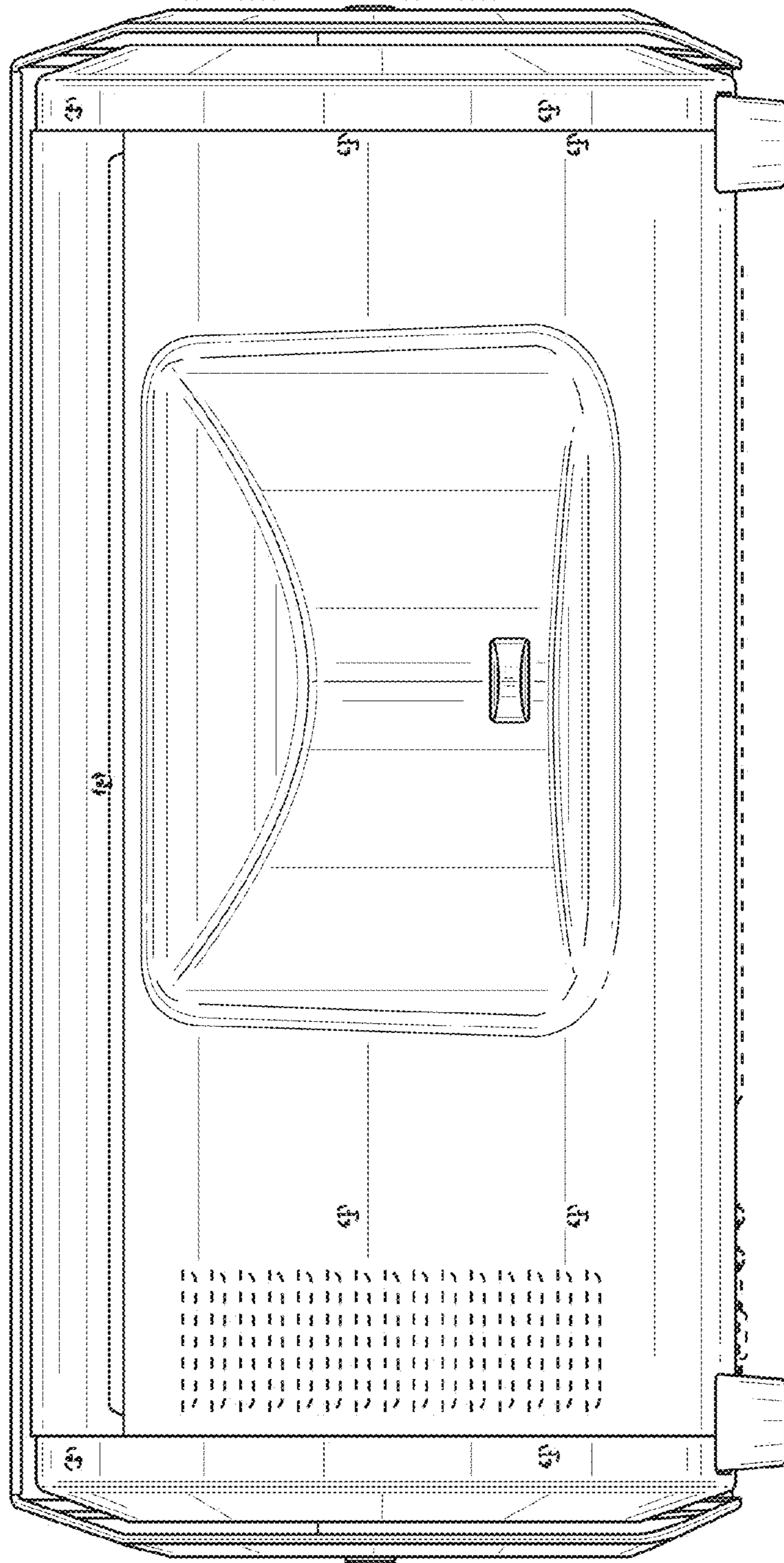


FIG. 3

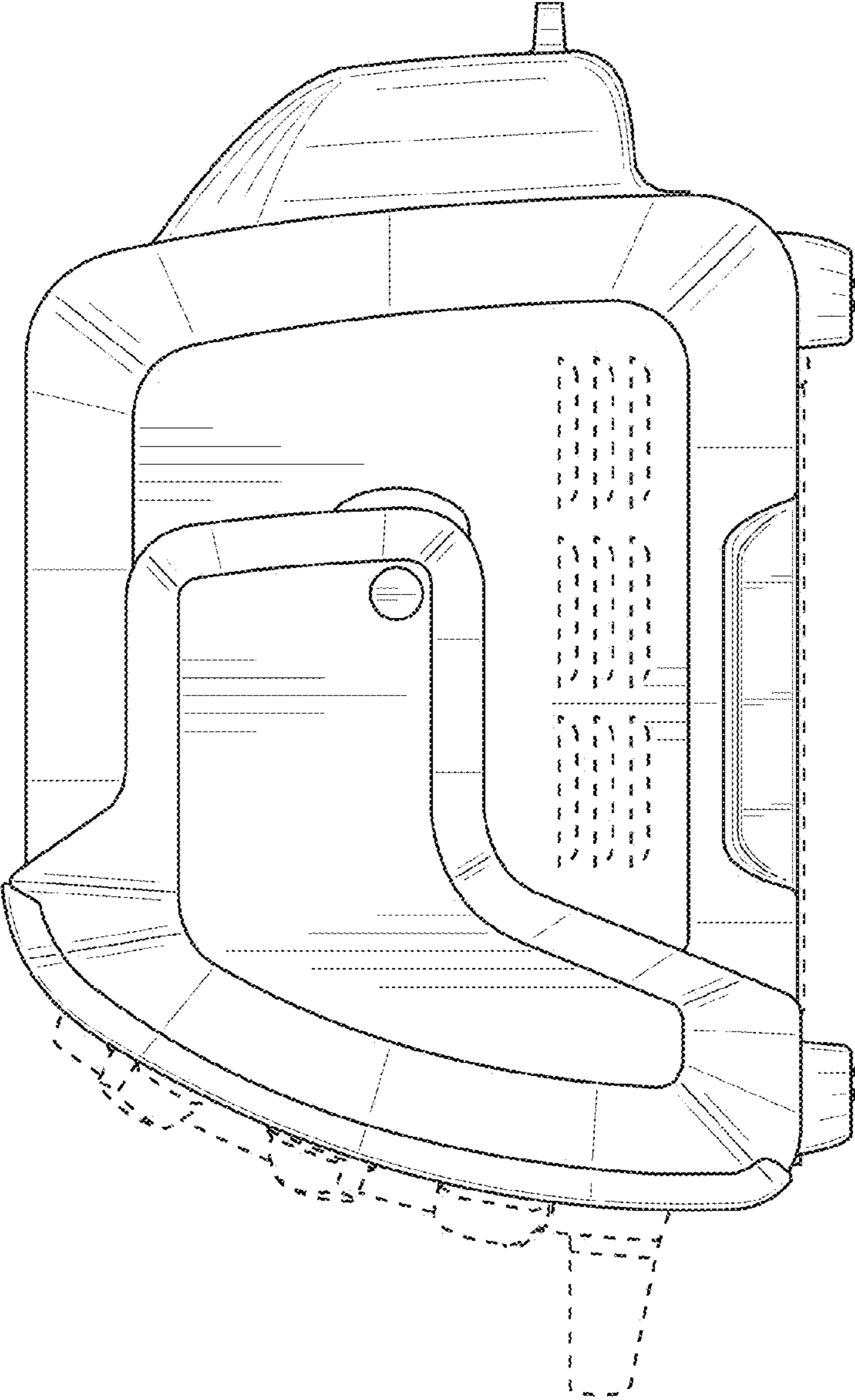


FIG. 4

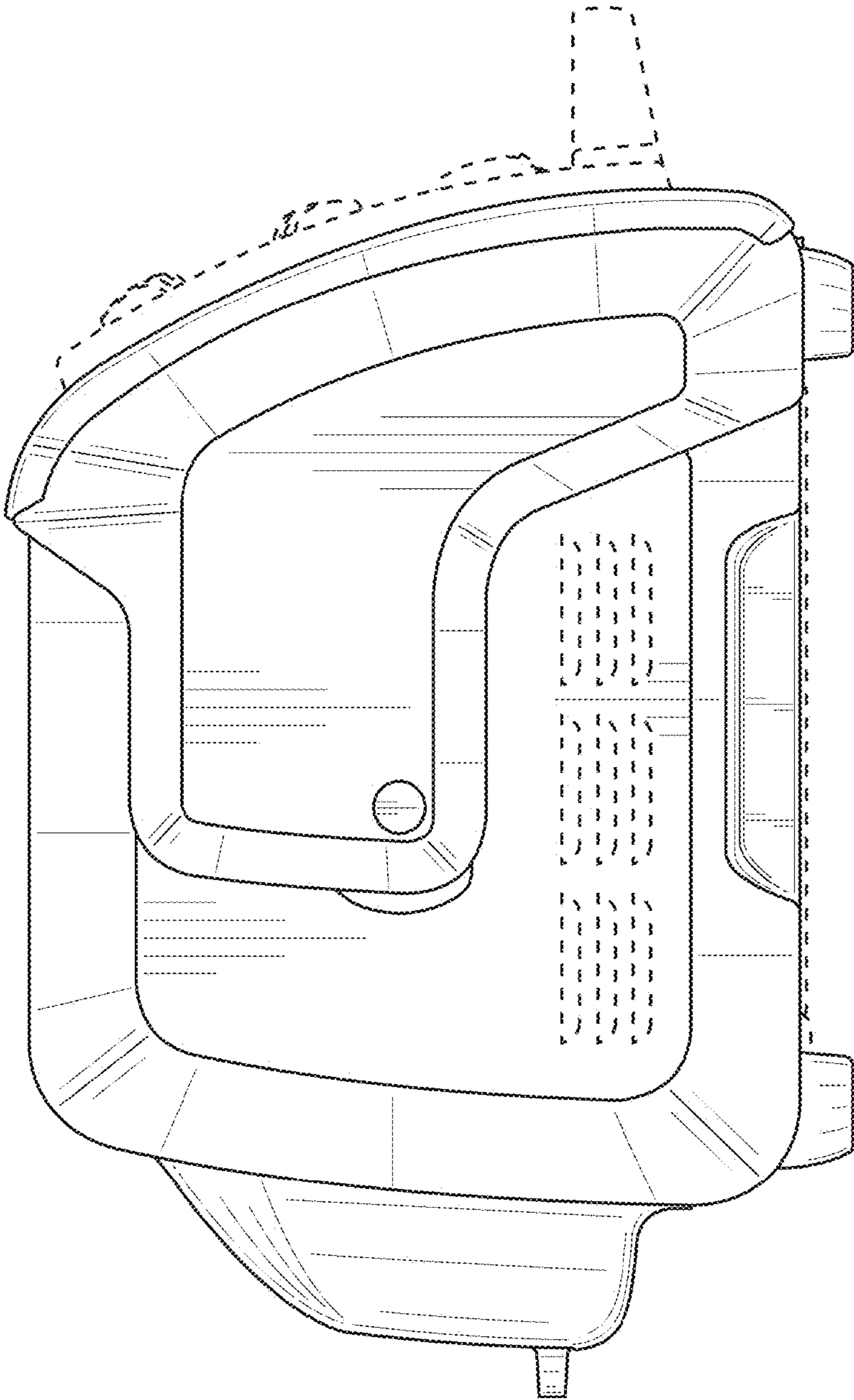


FIG. 5

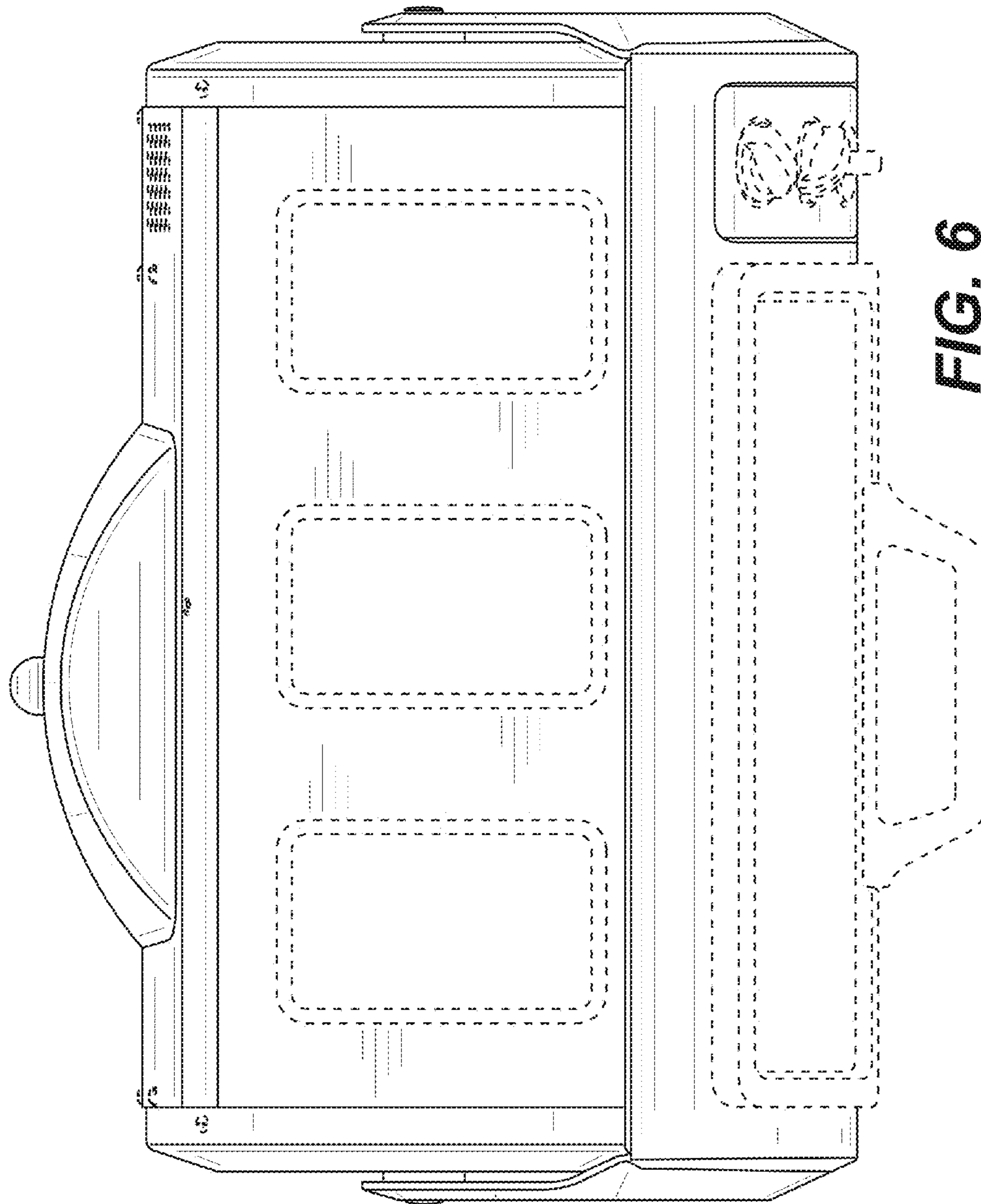


FIG. 6

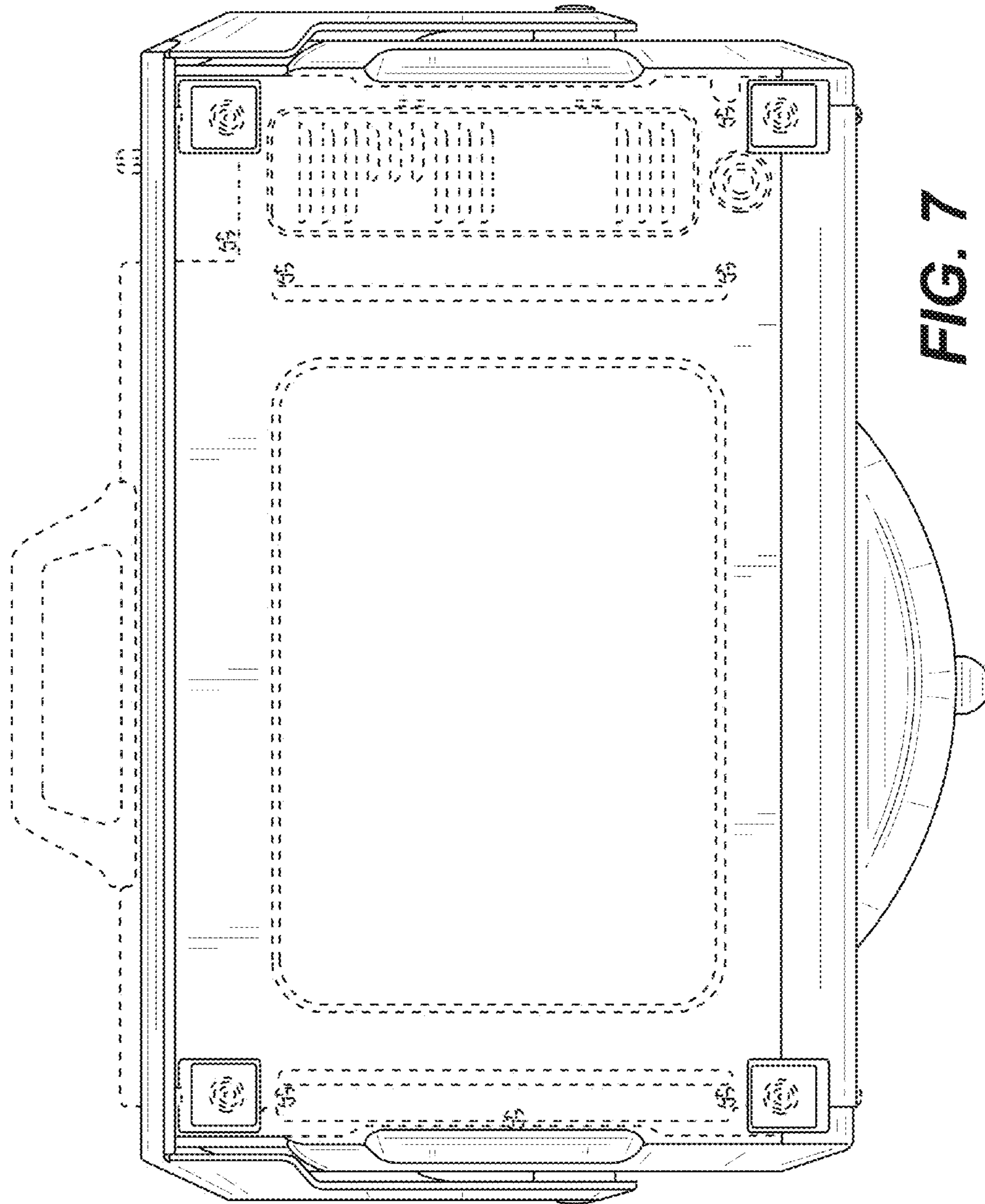


FIG. 7