



US00D723322S

(12) **United States Design Patent**
Strauch et al.

(10) **Patent No.:** **US D723,322 S**

(45) **Date of Patent:** **** Mar. 3, 2015**

(54) **BARBECUE GRILL**

(71) Applicant: **Charless Grilling Systems LLC**,
Wolcott, CO (US)

(72) Inventors: **Jan Eric Strauch**, Wolcott, CO (US);
Steve Meosky, Austin, TX (US); **Matt Storey**, Austin, TX (US)

(73) Assignee: **Charless Grilling Systems LLC**,
Wolcott, CO (US)

(**) Term: **14 Years**

(21) Appl. No.: **29/475,648**

(22) Filed: **Dec. 5, 2013**

(51) **LOC (10) Cl.** **07-02**

(52) **U.S. Cl.**
USPC **D7/334**

(58) **Field of Classification Search**
USPC D7/332, 334-337, 402-405, 362, 367;
99/481-482, 449, 340; 431/206;
126/19 M, 19 R, 39 R, 39 H, 39 B, 25 R,
126/43, 41 R, 9 R, 38, 37 R, 40, 50
See application file for complete search history.

(56) **References Cited**

U.S. PATENT DOCUMENTS

| | | | | | |
|------------|---|---------|-----------------|-------|--------|
| D533,010 S | * | 12/2006 | Pai | | D7/334 |
| D560,416 S | * | 1/2008 | Sedberry et al. | | D7/334 |
| D560,419 S | * | 1/2008 | Lockhart et al. | | D7/334 |
| D571,602 S | * | 6/2008 | Chung | | D7/334 |
| D662,347 S | * | 6/2012 | May et al. | | D7/334 |

| | | | | | |
|-----------------|---|---------|--------------|-------|----------|
| D679,126 S | * | 4/2013 | Davis et al. | | D7/334 |
| D693,624 S | * | 11/2013 | Chung | | D7/334 |
| 2007/0175467 A1 | * | 8/2007 | Liu | | 126/25 R |

* cited by examiner

Primary Examiner — Ruth McInroy

(74) *Attorney, Agent, or Firm* — Kyle W. Rost

(57) **CLAIM**

We claim the ornamental design for a barbecue grill, as shown and described.

DESCRIPTION

FIG. 1 an isometric view taken from the front upper right, showing my new design for a first embodiment of a barbecue grill.

FIG. 2 is a front elevational view thereof.

FIG. 3 is a top plan view thereof.

FIG. 4 is a right side elevational view thereof.

FIG. 5 is a left side elevational view thereof.

FIG. 6 is a bottom view thereof.

FIG. 7 is a rear elevational view thereof.

FIG. 8 an isometric view taken from the front upper right, showing my new design for a second embodiment of the barbecue grill.

FIG. 9 is a front elevational view thereof.

FIG. 10 is a top plan view thereof.

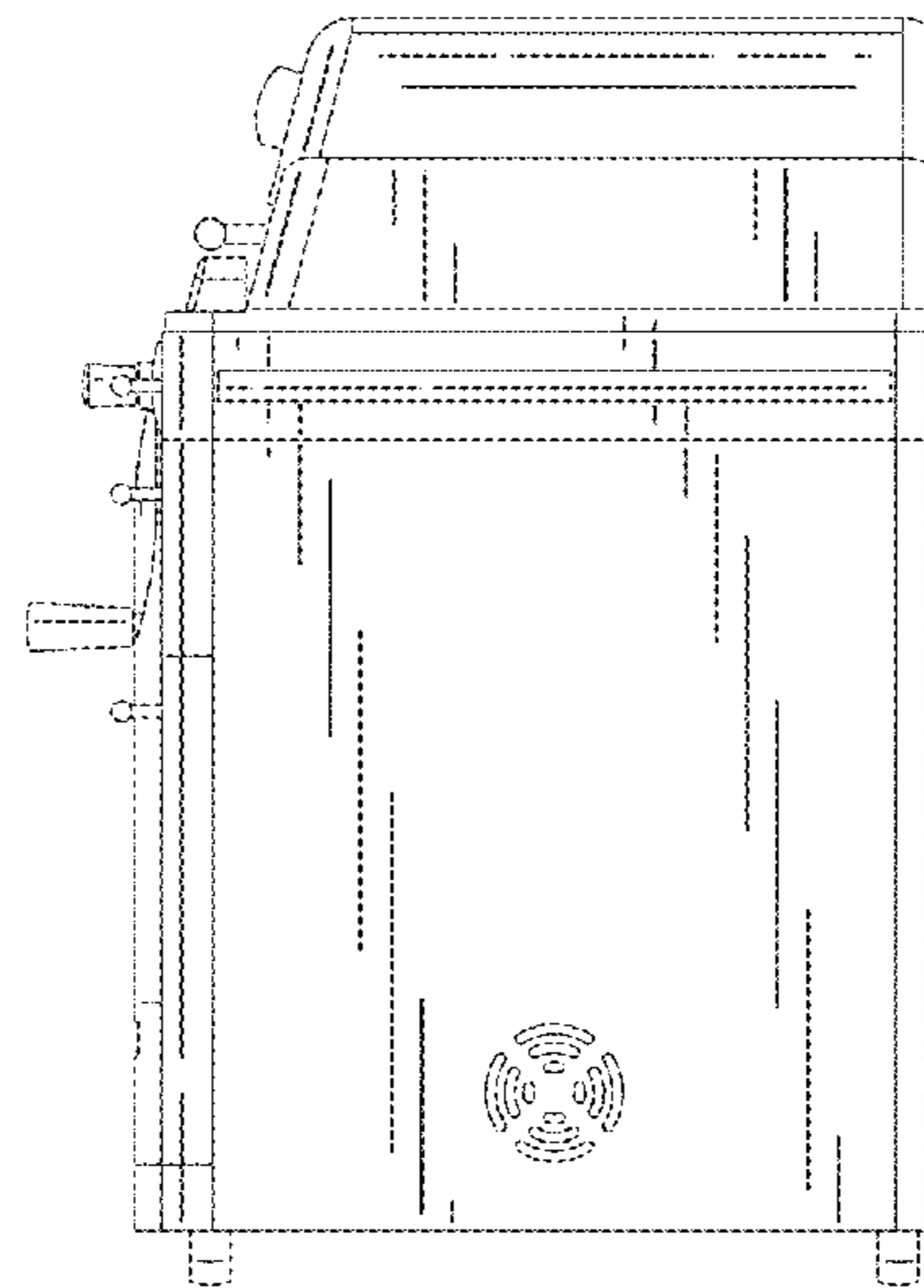
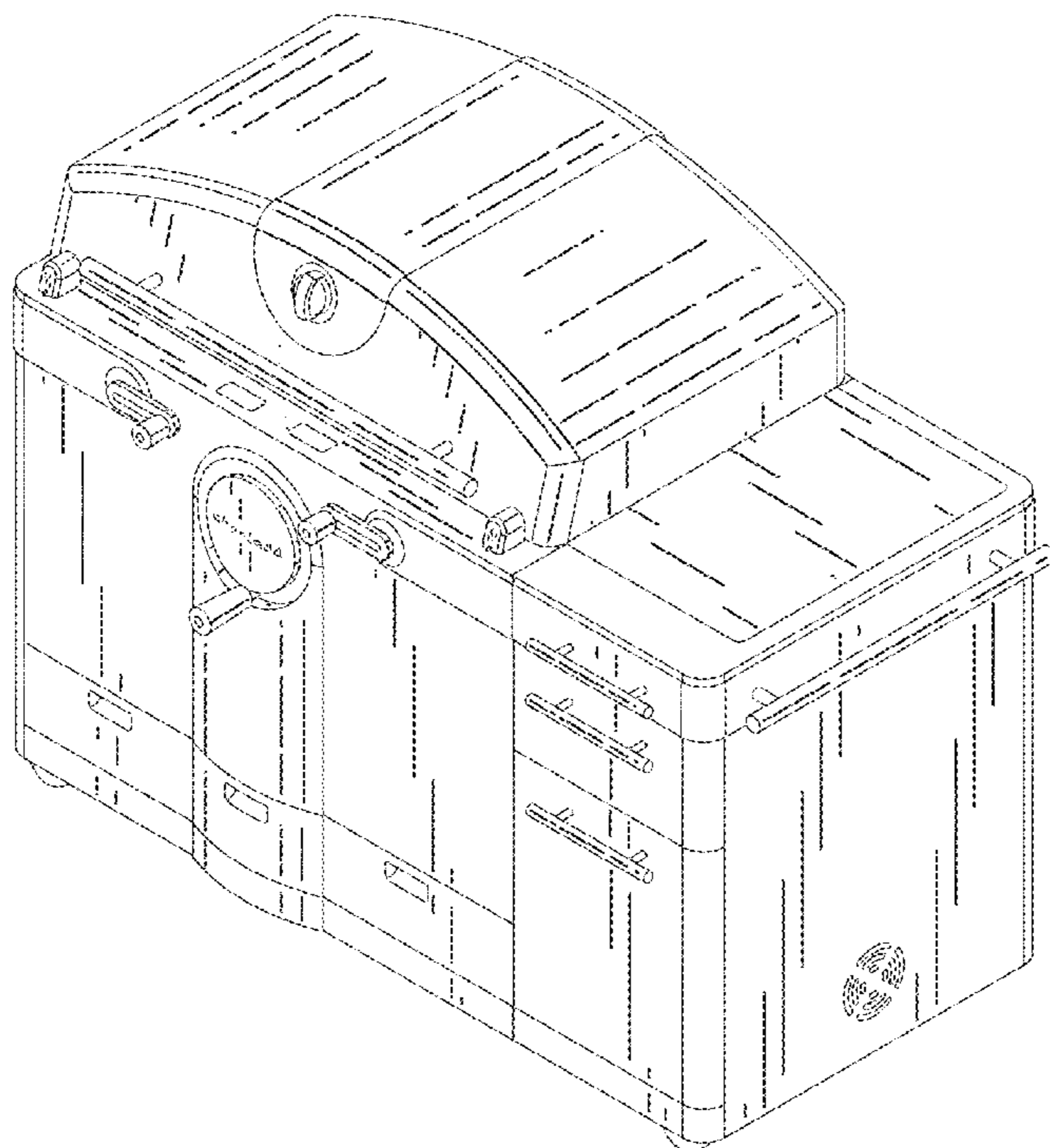
FIG. 11 is a right side elevational view thereof.

FIG. 12 is a left side elevational view thereof.

FIG. 13 is a bottom view thereof; and,

FIG. 14 is a rear elevational view thereof.

1 Claim, 6 Drawing Sheets



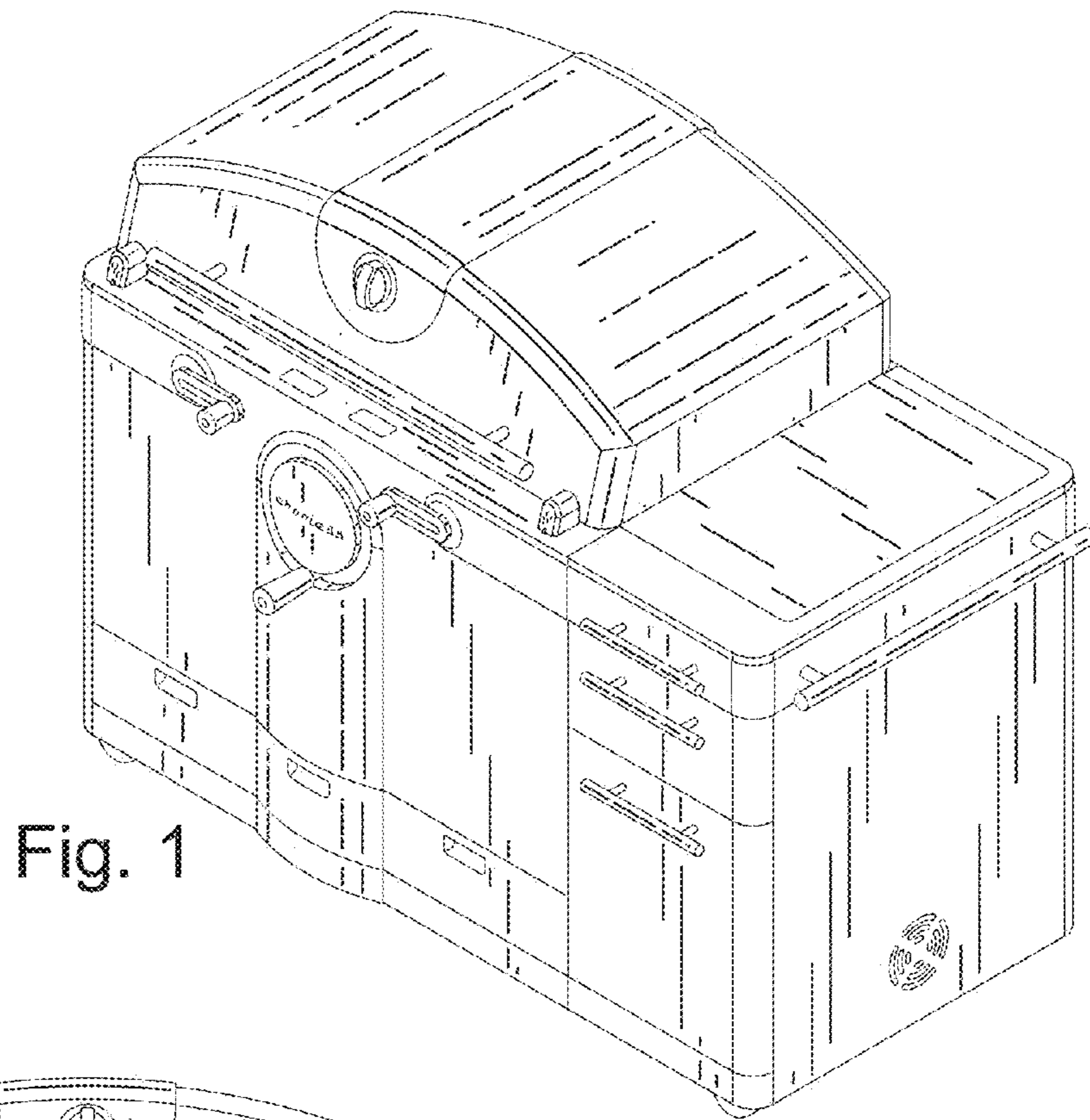


Fig. 1

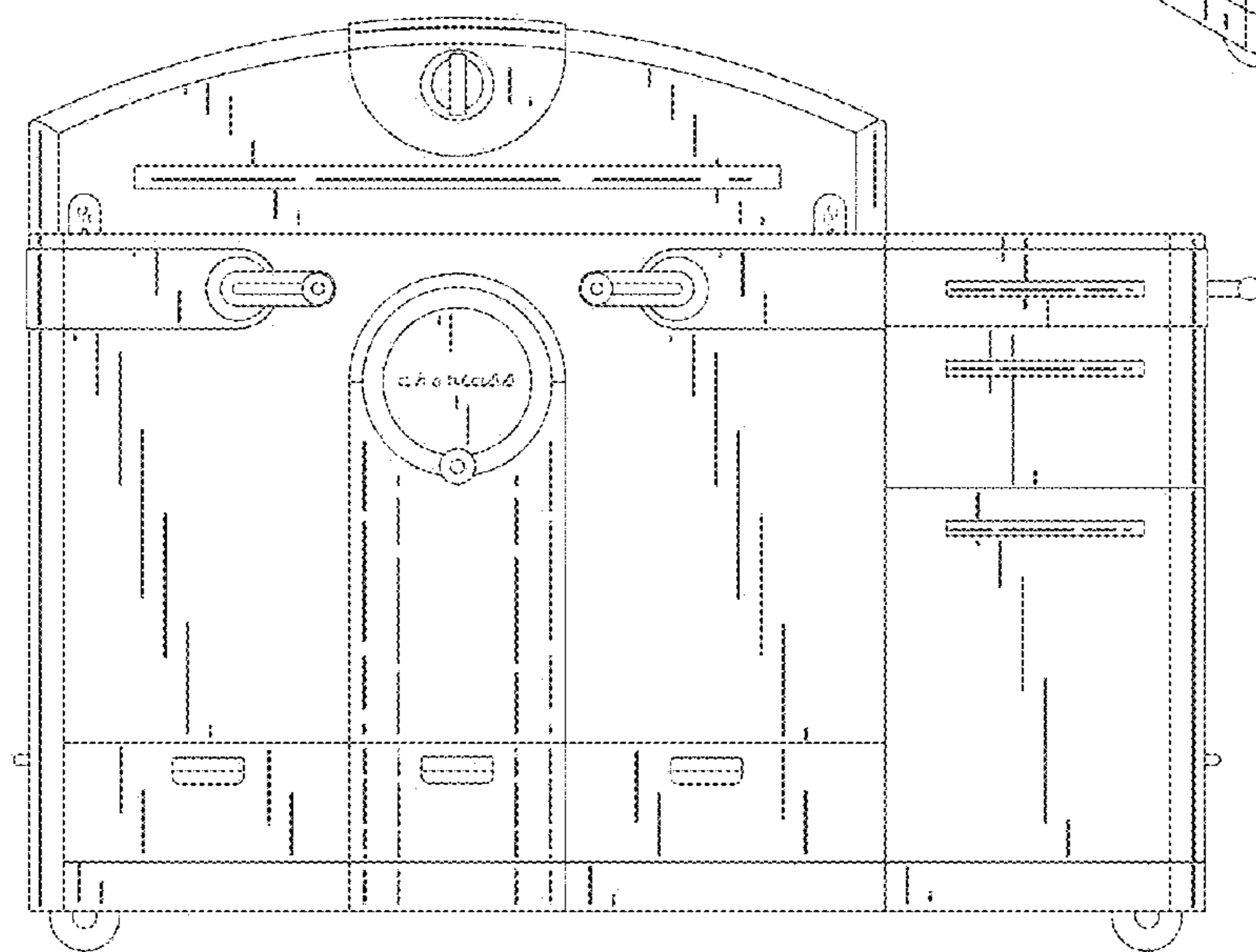


Fig. 2

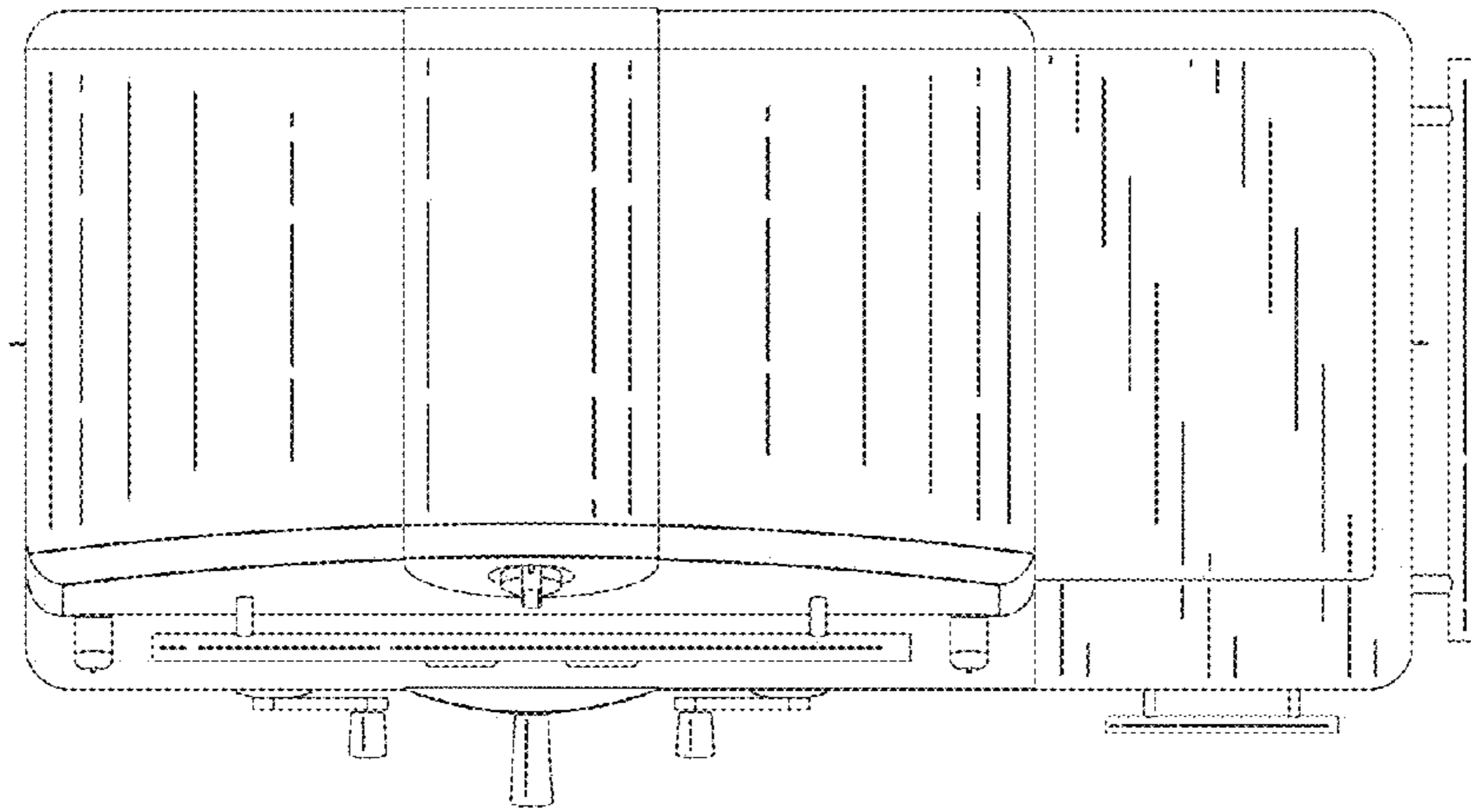


Fig. 3

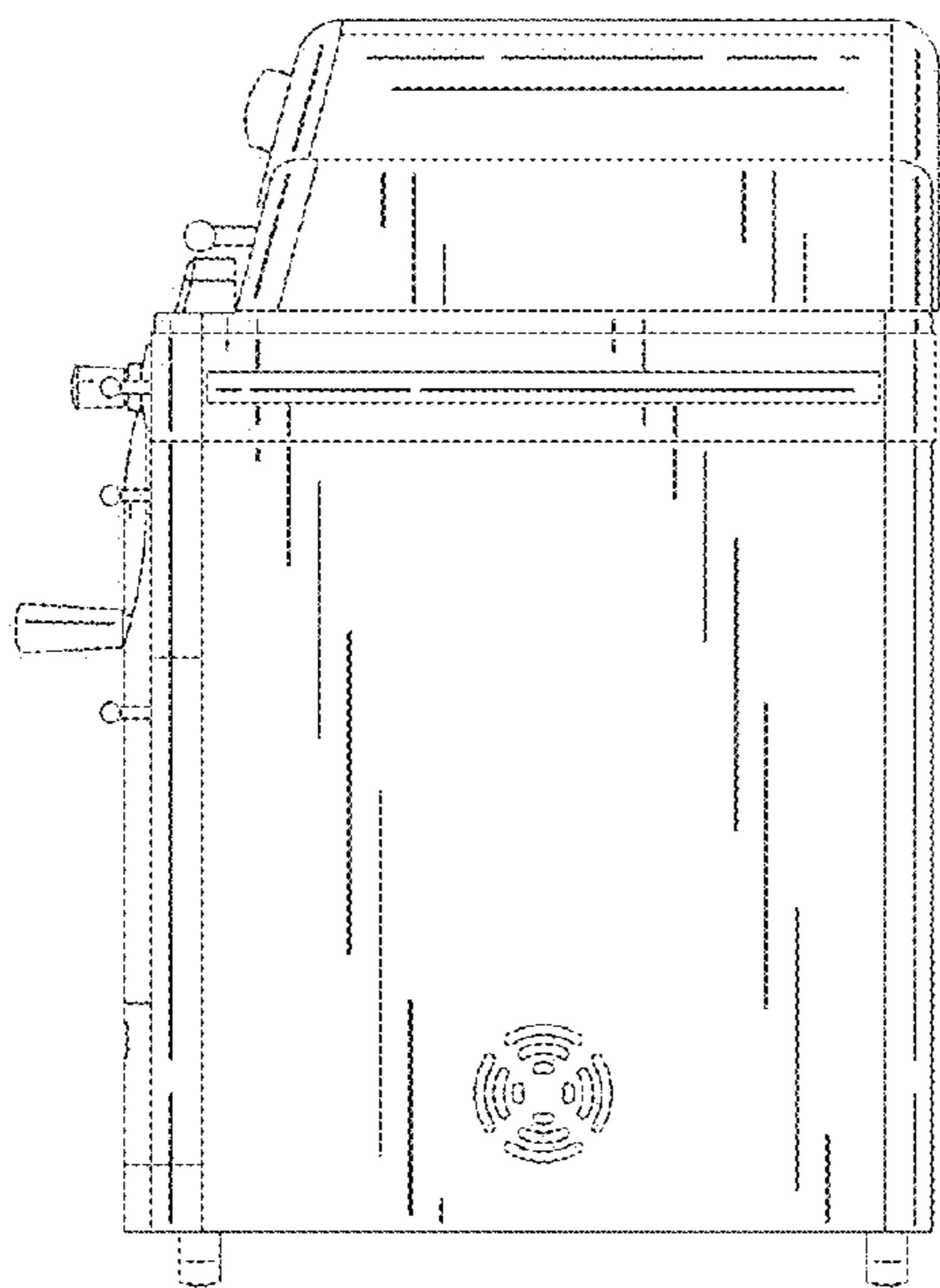


Fig. 4

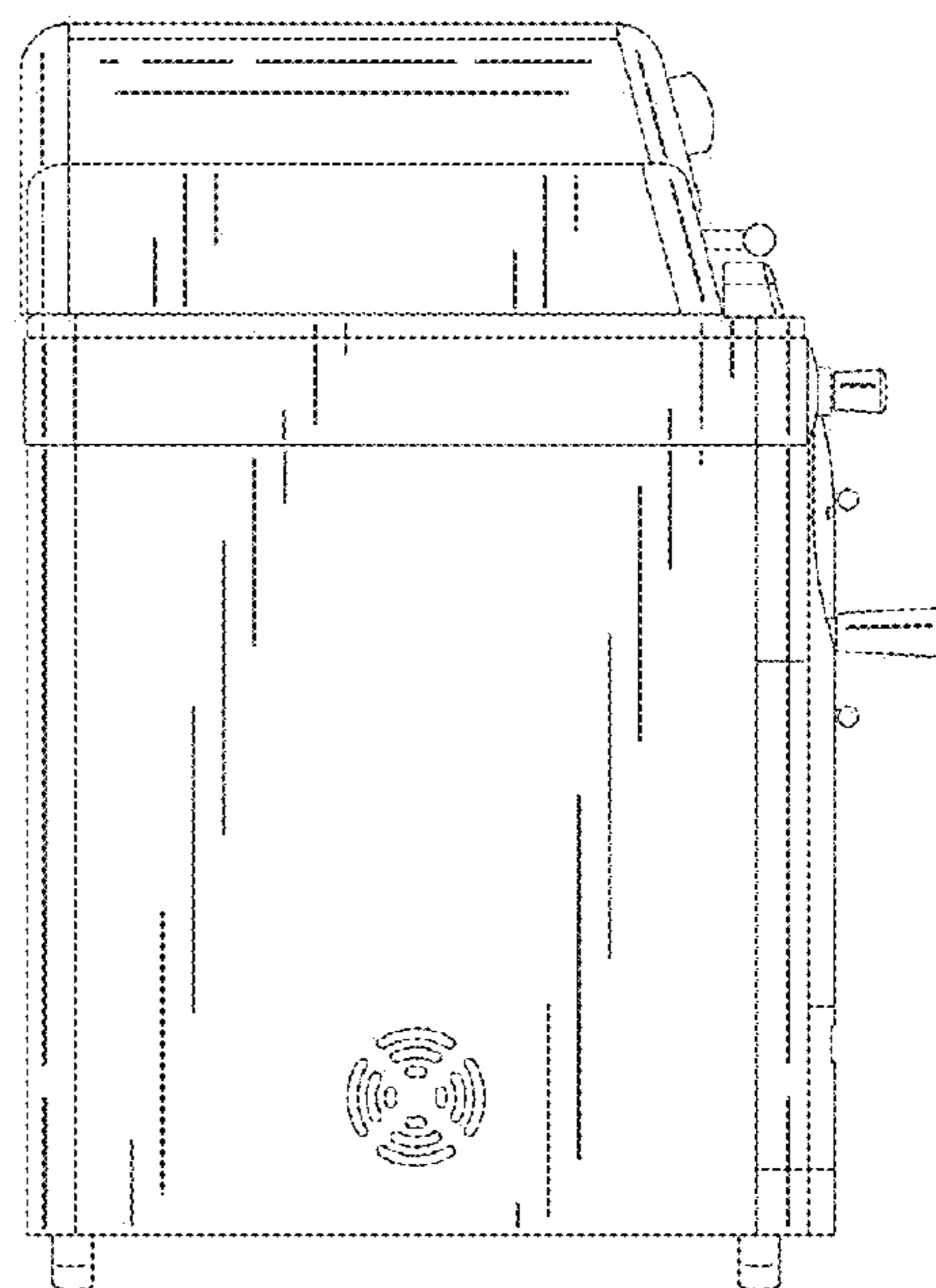


Fig. 5

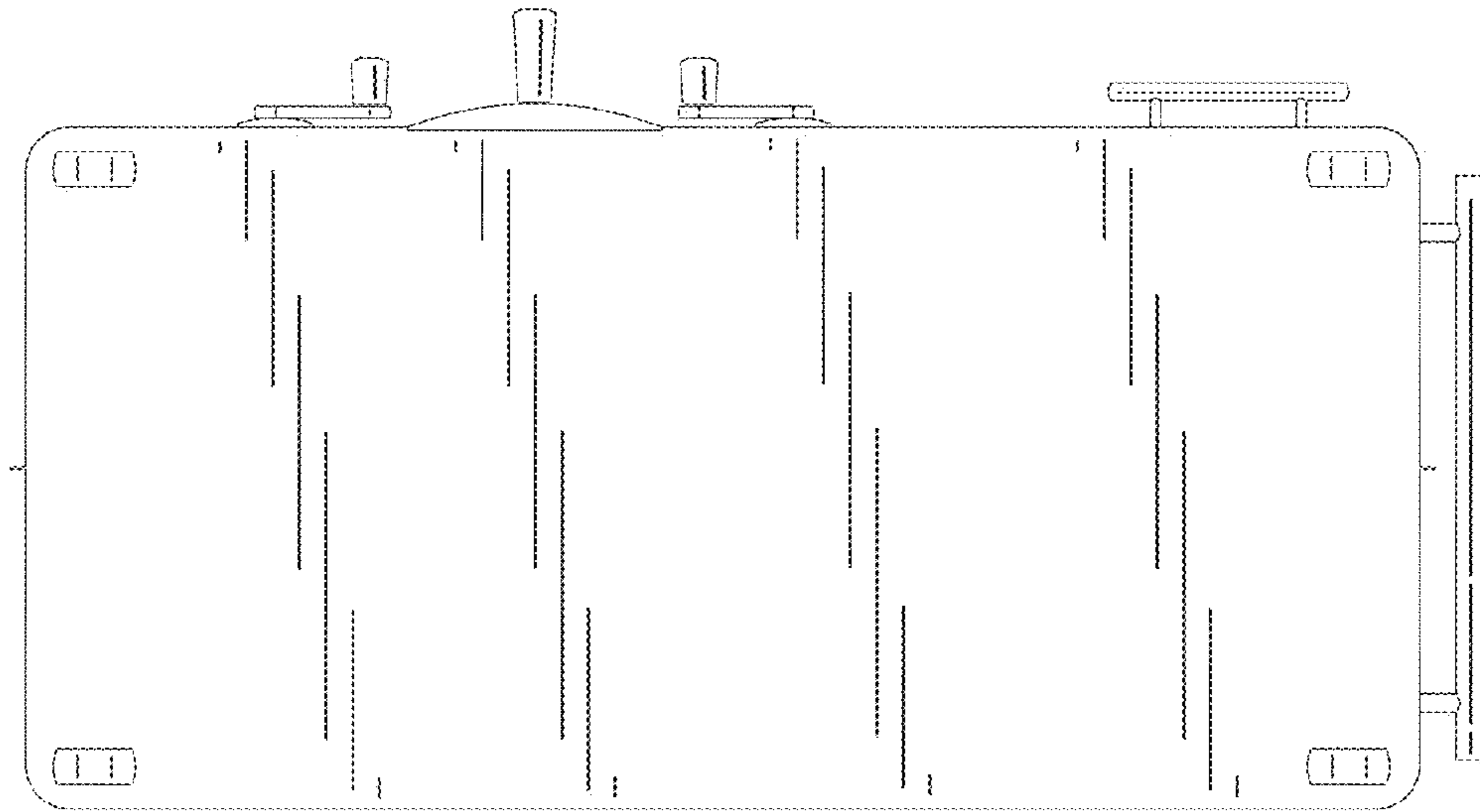


Fig. 6

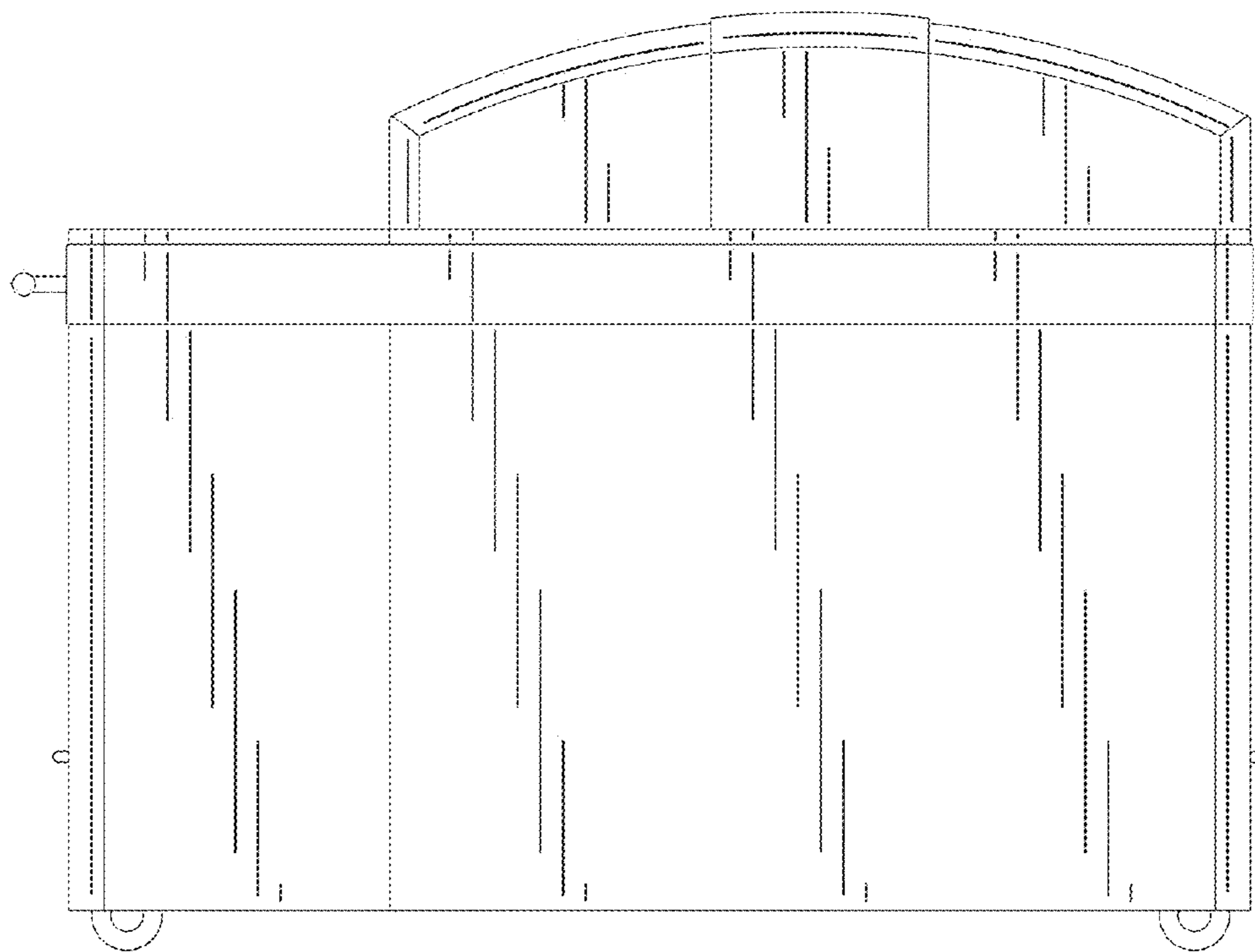


Fig. 7

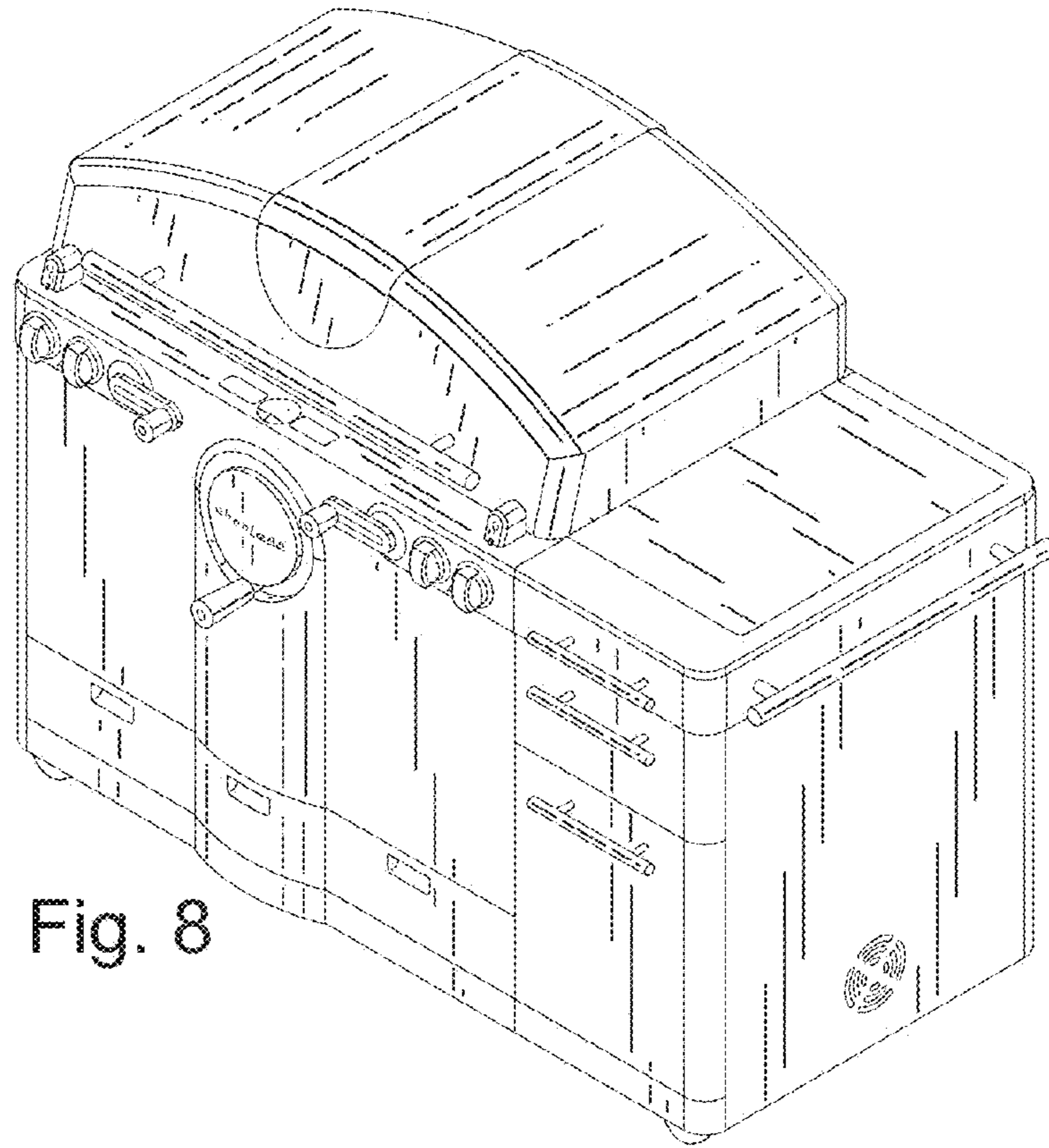


Fig. 8

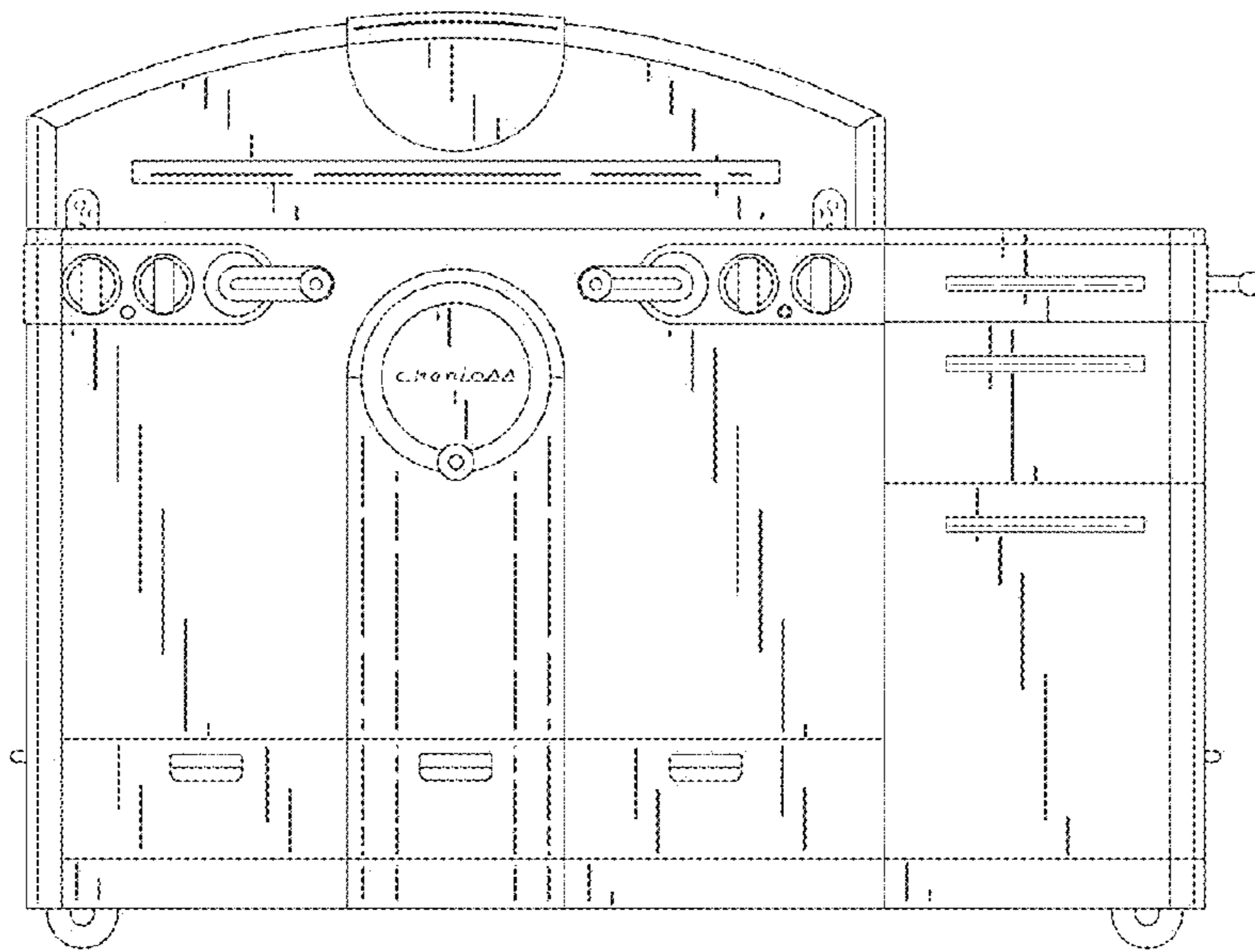


Fig. 9

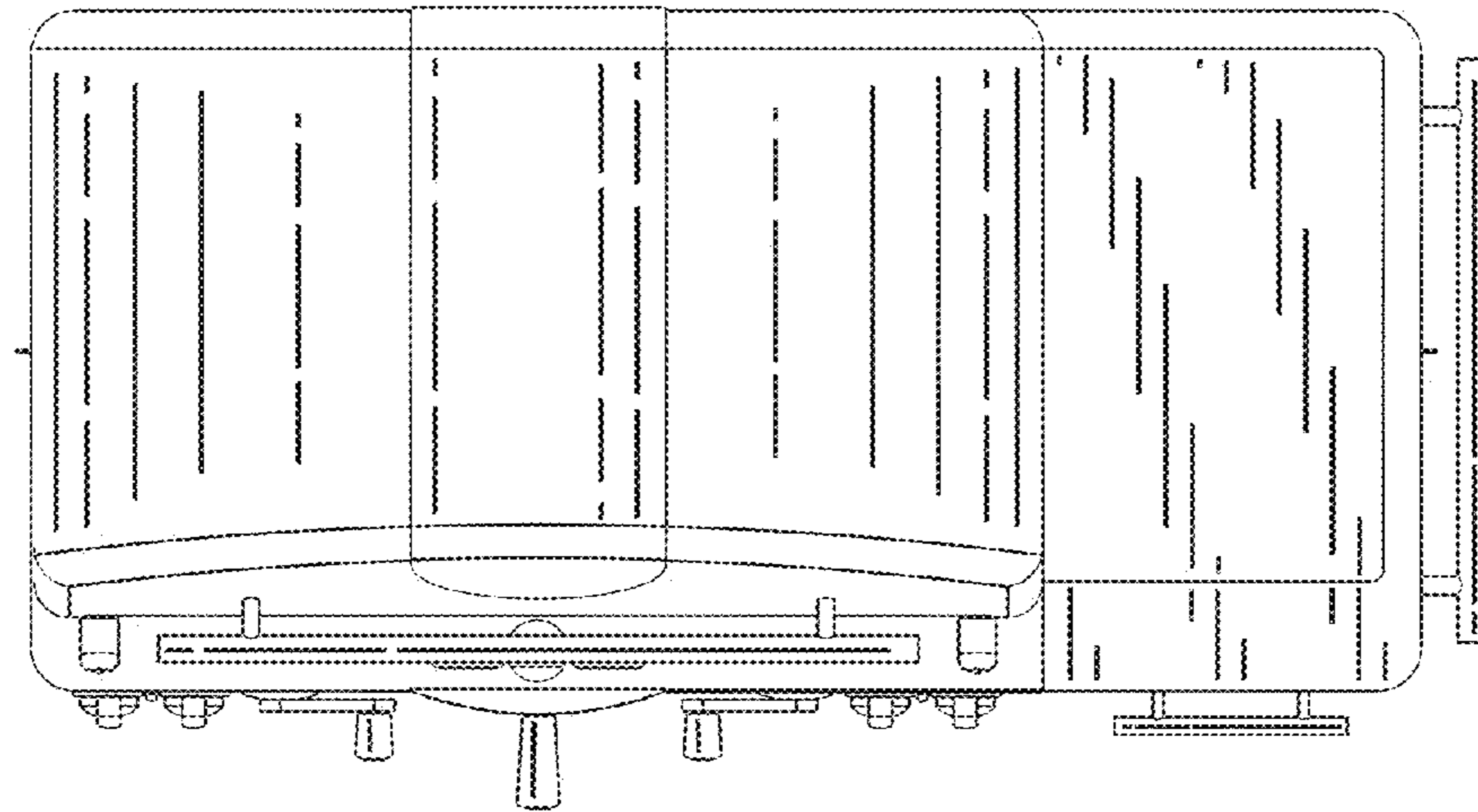


Fig. 10

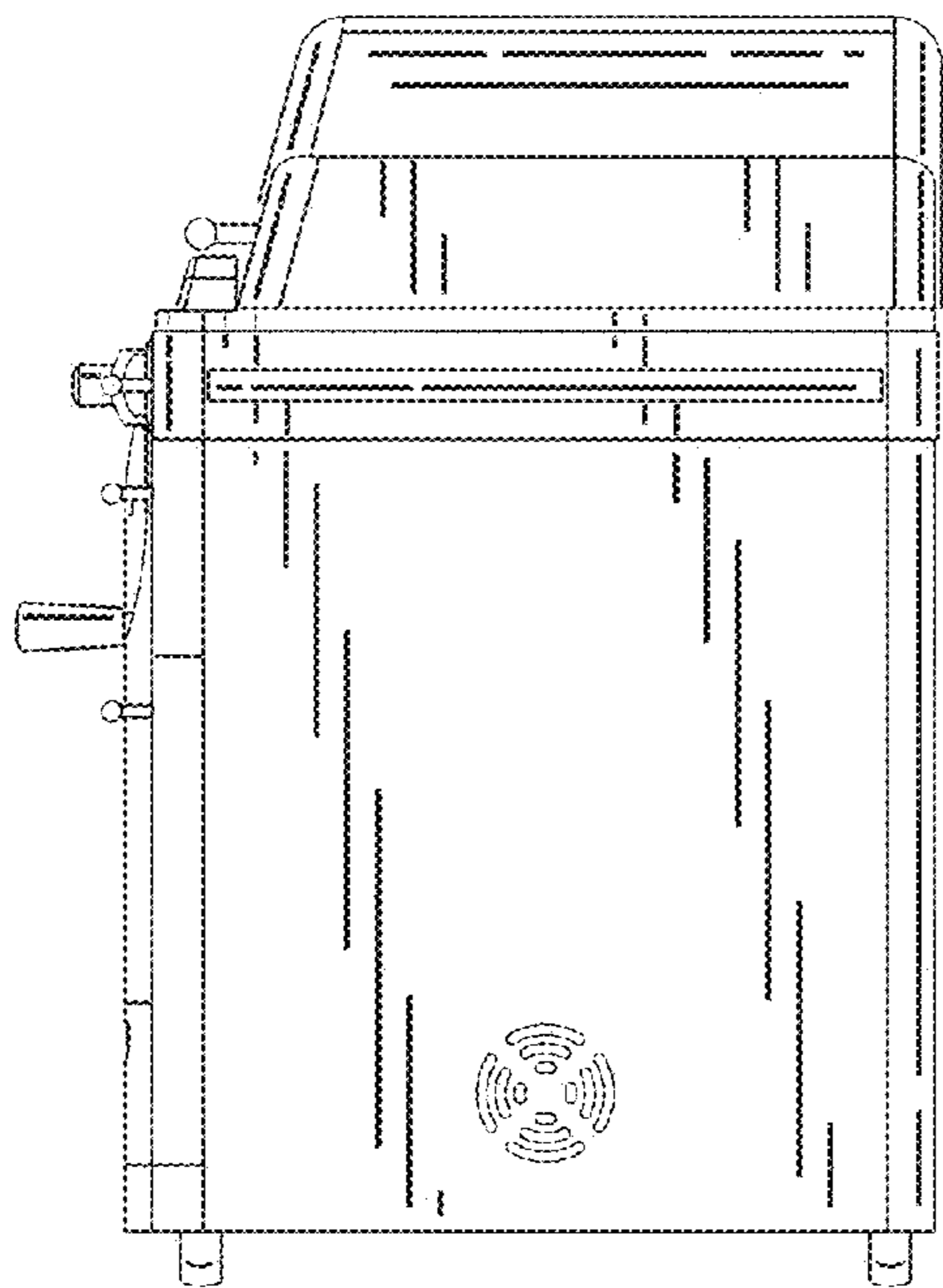


Fig. 11

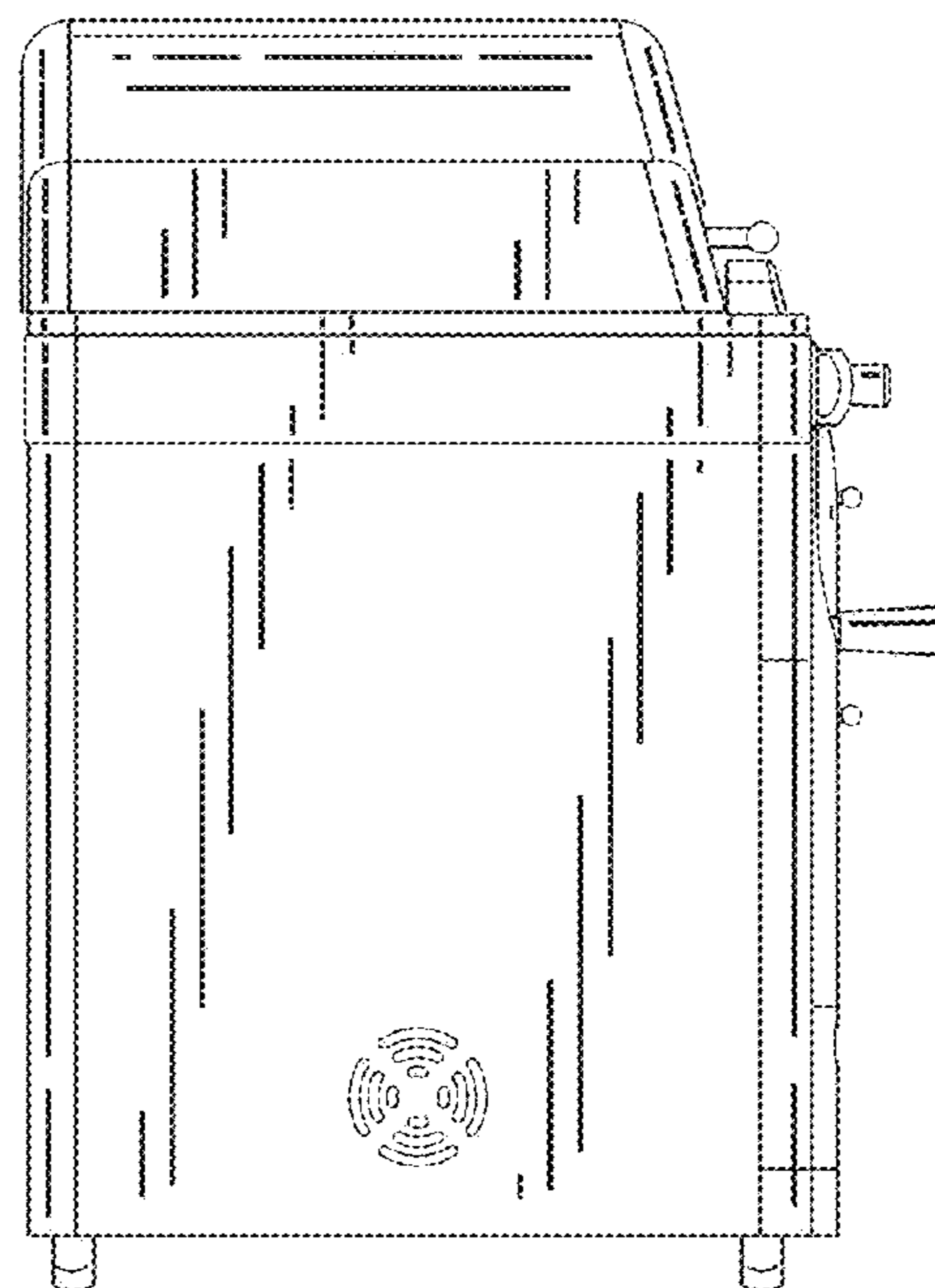


Fig. 12

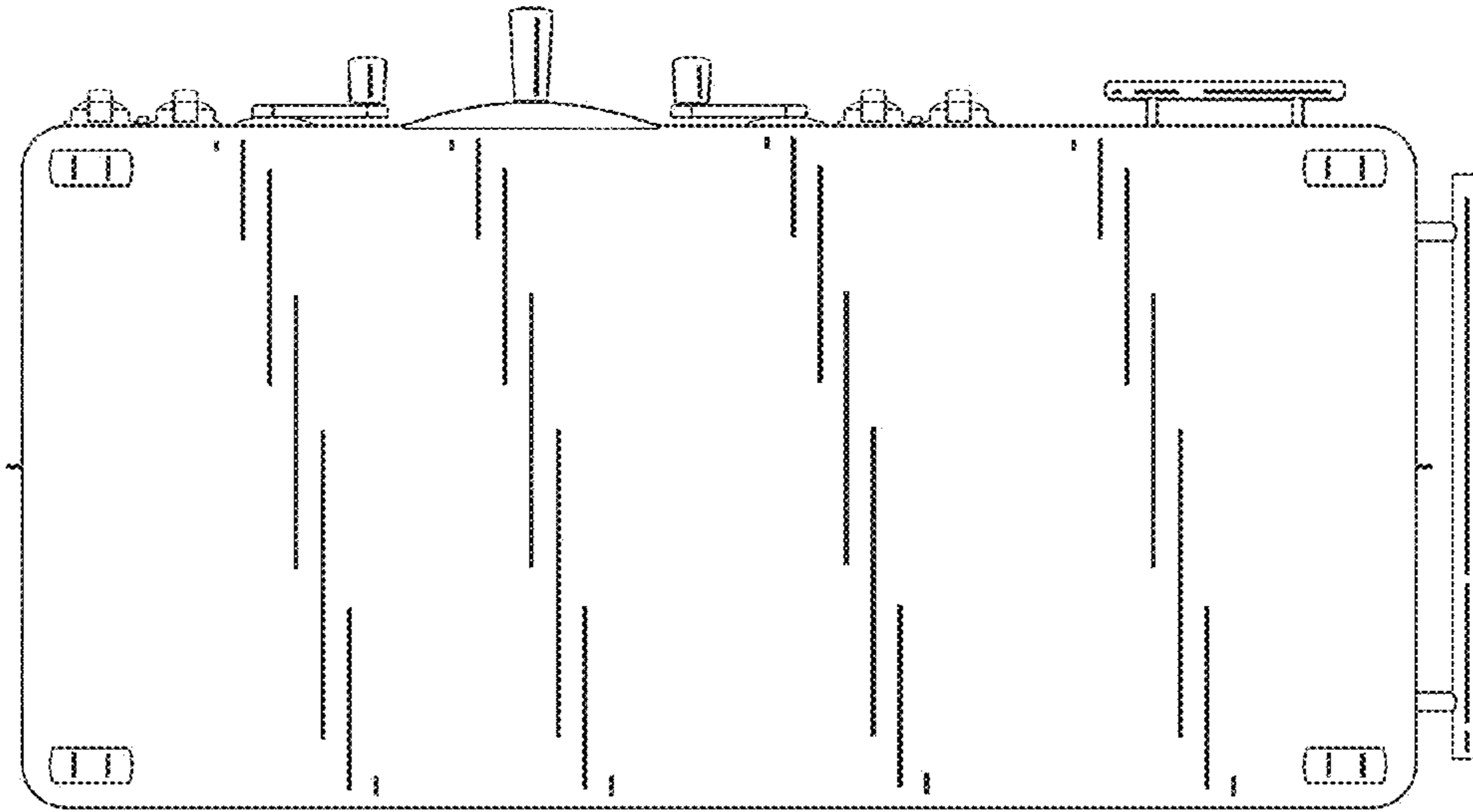


Fig. 13

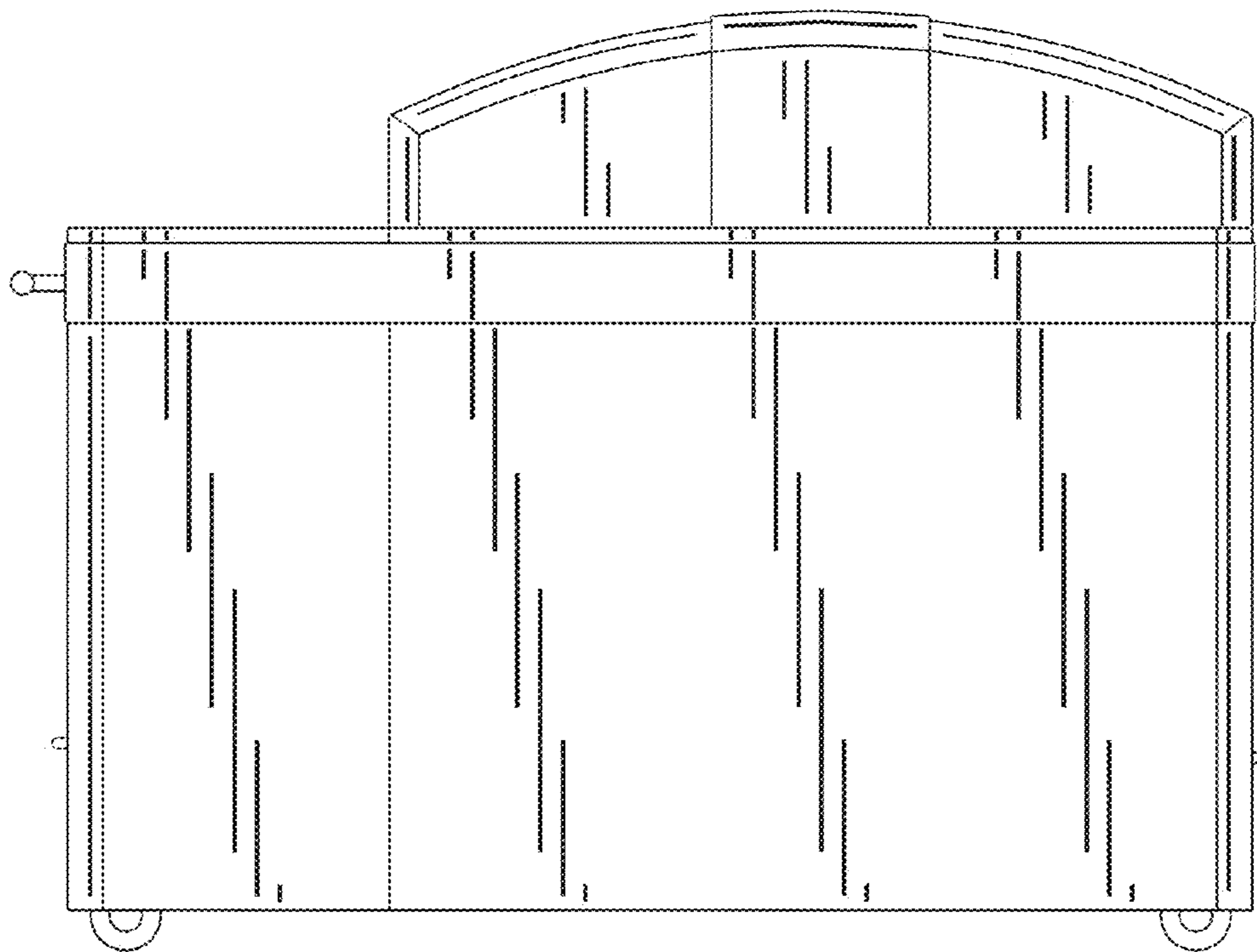


Fig. 14