



US00D723321S

(12) **United States Design Patent**  
**Chung**

(10) **Patent No.:** **US D723,321 S**  
(45) **Date of Patent:** **\*\* Mar. 3, 2015**

- (54) **BARBECUE GRILL**
- (71) Applicant: **Kiosky Chung**, Taichung (TW)
- (72) Inventor: **Kiosky Chung**, Taichung (TW)
- (\*\*) Term: **14 Years**
- (21) Appl. No.: **29/461,809**
- (22) Filed: **Jul. 27, 2013**
- (51) **LOC (10) Cl.** ..... **07-02**
- (52) **U.S. Cl.**  
USPC ..... **D7/334**
- (58) **Field of Classification Search**  
USPC ..... D7/332, 334–337, 402–405, 362, 367;  
99/481–482, 449, 340; 431/206;  
126/19 M, 19 R, 39 R, 39 H, 39 B, 25 R,  
126/43, 41 R, 9 R, 38, 37 R, 40, 50  
See application file for complete search history.

D660,073 S *	5/2012	Chung	.....	D7/334
D661,538 S *	6/2012	Chung	.....	D7/334
D679,937 S *	4/2013	Chung	.....	D7/334
D687,668 S *	8/2013	Chung	.....	D7/334
D687,669 S *	8/2013	Chung	.....	D7/334

\* cited by examiner

*Primary Examiner* — Ruth McInroy

(57) **CLAIM**  
I claim the ornamental design for a barbecue grill, as shown and described.

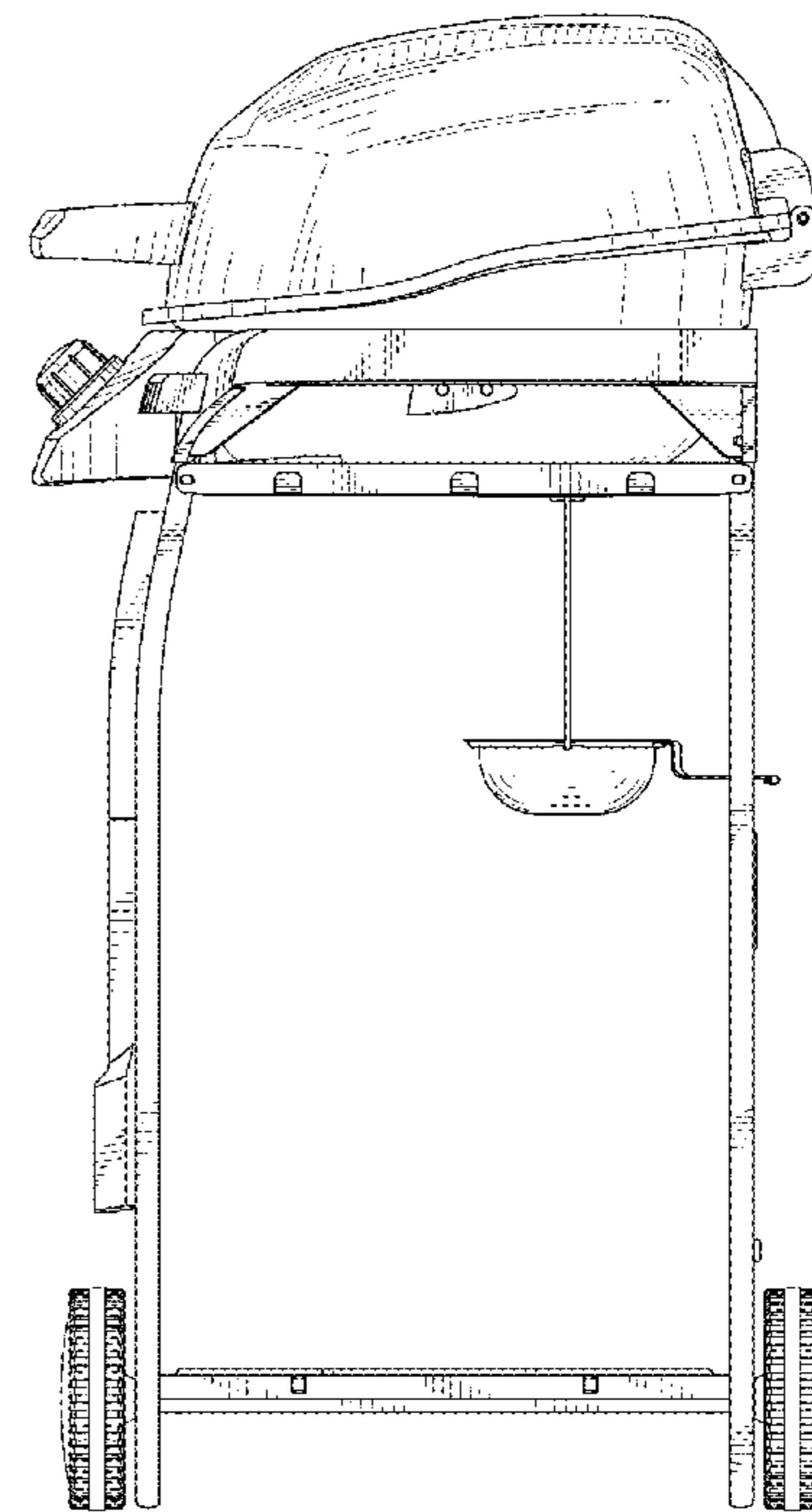
**DESCRIPTION**

FIG. 1 is a perspective view of a barbecue grill, showing my new design;  
 FIG. 2 is a front elevational view thereof;  
 FIG. 3 is a rear elevational view thereof;  
 FIG. 4 is a left side elevational view thereof;  
 FIG. 5 is a right side elevational view thereof;  
 FIG. 6 is a top plan view thereof; and,  
 FIG. 7 is a bottom plan view thereof.

The broken lines shown in the drawings are for the purpose of illustrating unclaimed portions of the barbecue grill and form no part of the claimed design.

- (56) **References Cited**  
U.S. PATENT DOCUMENTS
- |              |        |       |       |        |
|--------------|--------|-------|-------|--------|
| D607,262 S * | 1/2010 | Chung | ..... | D7/334 |
| D618,035 S * | 6/2010 | Chung | ..... | D7/334 |
| D658,926 S * | 5/2012 | Chung | ..... | D7/334 |

**1 Claim, 7 Drawing Sheets**



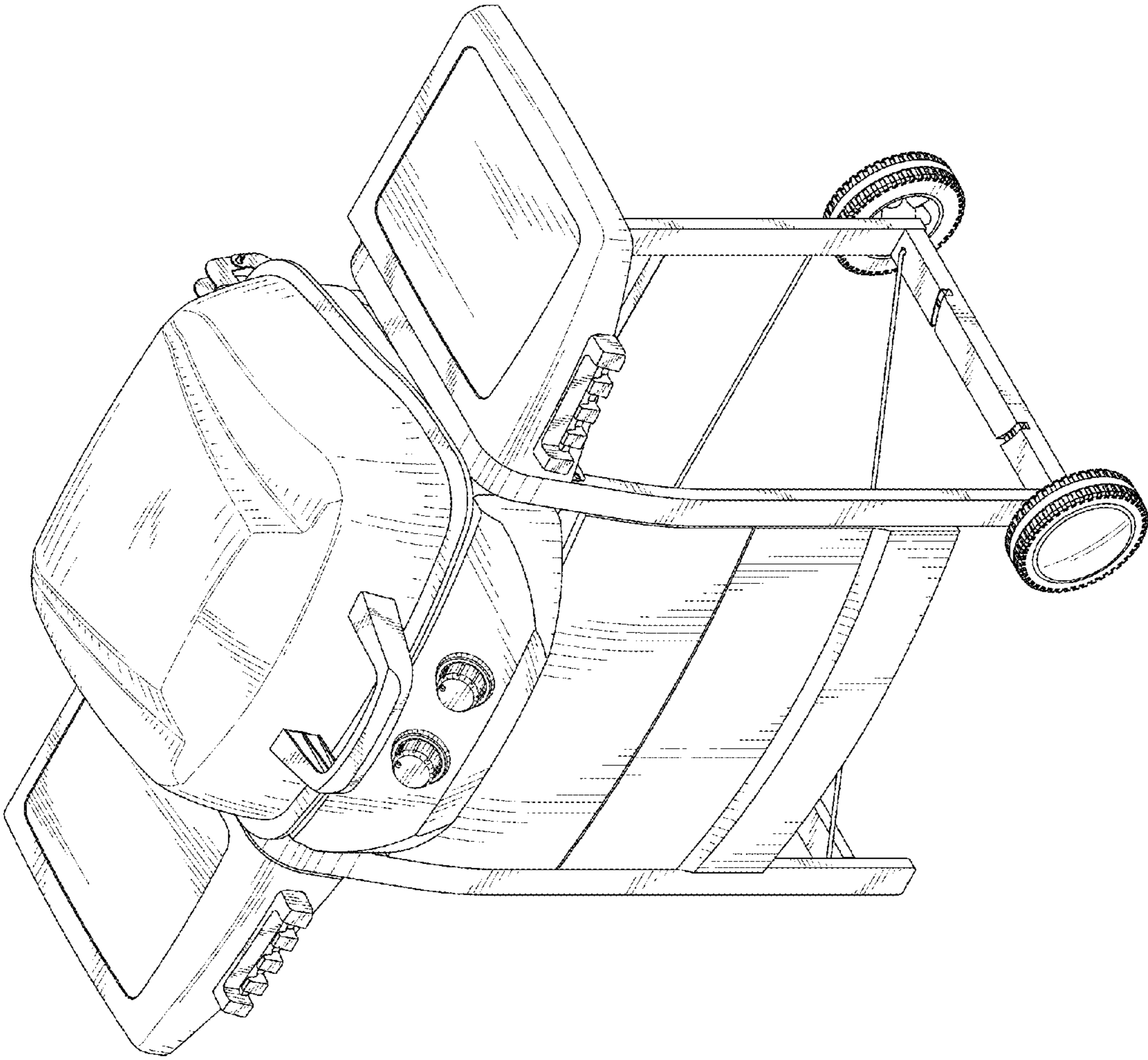


FIG. 1

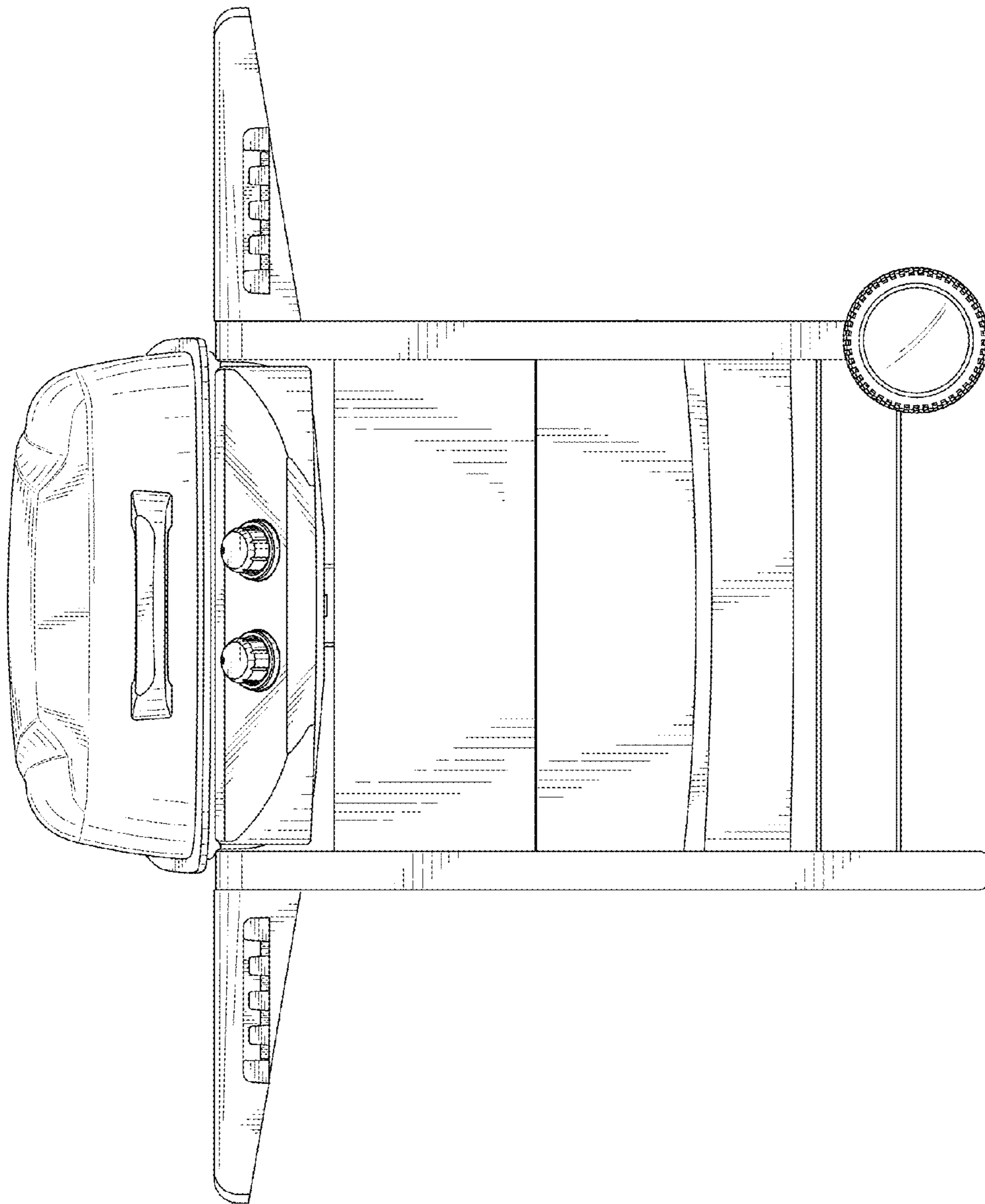


FIG. 2

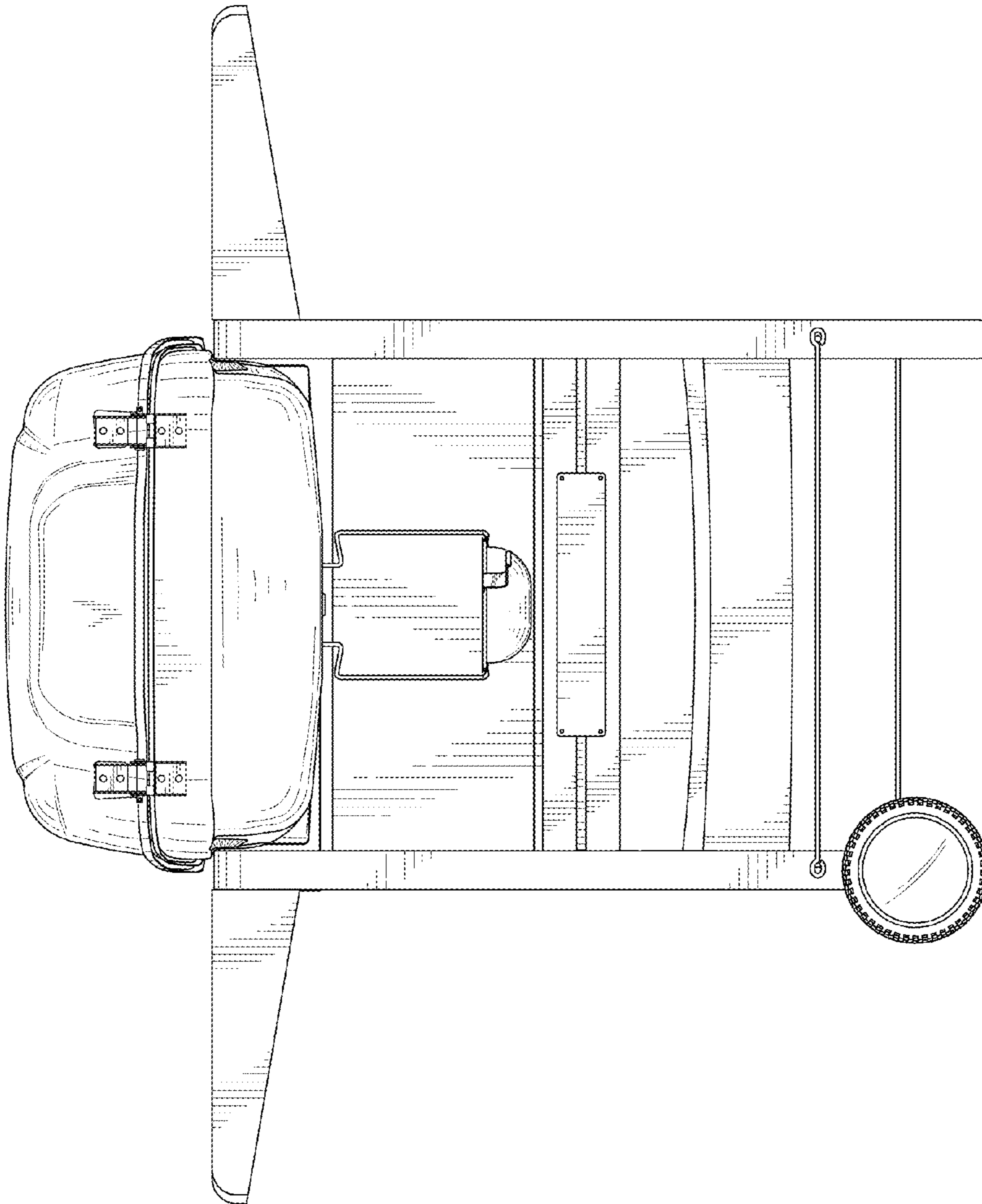


FIG. 3



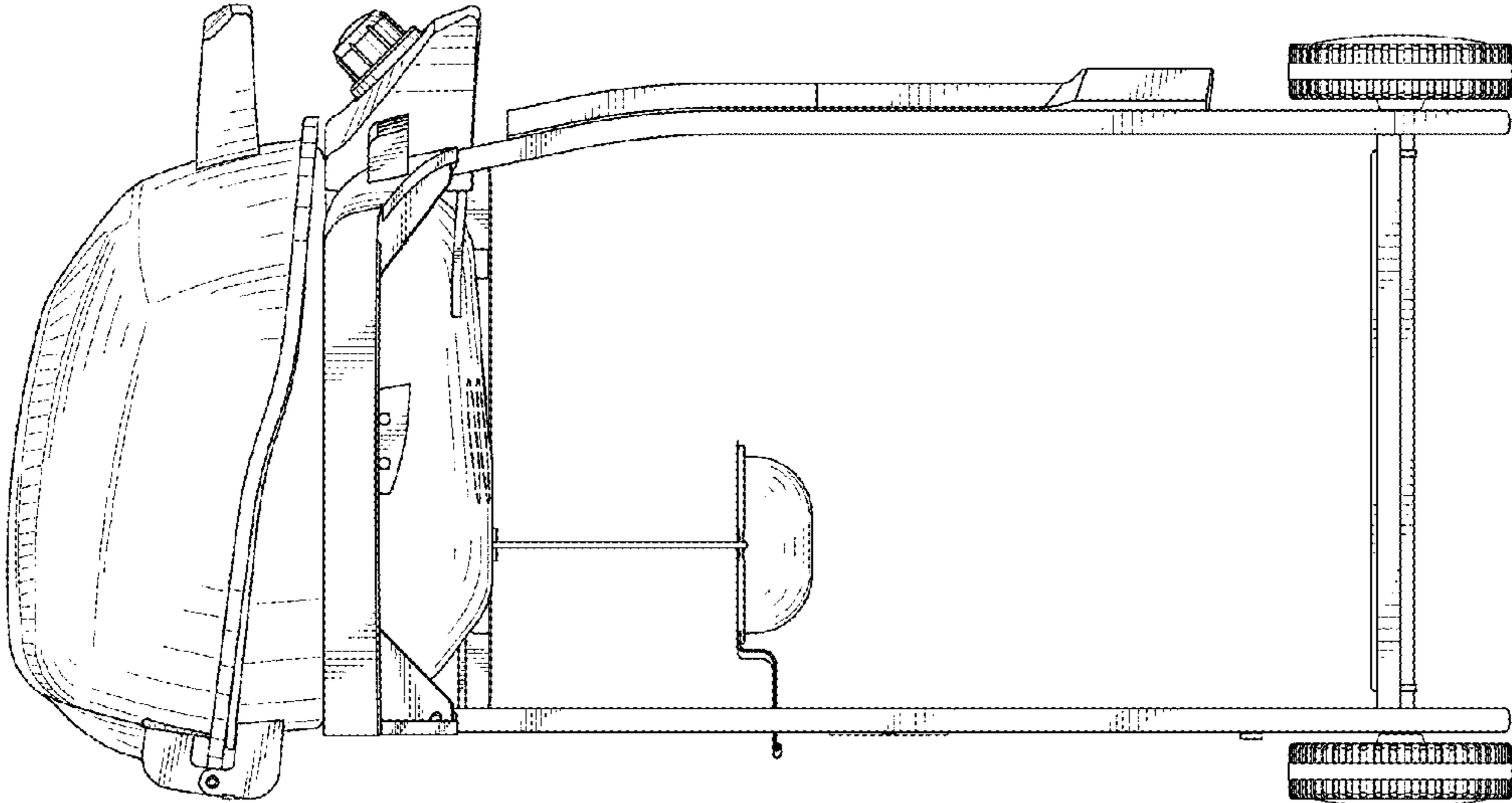


FIG. 4

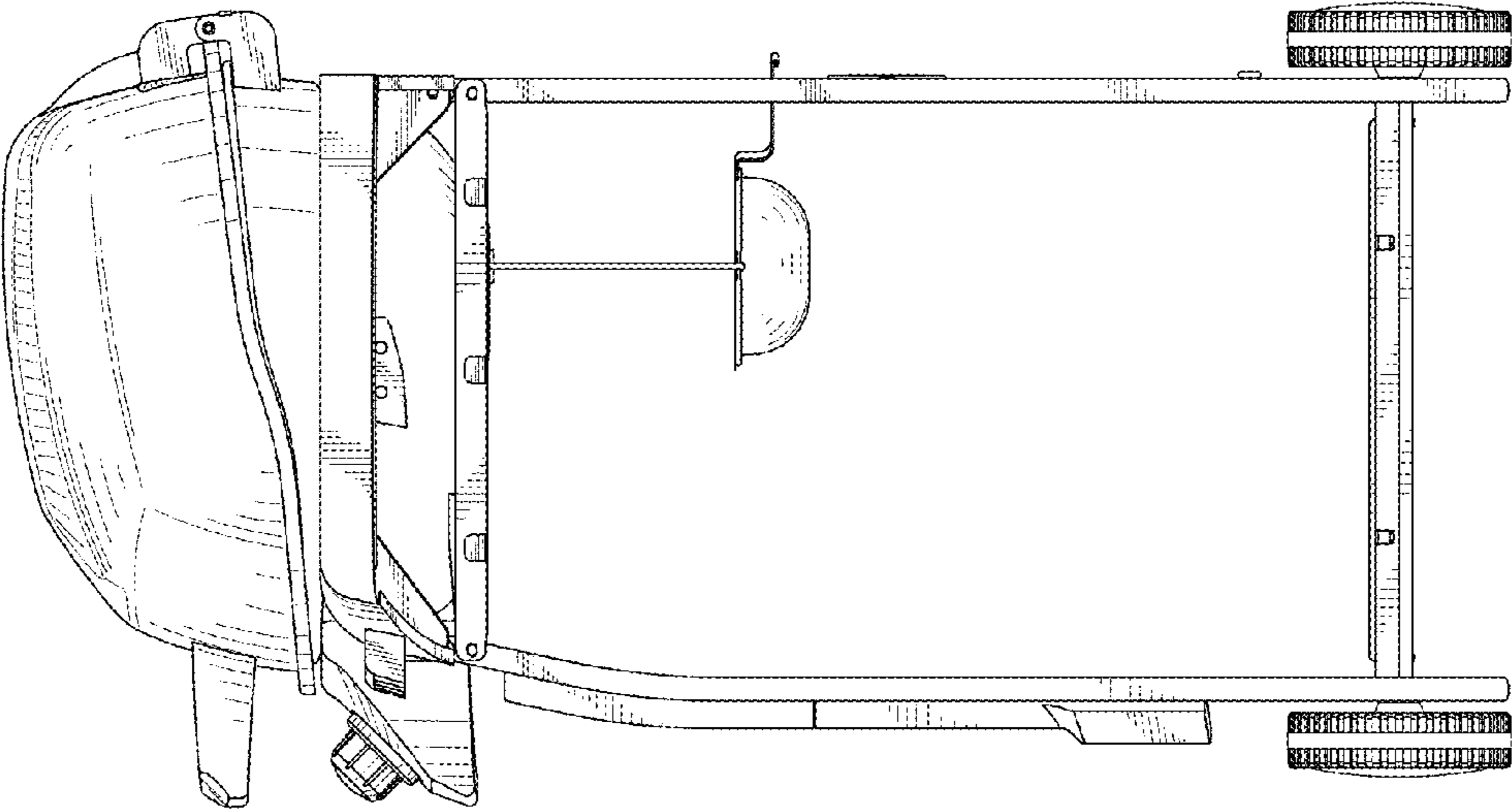


FIG. 5

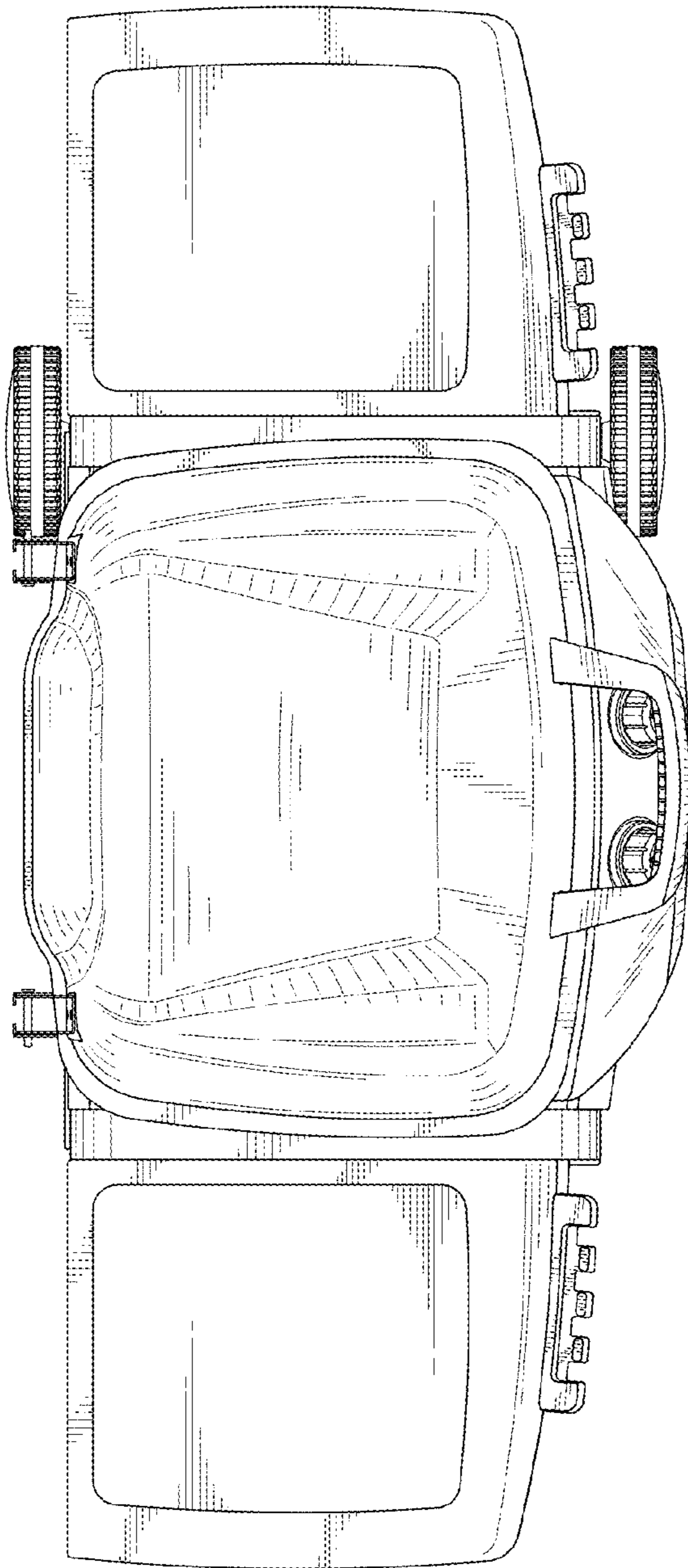


FIG. 6

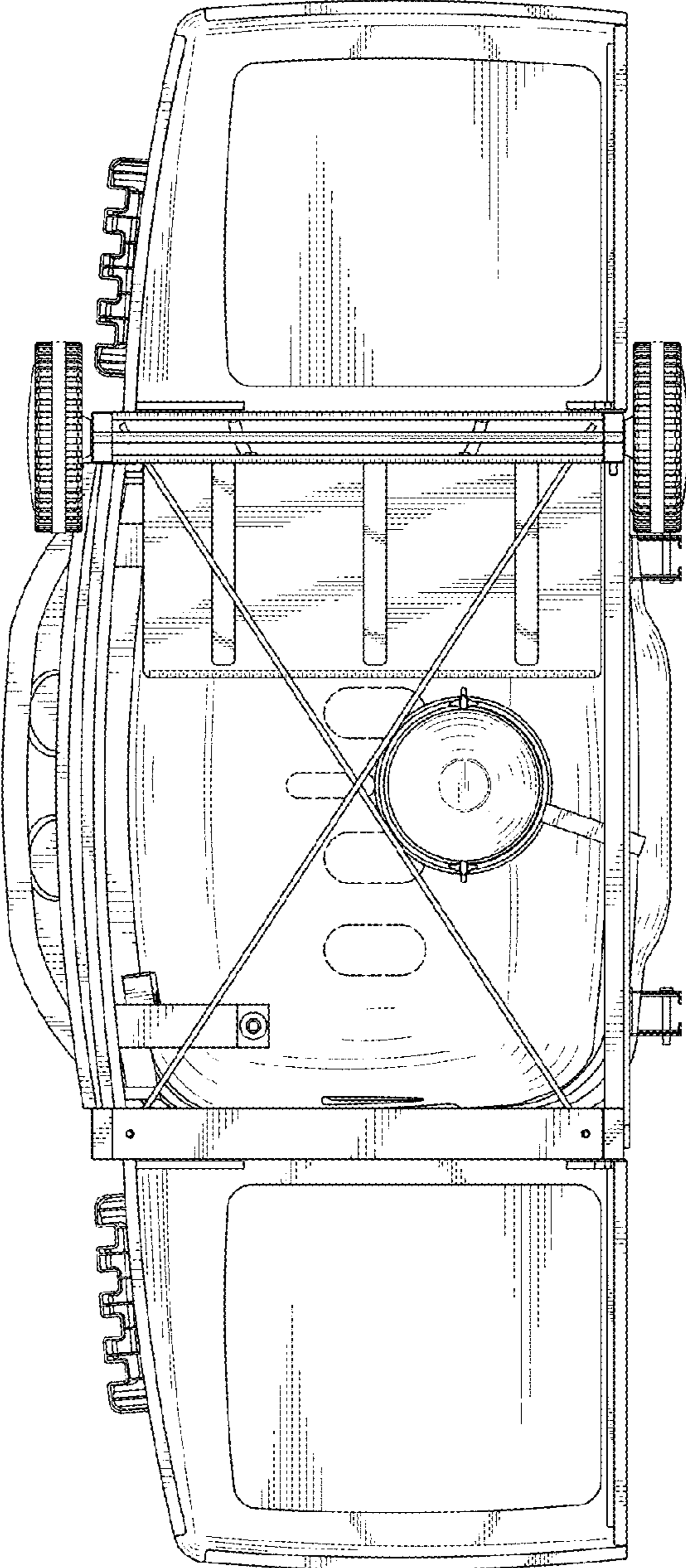


FIG. 7