



US00D723320S

(12) **United States Design Patent**  
**Rooney et al.**

(10) **Patent No.:** **US D723,320 S**  
(45) **Date of Patent:** **\*\* Mar. 3, 2015**

(54) **POPCORN POPPER**

(71) Applicant: **National Presto Industries, Inc.**, Eau Claire, WI (US)

(72) Inventors: **Seth Rooney**, Chippewa Falls, WI (US);  
**Michael R. Berge**, Eau Claire, WI (US)

(73) Assignee: **National Presto Industries, Inc.**, Eau Claire, WI (US)

(\*\*) Term: **14 Years**

(21) Appl. No.: **29/489,092**

(22) Filed: **Apr. 25, 2014**

(51) **LOC (10) Cl.** ..... **31-00**

(52) **U.S. Cl.**  
USPC ..... **D7/325**

(58) **Field of Classification Search**  
CPC ..... A23L 1/01; A23L 1/0128; A23L 1/10;  
A23L 1/18; A23L 1/1802; A23L 1/1812;  
A23L 1/1815; A23L 1/1817; A23L 1/217;  
A23P 1/14; A23P 1/142; A23P 1/144; A23P  
1/146; A23P 1/148; A47F 3/0408; A47J  
27/004; A47J 36/027; A47J 36/06; B65D  
81/34; B65D 81/3407; B65D 81/3446; B65D  
81/3453  
USPC ..... D6/631, 661.3, 674; D7/308, 323, 325,  
D7/337, 339, 346–347, 350.1, 350.4, 354,  
D7/357, 362, 391, 515, 602, 629; D9/449;  
62/246, 255; 99/323.4–323.11;  
219/433, 441, 728–731, 734–735;  
426/107, 113, 115, 241–243, 443, 449

See application file for complete search history.

(56) **References Cited**

U.S. PATENT DOCUMENTS

D193,260	S	7/1962	Dewenter	
D229,387	S *	11/1973	Gruber	D7/308
4,152,974	A	5/1979	Tienor	
D256,019	S	7/1980	Boldt et al.	
D259,385	S	6/1981	Levin	
D260,649	S	9/1981	Wondergem	
D262,426	S	12/1981	Bluestein et al.	
D279,070	S	6/1985	Morrison	
D279,448	S	7/1985	Spoeth, Jr.	
D281,137	S *	10/1985	Cesaroni	D7/325
4,702,158	A	10/1987	Ishihara	
D294,673	S	3/1988	Solomon	
4,748,903	A	6/1988	Fereshetian	
D298,202	S	10/1988	Levin	
4,920,760	A *	5/1990	Muhlack	62/255
D317,238	S	6/1991	Busick	
D317,838	S *	7/1991	Millet et al.	D6/472
D325,483	S *	4/1992	Muhlack	D6/472
D338,800	S	8/1993	Duquaine	

(Continued)

*Primary Examiner* — Ricky Pham

(74) *Attorney, Agent, or Firm* — Patterson Thunte Pedersen, P.A.

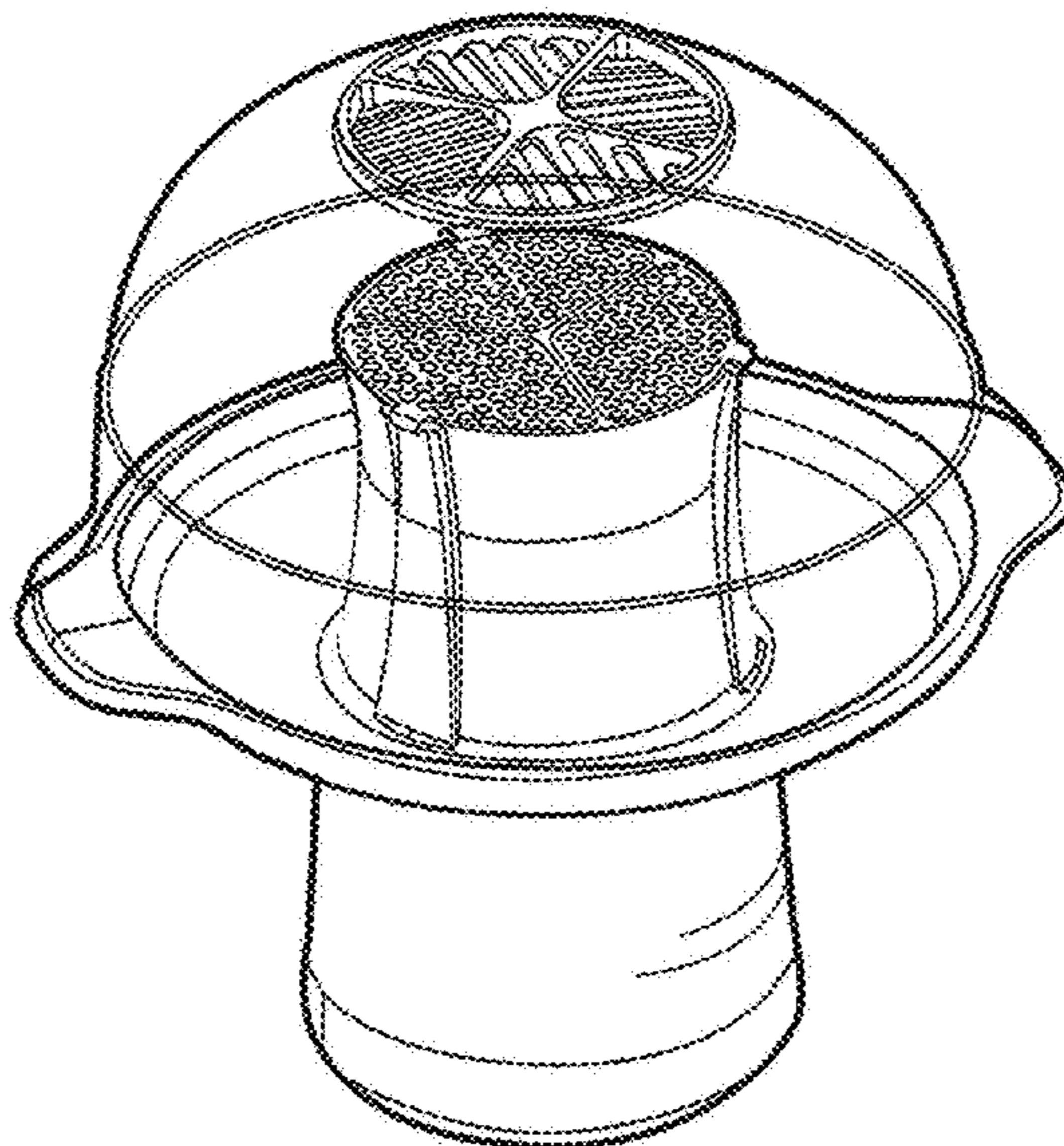
(57) **CLAIM**

We claim the ornamental design for popcorn popper, as shown and described.

**DESCRIPTION**

FIG. 1 is a front view of a popcorn popper according to a representative embodiment of the present invention. FIG. 2 is a side view of the popcorn popper of FIG. 1. FIG. 3 is a rear view of the popcorn popper of FIG. 1. FIG. 4 is a side view of the popcorn popper of FIG. 1. FIG. 5 is a top view of the popcorn popper of FIG. 1. FIG. 6 is a bottom view of the popcorn popper of FIG. 1; and, FIG. 7 is a perspective view of the popcorn popper of FIG. 1. Items shown in broken lines are for illustrative purposes only and form no part of the claimed invention.

**1 Claim, 7 Drawing Sheets**



(56)

**References Cited**

U.S. PATENT DOCUMENTS

D354,639 S \* 1/1995 Stoddard et al. .... D6/450  
5,397,879 A 3/1995 Geissler  
D360,102 S 7/1995 Geissler et al.  
D361,918 S 9/1995 Cesaroni et al.  
5,501,139 A 3/1996 Lee

D442,816 S \* 5/2001 Chen ..... D6/631  
D461,097 S \* 8/2002 Nemirovsky ..... D7/515  
D569,677 S \* 5/2008 Poon ..... D7/357  
D607,260 S \* 1/2010 Lam ..... D7/325  
D615,797 S \* 5/2010 Berge et al. .... D7/325  
D625,604 S \* 10/2010 Zaslow ..... D9/449  
D642,006 S 7/2011 Seymour  
8,127,565 B1 \* 3/2012 Lange et al. .... 62/246

\* cited by examiner

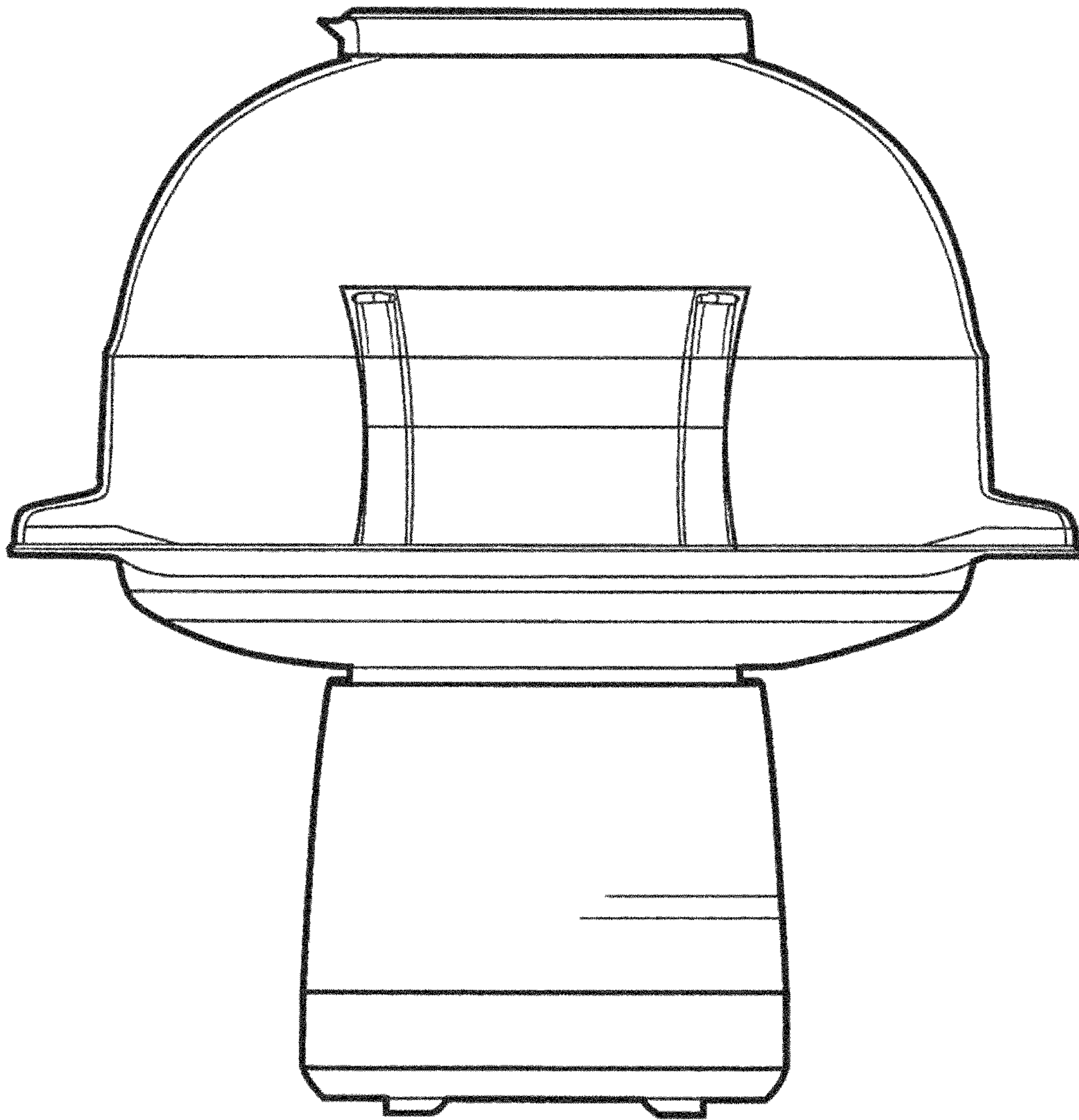


FIG. 1

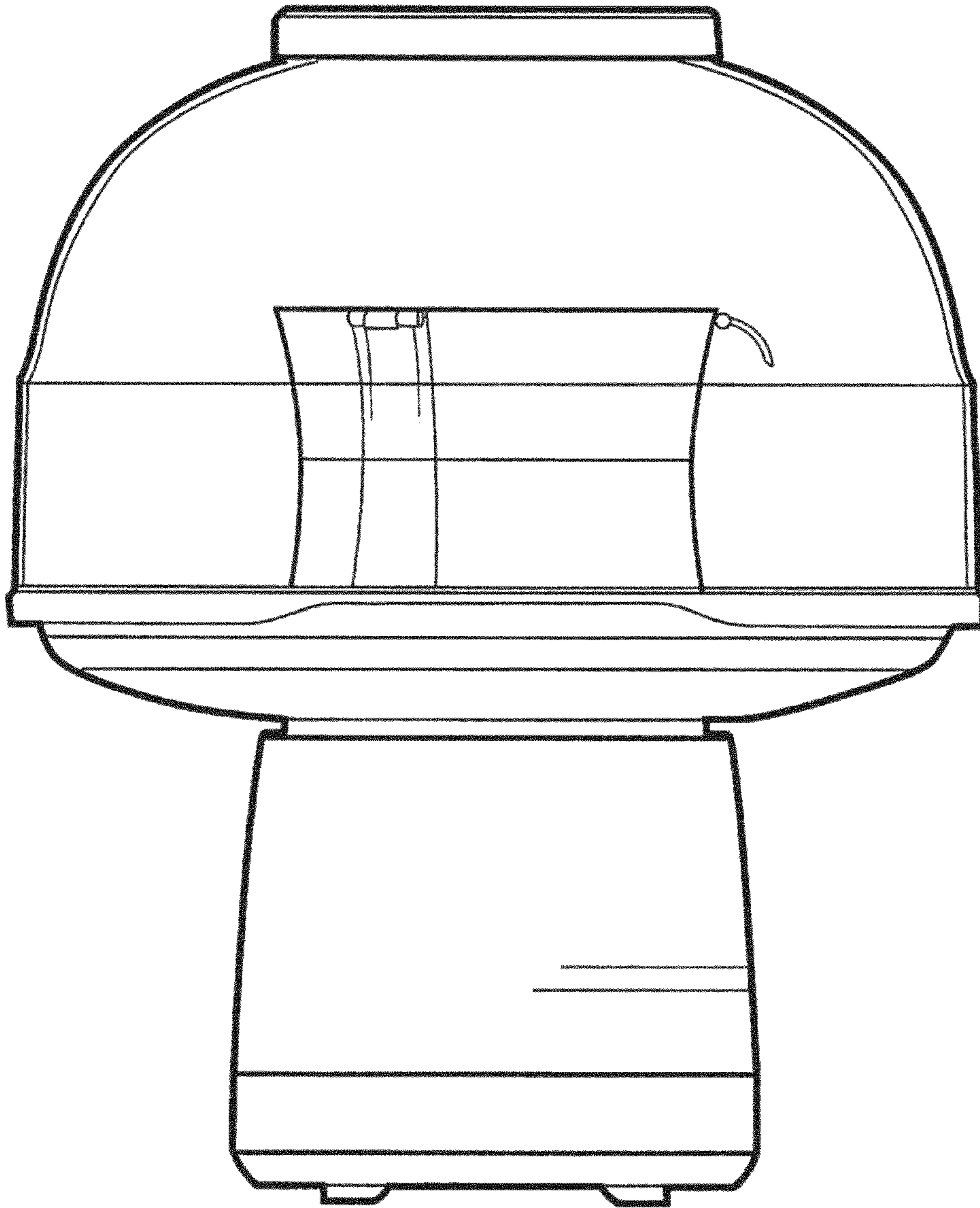


FIG. 2

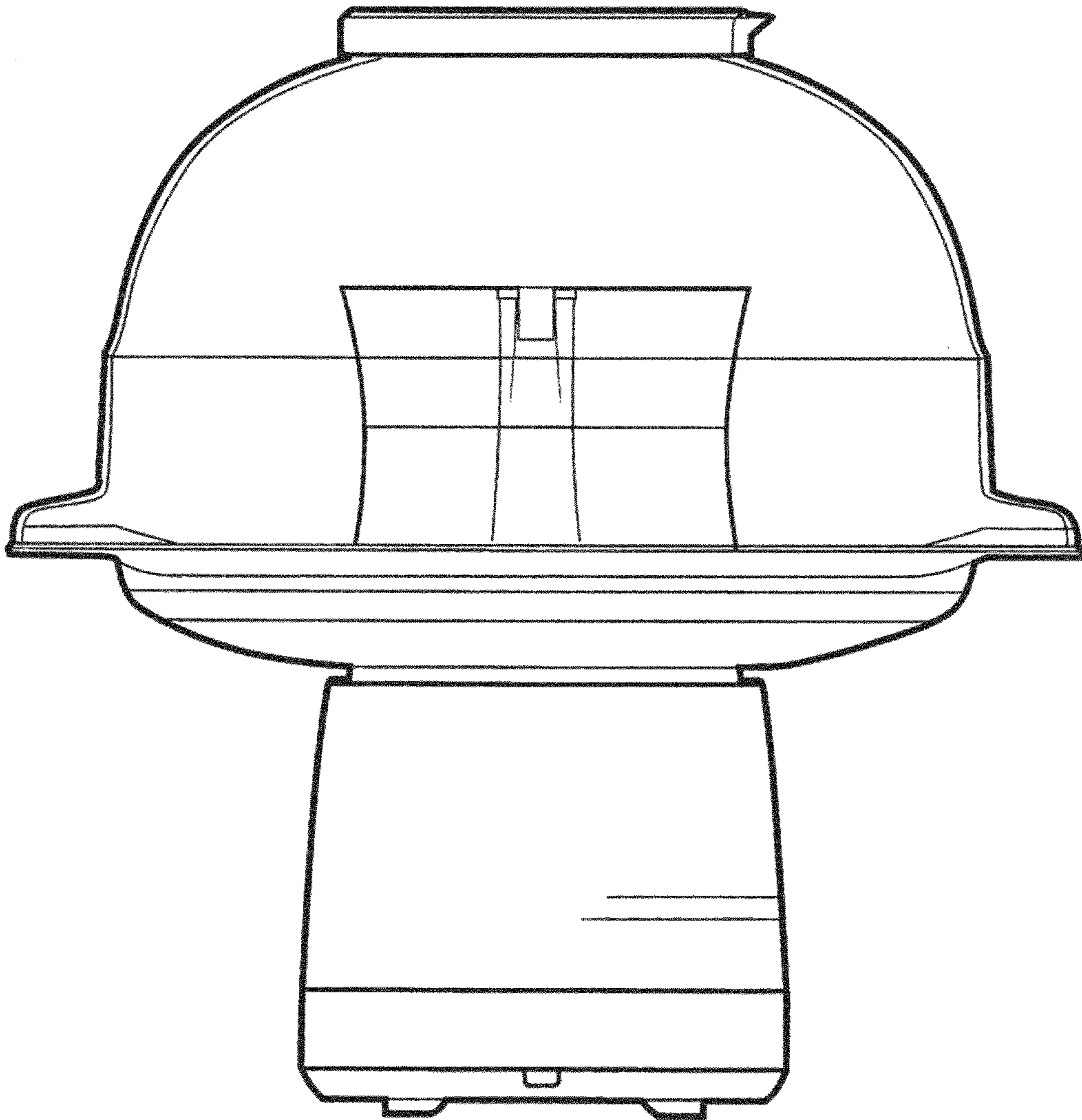


FIG. 3

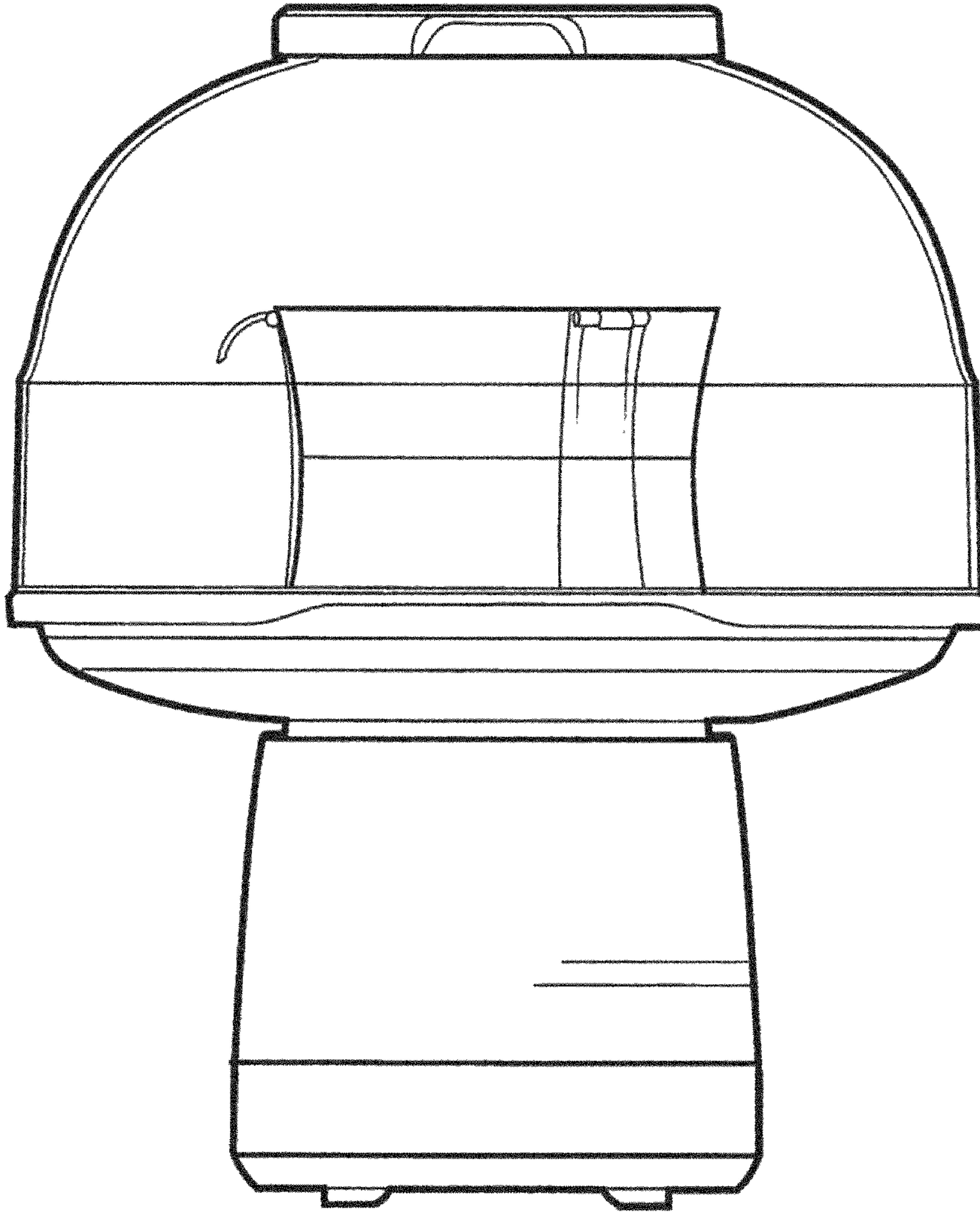


FIG. 4

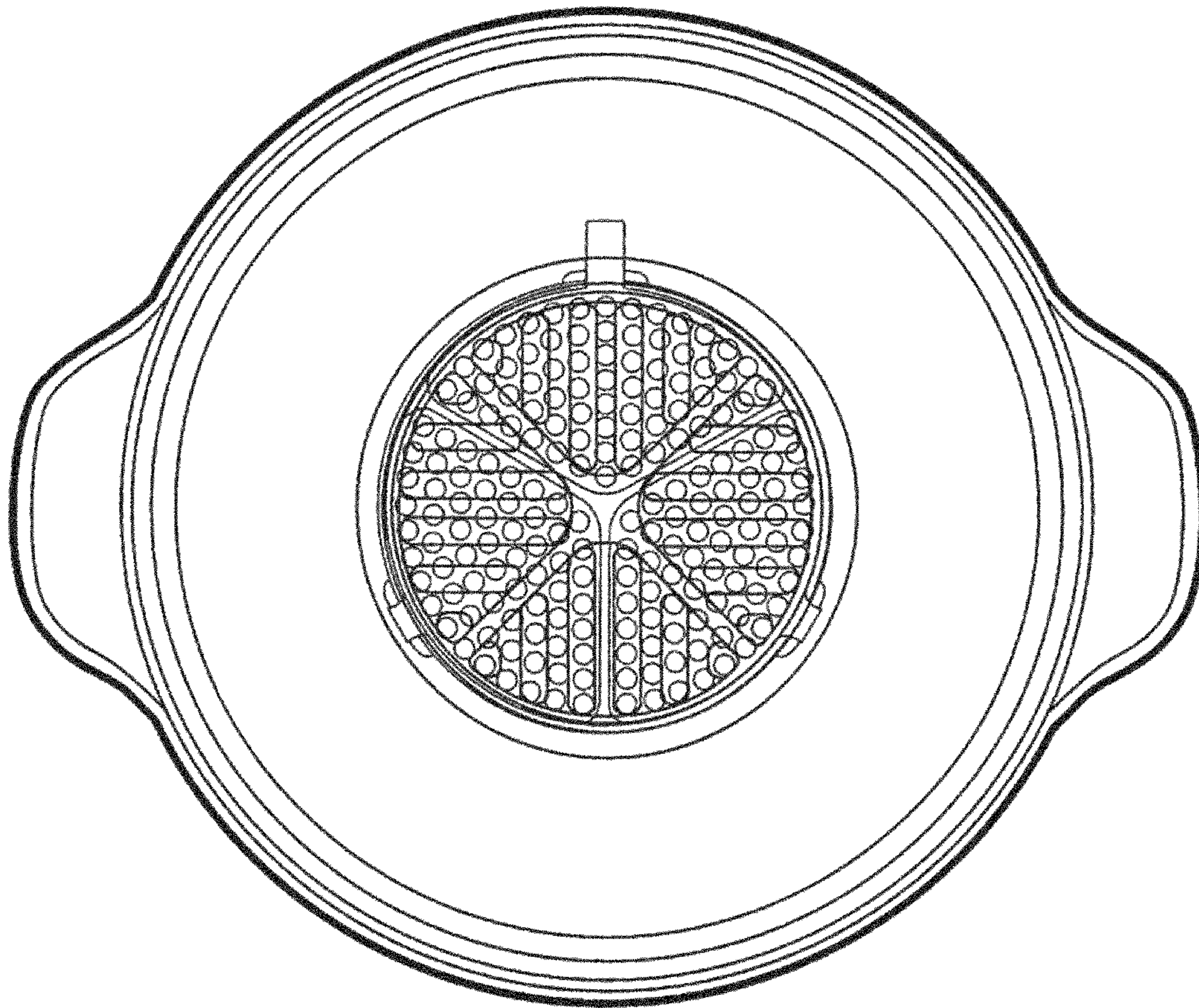


FIG. 5

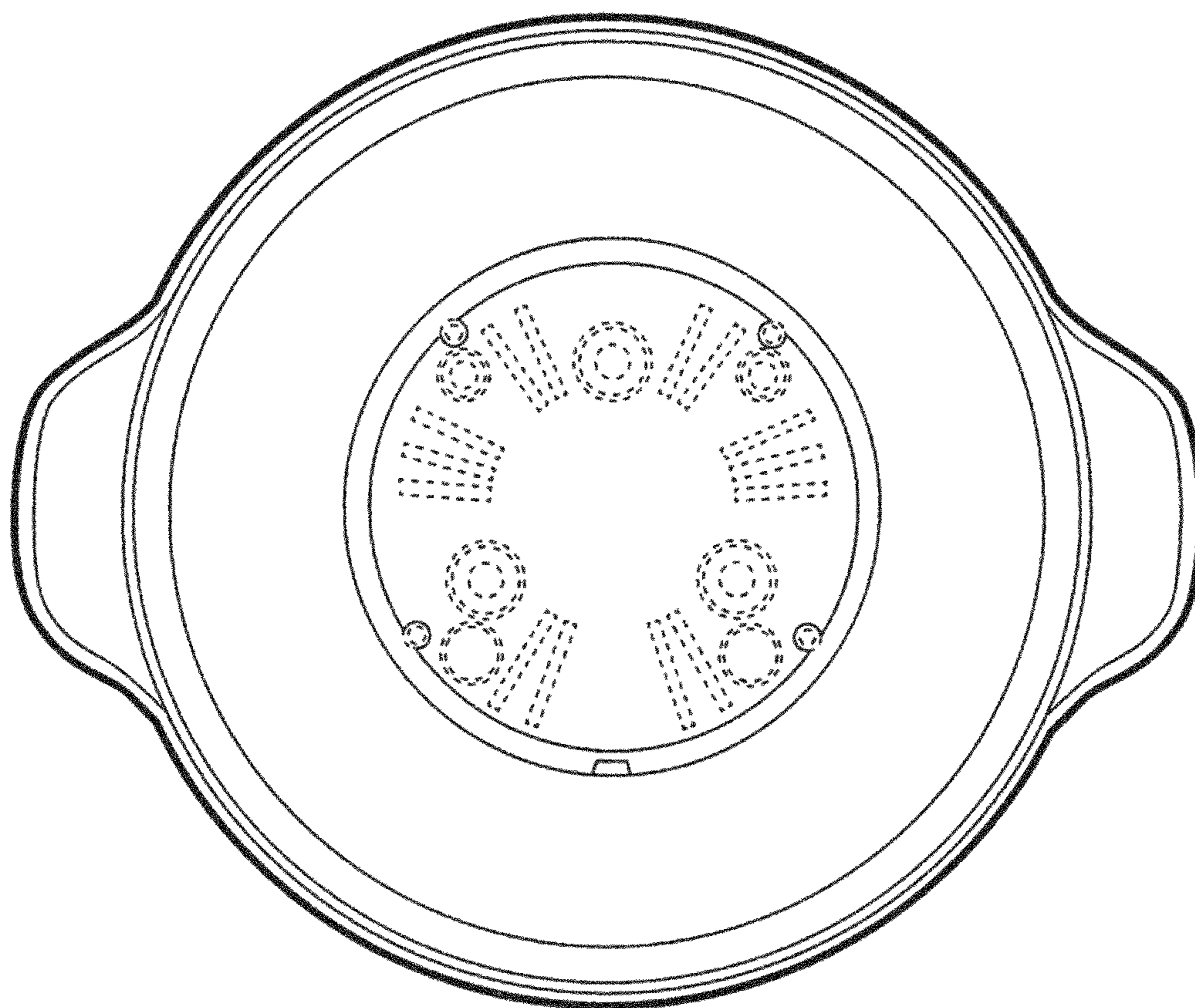


FIG. 6



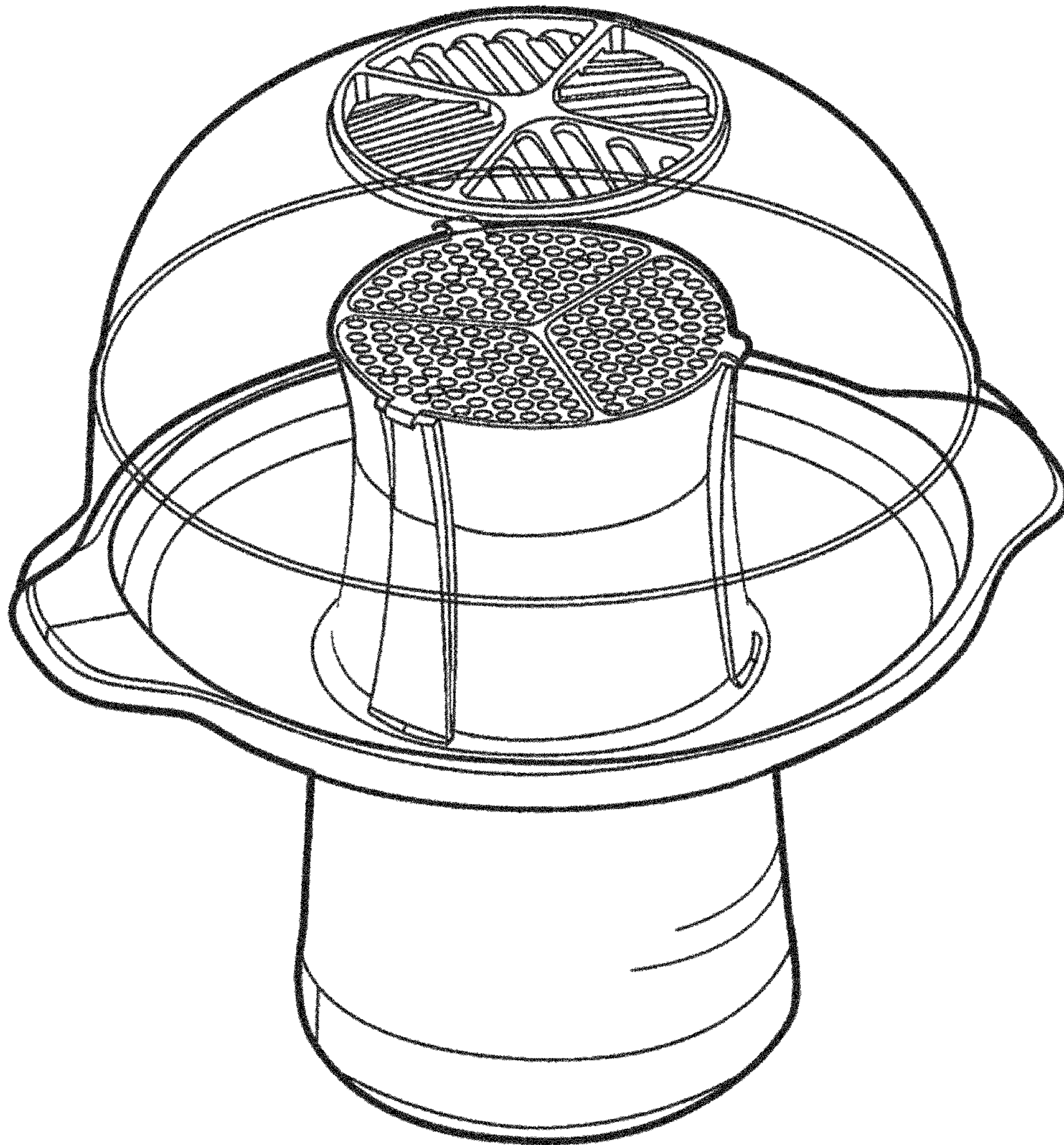


FIG. 7