



US00D723317S

(12) **United States Design Patent**
Manly et al.

(10) **Patent No.:** **US D723,317 S**
(45) **Date of Patent:** **** Mar. 3, 2015**

(54) **BEVERAGE MACHINE**
(71) Applicant: **Keurig, Incorporated**, Reading, MA (US)
(72) Inventors: **David Manly**, Duxbury, MA (US); **Karen Gallagher**, Andover, MA (US); **Scott M. Vogel**, Salem, MA (US); **James E. Shepard**, Marblehead, MA (US); **Stoyan Hristov**, Billerica, MA (US); **Gregory Hurley**, Dracut, MA (US); **Paul K. Metaxatos**, Swampscott, MA (US); **Steffen F. Koury**, Everett, MA (US)

8,210,095 B2 * 7/2012 Brezovnik et al. 99/295
8,250,972 B2 * 8/2012 Santoiemmo 99/323.2
D667,674 S * 9/2012 Wilder et al. D7/306
D674,232 S * 1/2013 Lavy et al. D7/309
D674,233 S * 1/2013 Lavy et al. D7/309
D683,174 S * 5/2013 Regamey D7/306
D696,903 S * 1/2014 Burrows D7/401
8,677,888 B2 * 3/2014 Santoiemmo 99/323.2

(Continued)

FOREIGN PATENT DOCUMENTS

JP D1470496 5/2013
KR 30-0655357 8/2012
TW D117641 6/2007

Primary Examiner — Marianne Pandozzi

(73) Assignee: **Keurig Green Mountain, Inc.**, Waterbury, VT (US)

(74) *Attorney, Agent, or Firm* — Wolf, Greenfield & Sacks, P.C.

(**) Term: **14 Years**

(57) **CLAIM**

(21) Appl. No.: **29/473,453**

The ornamental design for a beverage machine, as shown and described.

(22) Filed: **Nov. 21, 2013**

DESCRIPTION

(51) **LOC (10) Cl.** **07-01**

(52) **U.S. Cl.**
USPC **D7/306; D7/309; D7/311**

(58) **Field of Classification Search**
USPC D7/306-311, 301, 300, 326, 386, D7/397-399; 99/281, 305, 307; 141/247; 222/129.1, 129.3, 145.6; D24/197
See application file for complete search history.

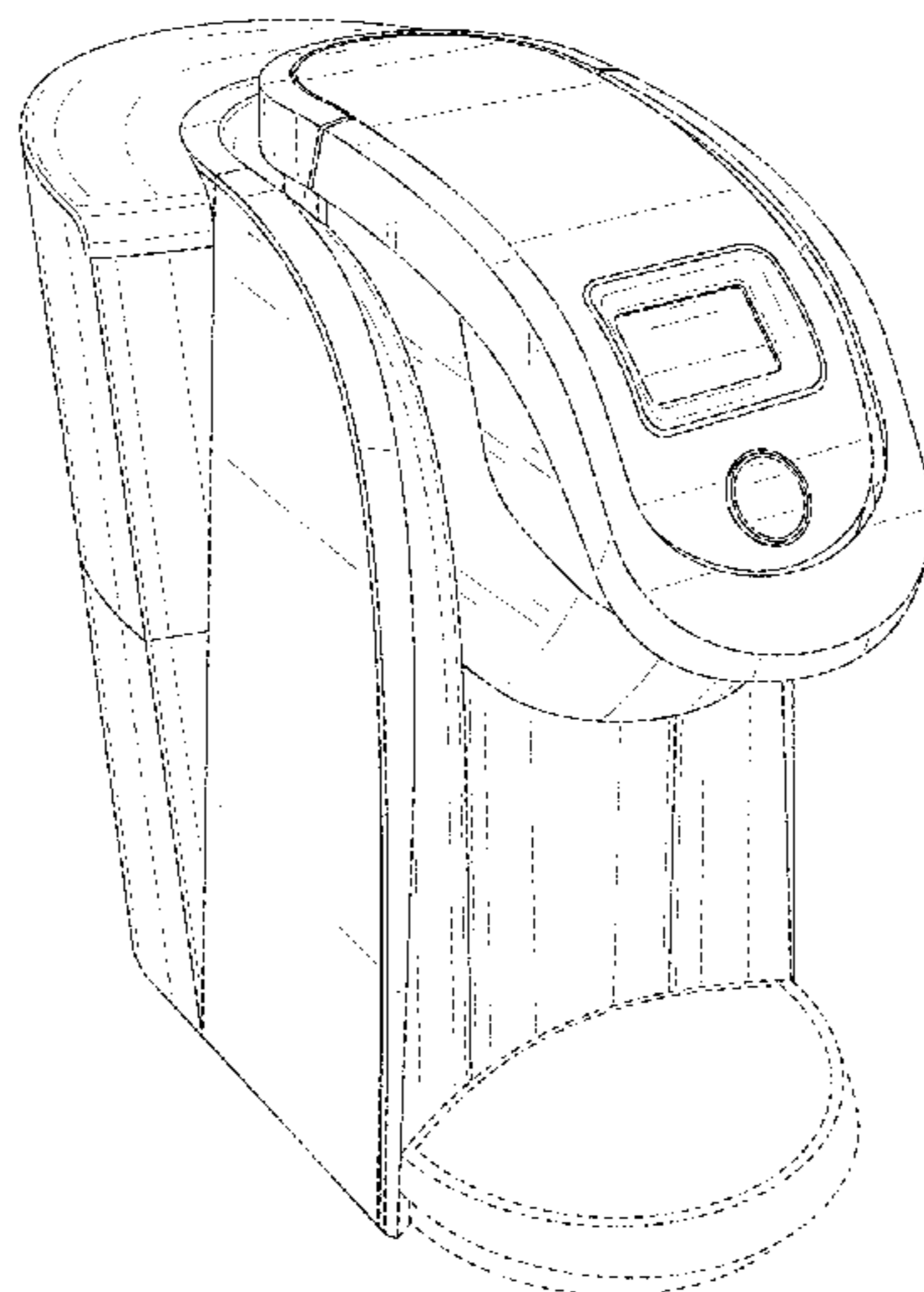
FIG. 1 is a top, front, left perspective view of the beverage machine;
FIG. 2 is a top, front, right perspective view of the FIG. 1 embodiment;
FIG. 3 is a top, rear, right perspective view of the FIG. 1 embodiment;
FIG. 4 is a top, rear, left perspective view of the FIG. 1 embodiment;
FIG. 5 is a front view of the FIG. 1 embodiment;
FIG. 6 is a rear view of the FIG. 1 embodiment;
FIG. 7 is a left side view of the FIG. 1 embodiment;
FIG. 8 is a right side view of the FIG. 1 embodiment; and,
FIG. 9 is a top view of the FIG. 1 embodiment.
Features shown in dashed lines form no part of the claimed invention.

(56) **References Cited**

U.S. PATENT DOCUMENTS

D513,572 S * 1/2006 Schaffeld et al. D7/309
D538,577 S * 3/2007 Glucksman et al. D7/306
D544,299 S * 6/2007 Schaffeld et al. D7/397
D608,132 S * 1/2010 Bertolina D7/309
D637,859 S * 5/2011 Orkney et al. D7/306
D649,390 S * 11/2011 Santoiemmo D7/306
D663,158 S * 7/2012 Jacquet et al. D7/393

1 Claim, 9 Drawing Sheets



US D723,317 S

Page 2

(56)

References Cited

U.S. PATENT DOCUMENTS

			2007/0056994	A1*	3/2007	Woodnorth et al.	222/221
			2008/0134902	A1*	6/2008	Zimmerman et al.	99/302 R
			2010/0024658	A1*	2/2010	Jacobs et al.	99/302 R
D702,984	S	*	4/2014	Hanneson et al.		D7/306	
8,833,241	B2	*	9/2014	Santoiemmo		99/323.2	

* cited by examiner

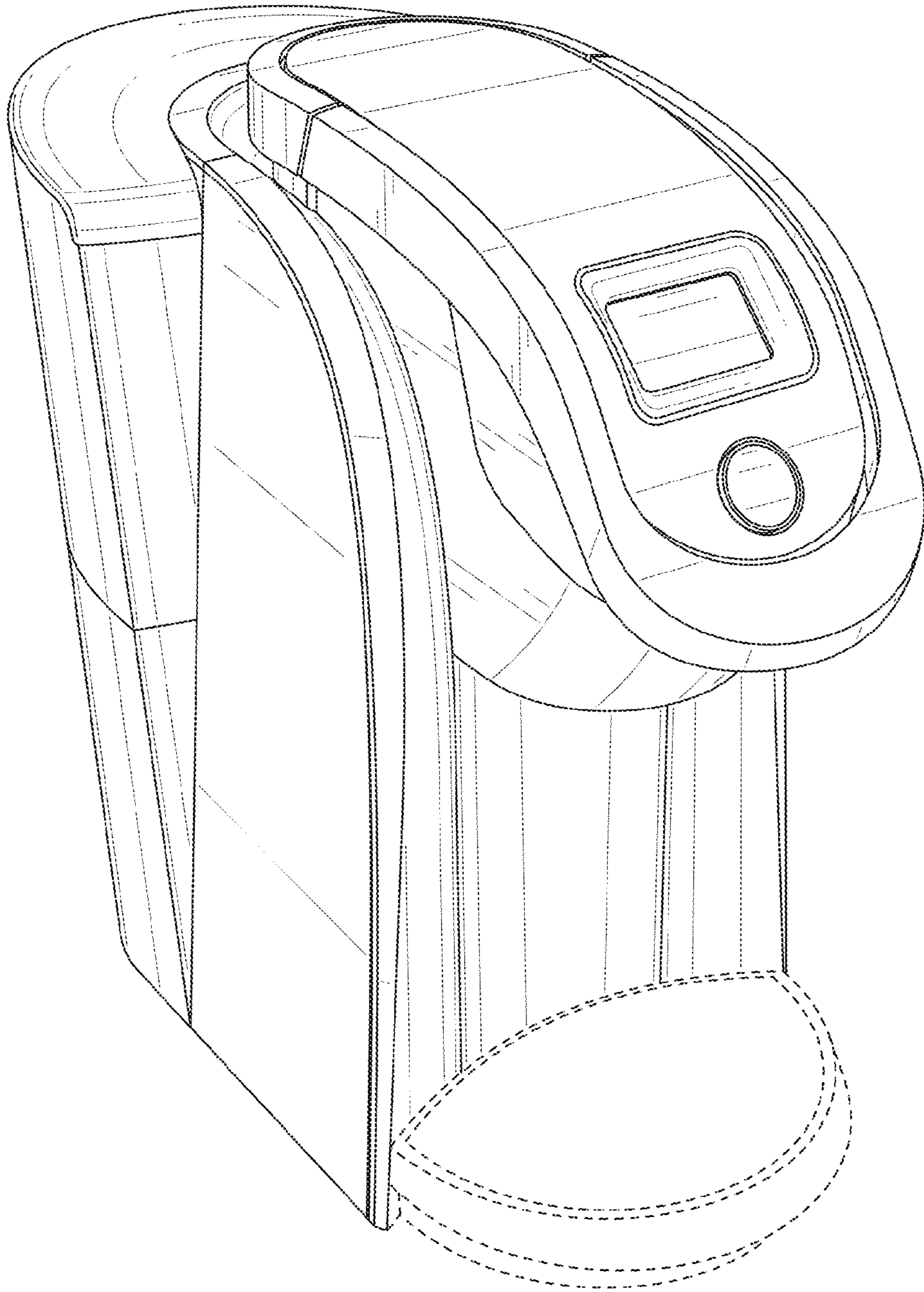


FIG. 1

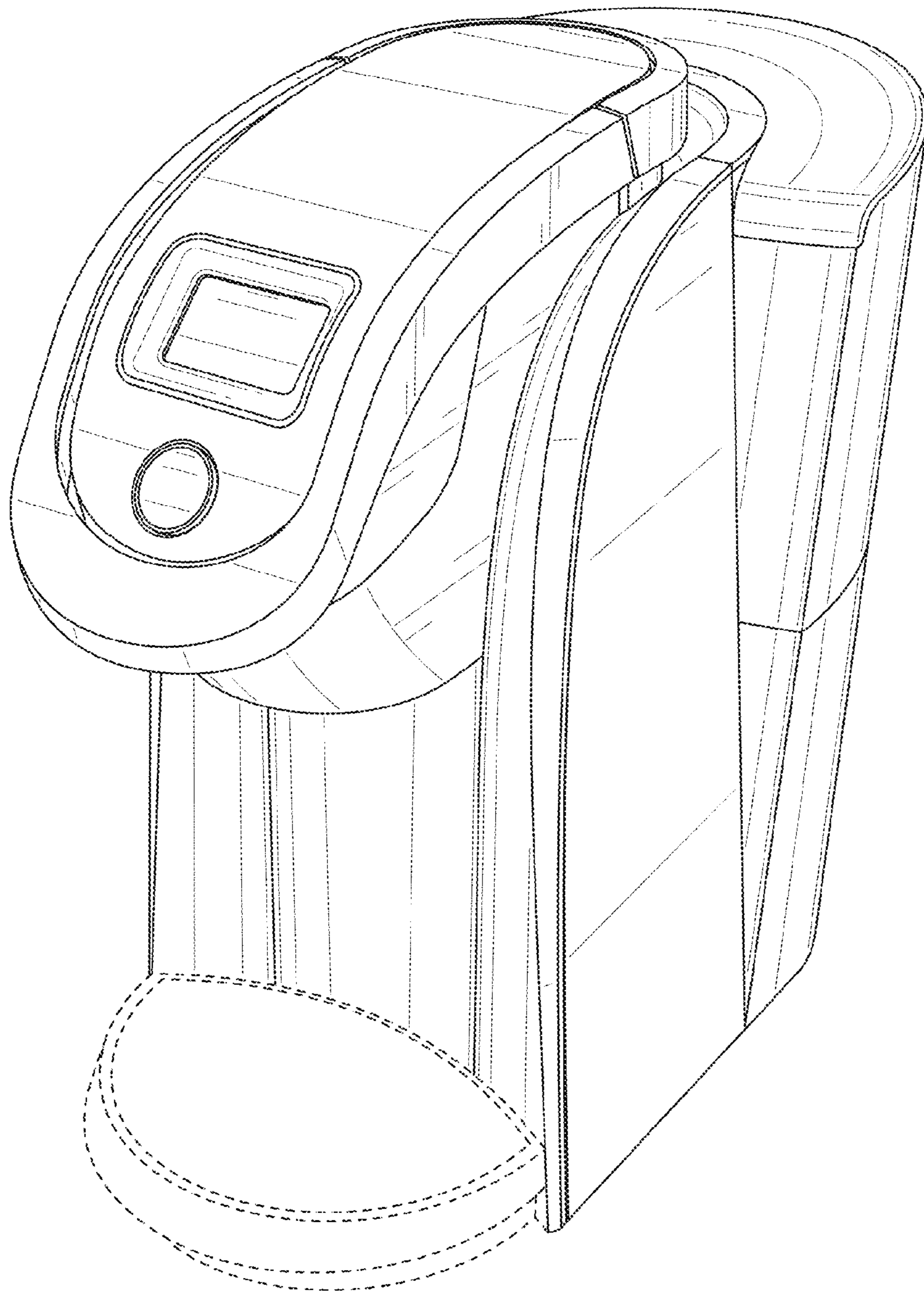


FIG. 2

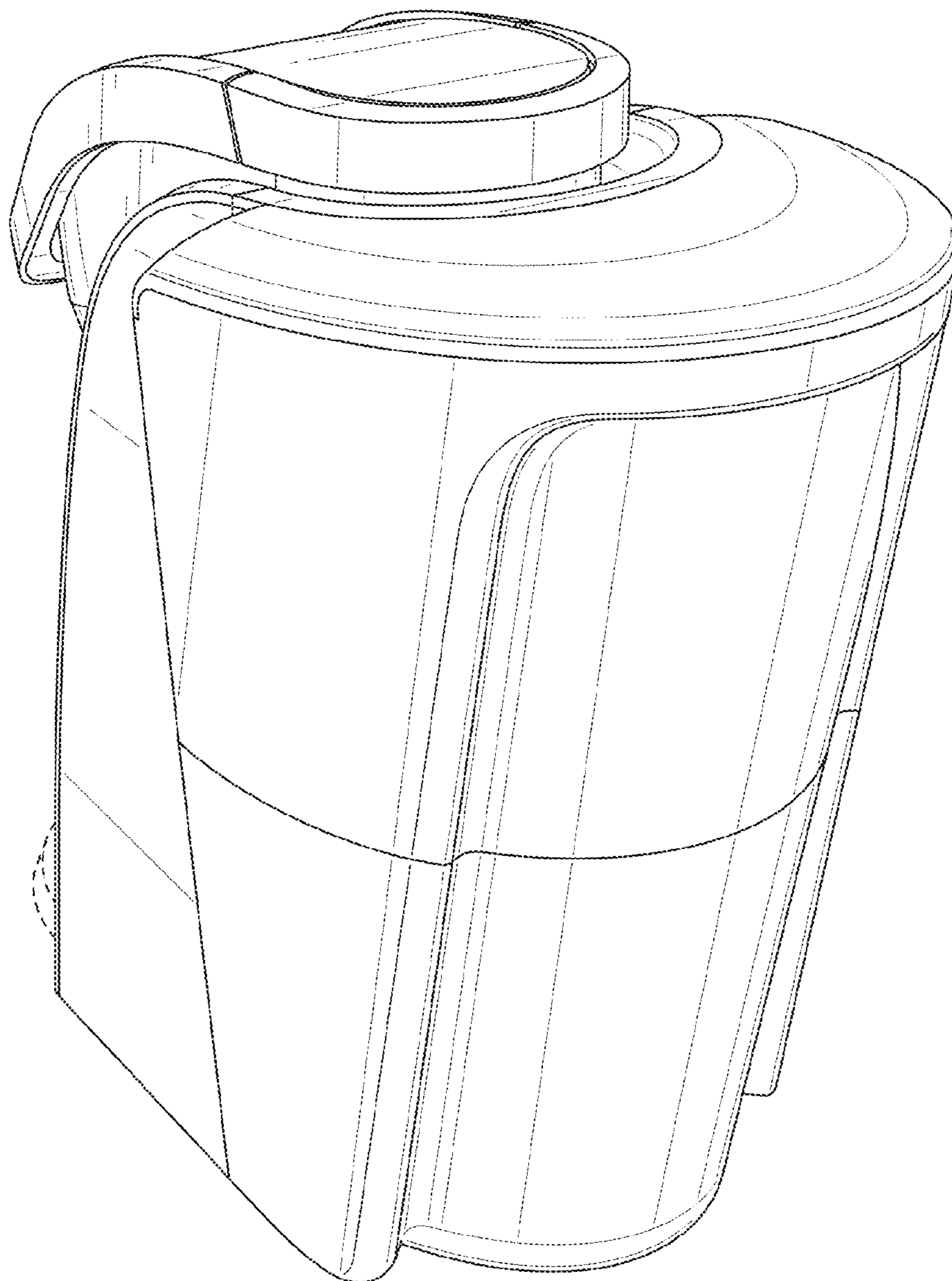


FIG. 3

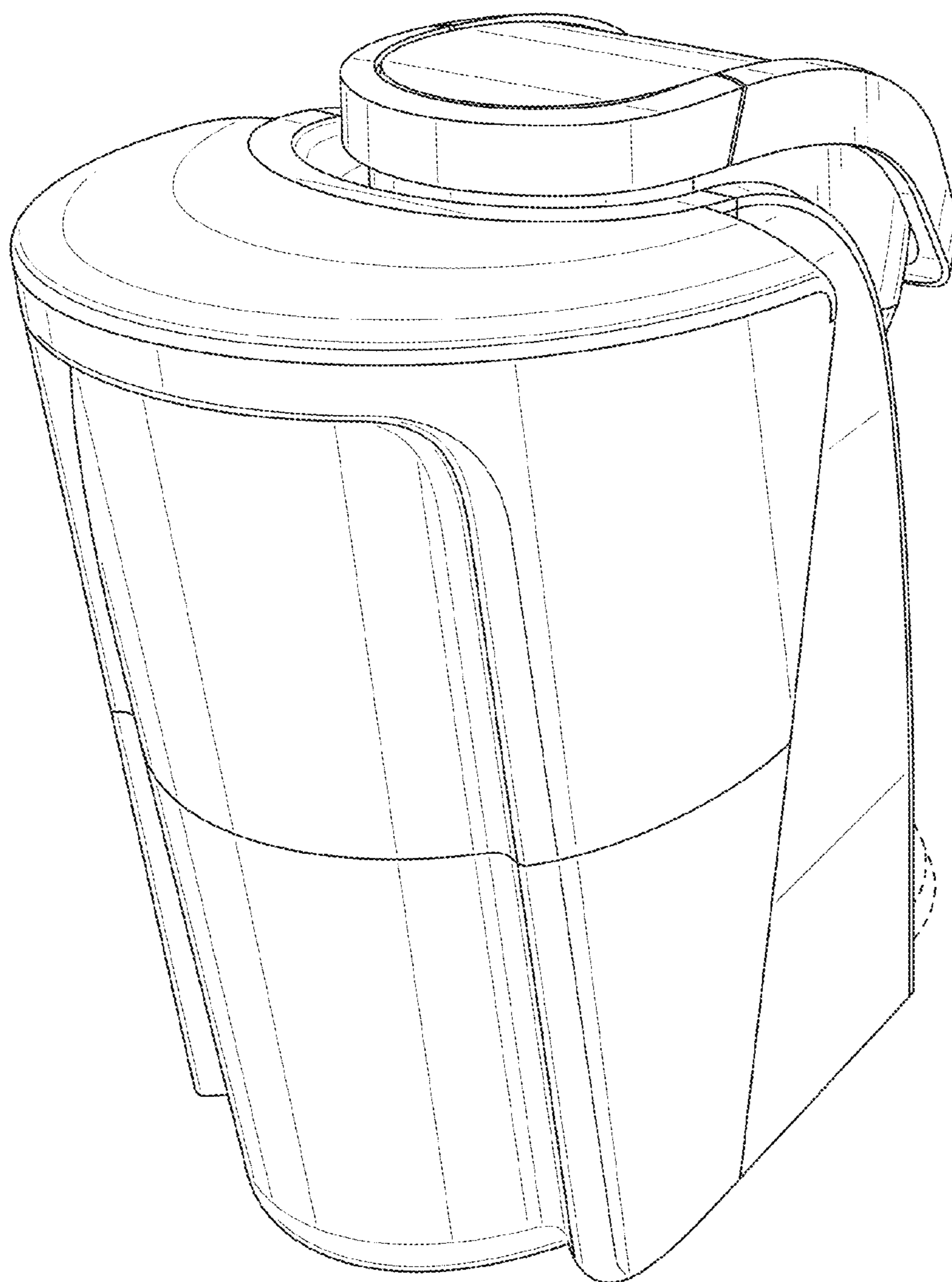


FIG. 4

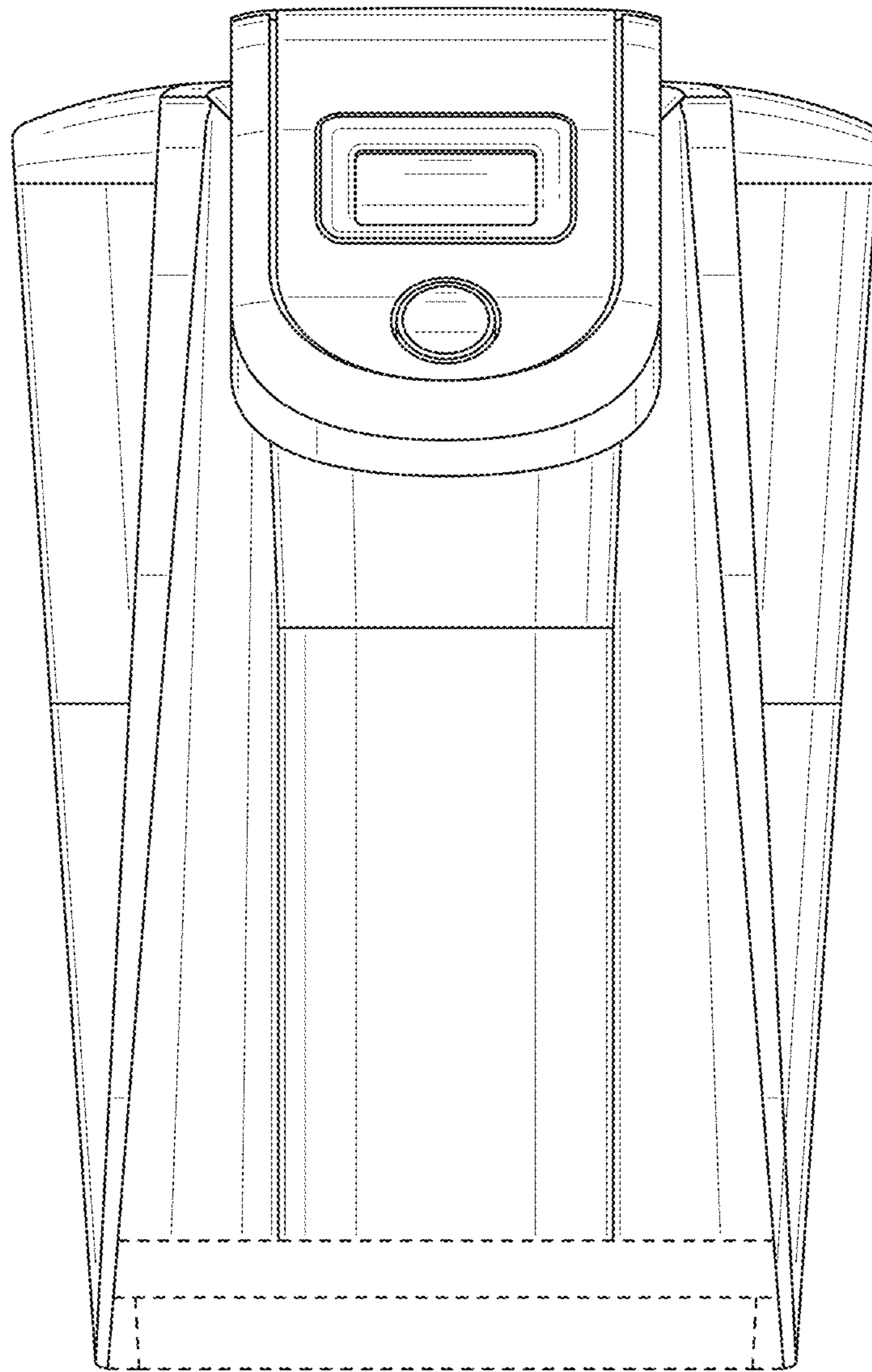


FIG. 5

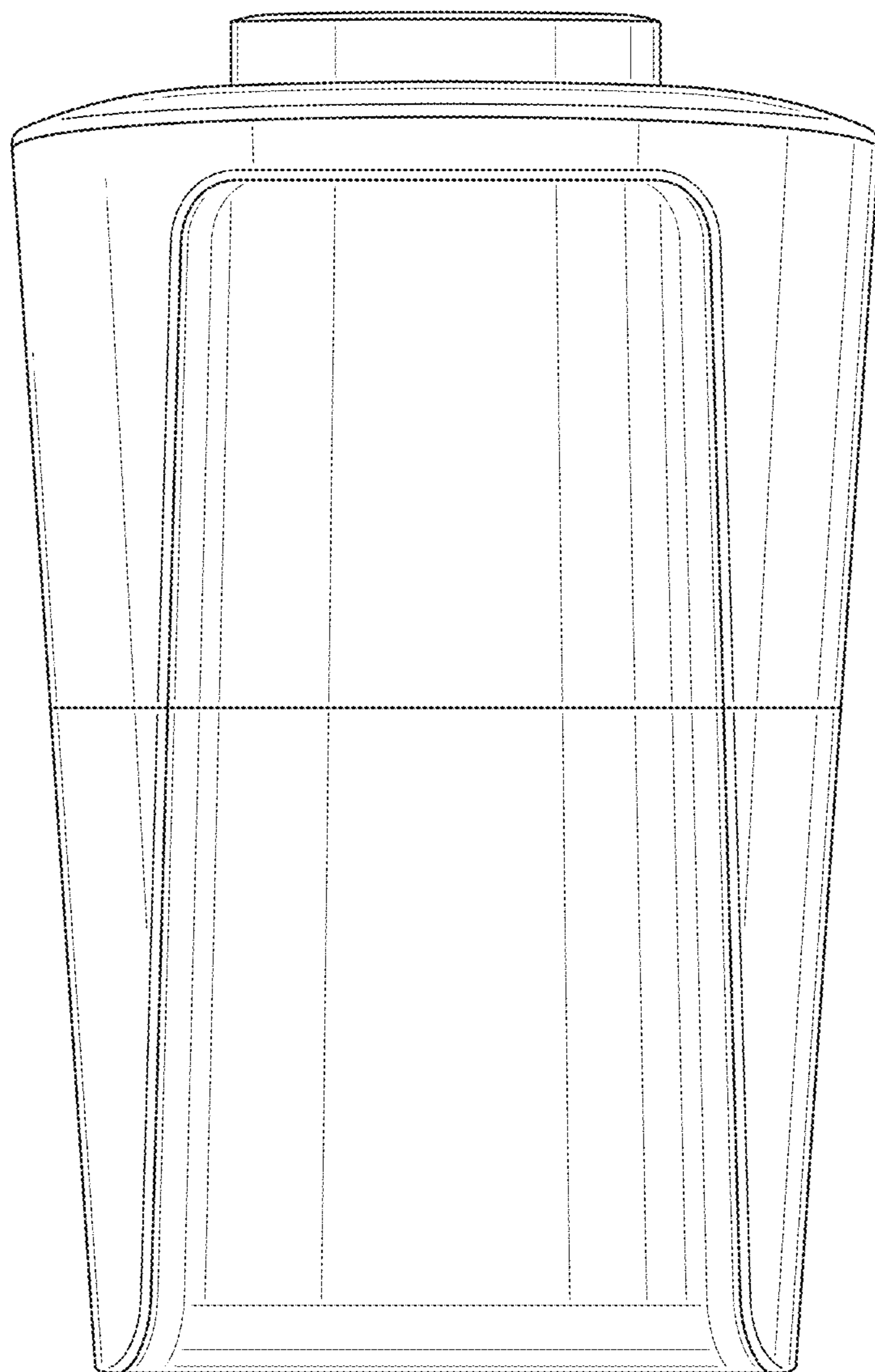


FIG. 6

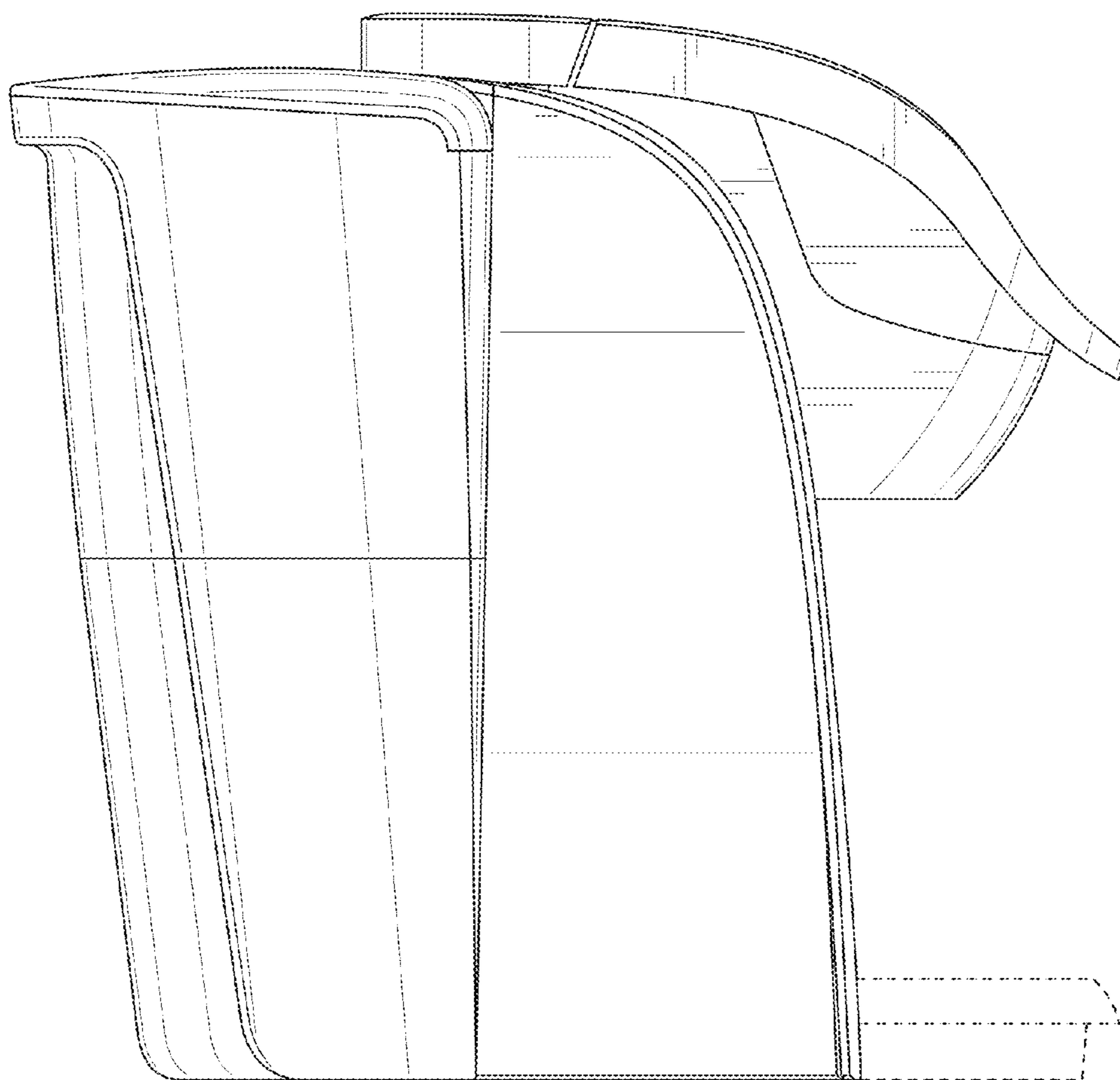


FIG. 7

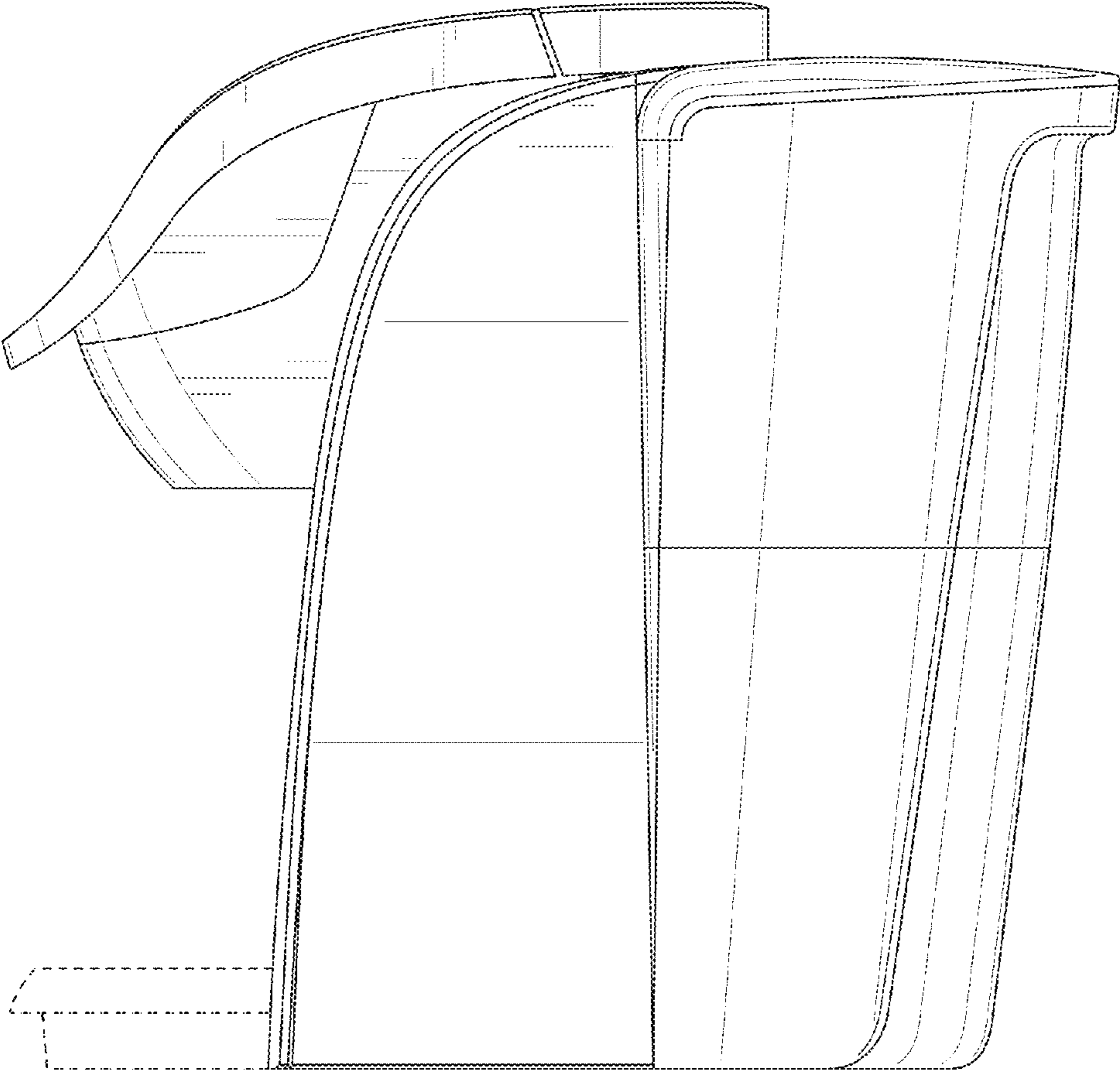


FIG. 8

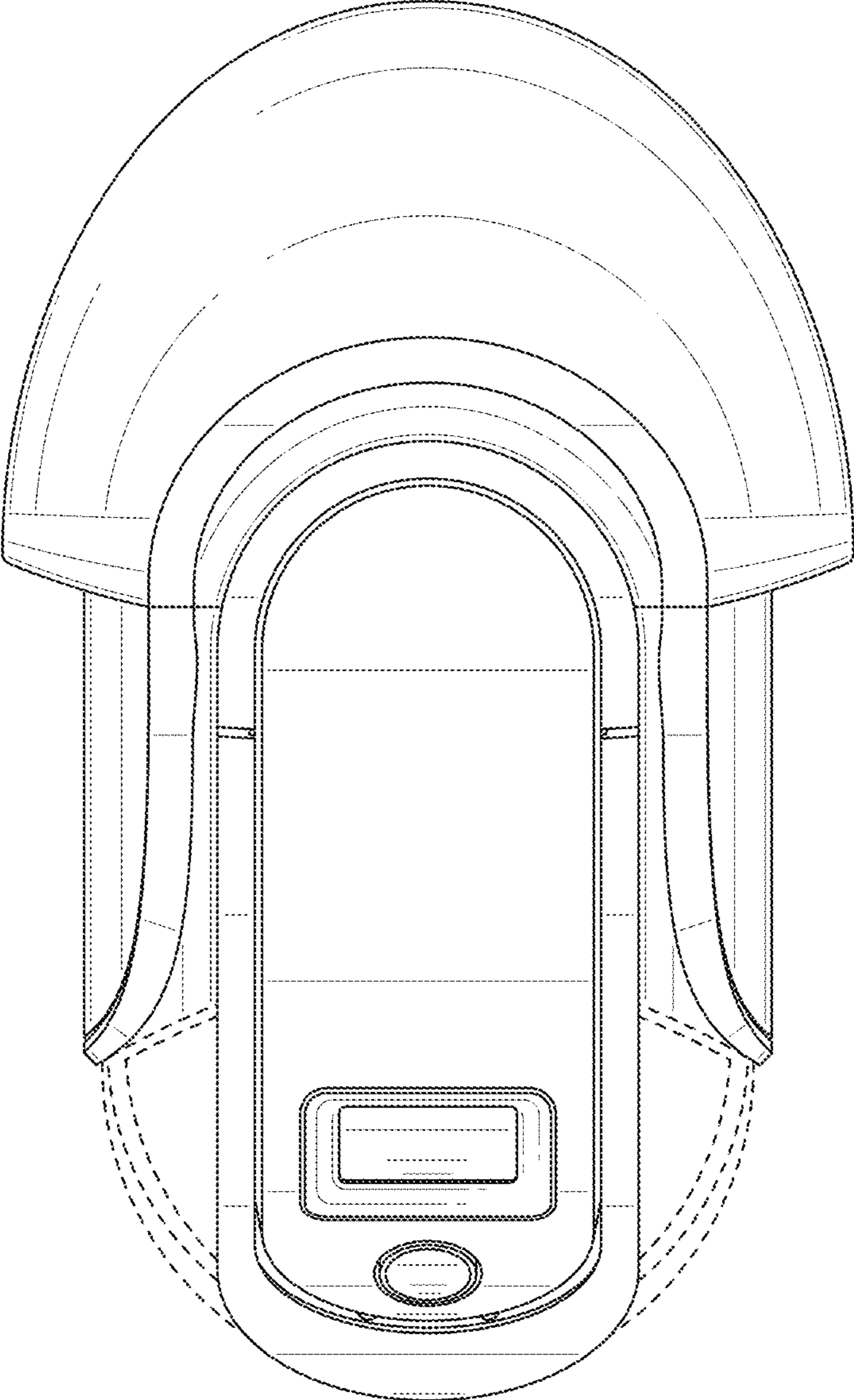


FIG. 9